



US00D400383S

United States Patent [19]

Fricano et al.

[11] Patent Number: Des. 400,383

[45] Date of Patent: **Nov. 3, 1998

[54] OVERHEAD STORAGE UNIT

[75] Inventors: **Nicholas J. Fricano**, Grand Haven;
Daniel C. K. West, Holland, both of Mich.

[73] Assignee: **Haworth, Inc.**, Holland, Mich.

[**] Term: **14 Years**

[21] Appl. No.: **63,577**

[22] Filed: **Nov. 15, 1996**

[51] LOC (6) Cl. **06-04**

[52] U.S. Cl. **D6/559; D6/513**

[58] Field of Search D7/559, 512, 513,
D7/575, 553, 407, 572; 16/289; 211/4,
10, 11, 13, 40, 49.1, 86-87; 312/8, 10,
42, 294, 297, 321, 328, 319.4, 327, 319.2;
D9/306

[56] **References Cited**

U.S. PATENT DOCUMENTS

D. 280,480	9/1985	Bromley	D6/559
287,068	10/1883	Tyler .	
D. 294,896	3/1988	Weiss	D6/559 X
D. 298,010	10/1988	Smith	D6/559 X
D. 319,549	9/1991	van der Burg	D6/559 X
D. 330,120	10/1992	Temple et al.	D6/559 X
436,481	9/1890	James .	
586,476	7/1897	Coates	16/289 X
658,310	9/1900	Babb .	
1,964,578	6/1934	Hunter .	
2,301,856	11/1942	Conwell .	
2,551,305	5/1951	Tompkins .	
4,103,980	8/1978	Silva	D6/559 X
4,154,356	5/1979	Schieve	D6/559 X
4,167,298	9/1979	Plattner .	
4,798,425	1/1989	Armstrong et al. .	
5,172,969	12/1992	Reuter et al. .	
5,257,638	11/1993	Alvemarker .	

5,409,308 4/1995 Reuter et al. .

FOREIGN PATENT DOCUMENTS

2 091 715 1/1972 France .

OTHER PUBLICATIONS

The Complete Häfele, Swing-Up Fittings brochure, (4 pages).
Speciale Orgatec 1994 brochure, Haworth Europe, Oct. 1994, (3 pages).
Sitag International brochure, Orgatec Oct. 1996, (3 pages).
Sacea Orgatec 1996 brochure, Sacea spa, Oct. 1996, (3 pages).
TNT "The office that evolves" brochure, Orgatec Oct. 1996, Steelcase Strafor, (3 pages).

Primary Examiner—Pamela J. Burgess
Attorney, Agent, or Firm—Flynn, Thiel, Boutell & Tanis, P.C.

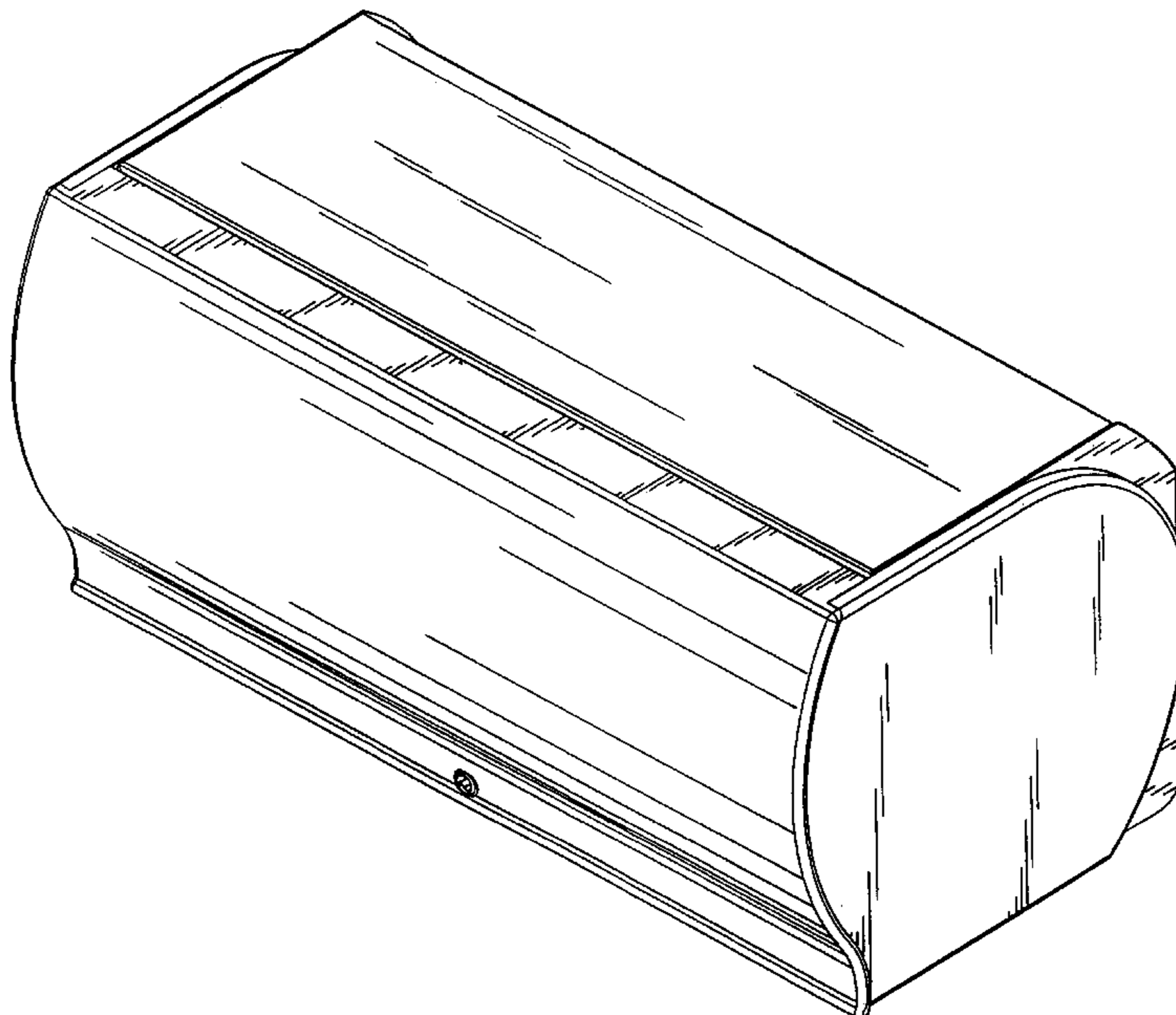
[57] **CLAIM**

The ornamental design of a overhead storage unit, as shown and described.

DESCRIPTION

FIG. 1 is a front perspective view of an overhead storage unit in a closed position according to our design;
FIG. 2 is a top plan view thereof;
FIG. 3 is a front elevational view thereof;
FIG. 4 is a bottom view thereof;
FIG. 5 is a rear elevational view thereof;
FIG. 6 is an end elevational view of the right side of the cabinet, the left side elevational view being identical thereto except for being a mirror image thereof; and,
FIG. 7 is a front perspective view thereof, corresponding to FIG. 1, but showing the door of the cabinet in an opened position.

1 Claim, 7 Drawing Sheets



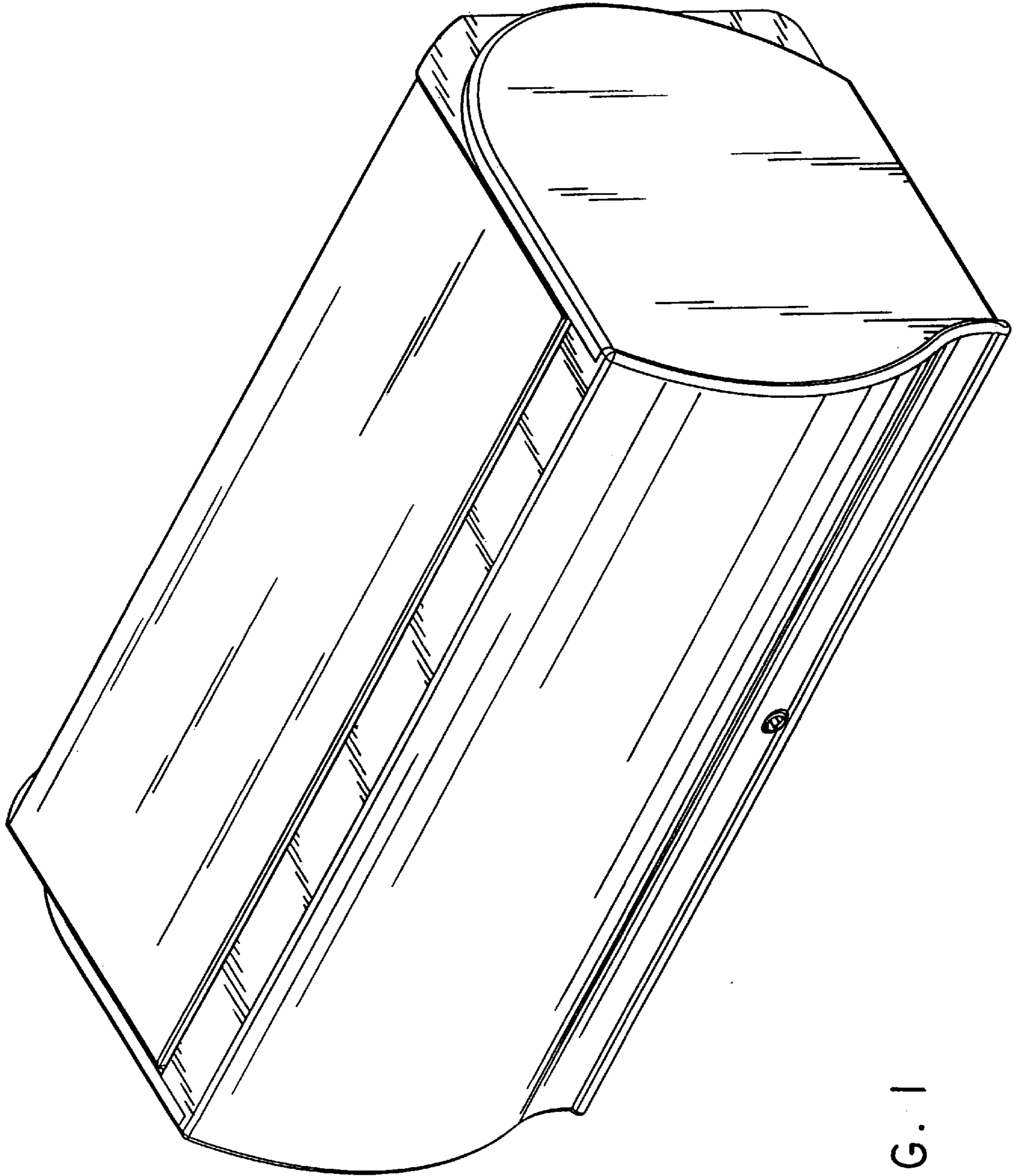


FIG. 1

FIG. 2



FIG. 3

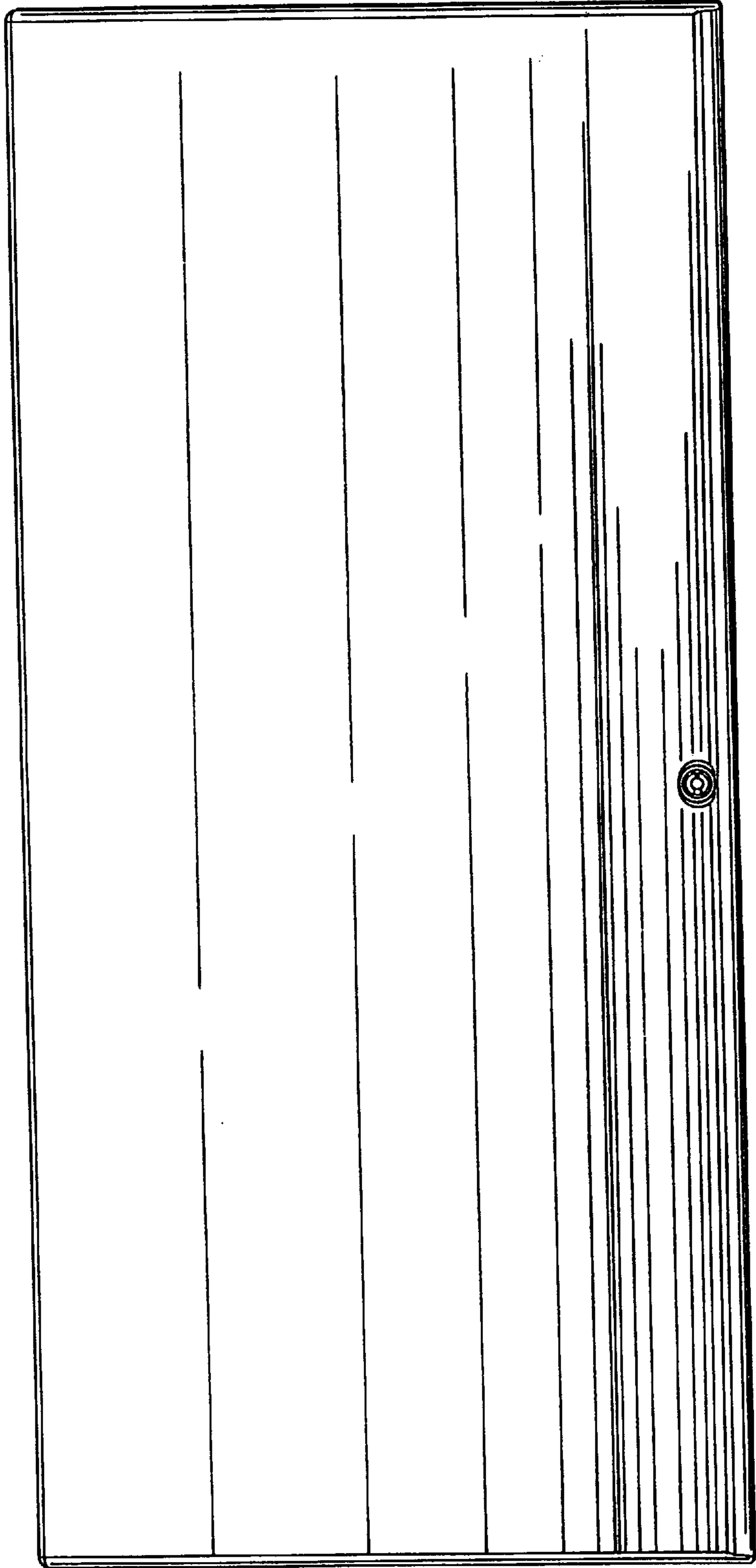


FIG. 4

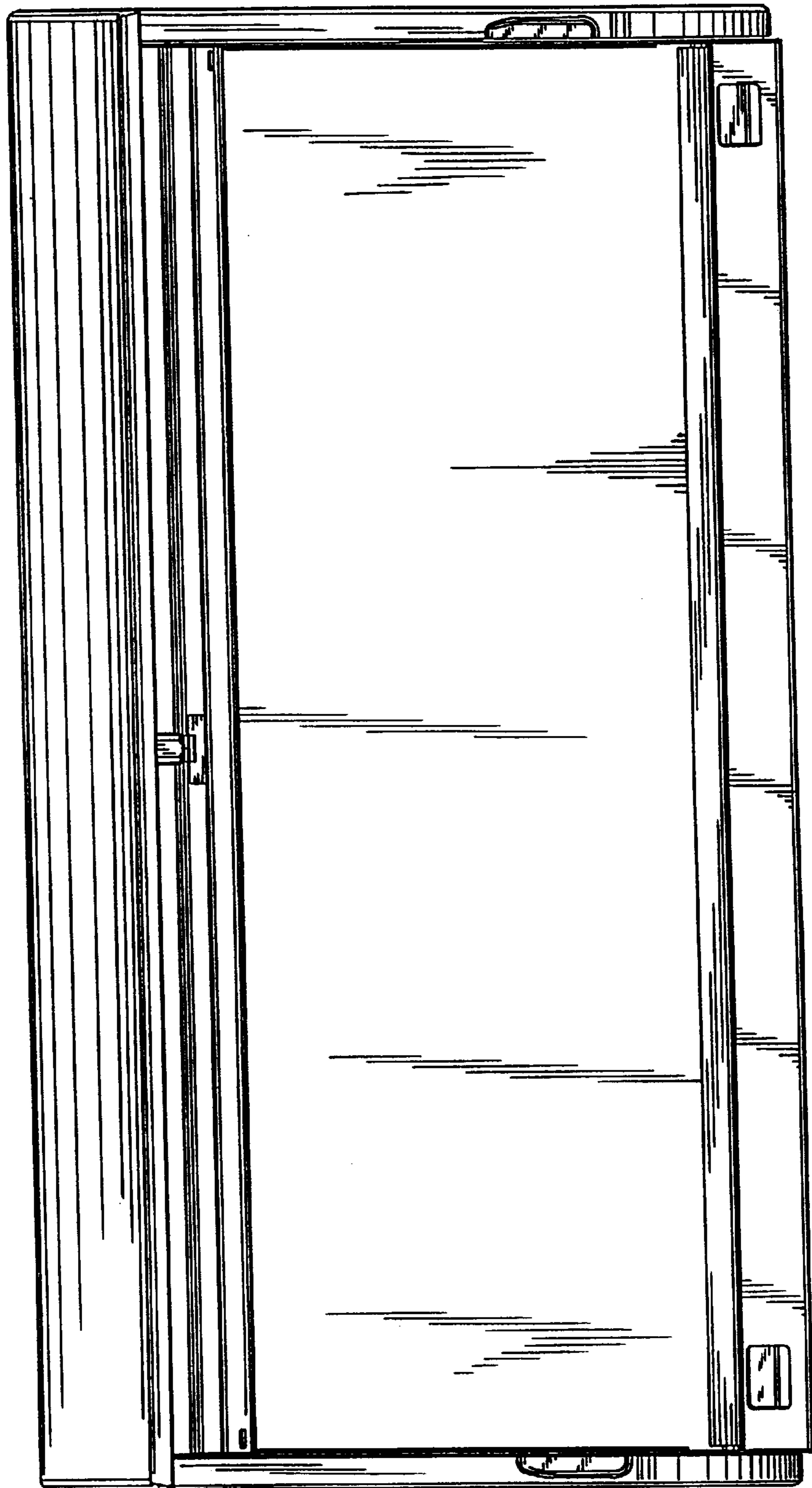
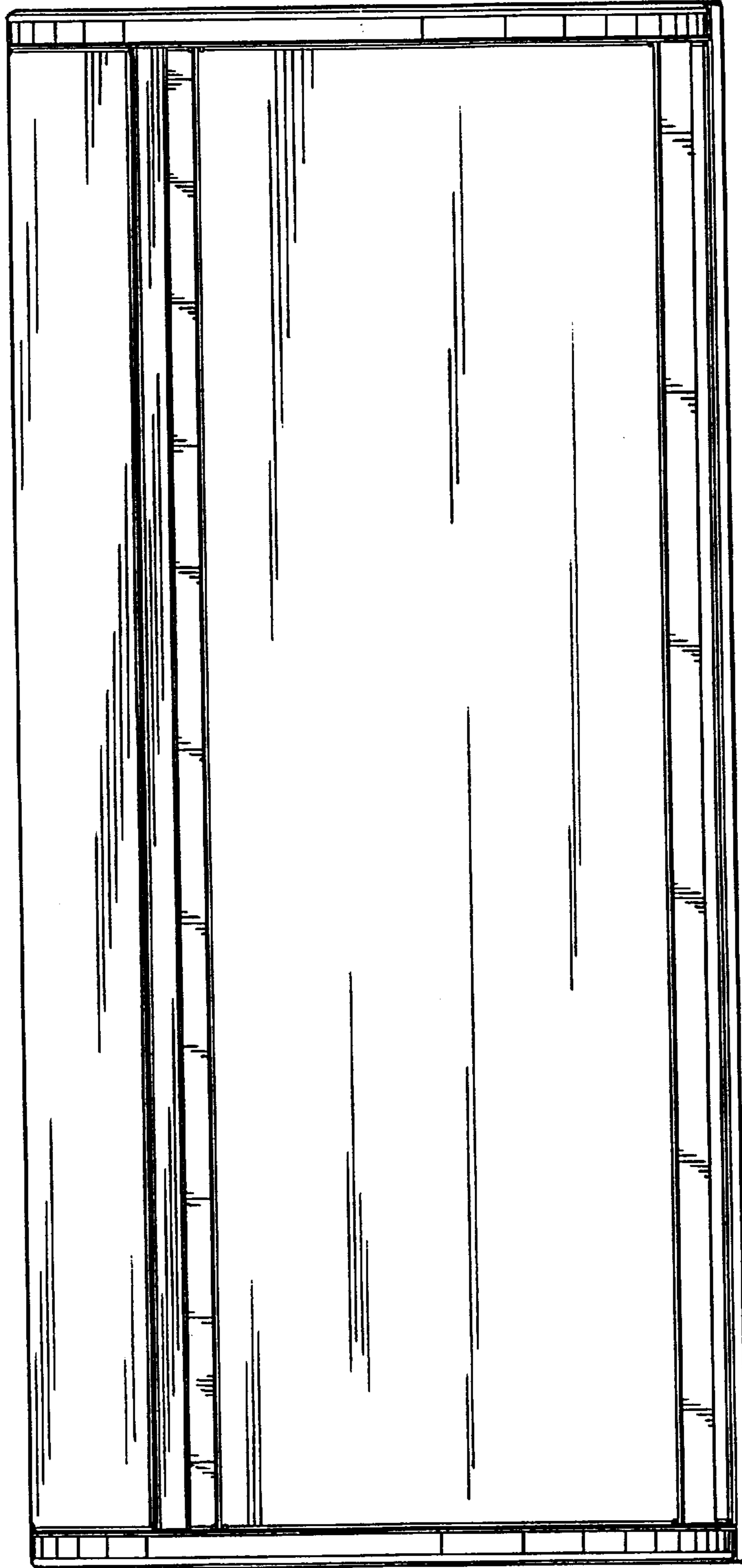


FIG. 5



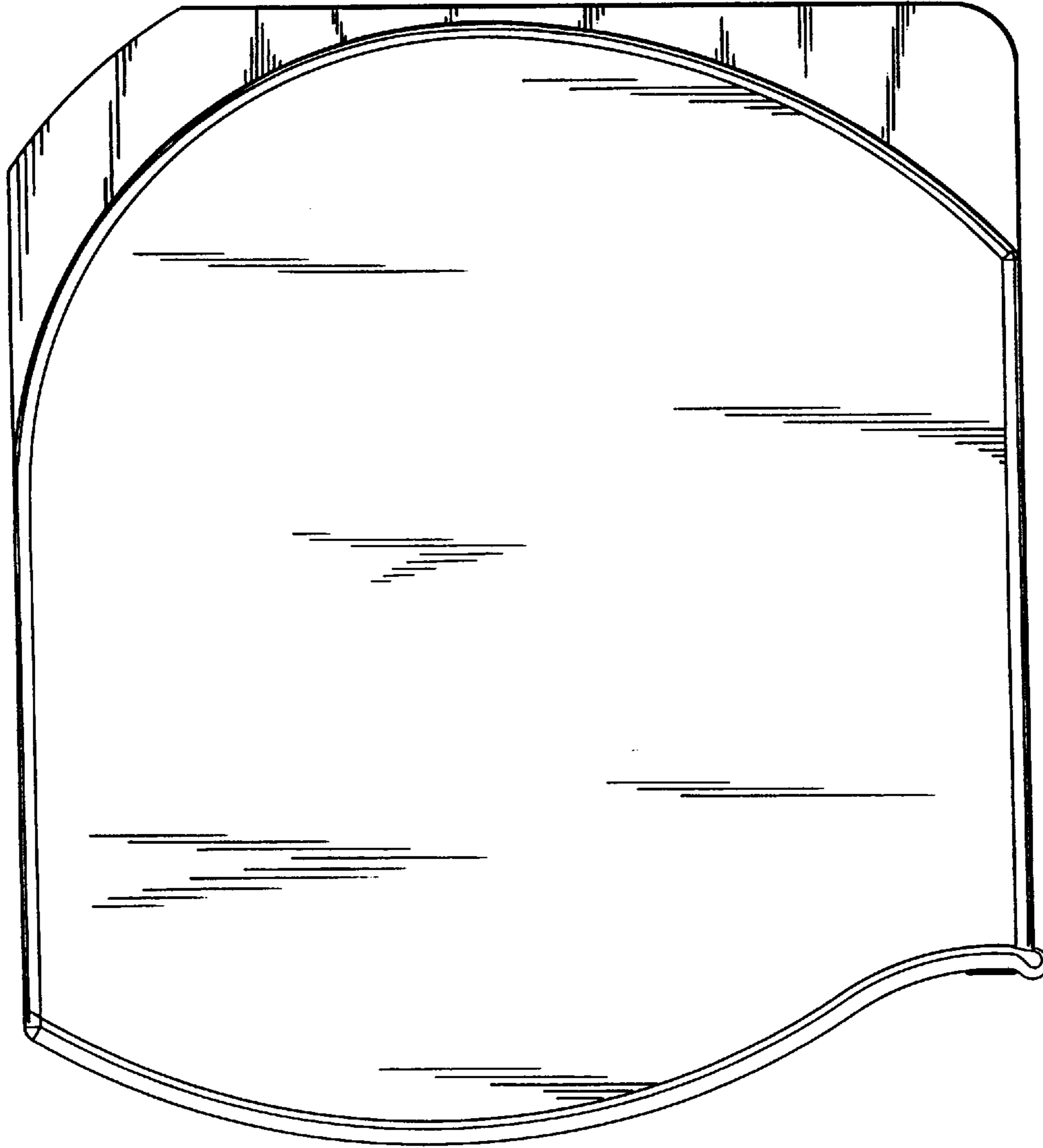


FIG. 6

FIG. 7

