



US00D400381S

United States Patent [19]

Solowiej et al.

[11] **Patent Number: Des. 400,381**

[45] **Date of Patent: **Nov. 3, 1998**

[54] **POST FOR TOWEL BAR**

[76] Inventors: **Leszek Solowiej**, 3 Independence Ct., Montville, N.J. 07045; **Glenn Moore**, 51 Charcoal Rd., Newfouldcave, N.J. 07435

[**] Term: **14 Years**

[21] Appl. No.: **65,671**

[22] Filed: **Nov. 18, 1996**

[51] **LOC (6) Cl. 06-04**

[52] **U.S. Cl. D6/550**

[58] **Field of Search** D6/550, 546-549, D6/524; 211/13.1, 86-87, 16, 44, 105.1, 123, 182, 183; 248/200, 231.91, 251, 222.1, 222.3; D8/21, 382, 308

[56] **References Cited**

U.S. PATENT DOCUMENTS

D. 66,320	12/1924	Baker	D6/549
D. 180,811	8/1957	Schoenfeld	D6/549
D. 188,714	8/1960	Bonistall	D6/550
D. 300,998	5/1989	Gresens et al.	D6/524

D. 329,347	9/1992	Gomes	D6/549
D. 357,841	5/1995	Lehn et al.	D6/549
1,769,326	9/1930	Weis	D6/549 X
2,956,767	10/1960	Unetic	D6/549 X

OTHER PUBLICATIONS

Tanic Brochure #6018 Towel Bar Post, Aug. 1995.
Tanic Brochure #3018 Towel Bar Post, Aug. 1998.

Primary Examiner—Pamela Burgess
Attorney, Agent, or Firm—Edgar A. Zarins; Malcolm L. Sutherland

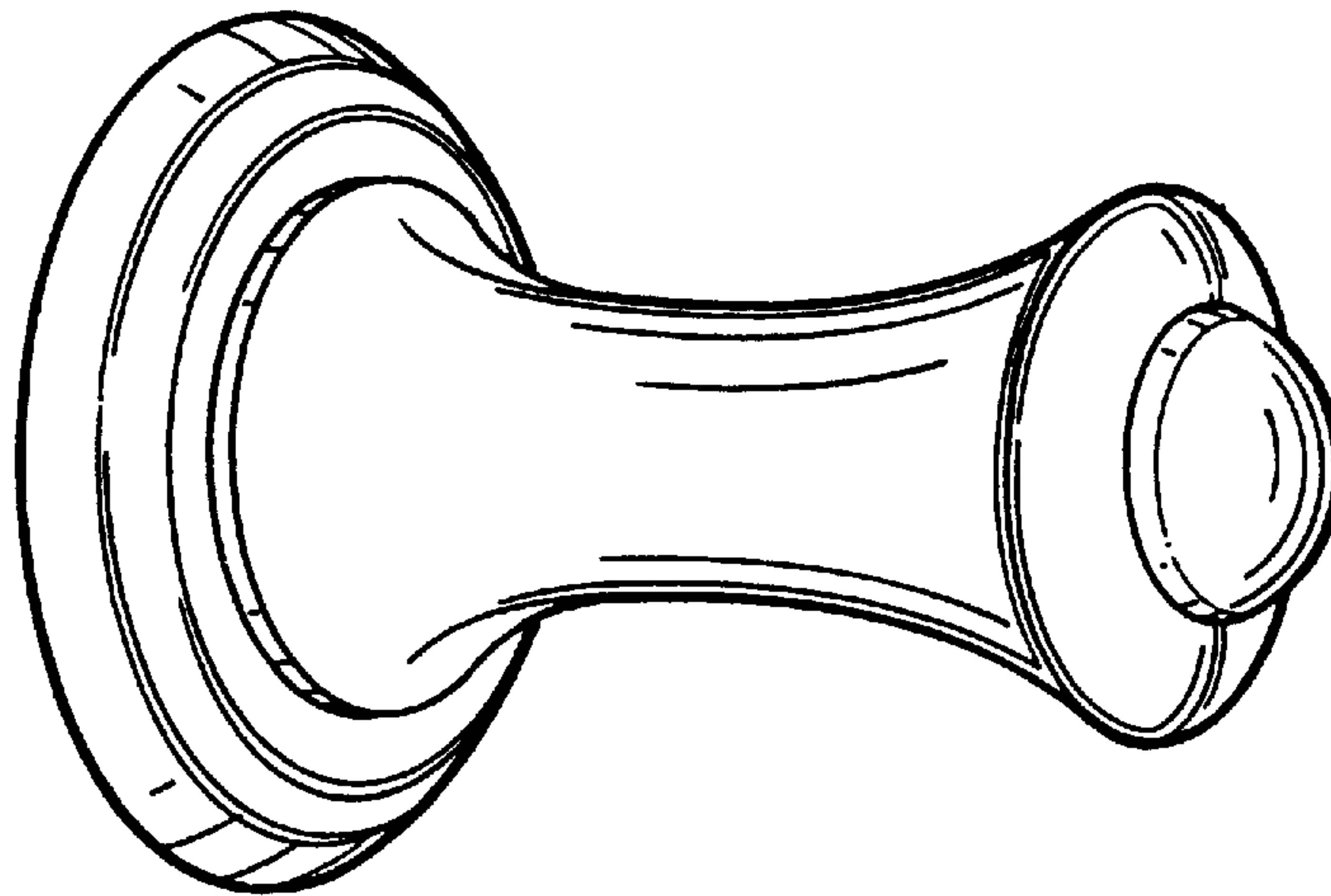
[57] **CLAIM**

The ornamental design for a post for towel bar, as shown and described.

DESCRIPTION

FIG. 1 is a perspective view of a post for towel bar showing my new design;
FIG. 2 is a side view thereof, the undisclosed side being a mirror image; and,
FIG. 3 is a front view thereof.

1 Claim, 1 Drawing Sheet



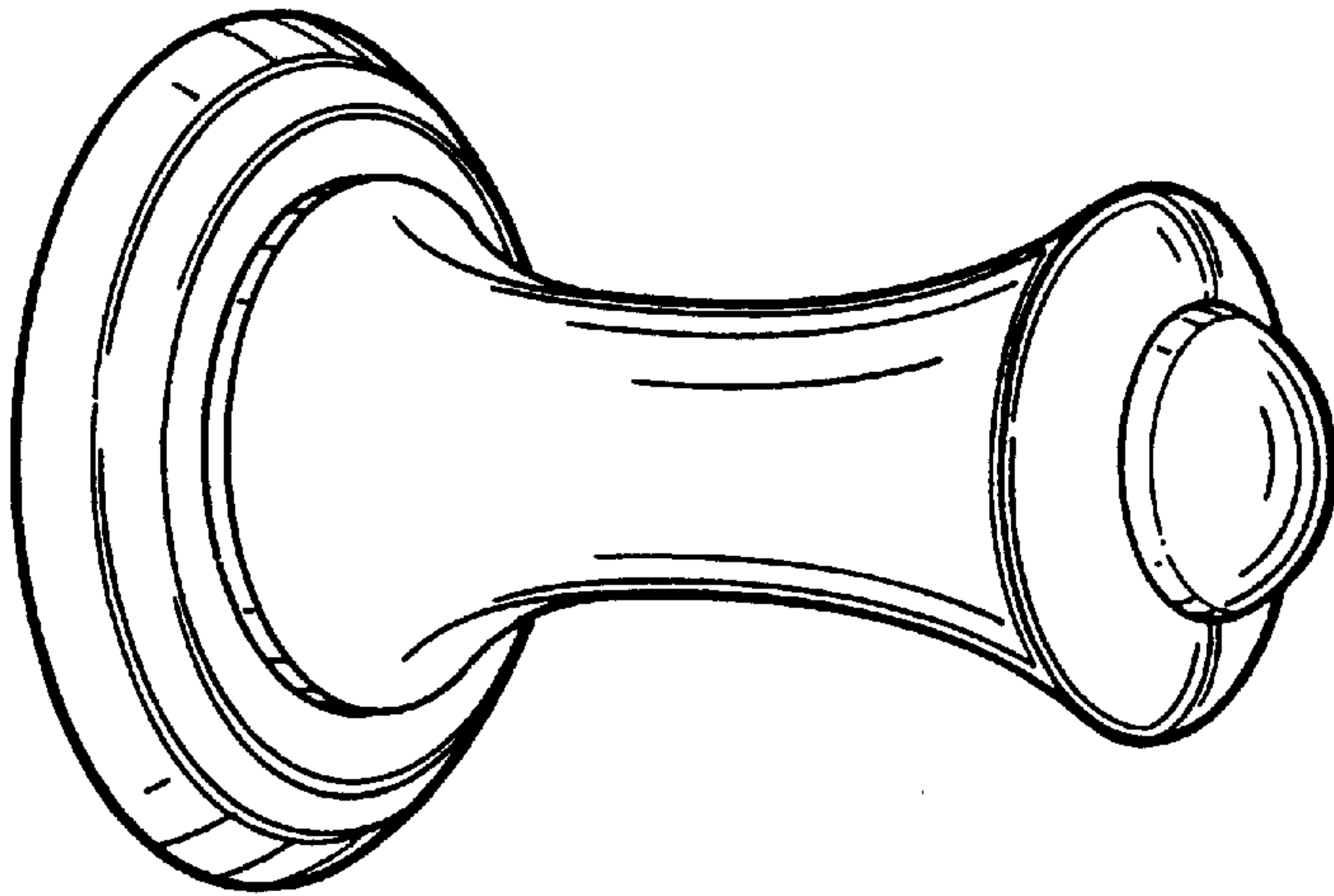


Fig-1

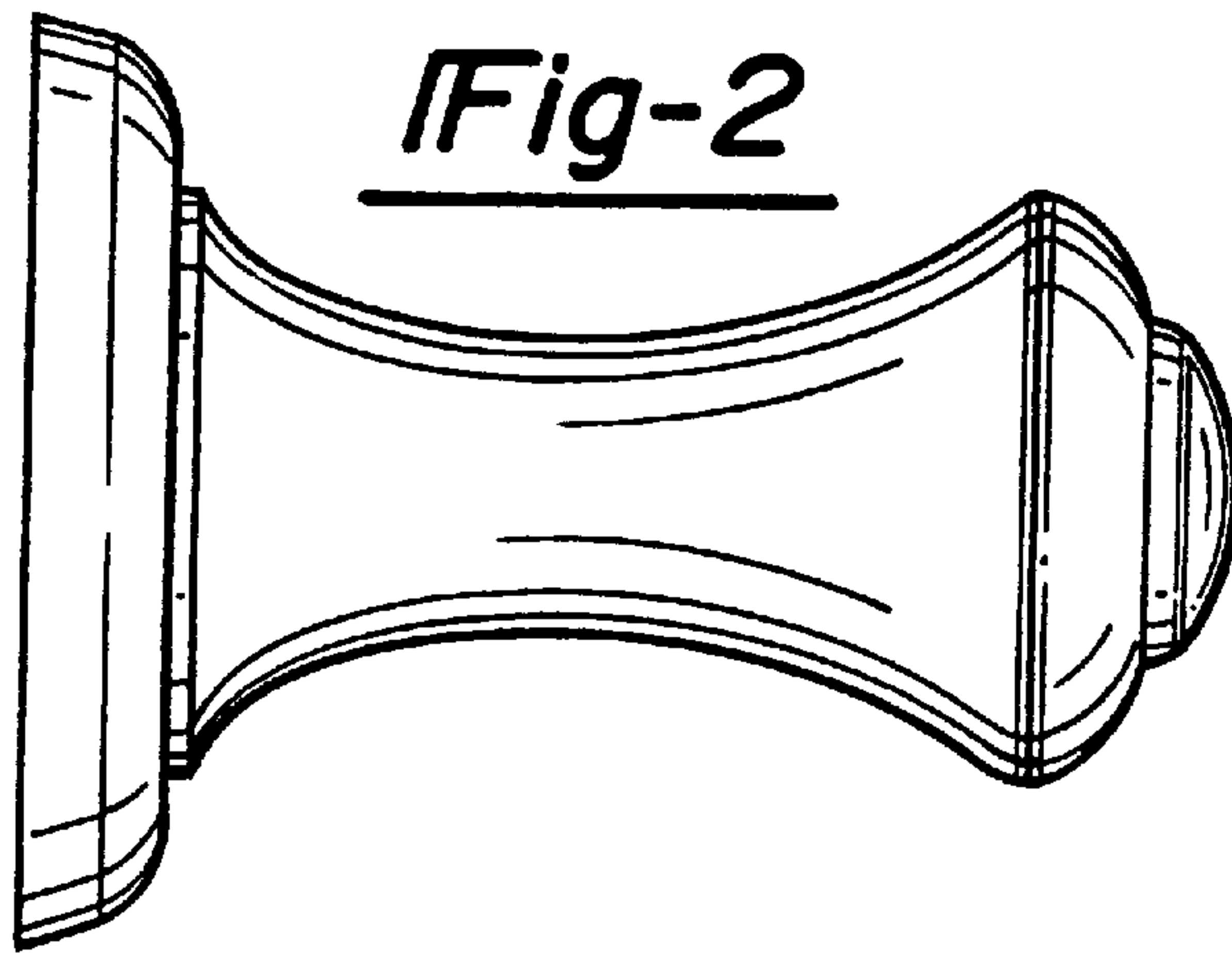


Fig-2

Fig-3

