



US00D400375S

United States Patent [19] Peng-Hui

[11] **Patent Number: Des. 400,375**

[45] **Date of Patent: **Nov. 3, 1998**

[54] **STAND**

[76] **Inventor: Pan Peng-Hui**, P.O. Box 453, Taichung, Taiwan

[**] **Term: 14 Years**

[21] **Appl. No.: 69,753**

[22] **Filed: Apr. 22, 1997**

[51] **LOC (6) Cl. 06-04**

[52] **U.S. Cl. D6/474; D6/476**

[58] **Field of Search** D6/464, 465, 477-479, D6/474-476, 405, 449; 211/135, 133.1, 186-188, 72, 71, 10, 59.4, 86, 79, 126.3, 126.7, 126.11, 126.13, 126.14, 128.1, 182; D34/12, 17, 21; 108/16, 13, 25, 28, 59, 60, 64, 83, 88, 91-93, 149; 312/321, 107, 345

D. 241,217 8/1976 Cohen D6/477
D. 280,157 8/1985 Berry, Jr. D6/474
D. 314,103 1/1991 Yau Kee D6/474 X
D. 332,015 12/1992 Brunner D6/477 X

Primary Examiner—James Gandy
Assistant Examiner—Linda Brooks

[57] CLAIM

The ornamental design for a stand, as shown and described.

DESCRIPTION

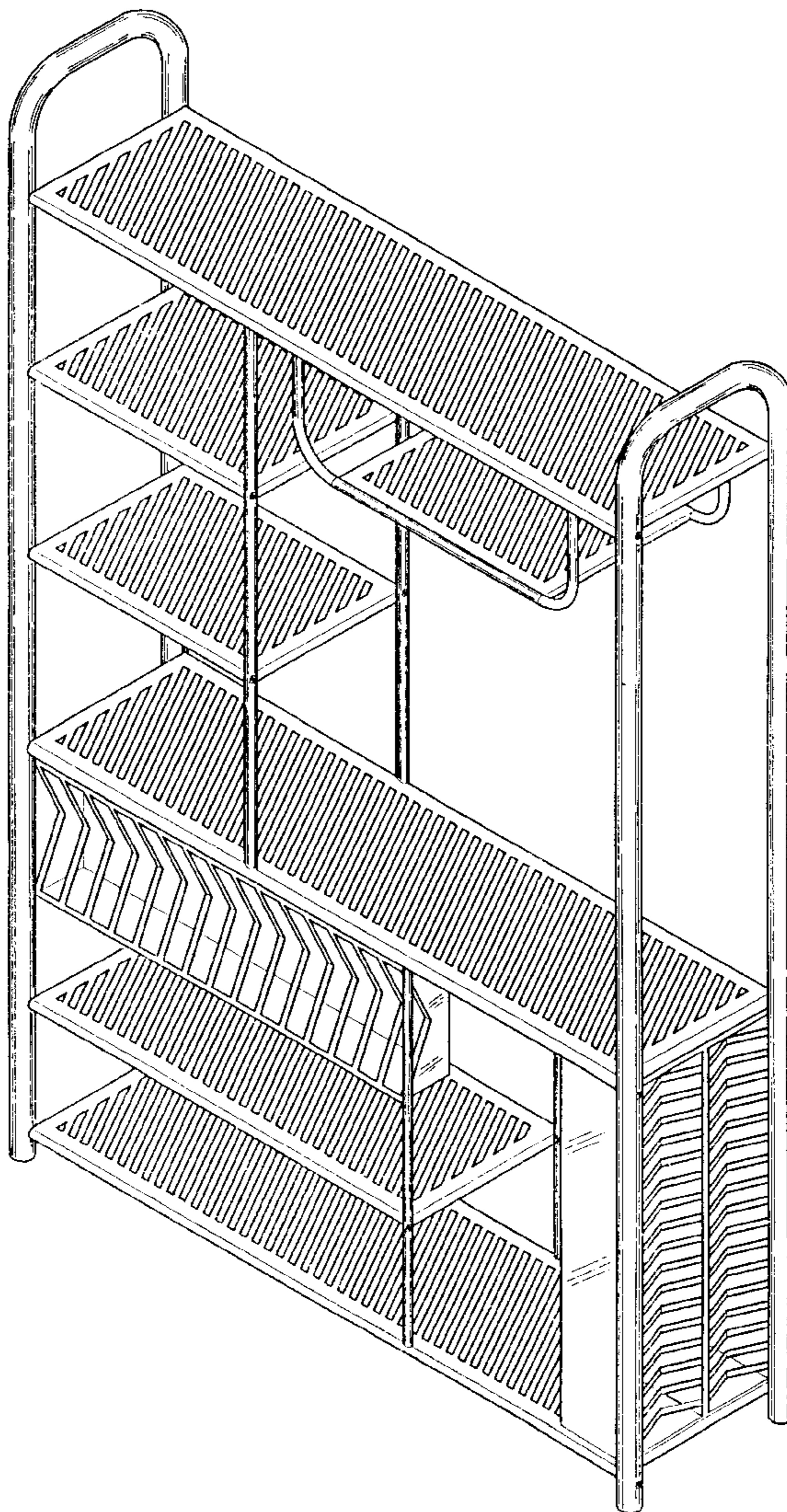
FIG. 1 is a perspective view of stand showing my new design;
FIG. 2 is a front elevational view thereof on a reduced scale;
FIG. 3 is a rear elevational view of FIG. 2;
FIG. 4 is a right elevational view of FIG. 2;
FIG. 5 is a left elevational view of FIG. 2;
FIG. 6 is a top plan view of FIG. 2; and,
FIG. 7 is a bottom plan view of FIG. 2.

[56] References Cited

U.S. PATENT DOCUMENTS

D. 174,532 4/1955 Duchin D6/474

1 Claim, 3 Drawing Sheets



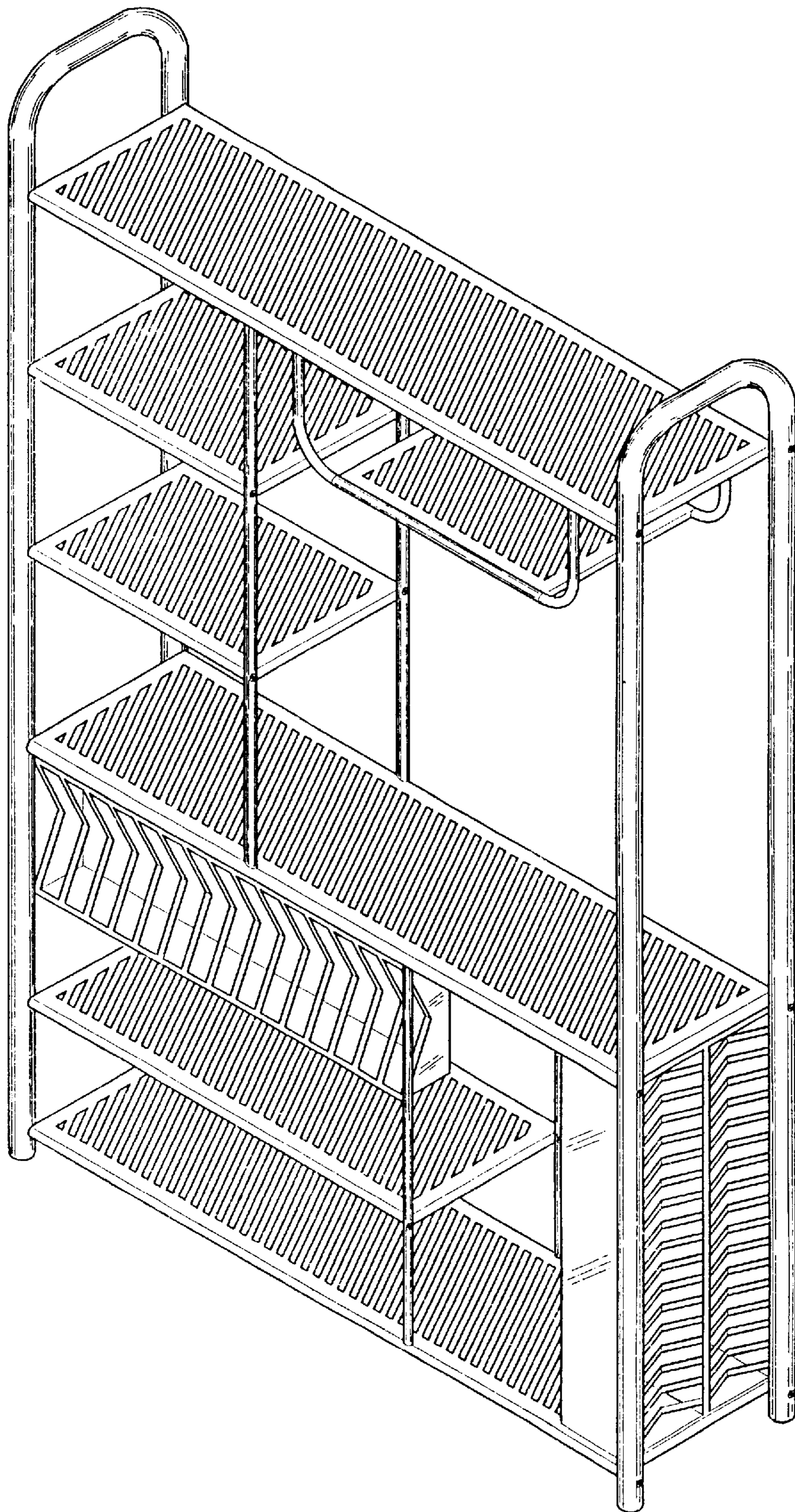


FIG.1

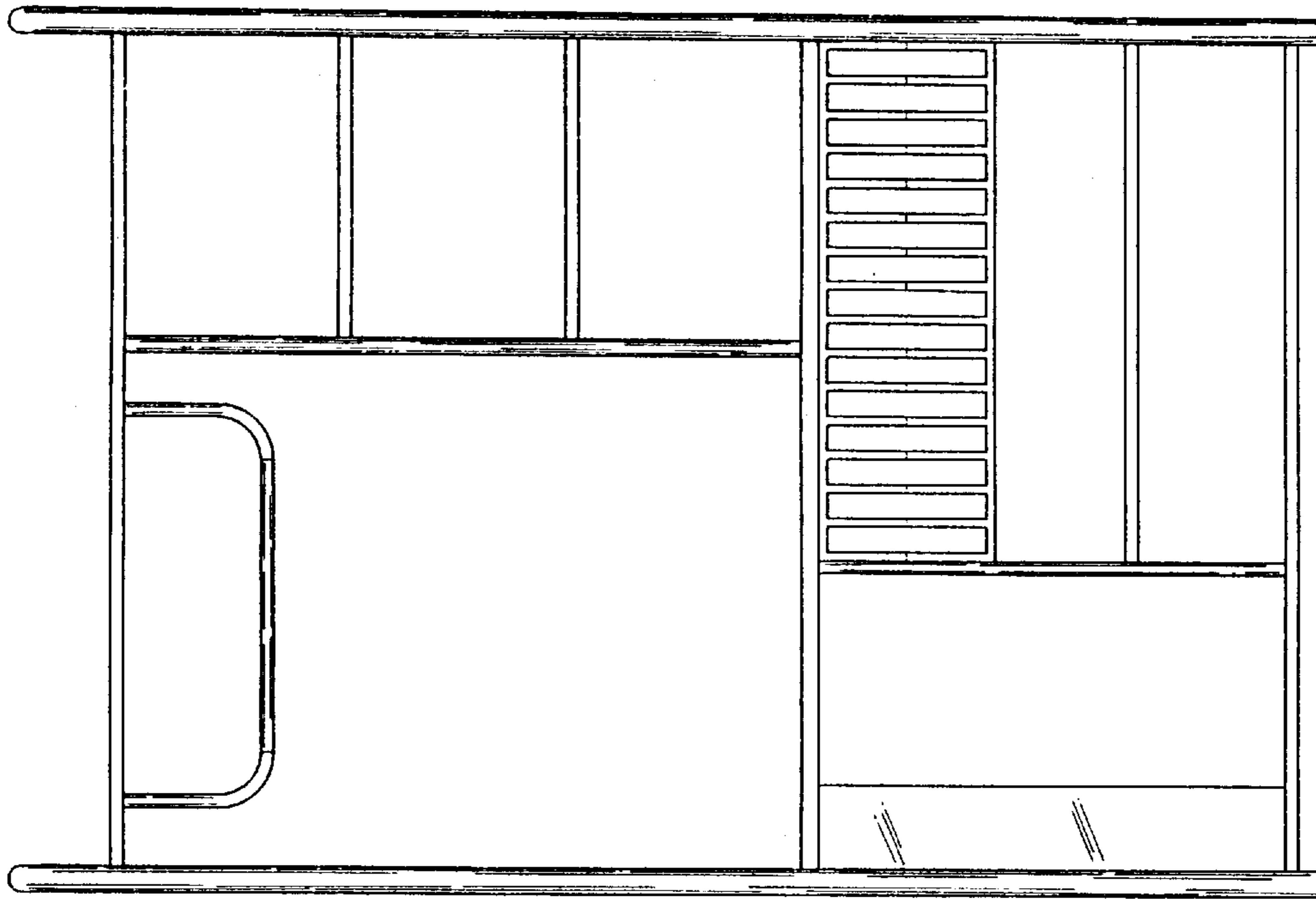


FIG.3

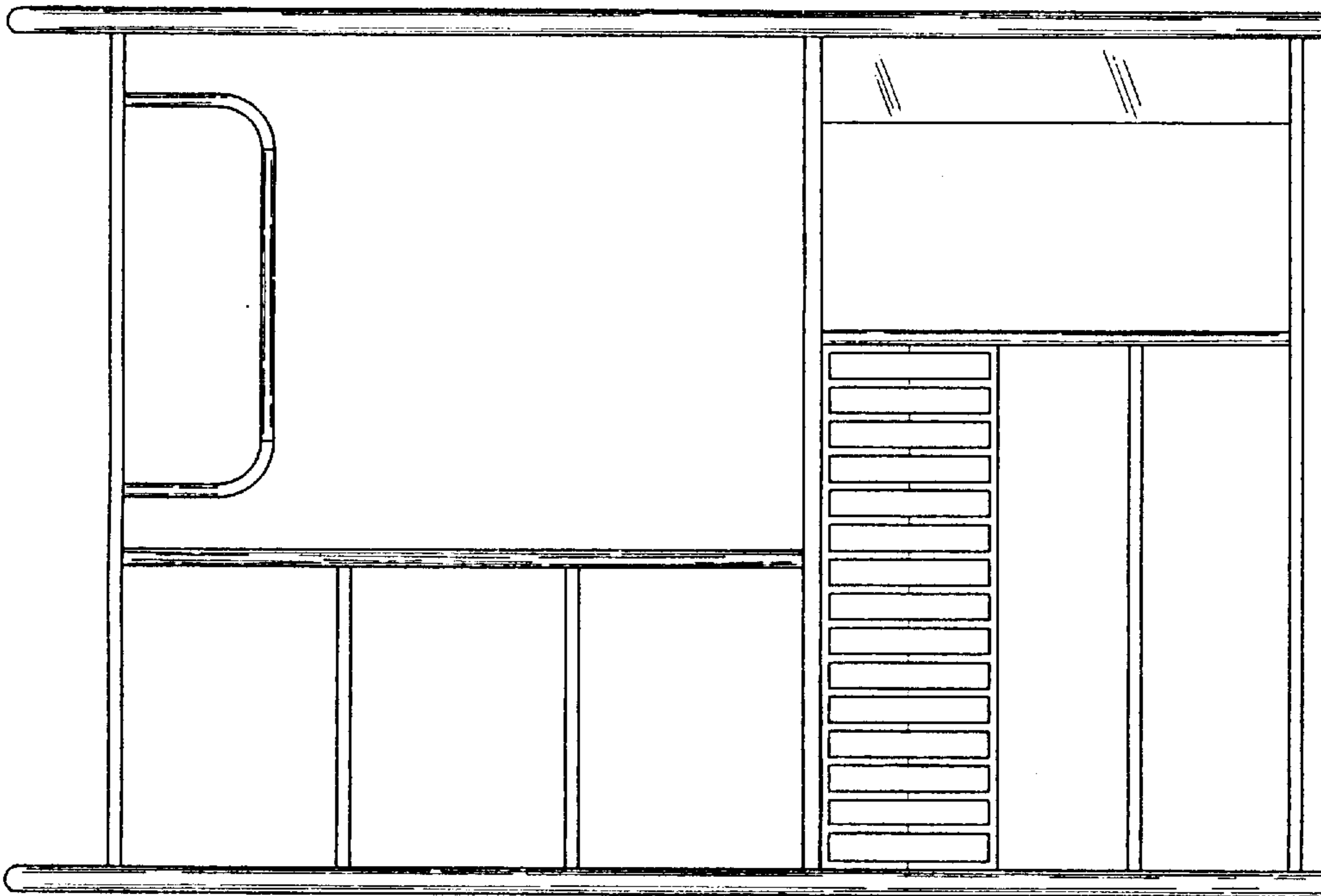


FIG.2

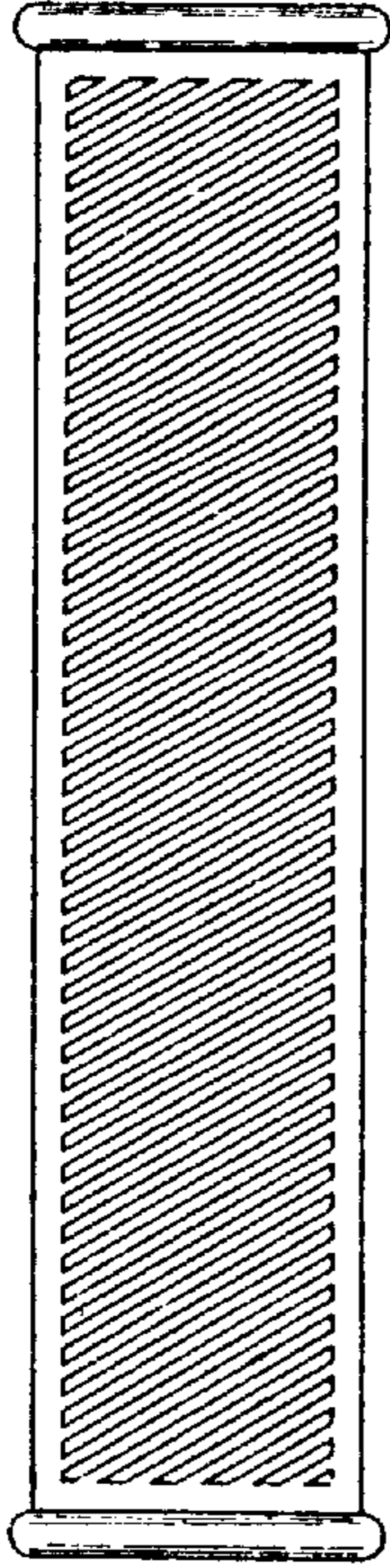


FIG.6

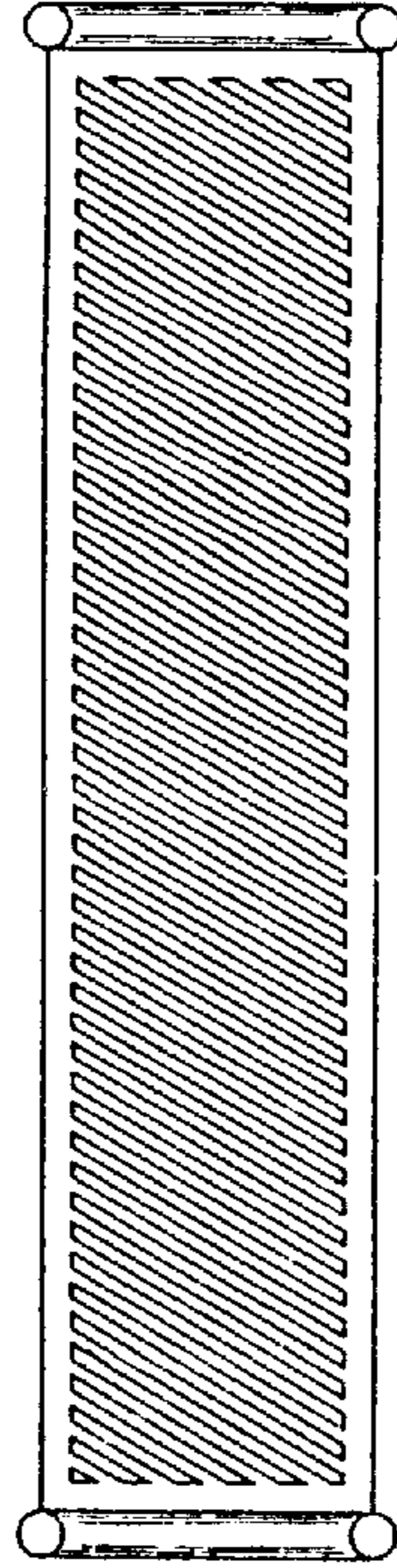


FIG.7

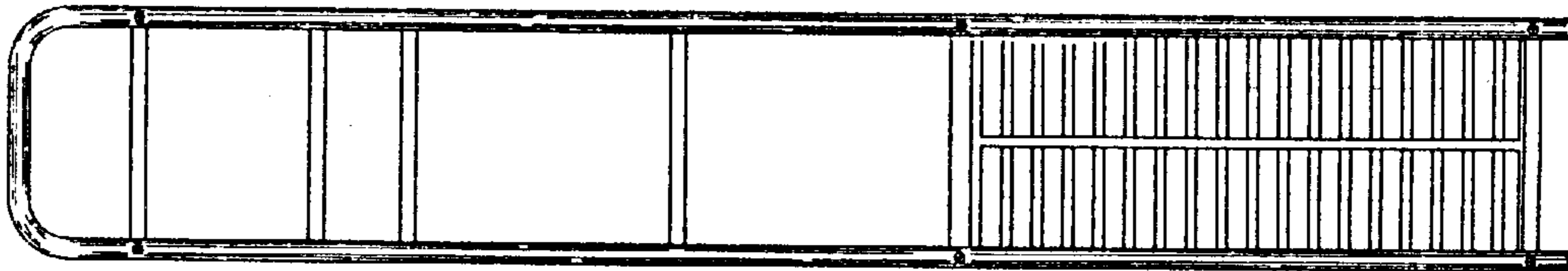


FIG.5

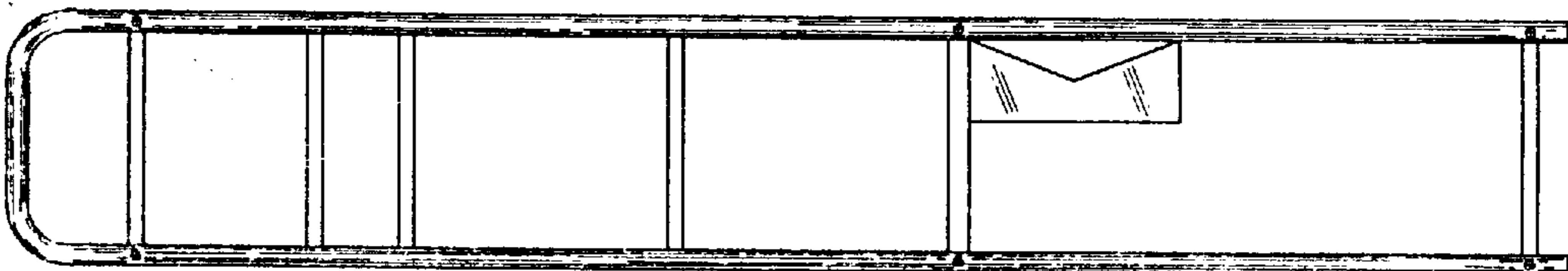


FIG.4