



US00D400373S

United States Patent [19]
Thoesen

[11] **Patent Number: Des. 400,373**
[45] **Date of Patent: **Nov. 3, 1998**

[54] **CAR CARE ORGANIZER TRAY**
[76] Inventor: **Joseph M. Thoesen**, 8540 Hawthorne Dr., Munster, Ind. 46321
[**] Term: **14 Years**
[21] Appl. No.: **60,281**
[22] Filed: **Sep. 24, 1996**
[51] **LOC (6) Cl. 06-04**
[52] **U.S. Cl. D6/469**
[58] **Field of Search** D12/425-426;
D6/467-469, 473-476; D15/140; D8/71;
211/13, 14, 70.6, 69; 206/349, 372; D24/227,
229, 230; D28/61

D. 336,181 6/1993 Muniz D6/469
D. 336,802 6/1993 Eidsmoc et al. D8/71 X
D. 343,106 1/1994 Ekland et al. D8/71
D. 347,908 6/1994 Downard D28/61
D. 351,661 10/1994 Fischer D24/230
992,396 5/1911 Weber 211/69 X

Primary Examiner—James Gandy
Assistant Examiner—Stacia Sinuik
Attorney, Agent, or Firm—Thomas W. Tolpin

[56] **References Cited**
U.S. PATENT DOCUMENTS
D. 169,077 3/1953 Mains, Jr. D6/469
D. 205,745 9/1966 Nannfeldt D6/469
D. 214,969 8/1969 Lebedeff D6/469
D. 294,209 2/1988 Havelka D6/469
D. 323,245 1/1992 Hobson D6/467 X

[57] **CLAIM**
The ornamental design for a car care organizer tray, as shown and described.

DESCRIPTION
FIG. 1 is a perspective view of a car care organizer tray, showing my new design;
FIG. 2 is a top view thereof; the bottom being solid and flat;
FIG. 3 is a left side view thereof, the right side being a mirror image thereof; and,
FIG. 4 is a front view thereof, the rear view being a mirror image thereof.

1 Claim, 1 Drawing Sheet

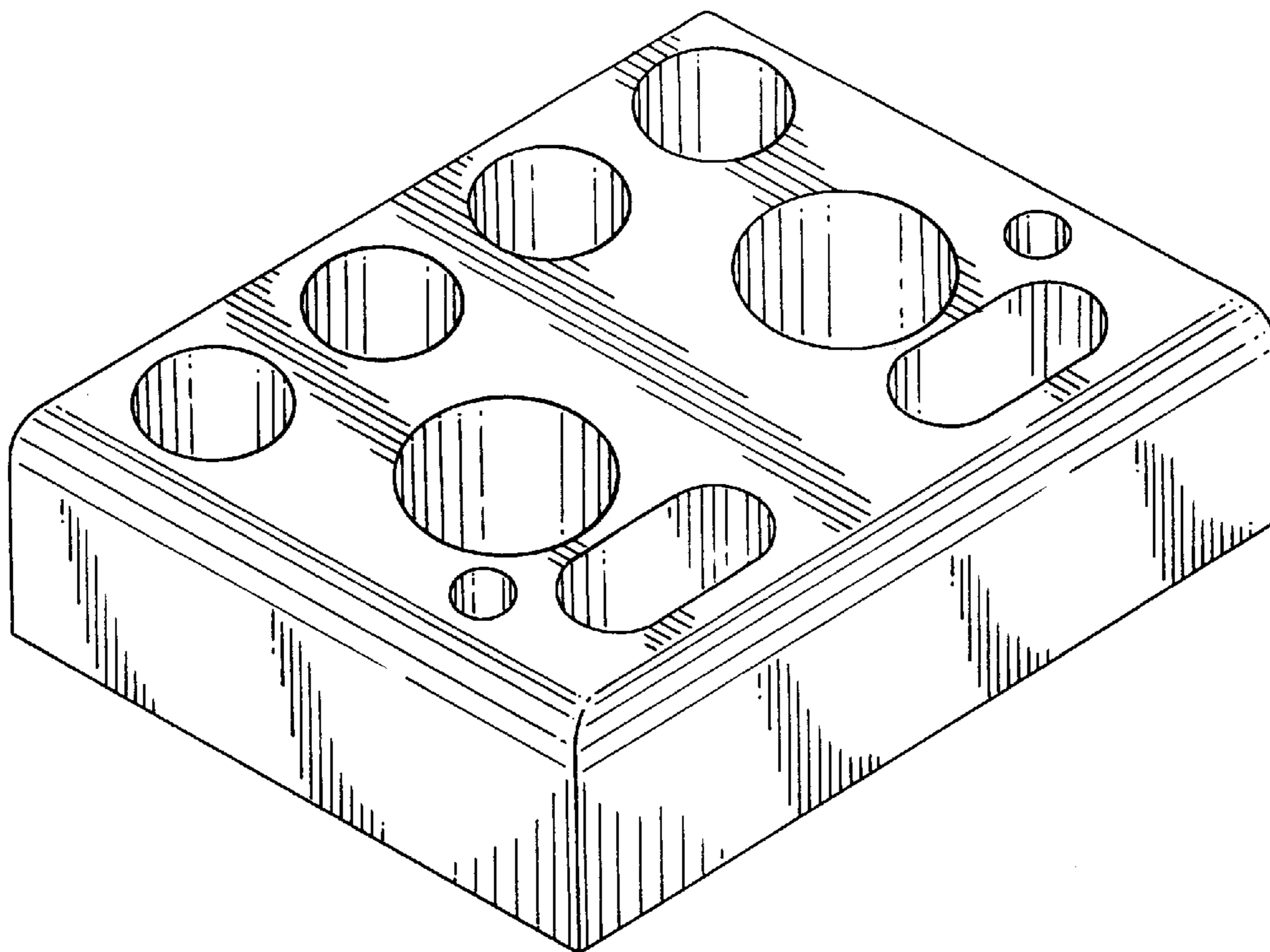


FIG. 1

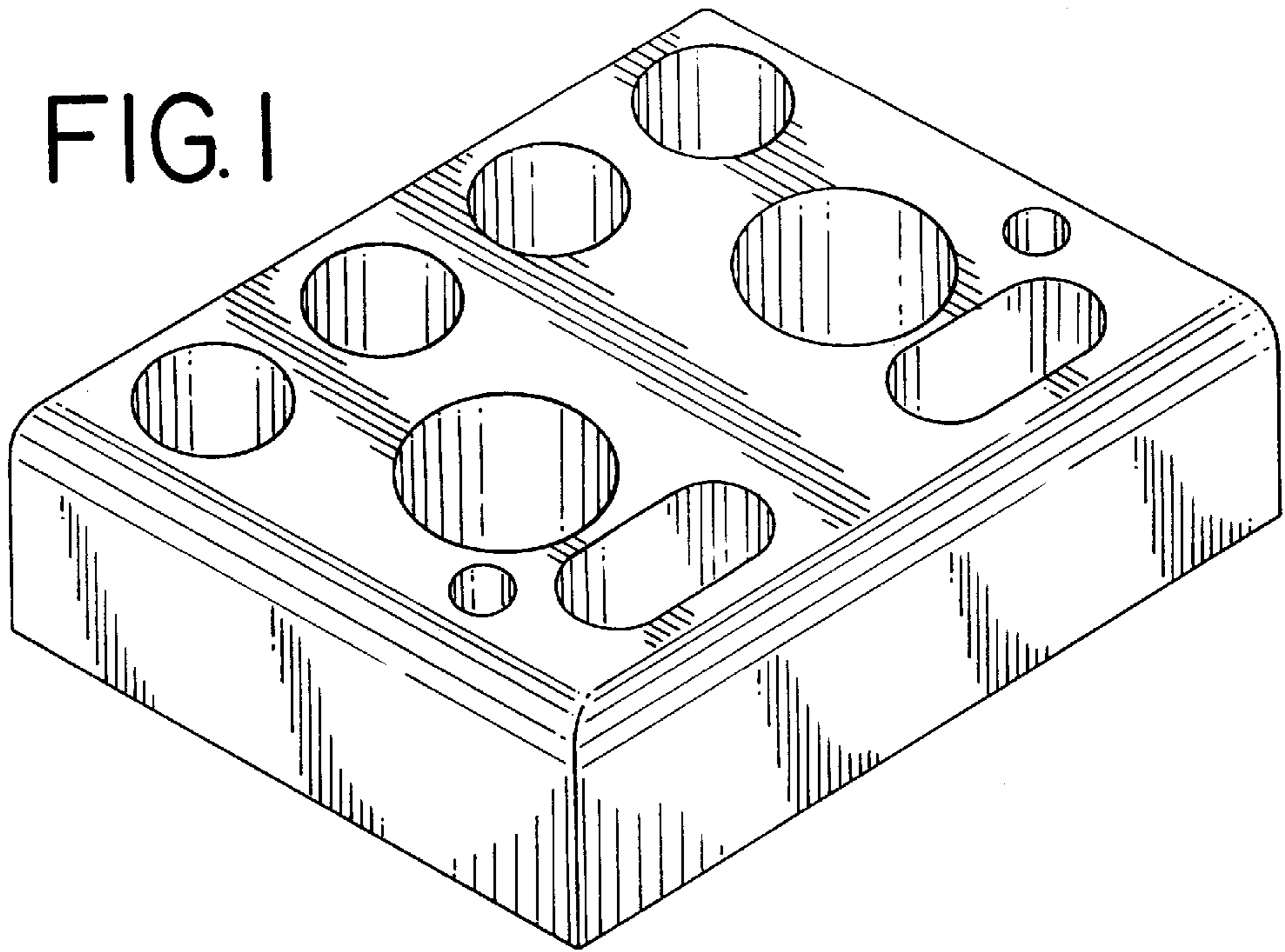


FIG. 2

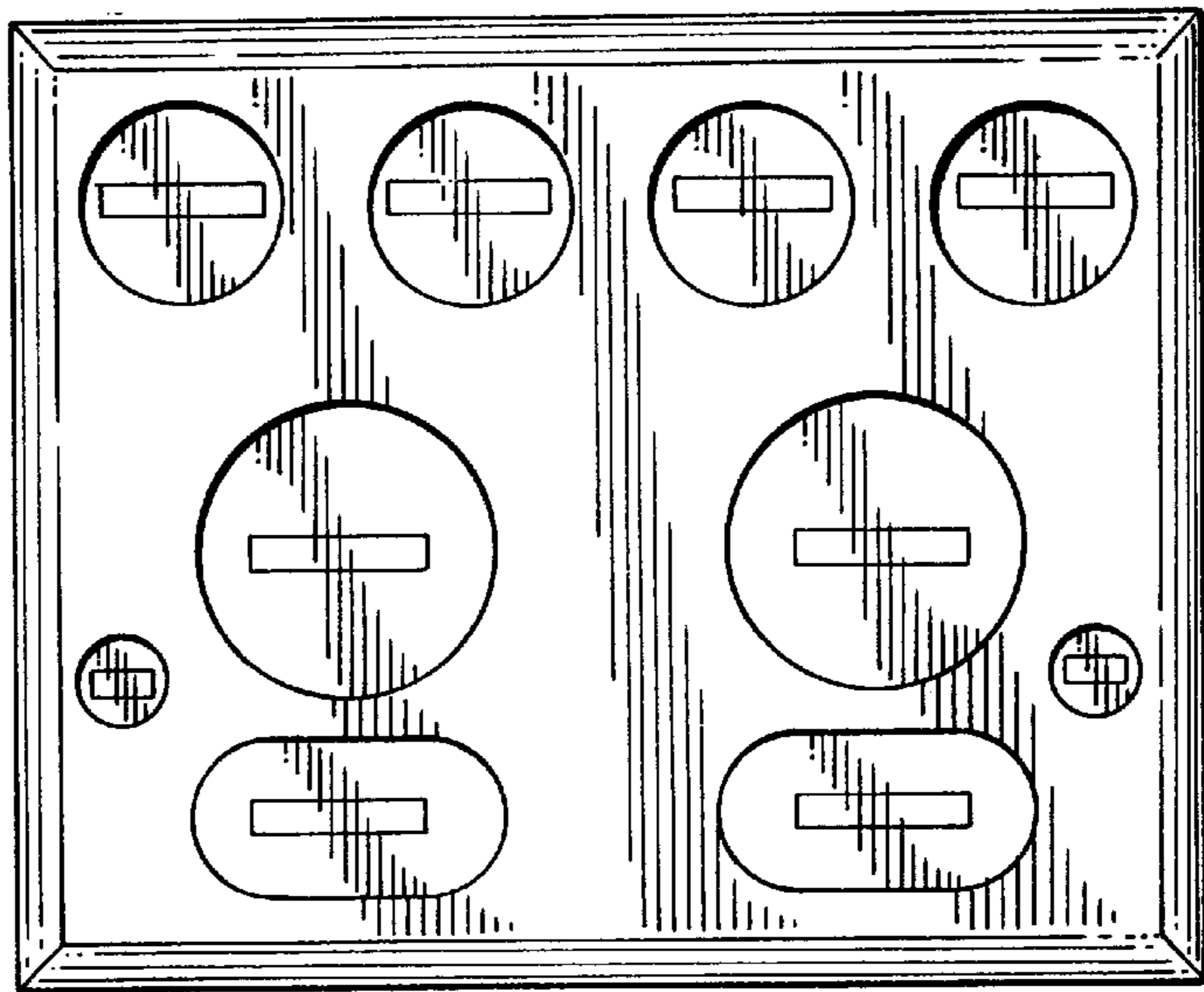


FIG. 3

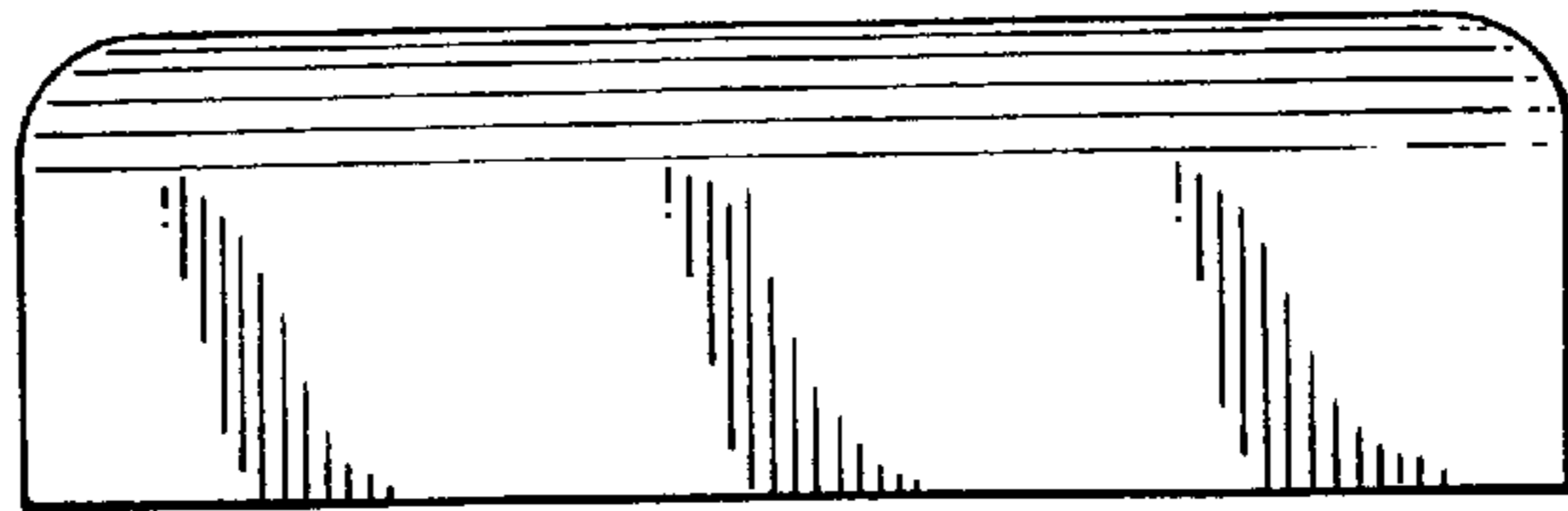


FIG. 4

