



US00D400372S

United States Patent [19] Poderis

[11] **Patent Number: Des. 400,372**

[45] **Date of Patent: **Nov. 3, 1998**

[54] **BALLOON DISPLAY RACK**

5,074,510 12/1991 Metz 248/176.1
5,509,540 4/1996 Pomerantz 211/13.1

[76] Inventor: **Edward Poderis**, 31735 Vine St.,
Willowick, Ohio 44095

Primary Examiner—James Gandy
Assistant Examiner—Linda Brooks
Attorney, Agent, or Firm—James A. Hudak

[**] Term: **14 Years**

[21] Appl. No.: **81,919**

[57] **CLAIM**

[22] Filed: **Jan. 12, 1998**

The ornamental design for a balloon display rack, as shown and described.

[51] **LOC (6) Cl.** **06-04**

DESCRIPTION

[52] **U.S. Cl.** **D6/458; D6/464**

[58] **Field of Search** D6/455, 457, 458,
D6/461, 462, 465, 466, 467, 468, 423;
211/1, 13.1, 86, 182; D21/84, 91, 59, 54,
48; 206/525-527; D25/35; 248/188.4, 121,
127, 154, 157, 176.1, 295.11; 446/220

FIG. 1 is a perspective view of the balloon display rack showing my new design;

FIG. 2 is a top plan view thereof;

FIG. 3 is a bottom plan view thereof;

FIG. 4 is a front elevational view thereof;

FIG. 5 is a left end elevational view thereof; the right end elevational view being a mirror image of the view shown in this Figure; and,

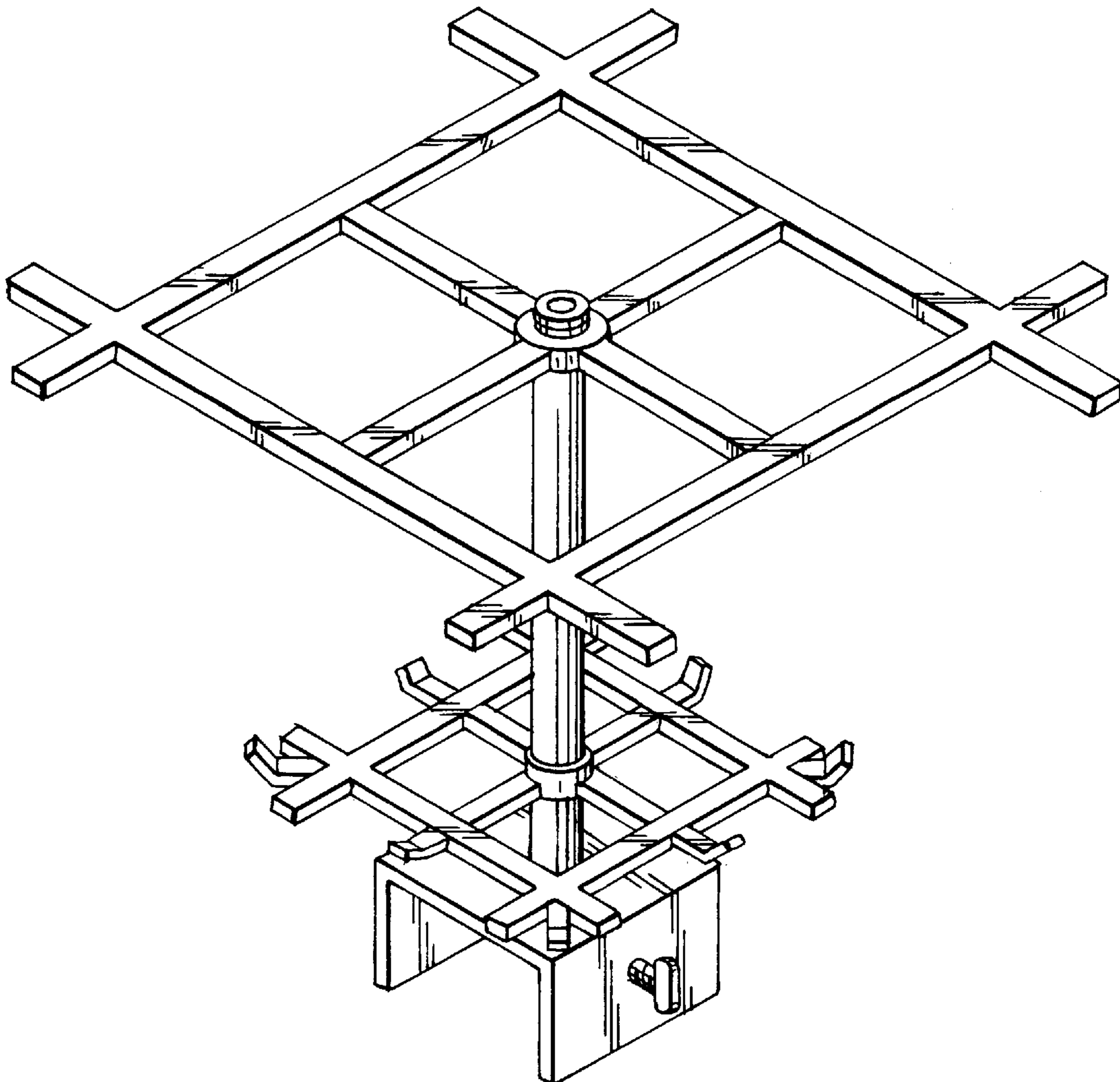
FIG. 6 is a rear elevational view thereof.

[56] **References Cited**

U.S. PATENT DOCUMENTS

D. 86,994 5/1932 Boyar D6/468
4,953,713 9/1990 Yaffe 211/13.1
5,035,391 7/1991 Steele et al. 446/220 X

1 Claim, 3 Drawing Sheets



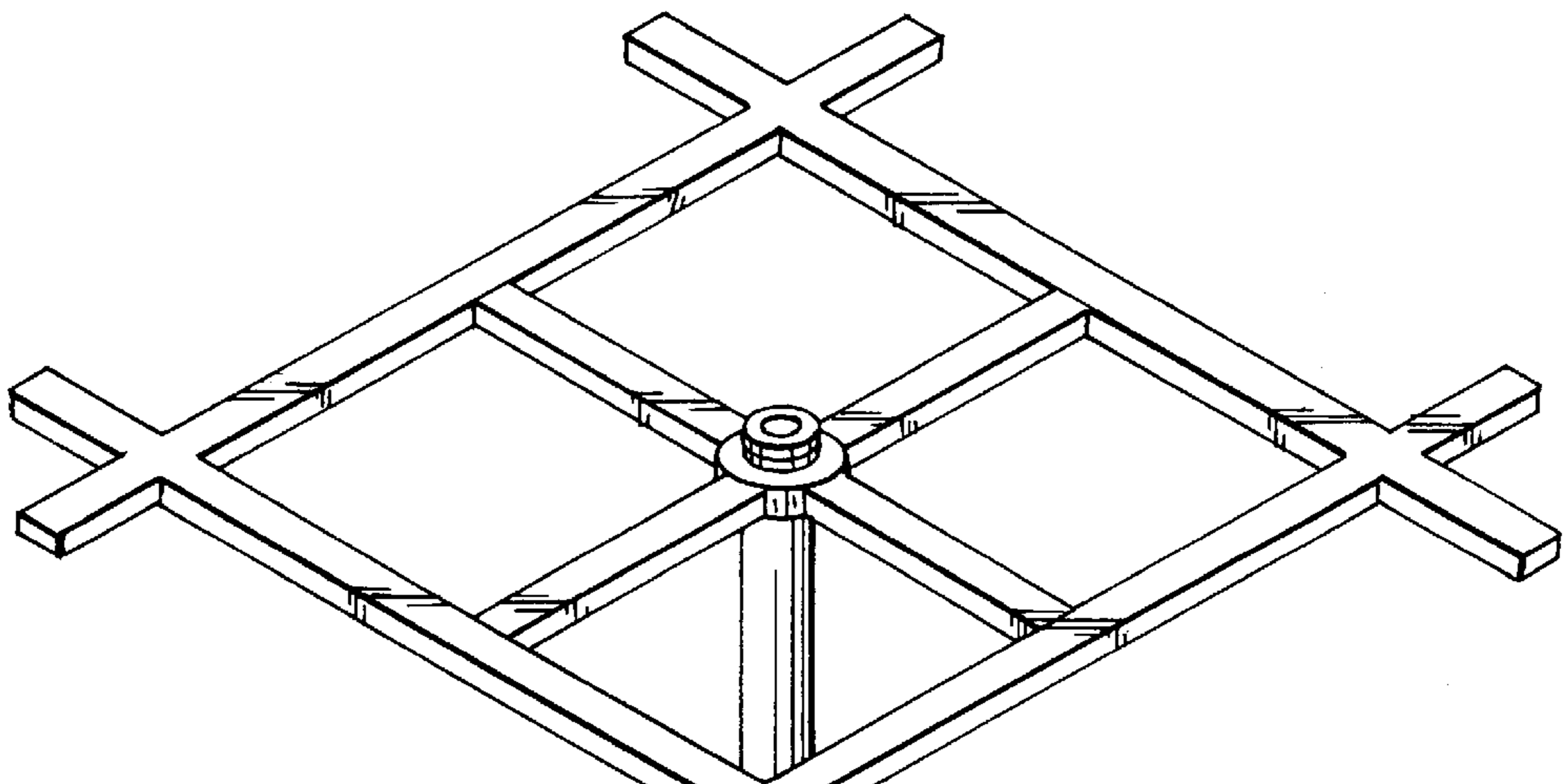


Fig. 1

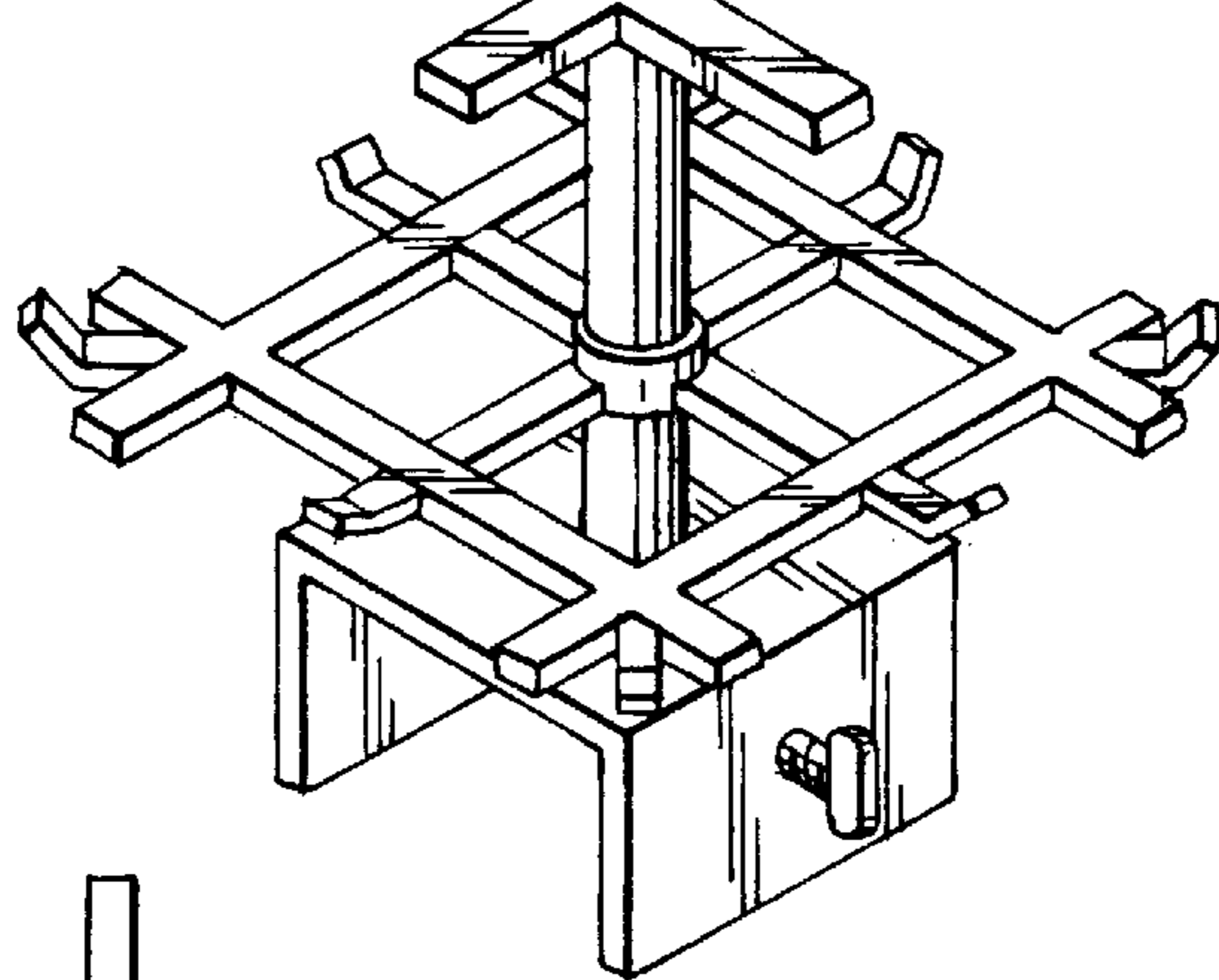


Fig. 2

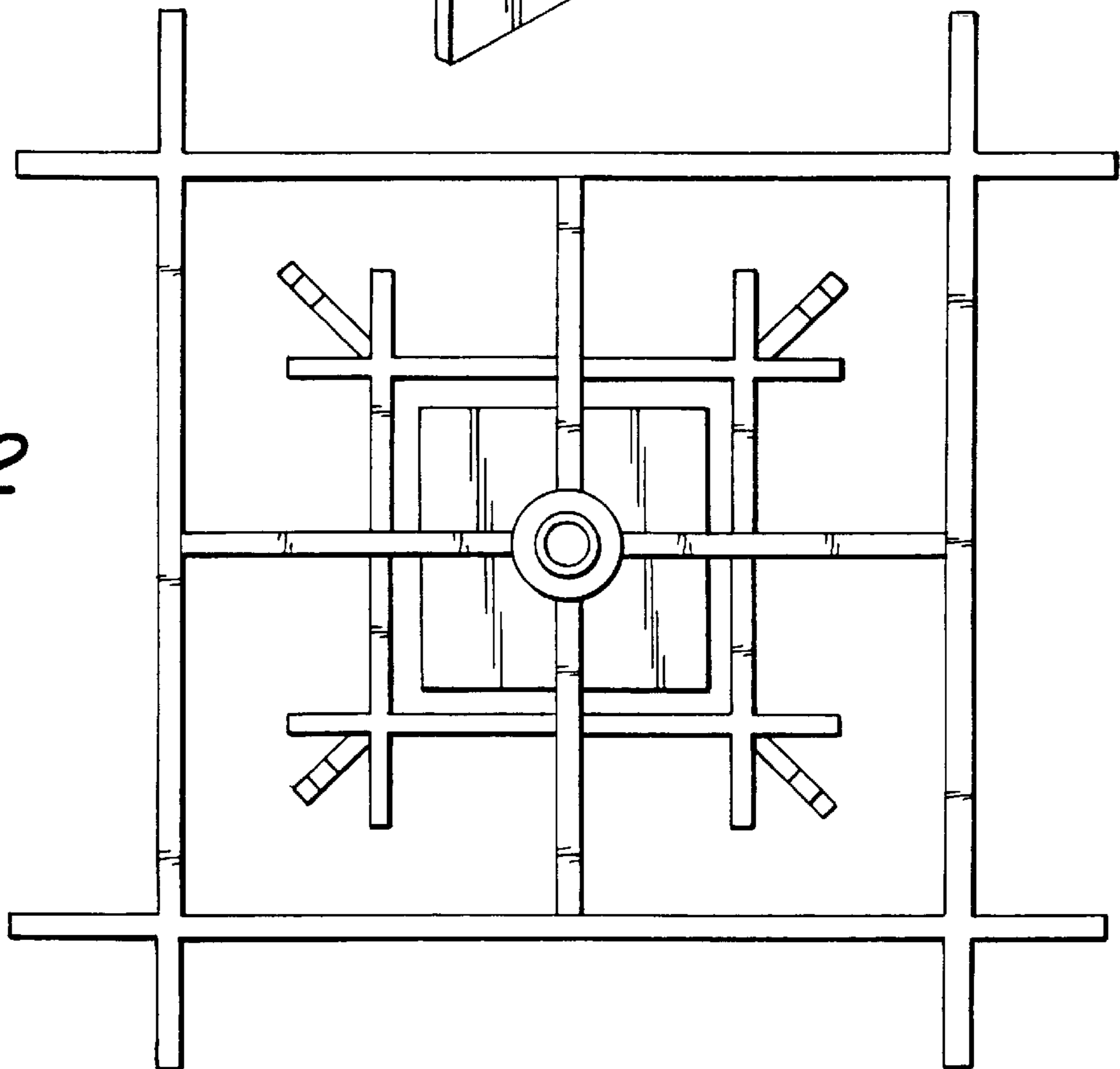


Fig. 3

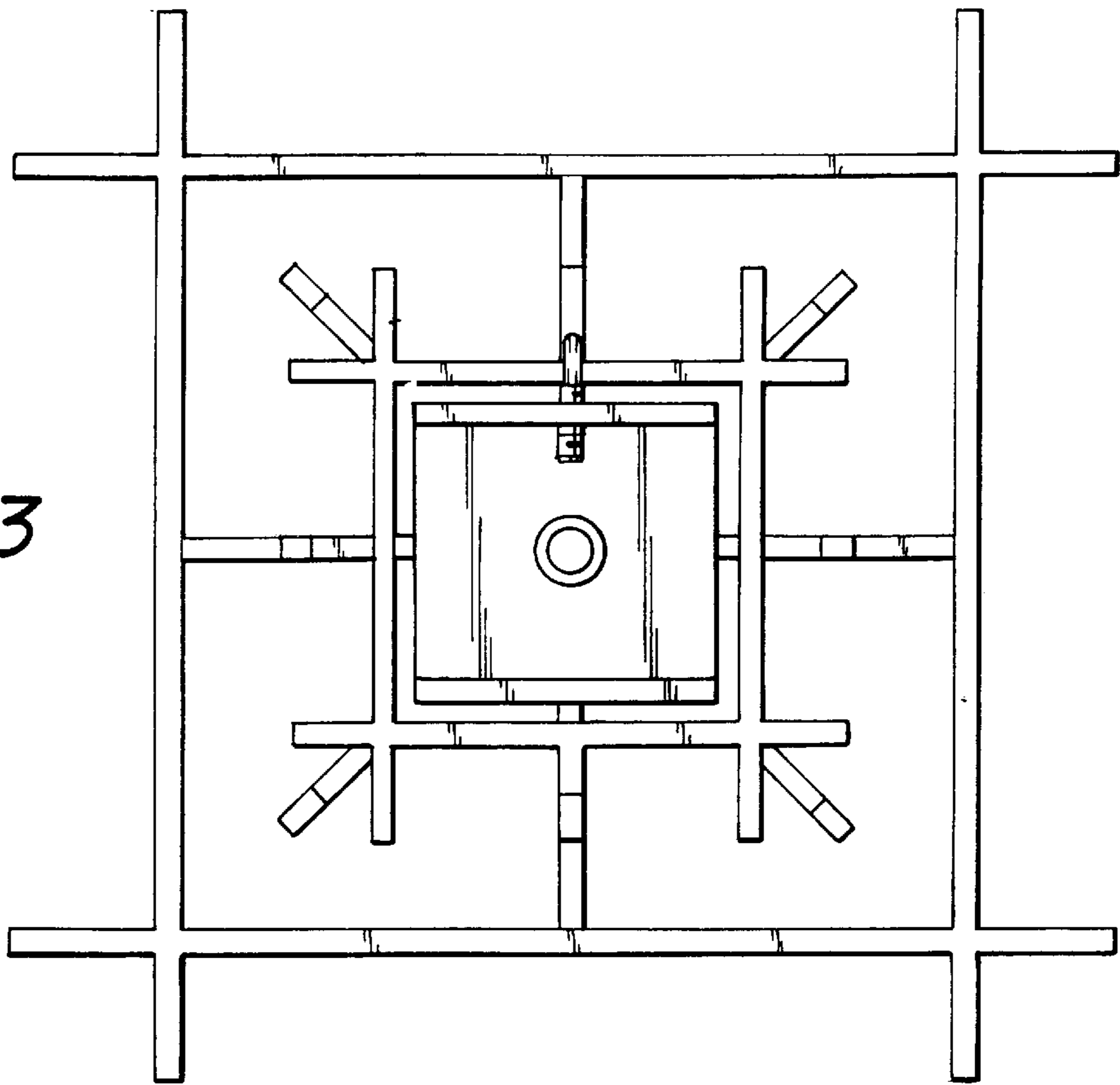


Fig. 4

