



US00D400369S

# United States Patent [19] Aaron

[11] **Patent Number: Des. 400,369**  
[45] **Date of Patent: \*\*Nov. 3, 1998**

[54] **CONVERTIBLE YOUTH BED**

[76] Inventor: **Albert G. Aaron**, 3226 Quitman,  
Denver, Colo. 80212

[\*\*] Term: **14 Years**

[21] Appl. No.: **80,001**

[22] Filed: **Nov. 28, 1997**

**Related U.S. Application Data**

[62] Division of Ser. No. 60,815, Oct. 8, 1996, Pat. No. Des. 392,810.

[51] **LOC (6) Cl.** ..... **06-01**

[52] **U.S. Cl.** ..... **D6/383; D6/391; D6/392; D6/395**

[58] **Field of Search** ..... **D6/331, 333, 388-391, D6/395, 505, 508; 5/93.1, 93.2, 99.1, 101**

[56] **References Cited**

**U.S. PATENT DOCUMENTS**

184,313	11/1876	Woodard	5/93.1
D. 209,570	12/1967	Van Riper	D6/391
D. 392,810	3/1998	Aaron	D6/391
819,886	3/1906	Hume	D6/390 X
2,561,637	7/1951	Rex	5/99.1
5,293,655	3/1994	VanWinkle et al.	D6/390

**FOREIGN PATENT DOCUMENTS**

0029853 12/1914 United Kingdom ..... 5/93.1

**OTHER PUBLICATIONS**

*Baby Express* catalogue 1996, p. 14, PALI and E.G. Furniture designs.

*Baby Express* catalogue 1996, inside cover, Eternity Crib.  
*Baby Shop Magazine*, Spring/Summer 1996, back cover, Baby Dream Furniture designs.

*J.C. Penney* Spring/Summer 1996 catalogue, p. 632.

*Primary Examiner*—Janice E. Seeger

*Attorney, Agent, or Firm*—James A. Pinto; Gregg I. Anderson; Holland & Hart LLP

[57] **CLAIM**

The ornamental design for a convertible youth bed, as shown and described.

**DESCRIPTION**

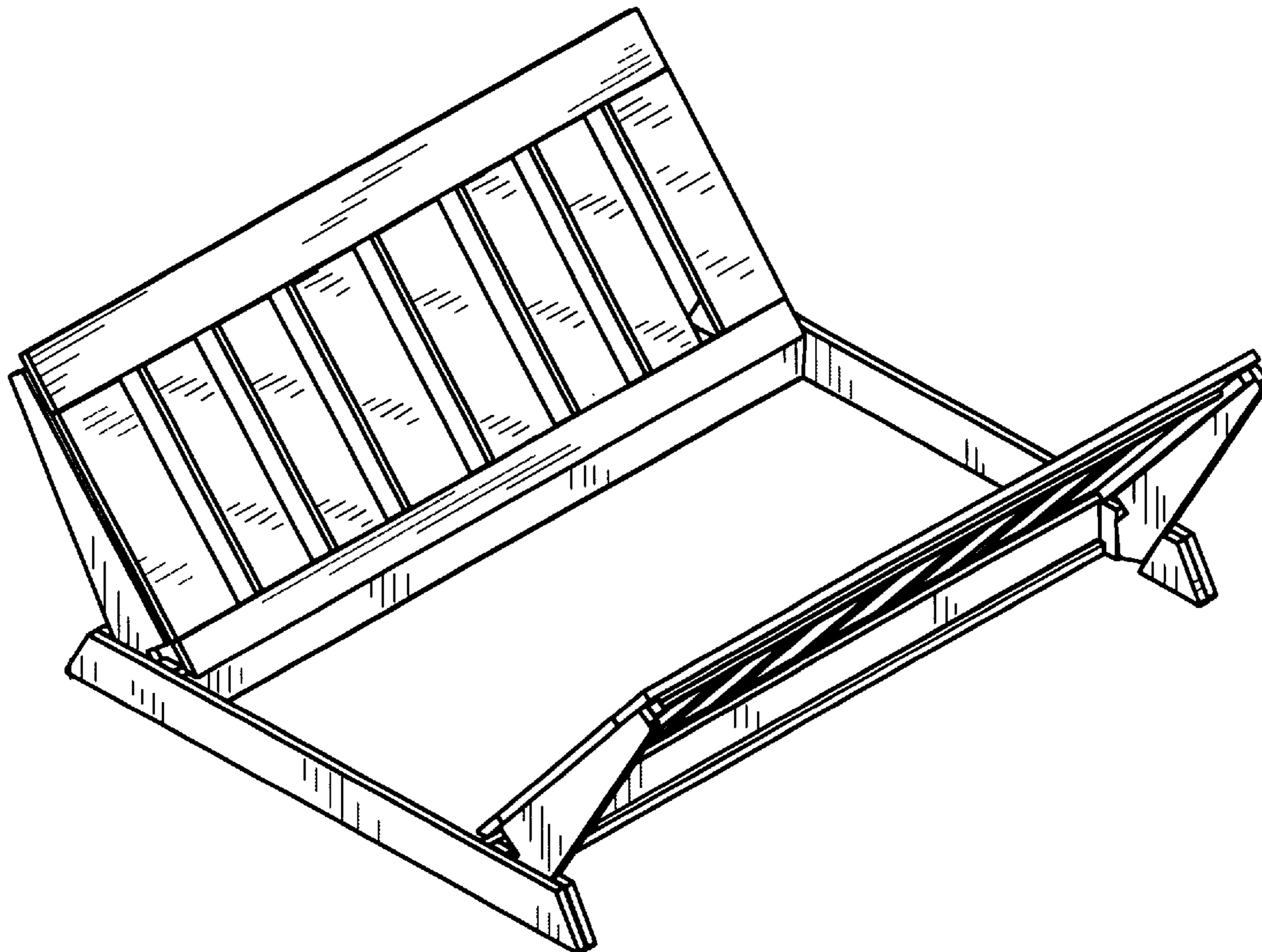
FIG. 1 is a front isometric view of a convertible youth bed; FIG. 2 is a left side elevation view of FIG. 1; the right side being a mirror image thereof;

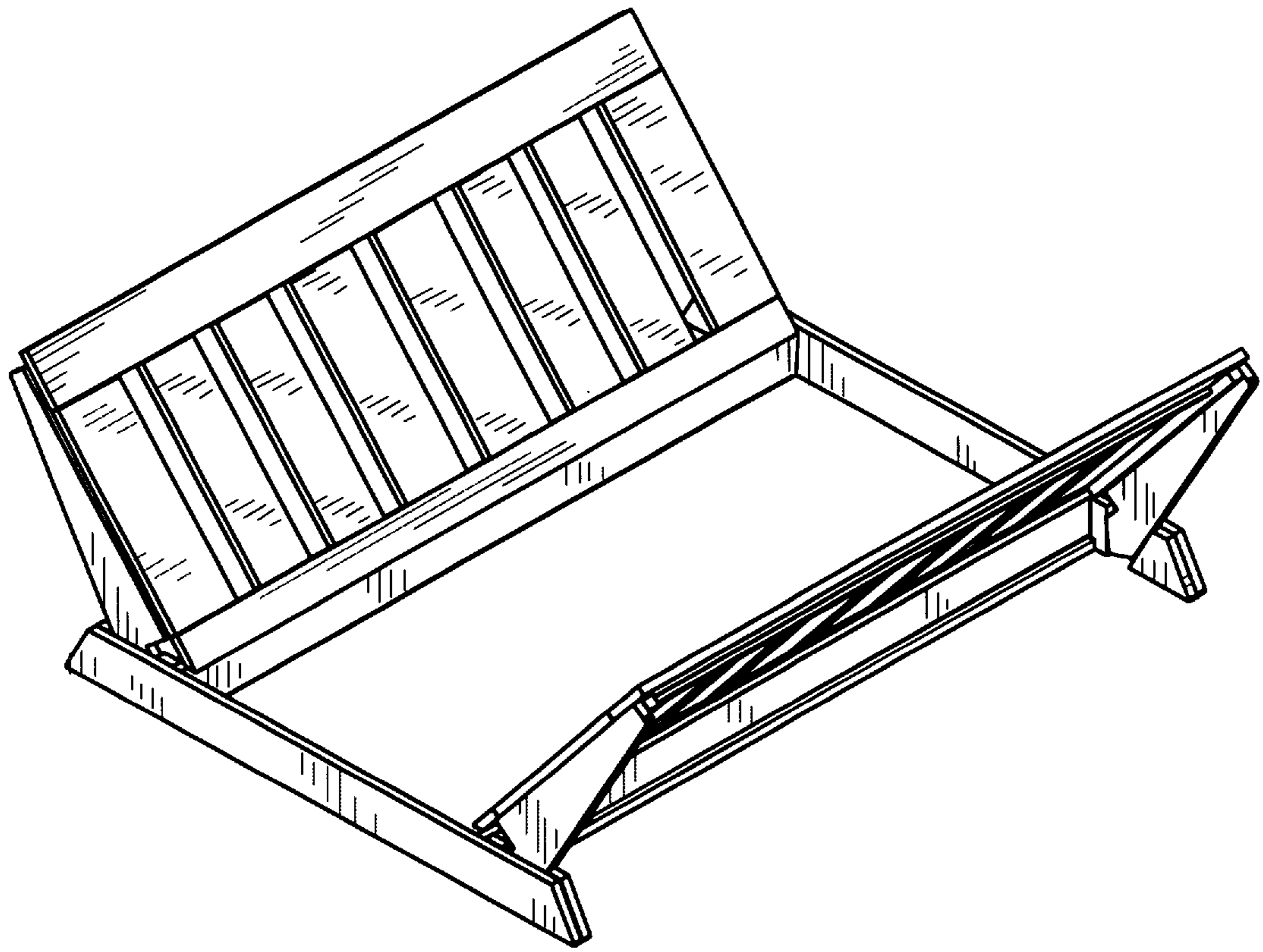
FIG. 3 is a front elevation view of FIG. 1; the rear elevation view being a mirror image thereof;

FIG. 4 is a top view thereof; and,

FIG. 5 is a bottom view thereof.

**1 Claim, 3 Drawing Sheets**

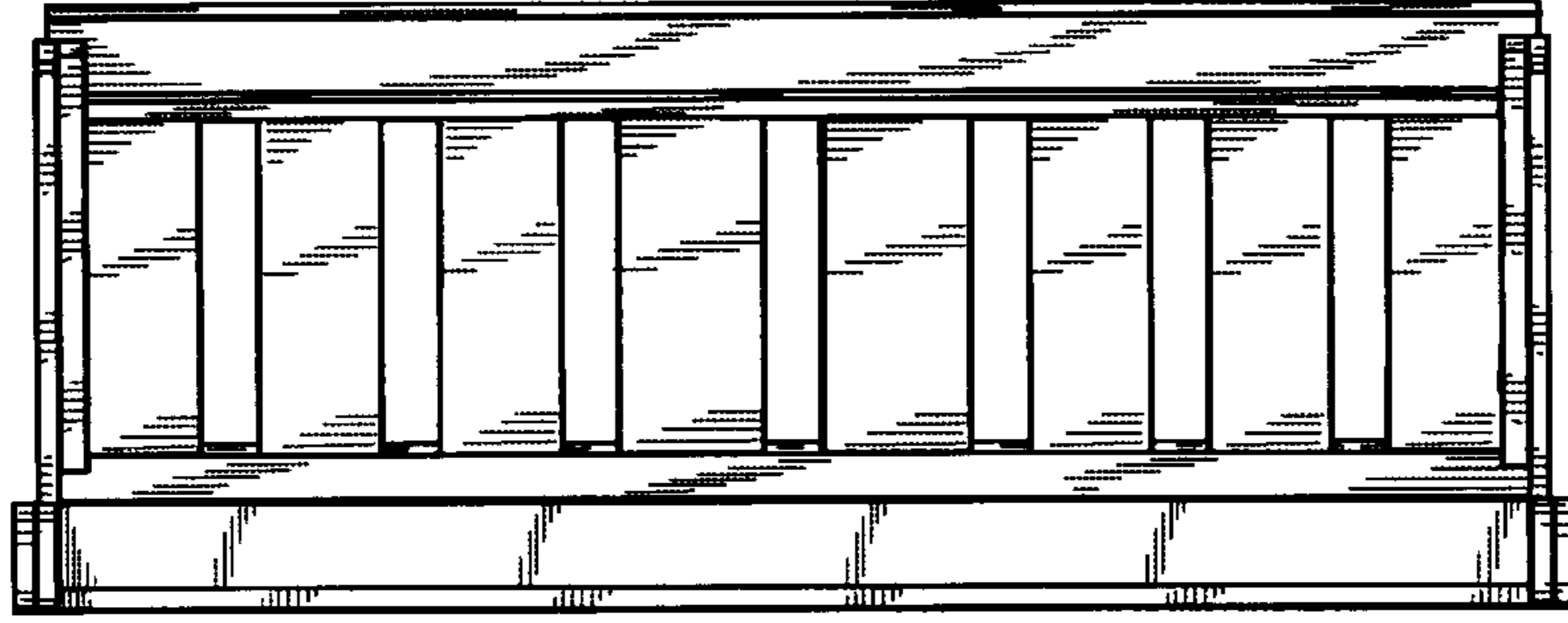




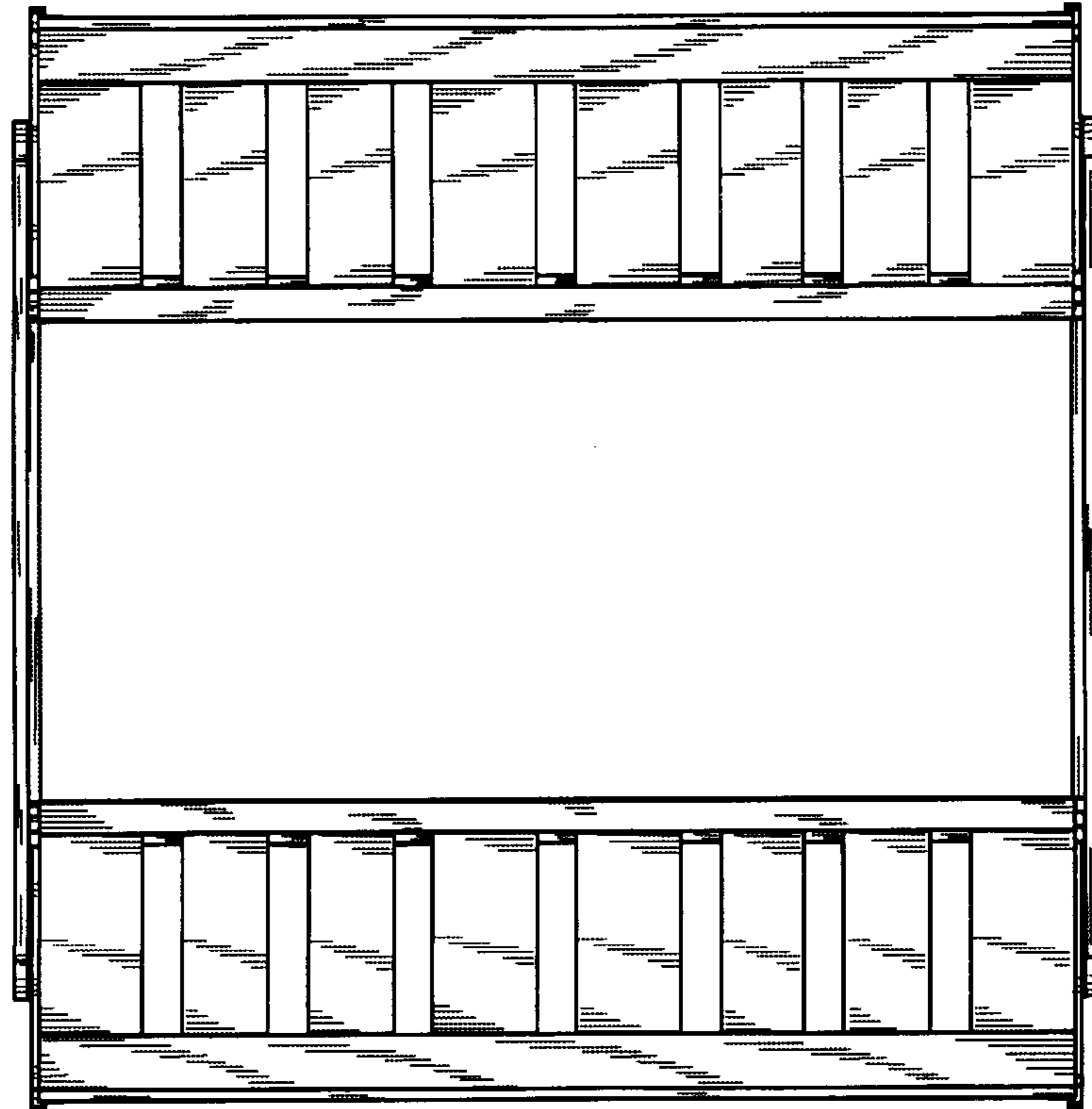
**Fig. 1**



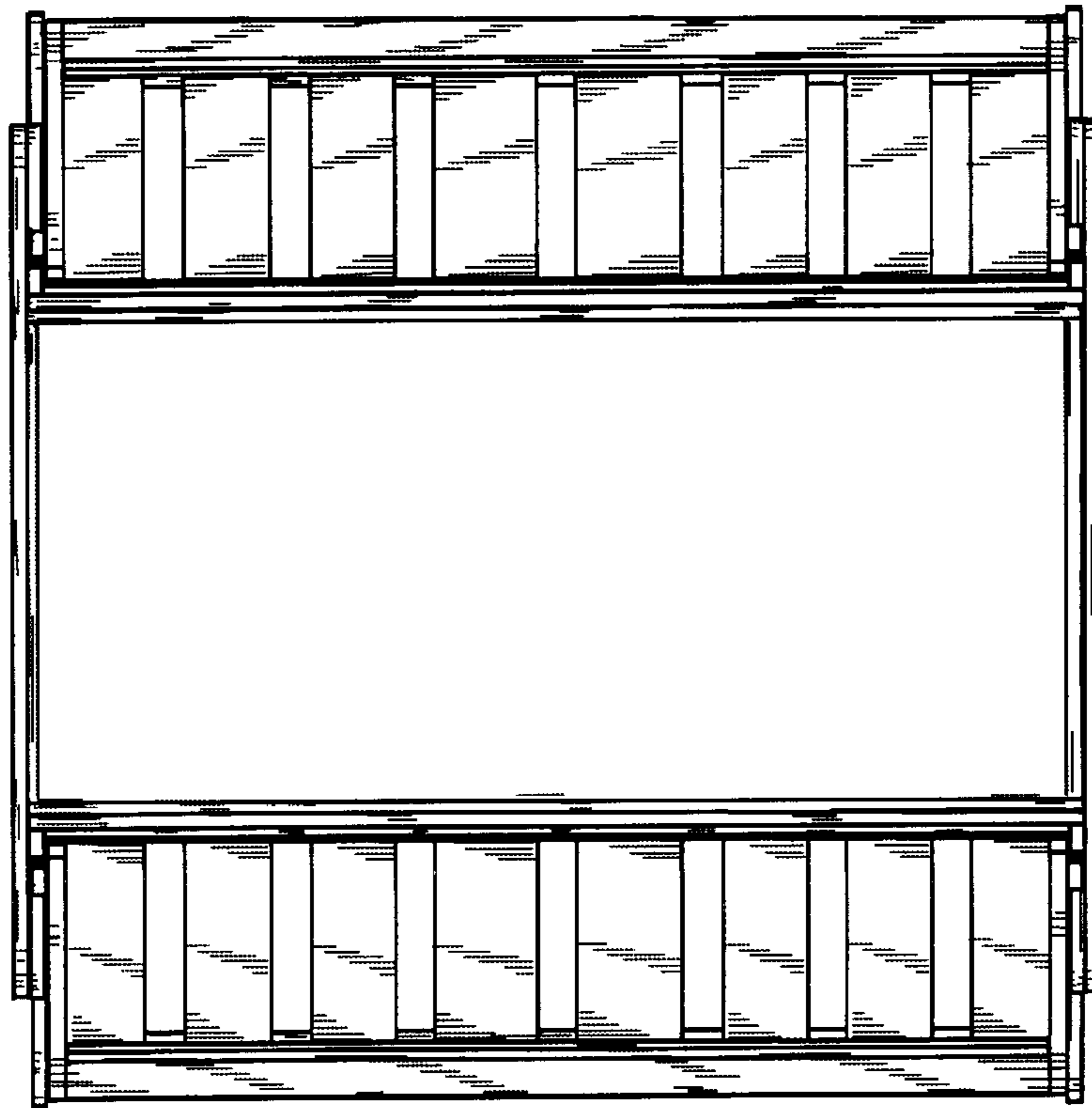
**Fig. 2**



**Fig. 3**



**Fig. 4**



***Fig.5***