



US00D400361S

United States Patent [19] Sobrito

[11] **Patent Number: Des. 400,361**

[45] **Date of Patent: **Nov. 3, 1998**

[54] **DISPLAY BOARD**

[76] Inventor: **William D. Sobrito**, 1420 Moody La.,
Fallon, Nev. 89406

[**] Term: **14 Years**

[21] Appl. No.: **61,492**

[22] Filed: **Oct. 24, 1996**

[51] **LOC (6) Cl. 06-06**

[52] **U.S. Cl. D6/332; D20/10; D6/467;
160/351; D34/21**

[58] **Field of Search D34/12-27; D6/467,
D6/476, 468, 332; D25/53; D19/52; D20/10,
19, 39, 40, 41; 280/79.3; 211/50, 88.01;
40/606; 160/351**

[56] **References Cited**

U.S. PATENT DOCUMENTS

D. 212,407	10/1968	Marsden	D20/10
D. 234,231	1/1975	Alfonso	D20/10
D. 267,608	1/1983	Brescia et al.	D19/52 X
D. 275,579	9/1984	Brown et al.	D20/10
D. 279,631	7/1985	Nowlin, III	D6/467
D. 380,232	6/1997	Egan et al.	D20/10
1,533,837	4/1925	Douglas	280/79.3
1,733,214	10/1929	Alexander et al.	160/351

2,454,648	11/1948	Green	40/606 X
3,017,969	1/1962	Nielsen	160/351
4,020,604	5/1977	Legler et al.	160/351 X
4,037,851	7/1977	Romero	280/79.3
4,127,196	11/1978	Boucher	160/351 X
4,254,569	3/1981	Janik	40/606
4,784,205	11/1988	Johnson et al.	160/351

Primary Examiner—Susan J. Lucas
Assistant Examiner—Cynthia E. Ramirez
Attorney, Agent, or Firm—Brian C. Kelly JDLLM

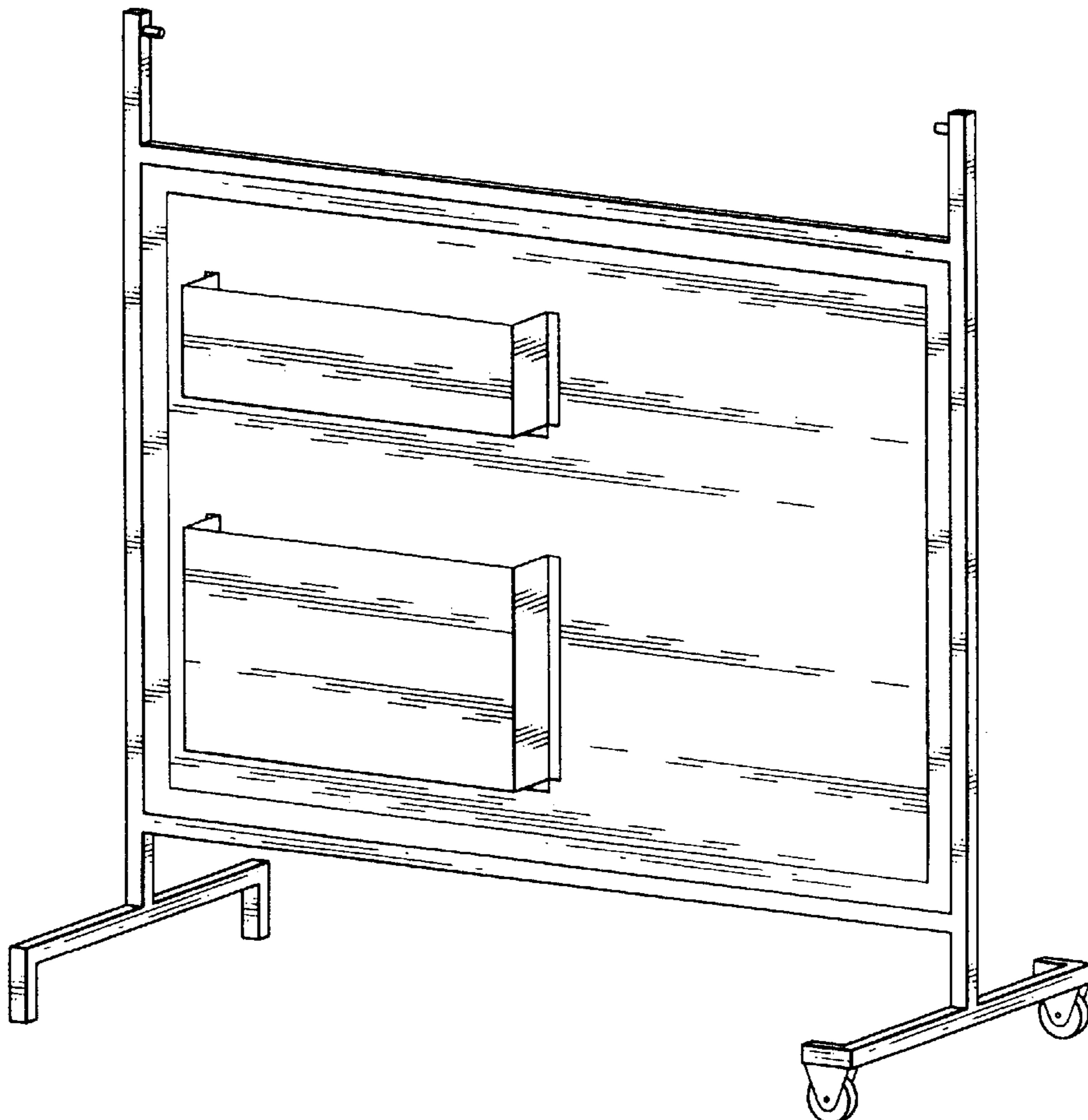
[57] **CLAIM**

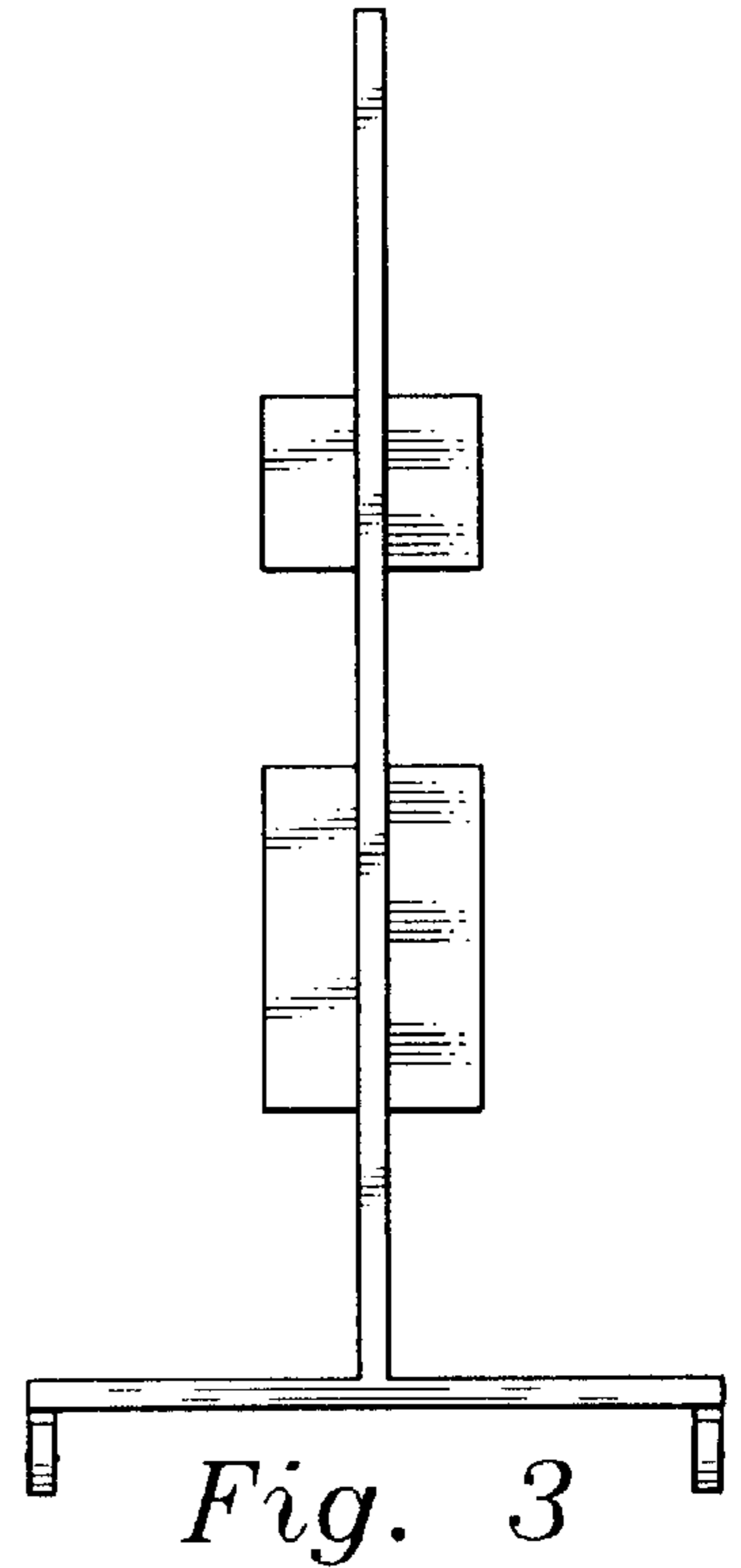
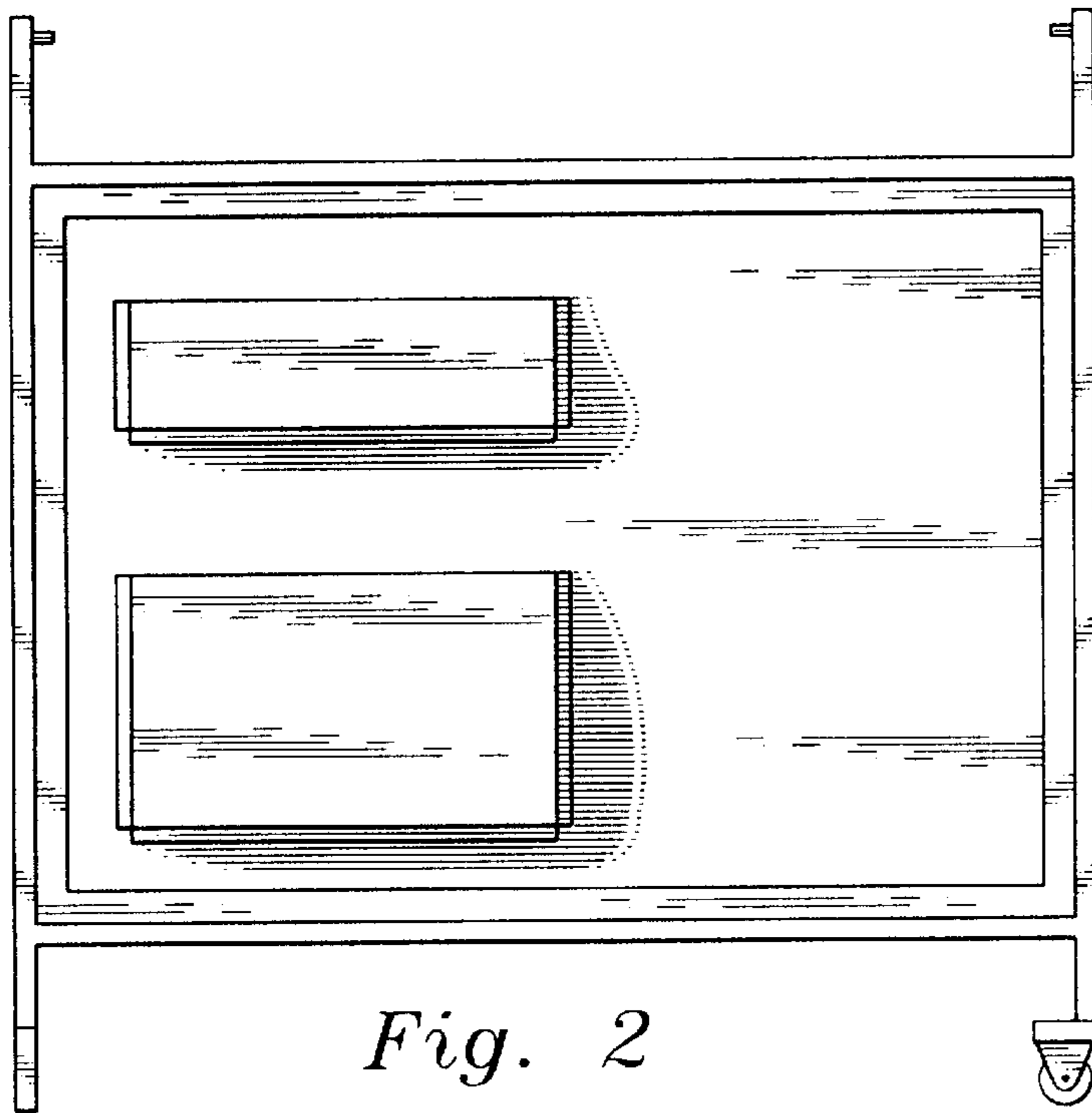
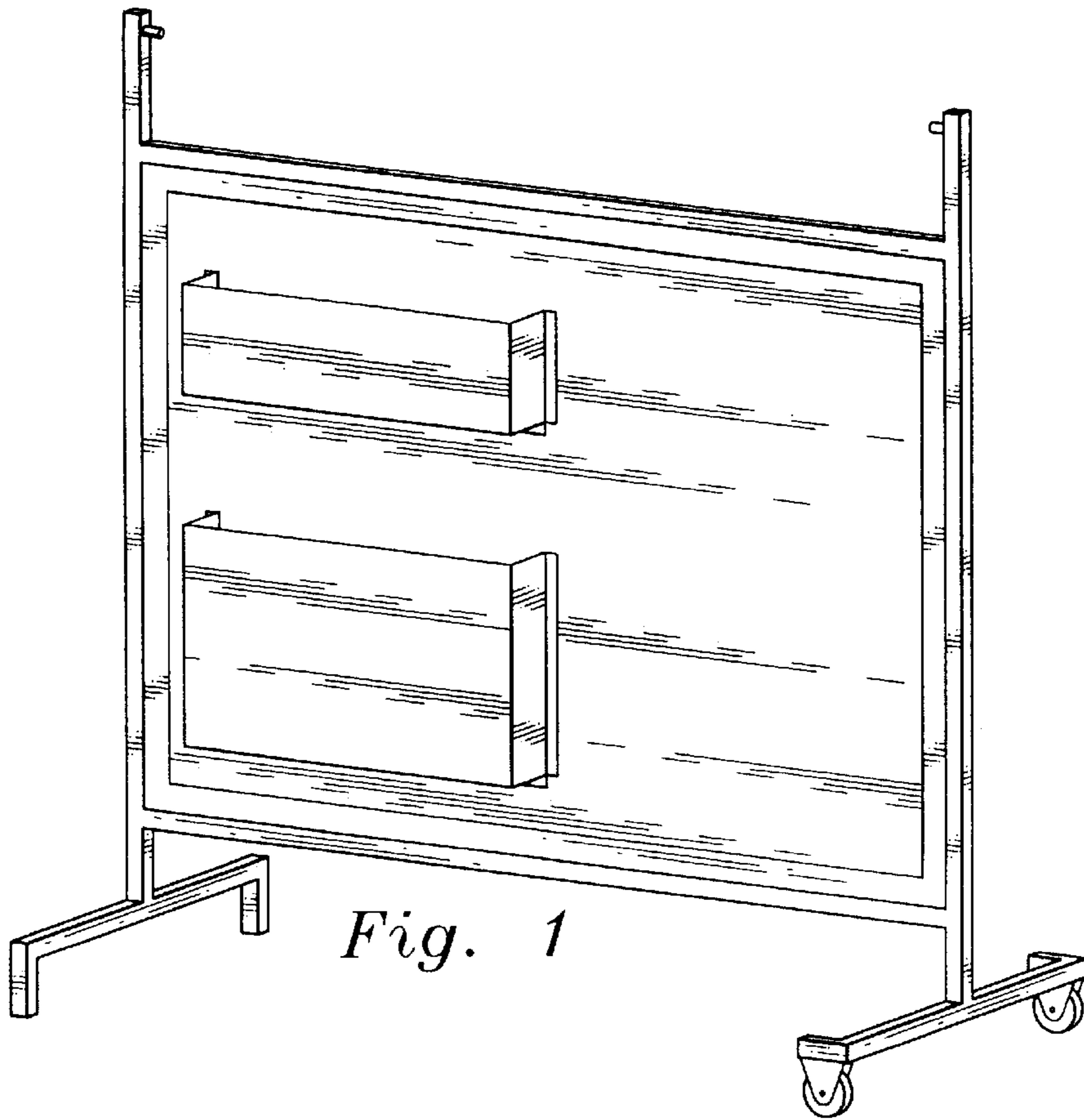
The ornamental design for a display board, as shown and described.

DESCRIPTION

FIG. 1 shows a perspective view of the display board; FIG. 2 shows a front view of the display board; FIG. 3 shows a right side view of the display board; FIG. 4 shows a rear view of the display board; FIG. 5 shows a left side view of the display board; FIG. 6 shows a top view of the display board; and, FIG. 7 shows a bottom view of the display board. The element shown in broken lines in FIG. 4 is for illustrative purposes only and forms no part of the claimed design.

1 Claim, 2 Drawing Sheets





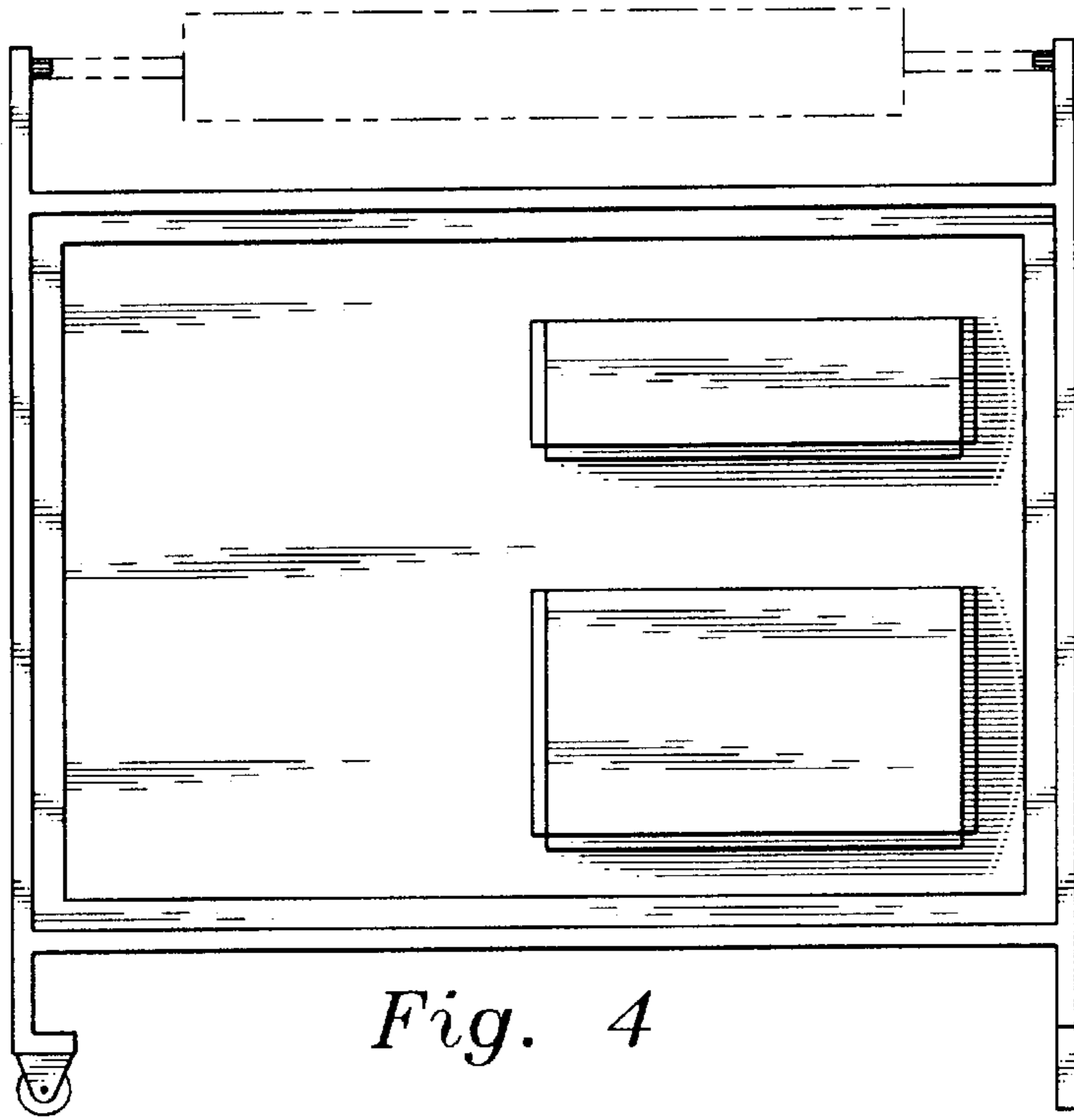


Fig. 4

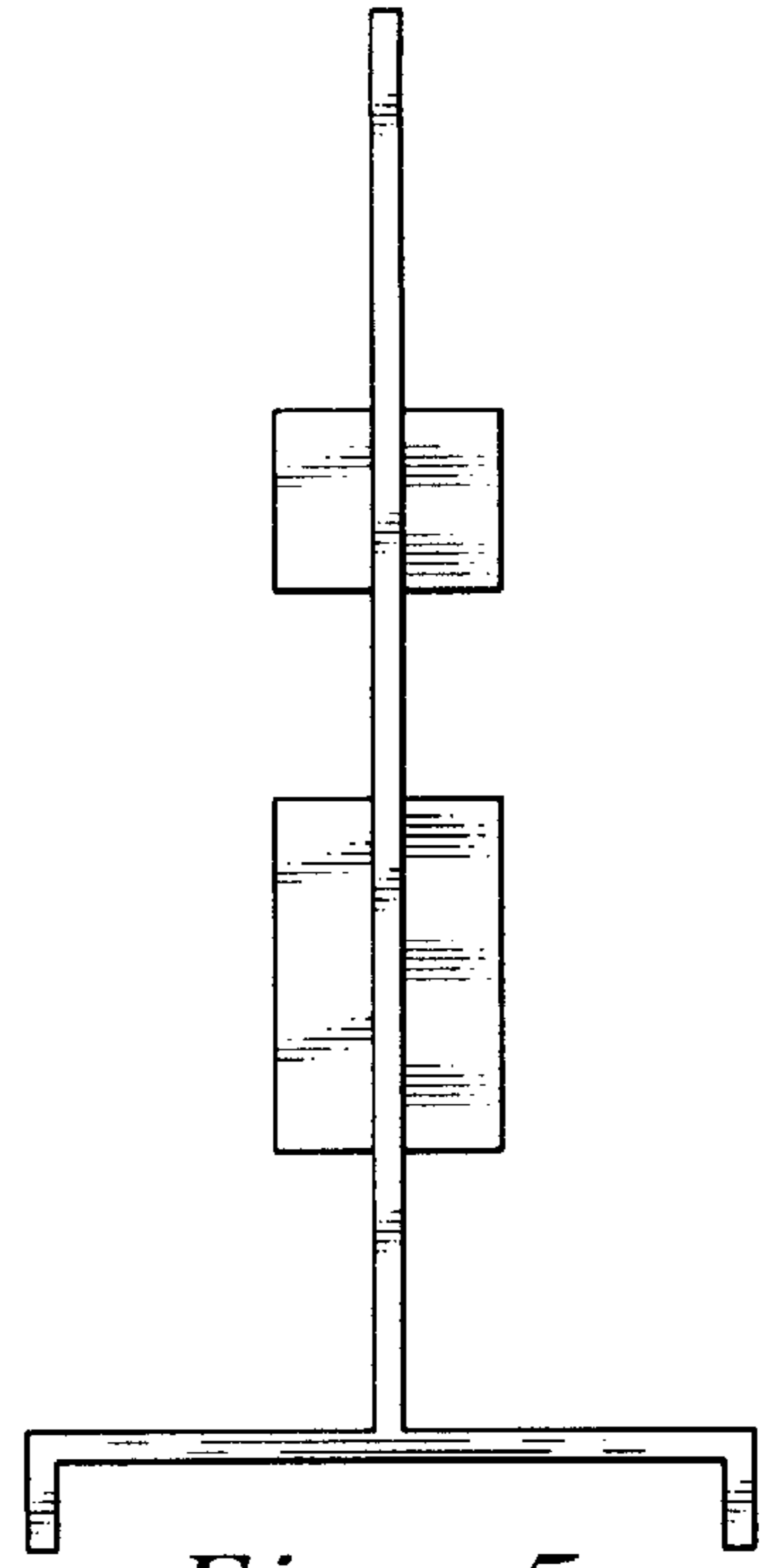


Fig. 5

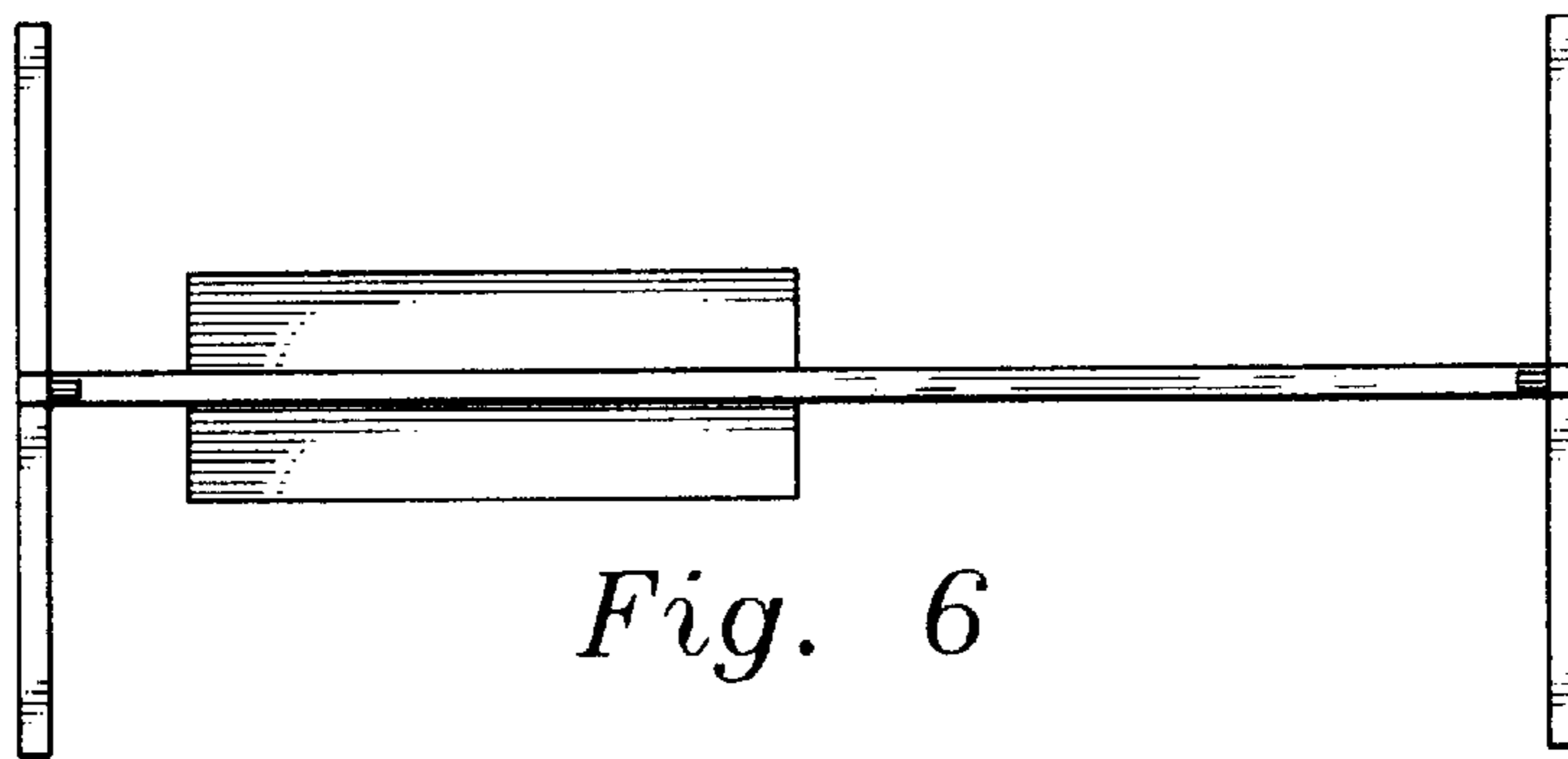


Fig. 6

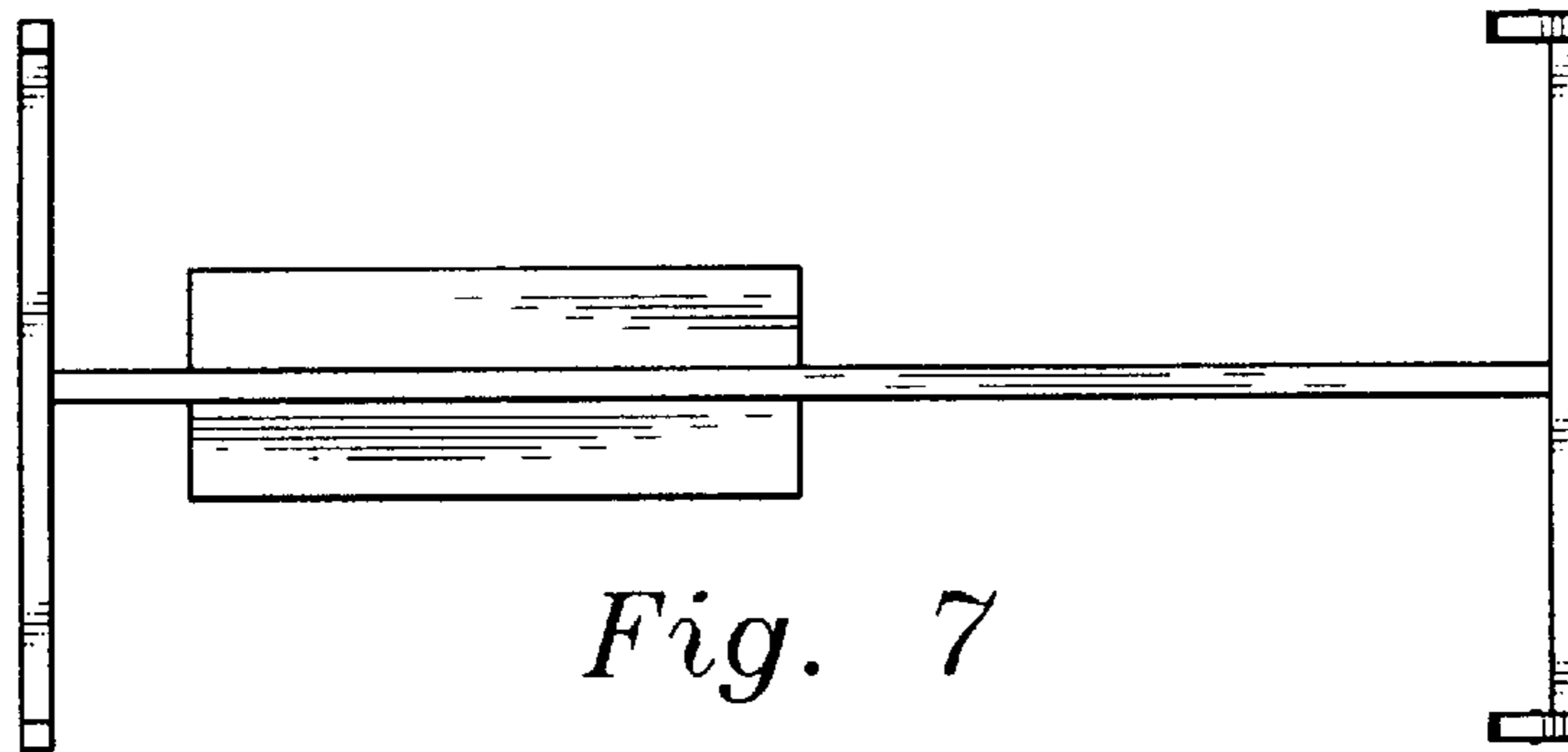


Fig. 7