



US00D400356S

United States Patent [19]

Cade, Jr.

[11] Patent Number: Des. 400,356

[45] Date of Patent: **Nov. 3, 1998

[54] TOOTHBRUSH

[76] Inventor: Jimmy Edward Cade, Jr., 1001 Church La., Yeadon, Pa. 19050

[**] Term: 14 Years

[21] Appl. No.: 78,103

[22] Filed: Oct. 16, 1997

Related U.S. Application Data

[63] Continuation-in-part of Ser. No. 816,842, Mar. 13, 1997, abandoned, and Ser. No. 516,043, Aug. 17, 1995, abandoned.

[51] LOC (6) Cl. 04-02

[52] U.S. Cl. D4/110

[58] Field of Search D4/104-112, 132, D4/138; 15/143.1, 159.1, 167.1, 167.2, 176.1; 132/308, 311; 601/139, 141

[56] References Cited

U.S. PATENT DOCUMENTS

D. 340,808	11/1993	Sherman et al.	D4/104
1,111,144	9/1914	Epstein et al.	15/167.7
1,292,288	1/1919	Fisher	15/176.3
2,292,707	8/1942	Mantell	15/167.1
2,411,610	11/1946	Aaron	15/167.1 X
2,556,500	6/1951	Levine	15/185
3,081,783	3/1963	Miller	132/84
4,033,007	7/1977	Hadary	15/172
4,253,212	3/1981	Fujita	15/167.1
4,306,327	12/1981	Zeski	15/167.1
4,457,039	7/1984	Massari	15/167.1
4,875,248	10/1989	Kent	15/143.1
5,150,495	9/1992	Discko, Jr. et al.	15/167.1
5,165,135	11/1992	Su	15/167.1

5,242,301	9/1993	Hickey et al.	433/141
5,305,490	4/1994	Lundgren	15/167.1
5,315,730	5/1994	Kim et al.	15/167.1
5,383,244	1/1995	Ahrens et al.	15/106
5,517,713	5/1996	Hadcock	15/167.1
5,522,109	6/1996	Chan	15/106
5,673,453	10/1997	Huang	15/167.1

FOREIGN PATENT DOCUMENTS

680954	5/1930	France	15/167.1
715589	9/1931	France	15/167.1
685019	3/1965	Italy	15/167.1
17423	7/1996	United Kingdom	15/167.1

Primary Examiner—Alan P. Douglas
Assistant Examiner—Lavone D. Tabor
Attorney, Agent, or Firm—Volpe and Koenig, P.C.

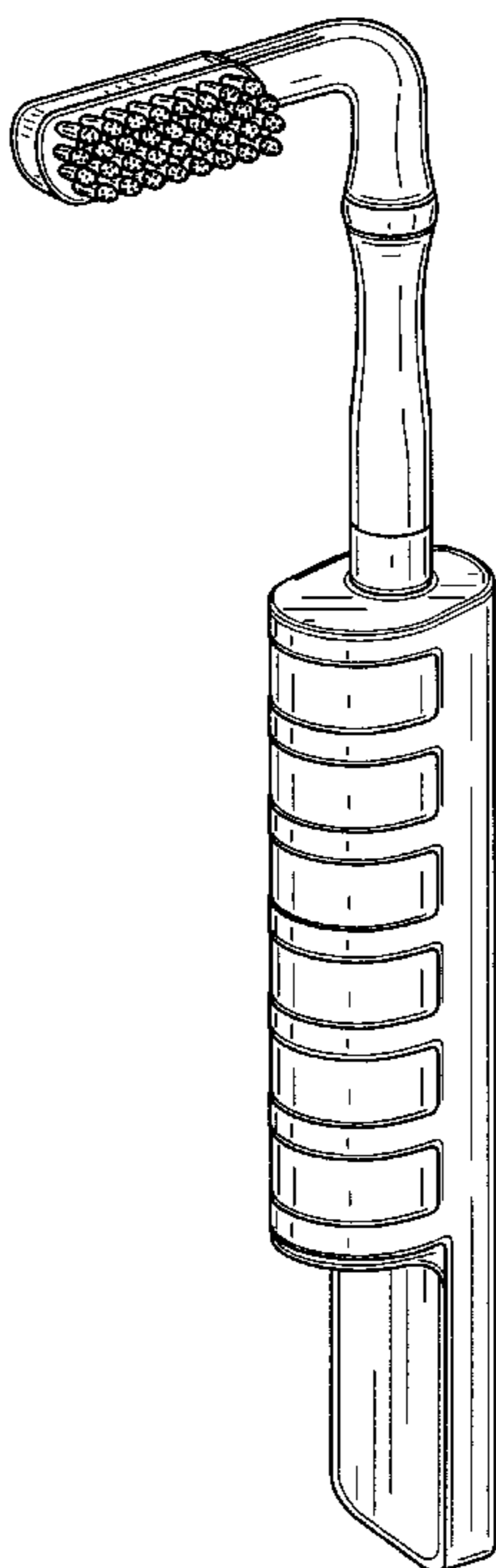
[57] CLAIM

The ornamental design for a toothbrush, as shown and described.

DESCRIPTION

FIG. 1 is an isometric view of my design for a toothbrush; FIG. 2 is a left side elevation view of the toothbrush shown in FIG. 1; FIG. 3 is a right side elevation view of the toothbrush shown in FIG. 1; FIG. 4 is a rear elevation view of the toothbrush shown in FIG. 1; FIG. 5 is a front elevation view of the toothbrush shown in FIG. 1; FIG. 6 is a top plan view of the toothbrush shown in FIG. 1; and, FIG. 7 is a bottom plan view of the toothbrush shown in FIG. 1.

1 Claim, 5 Drawing Sheets



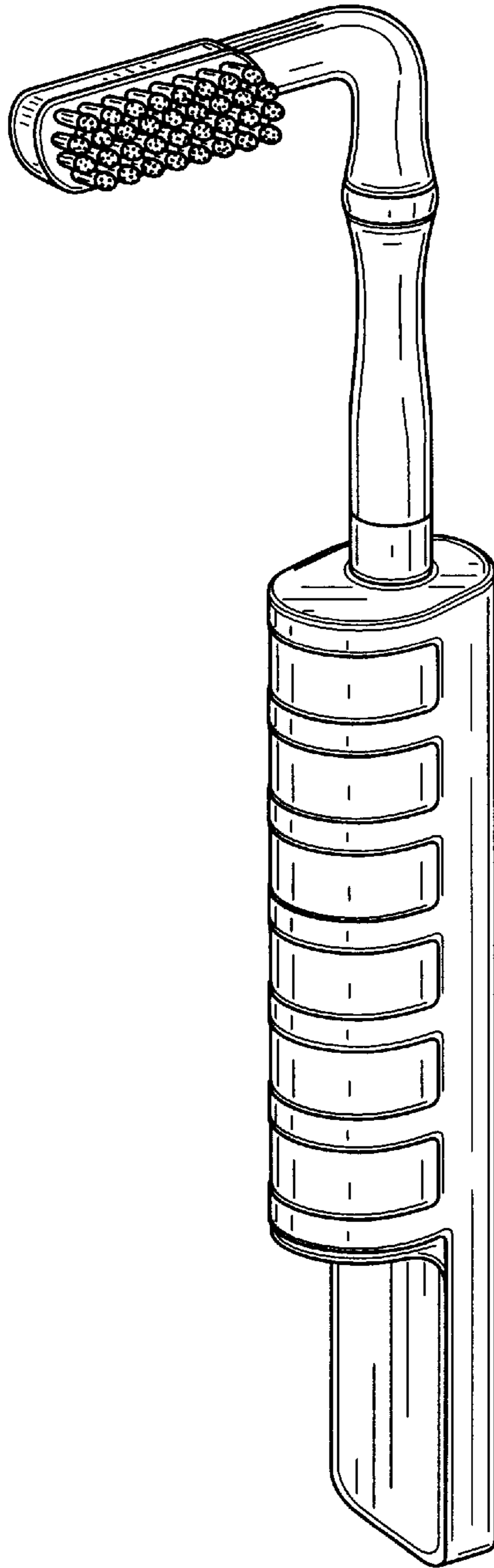


FIG. 1

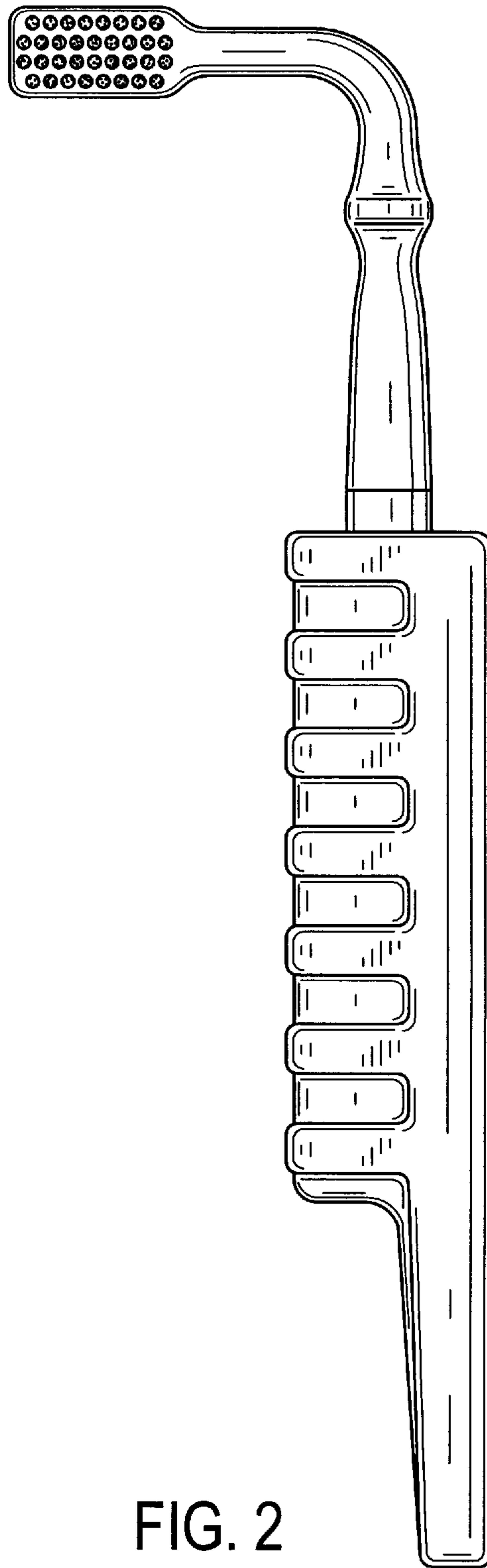


FIG. 2

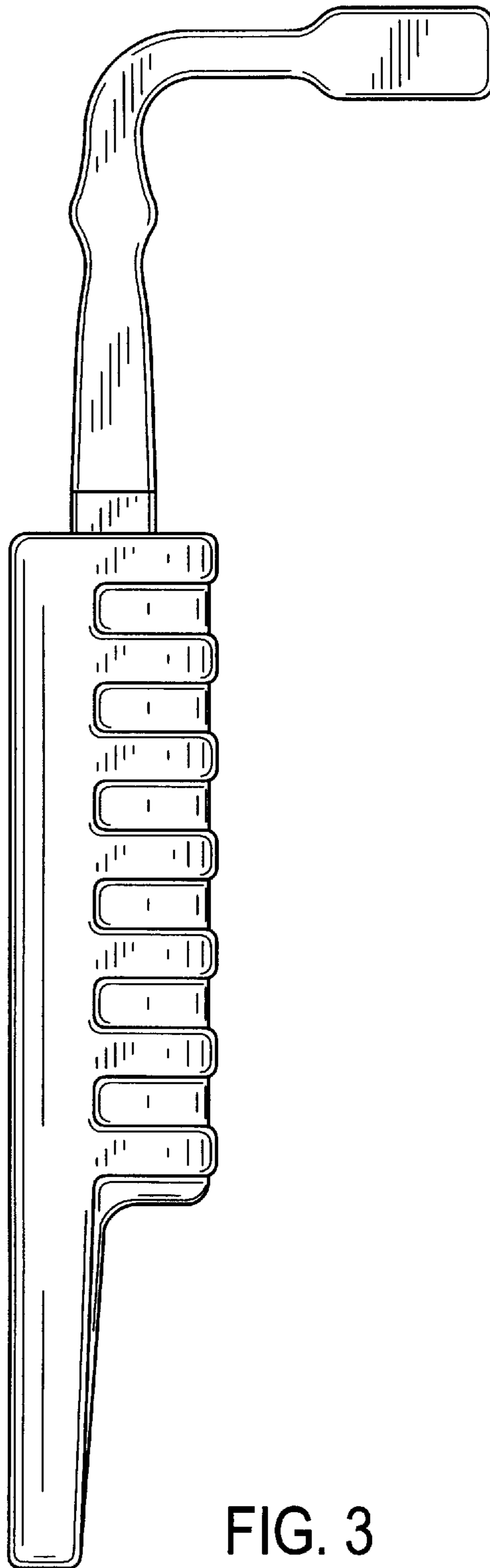


FIG. 3

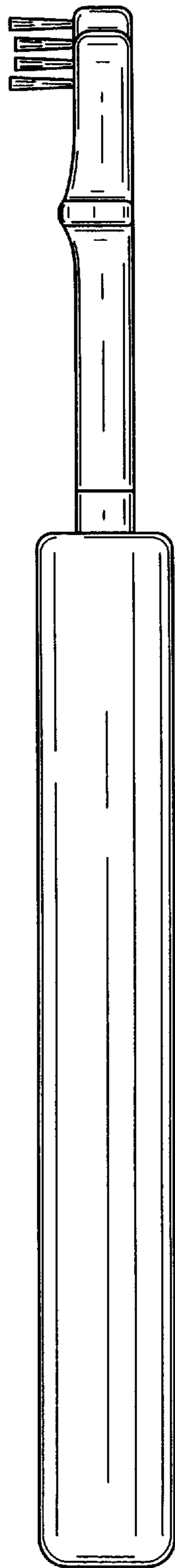


FIG. 4

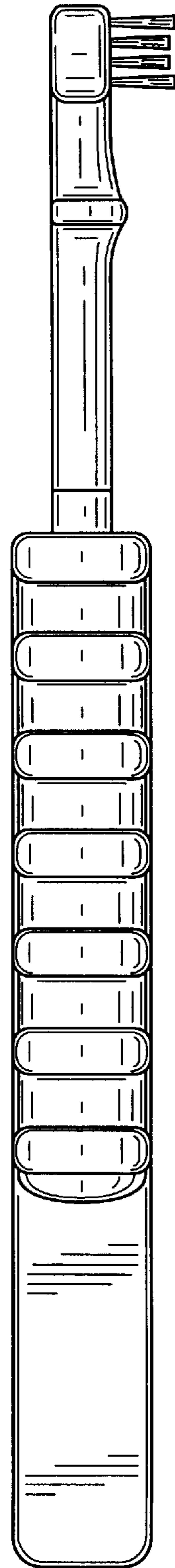


FIG. 5

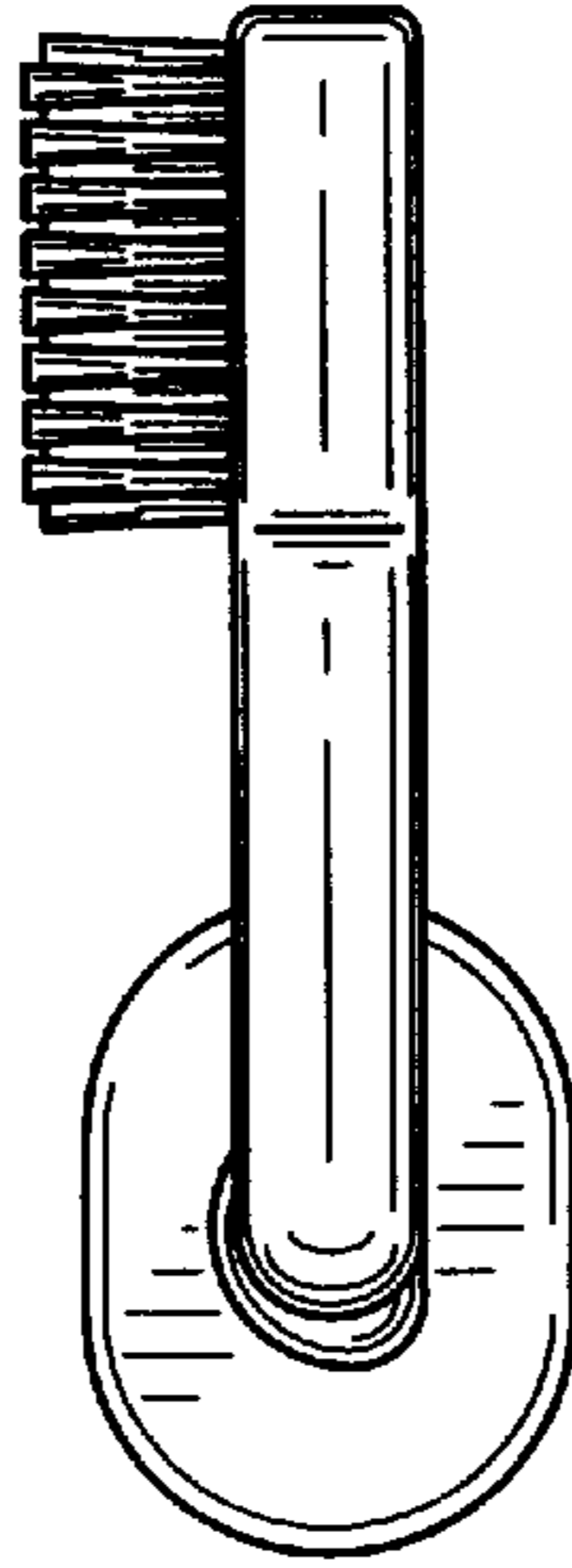


FIG. 6

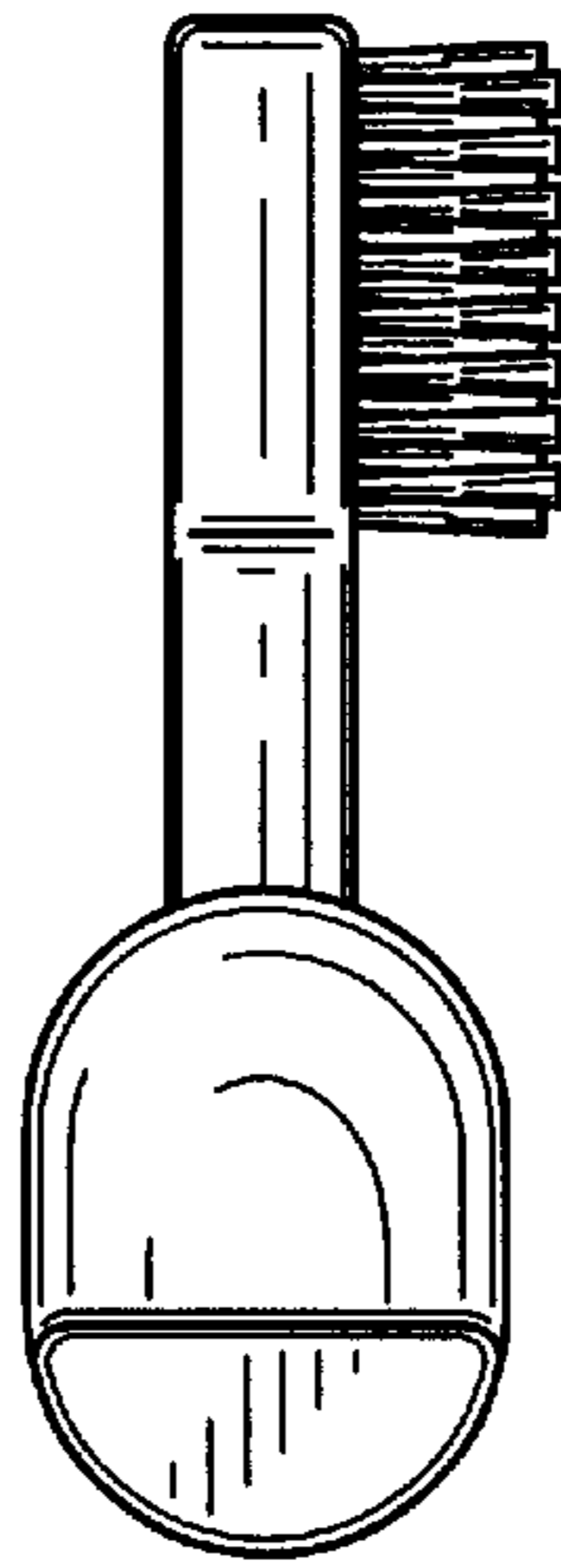


FIG. 7