



US00D400355S

# United States Patent [19]

**Apenes**

[11] **Patent Number: Des. 400,355**

[45] **Date of Patent: \*\*Nov. 3, 1998**

[54] **SHOPPING BASKET**

D. 331,307 11/1992 McConnell ..... D3/308  
5,353,930 10/1994 Berry ..... 206/370

[76] Inventor: **Trond Apenes**, Gratenv. 30, 1315  
Nesoya, Norway

*Primary Examiner*—Philip S. Hyder  
*Assistant Examiner*—Richelle Shelton  
*Attorney, Agent, or Firm*—Bacon & Thomas

[\*\*] Term: **14 Years**

[21] Appl. No.: **76,460**

[57] **CLAIM**

[22] Filed: **Sep. 22, 1997**

The ornamental design for a shopping basket, as shown and described.

[30] **Foreign Application Priority Data**

**DESCRIPTION**

Mar. 21, 1997 [NO] Norway ..... 970188

[51] **LOC (6) Cl.** ..... **03-01**

[52] **U.S. Cl.** ..... **D3/309**

[58] **Field of Search** ..... D3/304, 307-314;  
D7/709; 220/761, 763, 769, 773, 776; 206/370,  
503, 505-507

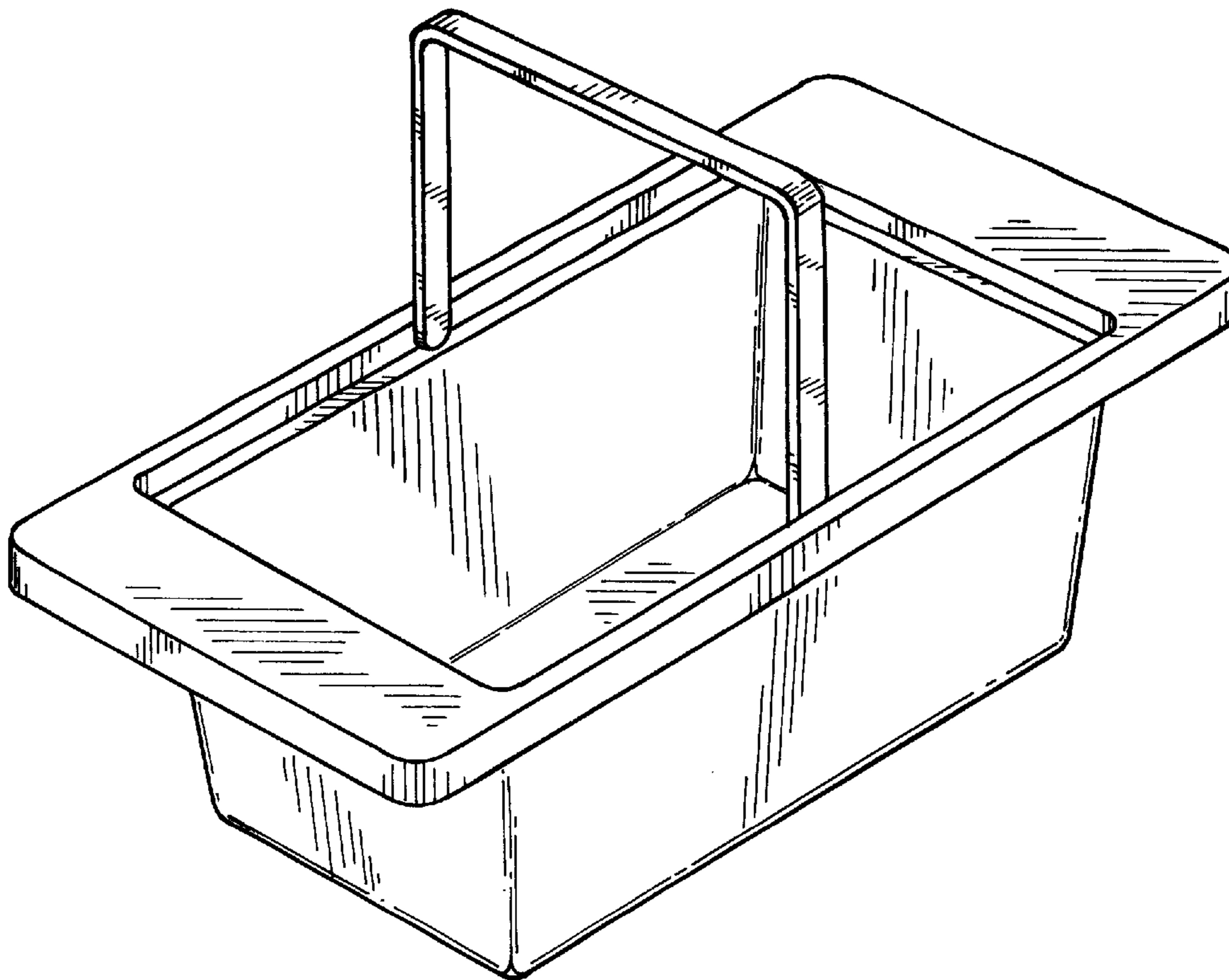
FIG. 1 is an upper left perspective view of a shopping basket showing my new design;  
FIG. 2 is a lower left front side perspective view thereof, the lower right rear perspective view being a mirror image thereof;  
FIG. 3 is a top plan view thereof;  
FIG. 4 is a front elevation view thereof, the rear side being a mirror image thereof; and,  
FIG. 5 is a left side elevation view thereof; the right side being a mirror image thereof.

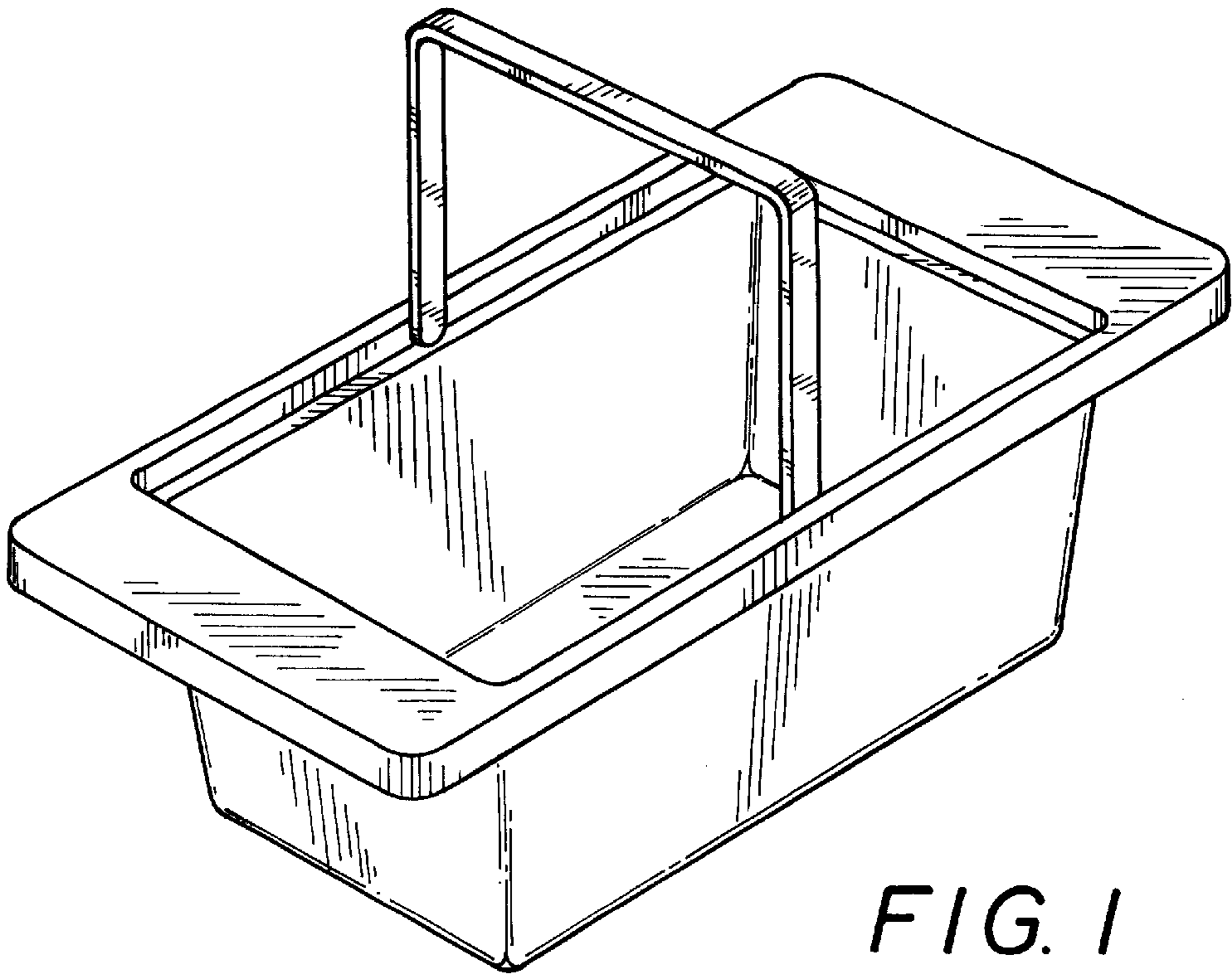
[56] **References Cited**

**U.S. PATENT DOCUMENTS**

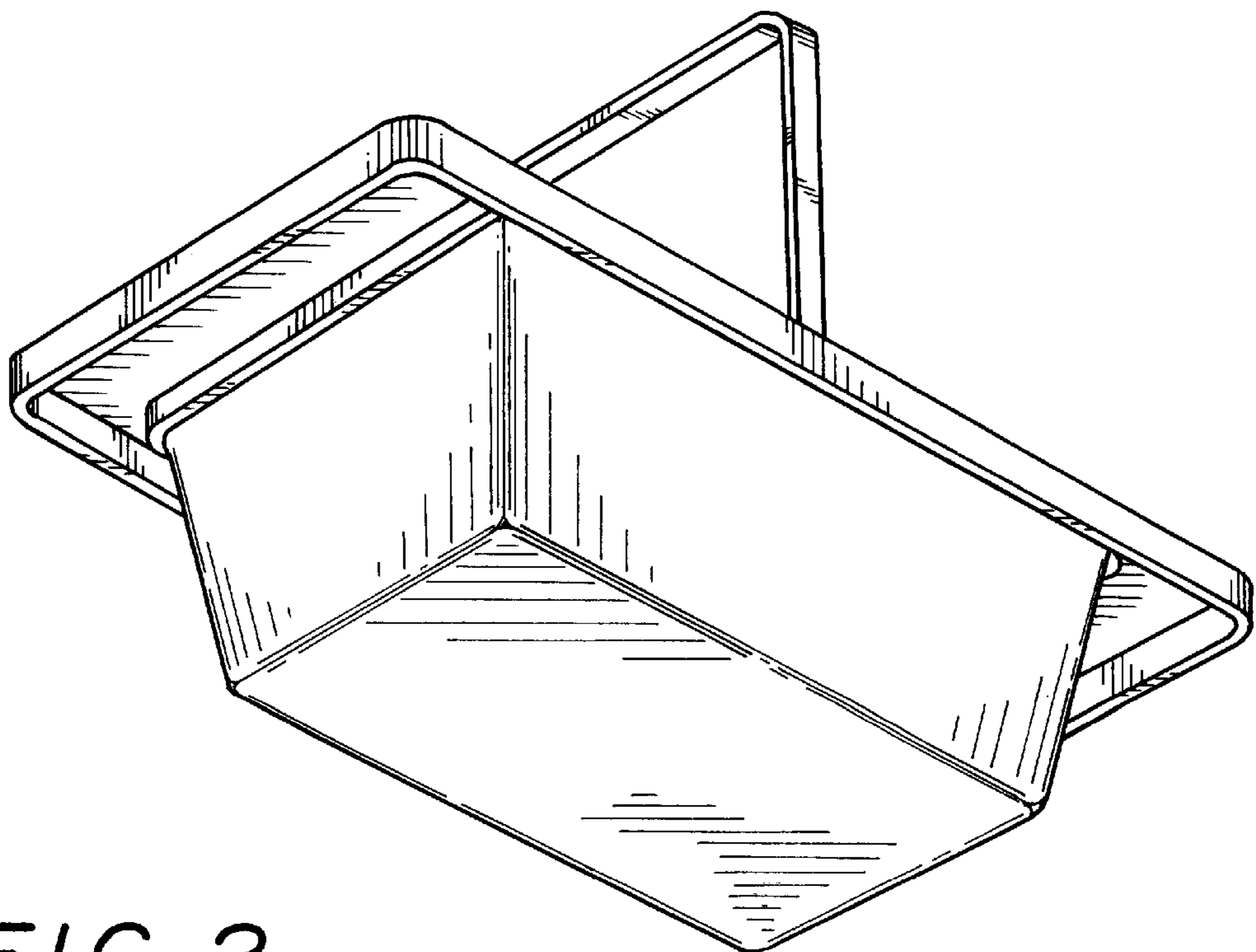
D. 259,099 5/1981 Davis ..... D3/309  
D. 276,281 11/1984 Landgren ..... D3/309

**1 Claim, 3 Drawing Sheets**



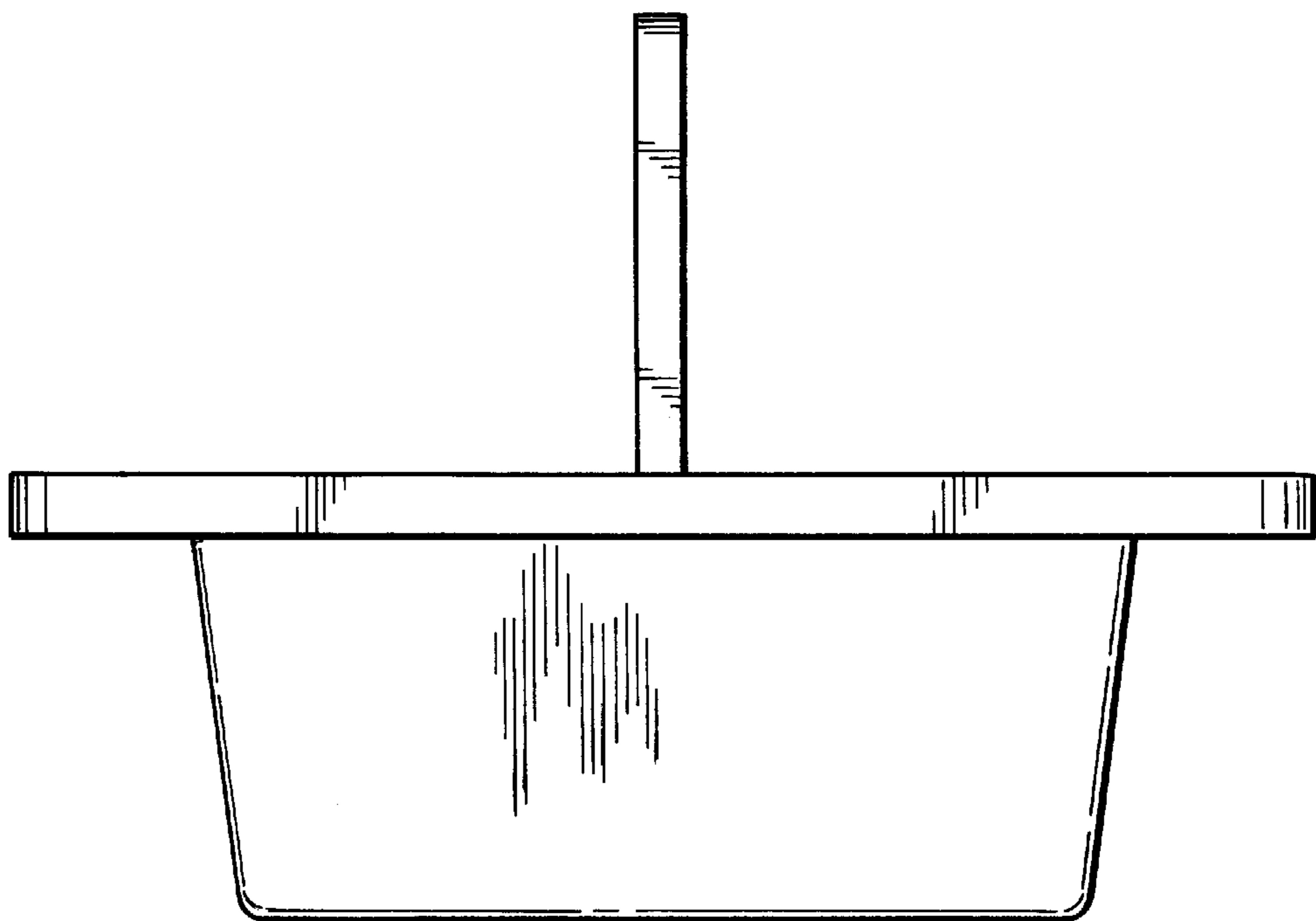
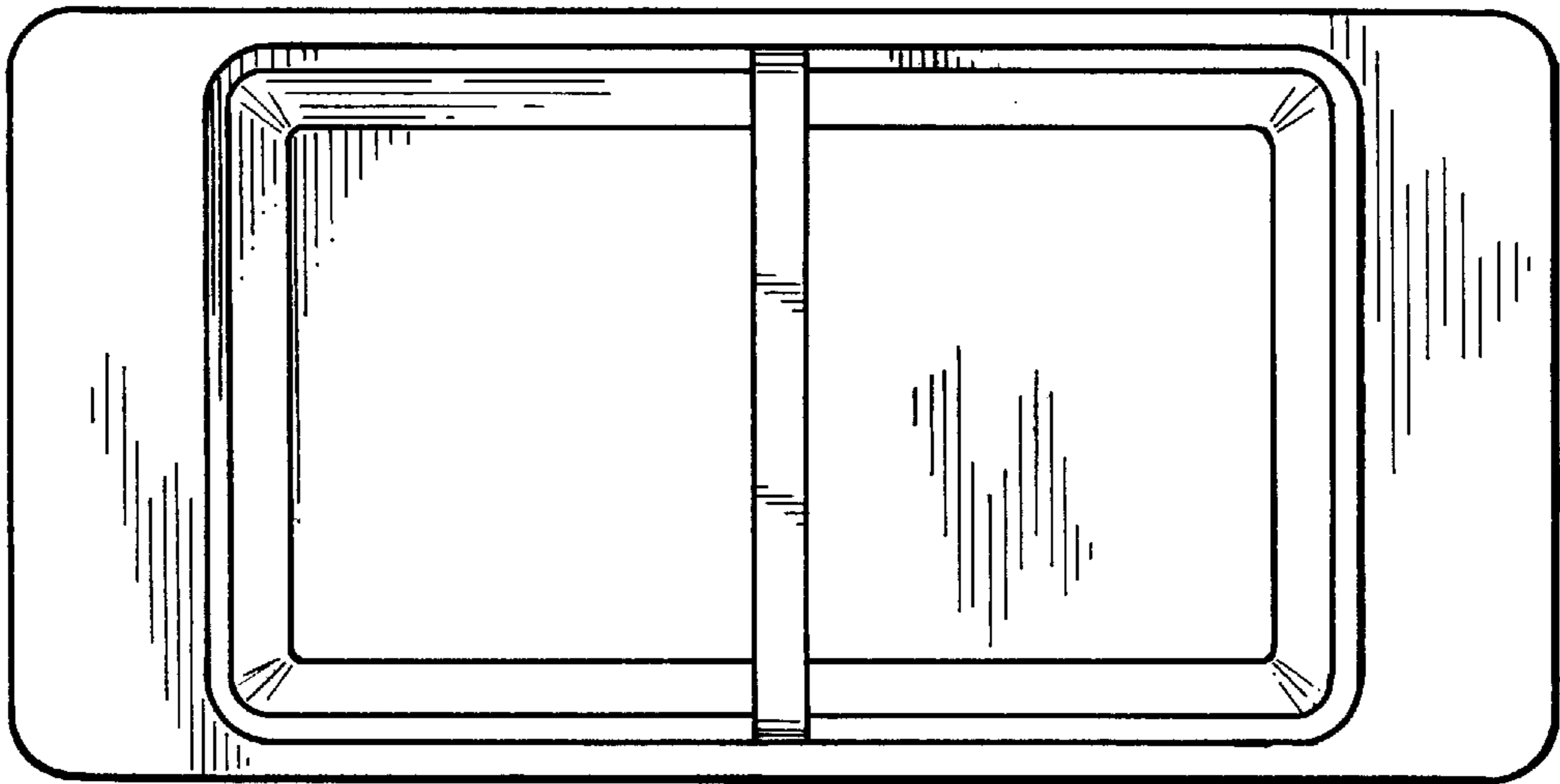


*FIG. 1*

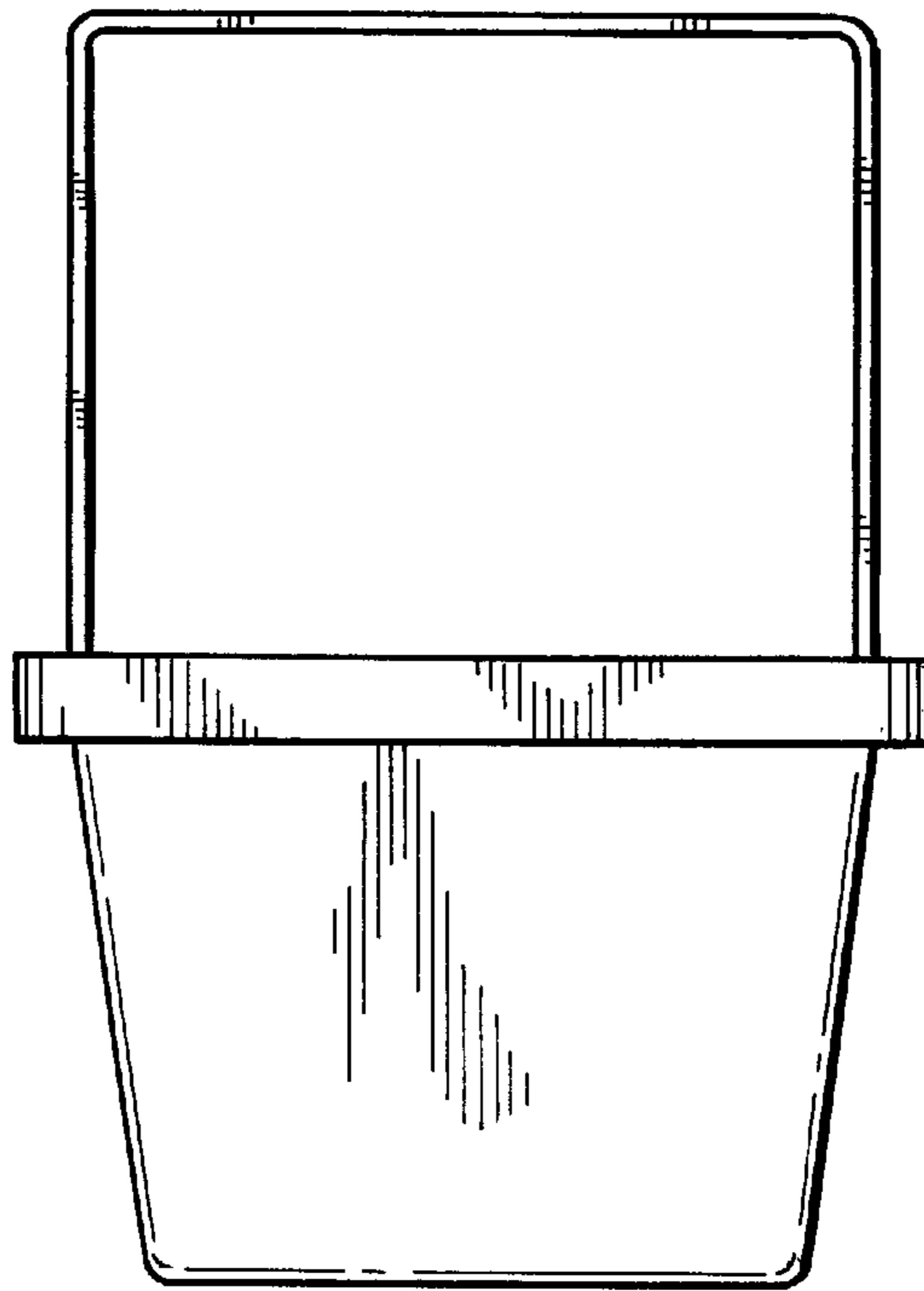


*FIG. 2*

*FIG. 3*



*FIG. 4*



*FIG. 5*