



US00D400353S

United States Patent [19]
Callanan

[11] **Patent Number: Des. 400,353**

[45] **Date of Patent: **Nov. 3, 1998**

[54] **BAG FOR CARRYING IN-LINE SKATES AND ACCESSORIES**

Attorney, Agent, or Firm—Seed and Berry LLP; Kevin S. Costanza

[76] Inventor: **Megan Callanan**, 13573 Almond, Tustin, Calif. 92782

[**] Term: **14 Years**

[57] **CLAIM**

The ornamental design for a bag for carrying in-line skates and accessories, as shown and described.

[21] Appl. No.: **62,672**

[22] Filed: **Nov. 21, 1996**

DESCRIPTION

[51] **LOC (6) Cl.** **03-01**

[52] **U.S. Cl.** **D3/254**

[58] **Field of Search** D3/254, 216, 217, D3/261, 317, 269; 224/153; 206/315.1

FIG. 1 is a front perspective view of the bag carrying in-line skates and accessories showing my new design;

FIG. 2 is a rear elevation view thereof;

FIG. 3 is a right side elevation view thereof;

FIG. 4 is a top plan view thereof;

FIG. 5 is front elevation view thereof;

FIG. 6 is a left side elevation view thereof; and,

FIG. 7 is a bottom plan view thereof.

[56] **References Cited**

U.S. PATENT DOCUMENTS

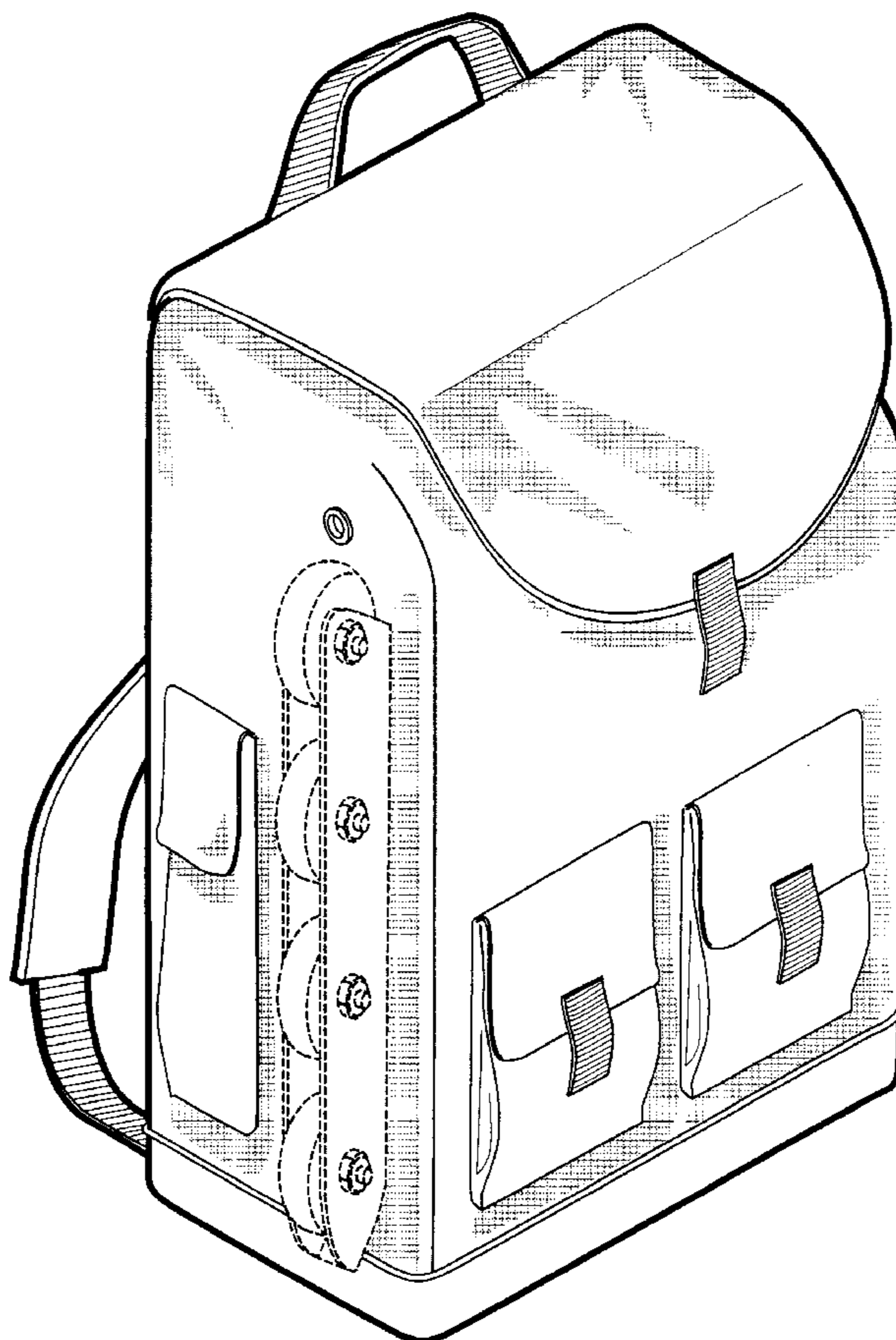
D. 343,513	1/1994	DiTizio	D3/217
D. 361,889	9/1995	Rhines	D3/261
D. 362,544	9/1995	Vincent	D3/261
D. 367,173	2/1996	Trihus	D3/216
5,431,317	7/1995	Kliot	224/153

OTHER PUBLICATIONS

Earnshaw's Infants Girls/Boys Wear vol. 72. Jan.–Jun. 1988, p. 169.

Primary Examiner—Doris V. Coles
Assistant Examiner—Catherine R. Oliver

1 Claim, 3 Drawing Sheets



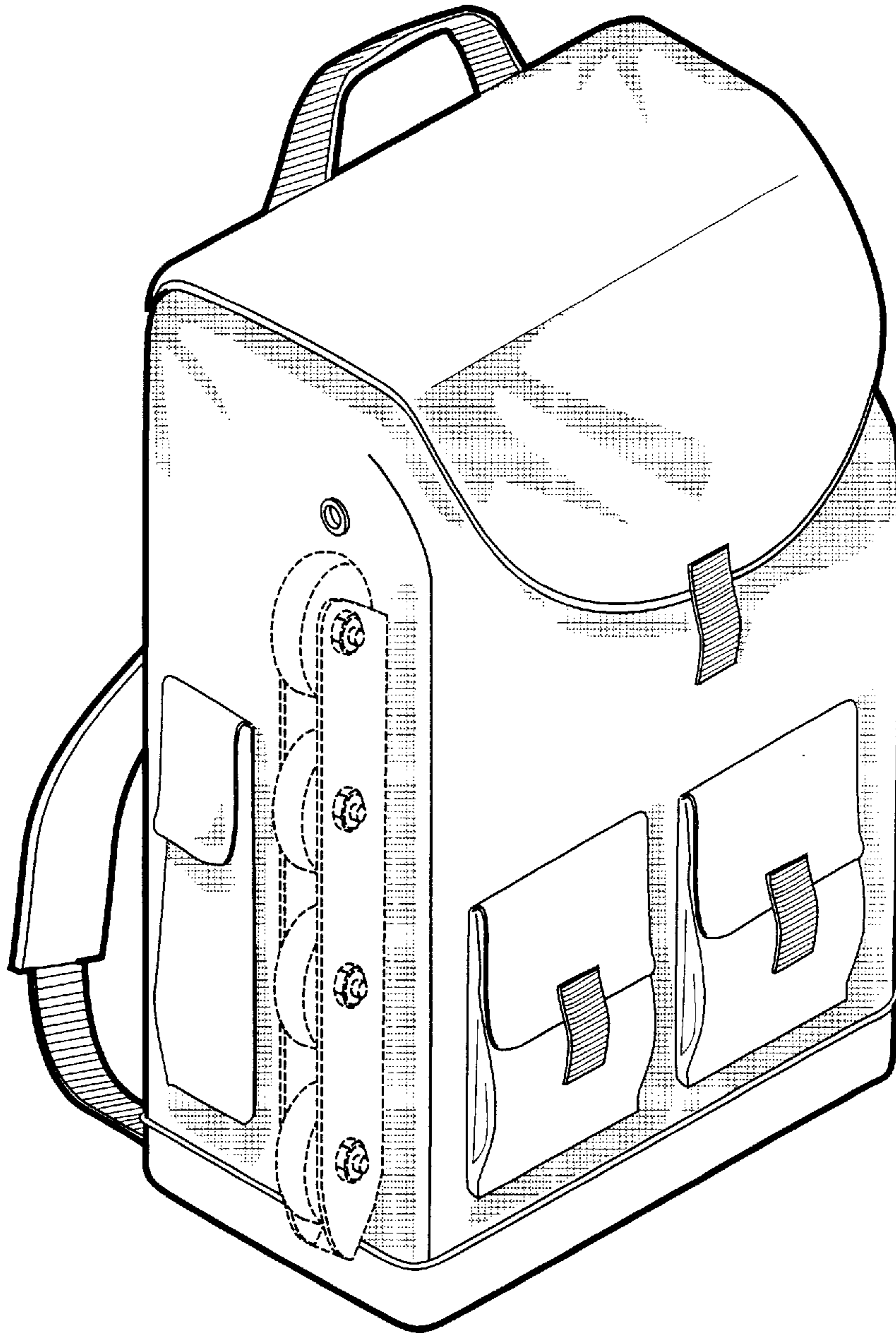


FIG. 1

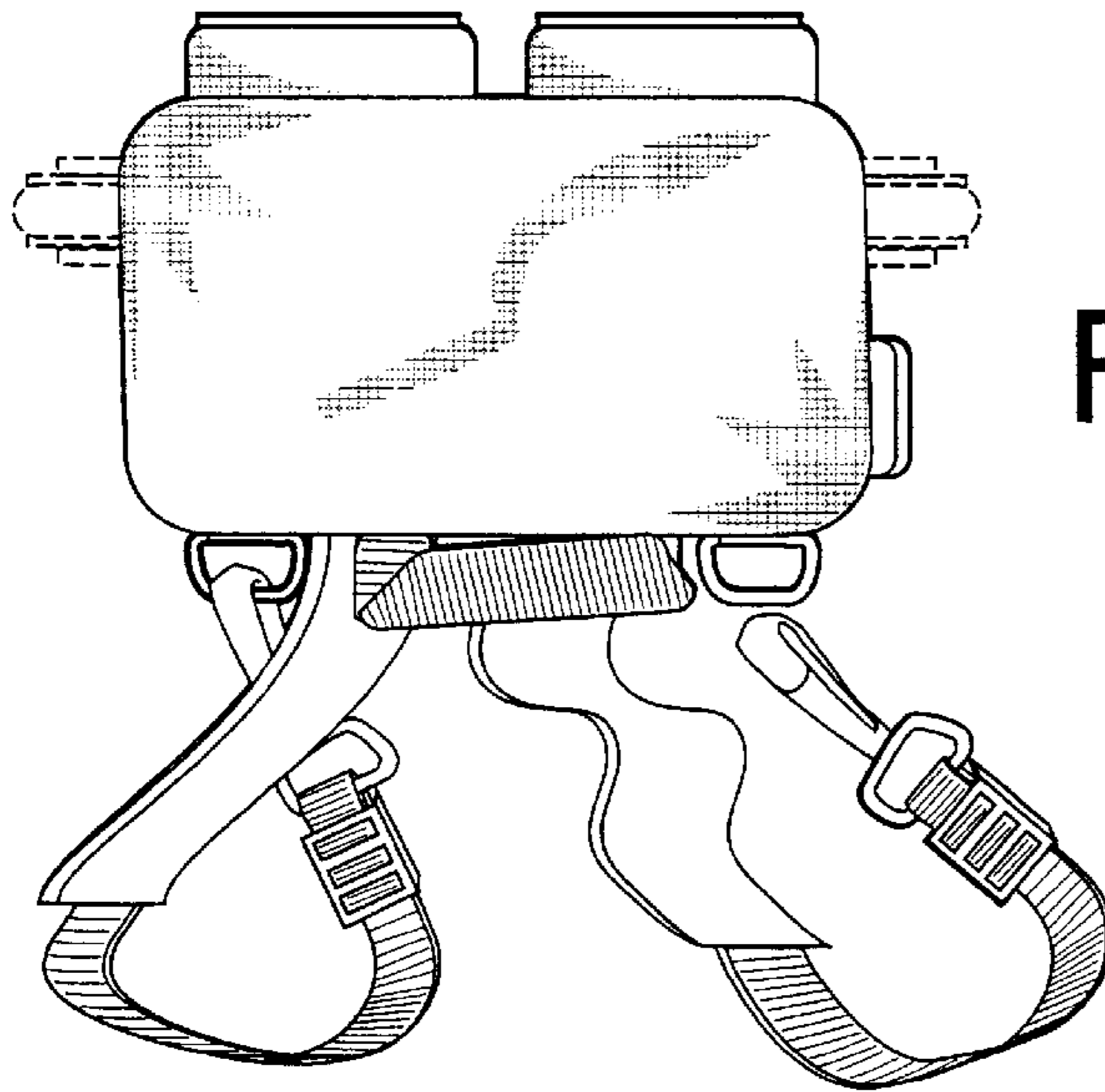


FIG. 4

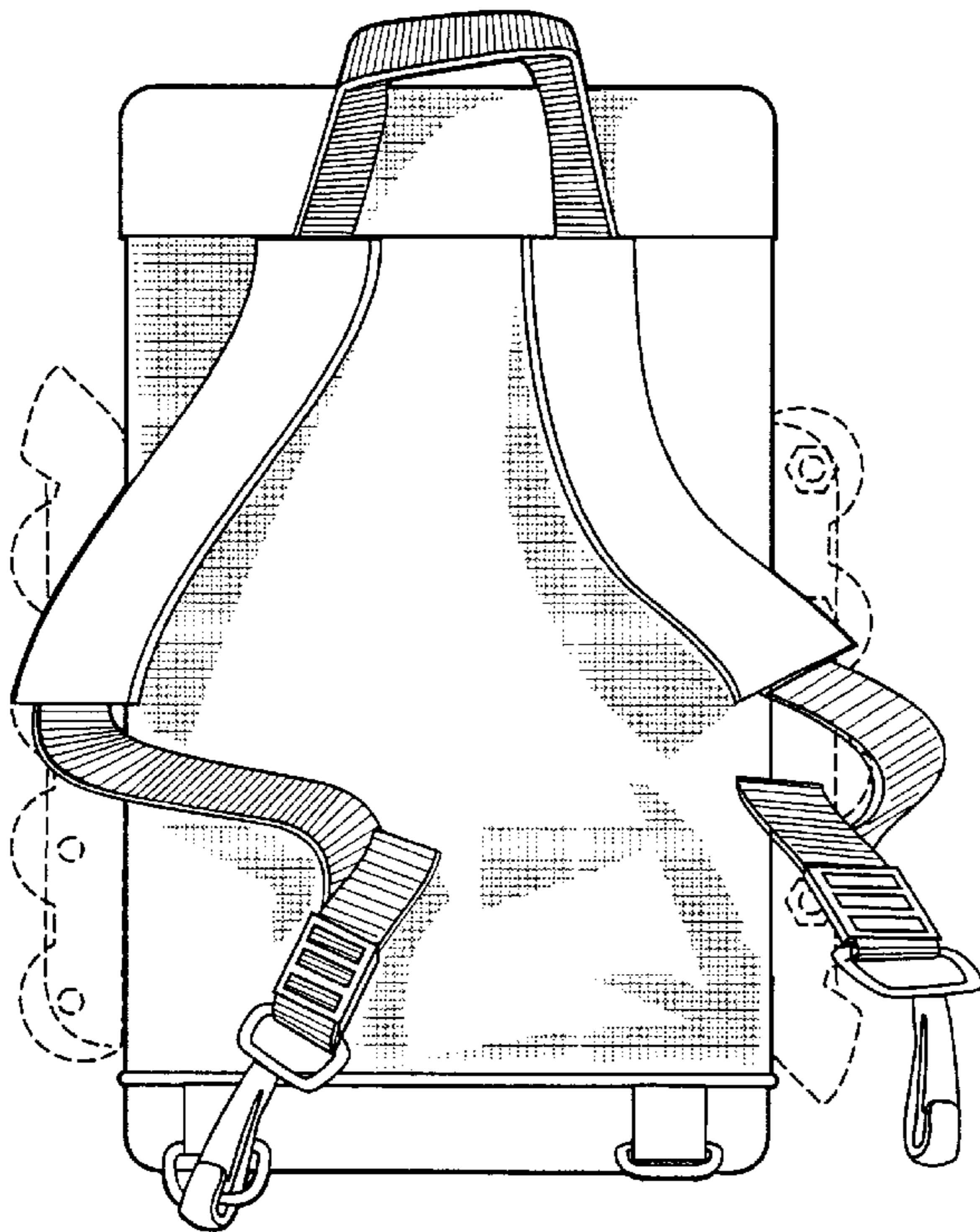


FIG. 2

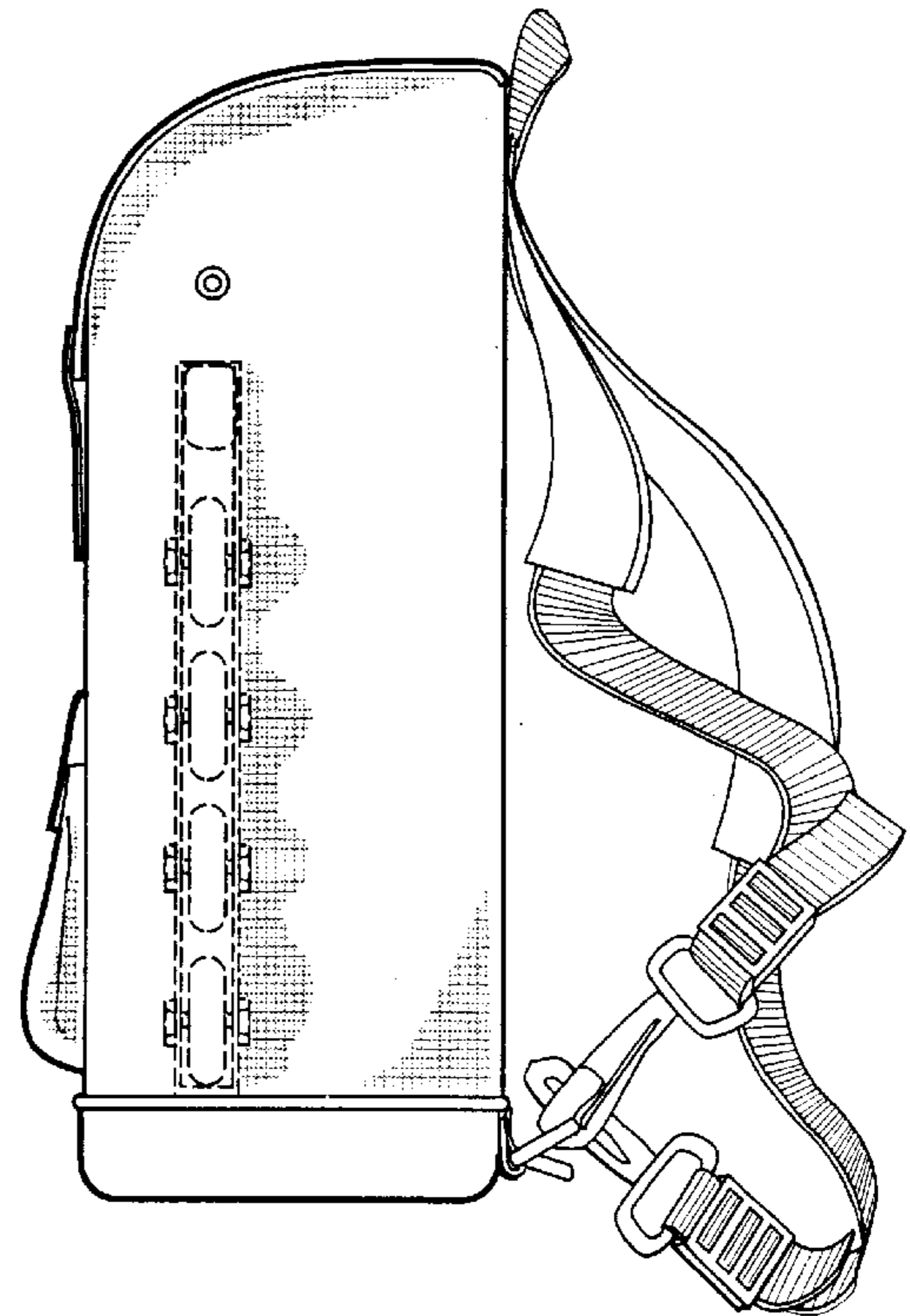


FIG. 3

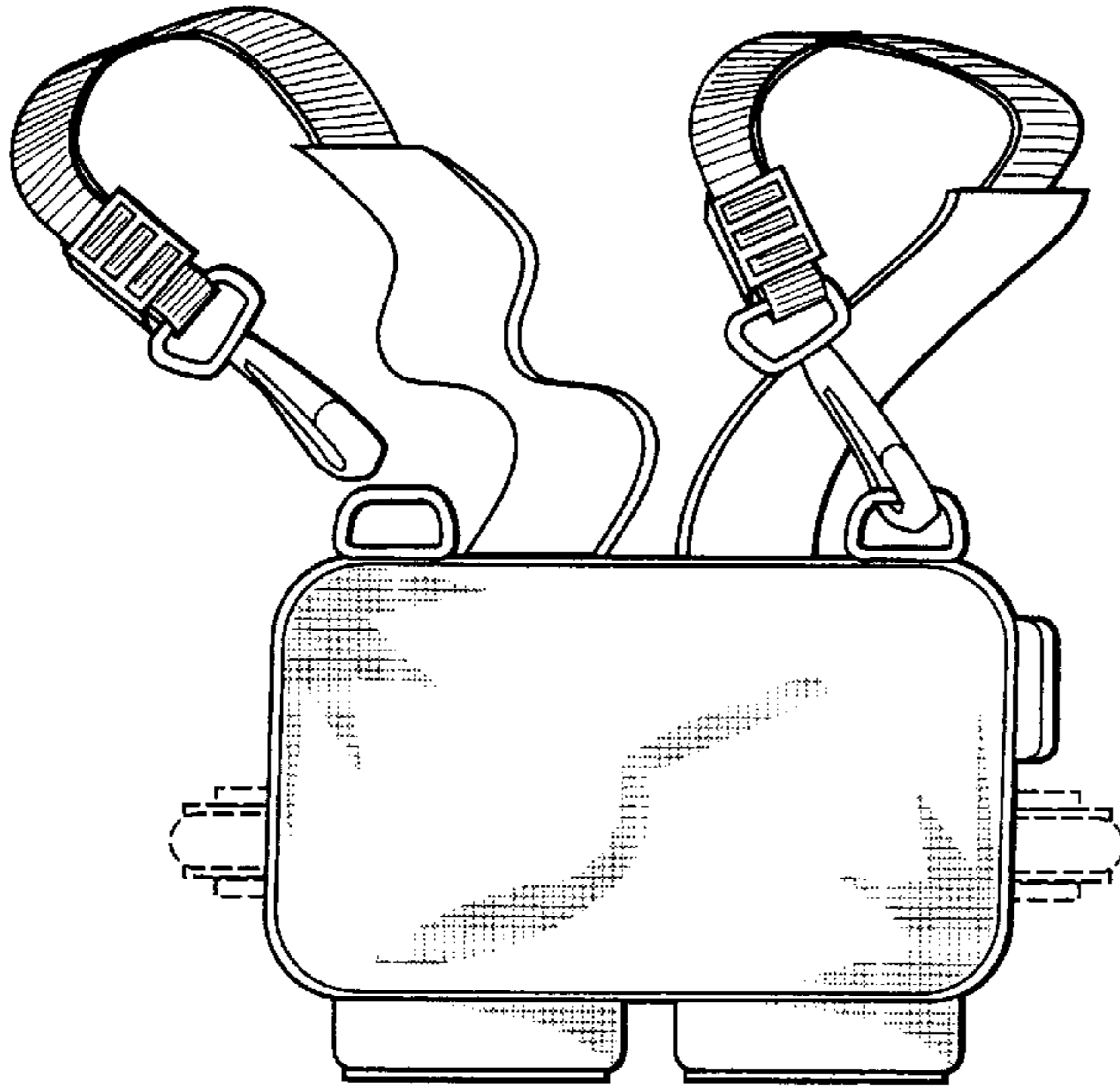


FIG. 7

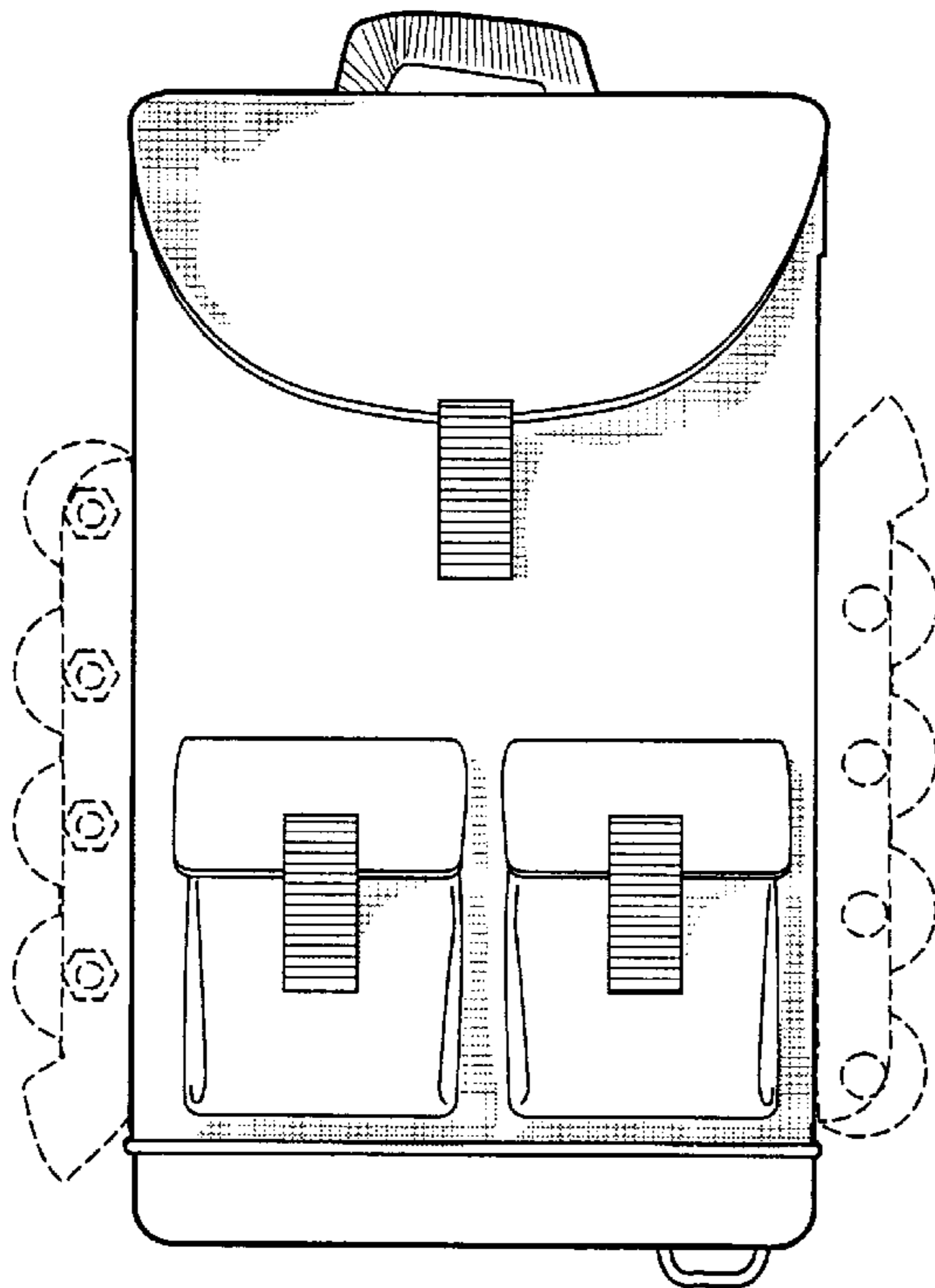


FIG. 5

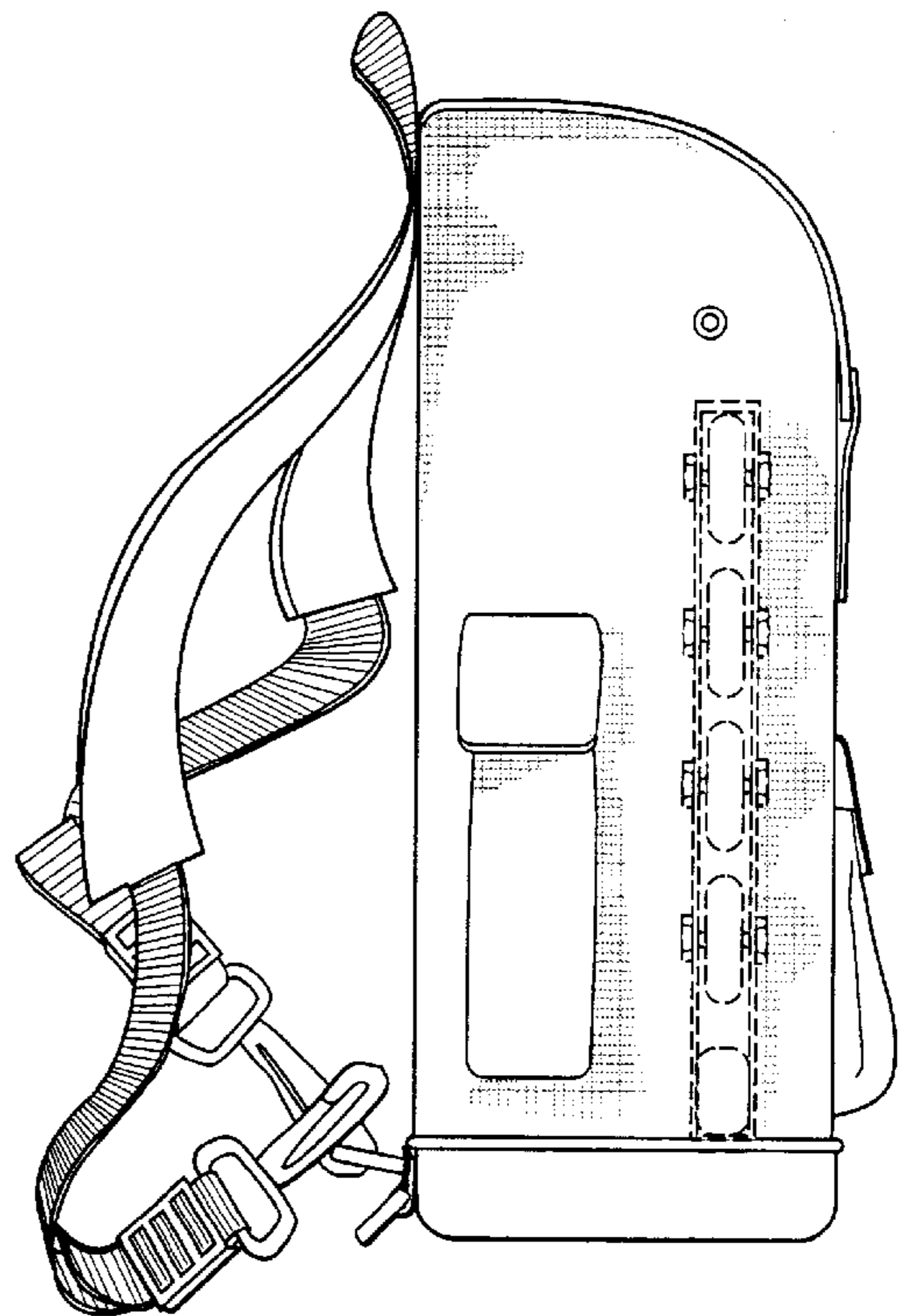


FIG. 6