



US00D400341S

United States Patent [19]
House

[11] **Patent Number: Des. 400,341**
[45] **Date of Patent: **Nov. 3, 1998**

[54] **COMBINED VEHICLE MODEL AND MICRO SOUND CHIP FOR A CAP**

D. 372,571 8/1996 Venditto, Jr. D2/869
D. 372,794 8/1996 Virzi D2/869 X
D. 374,116 10/1996 Virzi D2/891 X
5,510,961 4/1996 Peng D2/866 X

[76] Inventor: **Phillip E. House**, 7056 Tulip Trail,
Memphis, Tenn. 38133

[**] Term: **14 Years**

Primary Examiner—Paula A. Mortimer

[21] Appl. No.: **74,323**

[57] **CLAIM**

The ornamental design for combined vehicle model and micro sound chip for a cap, as shown and described.

[22] Filed: **Aug. 1, 1997**

DESCRIPTION

[51] **LOC (6) Cl.** **02-03**

[52] **U.S. Cl.** **D2/869; D2/895; D2/866**

[58] **Field of Search** D2/865, 866, 869,
D2/870, 871, 873, 882, 891, 895; 2/171,
181, 195.1, 200.3, 209.13; D21/136, 137;
D12/88; 446/14, 26, 27; D14/192, 100

FIG. 1 is a top plan view of a combined vehicle model and micro sound chip for a cap showing my new design; FIG. 2 is a front elevational view thereof; FIG. 3 is a right end elevational view thereof; and, FIG. 4 is a left end elevational view thereof.

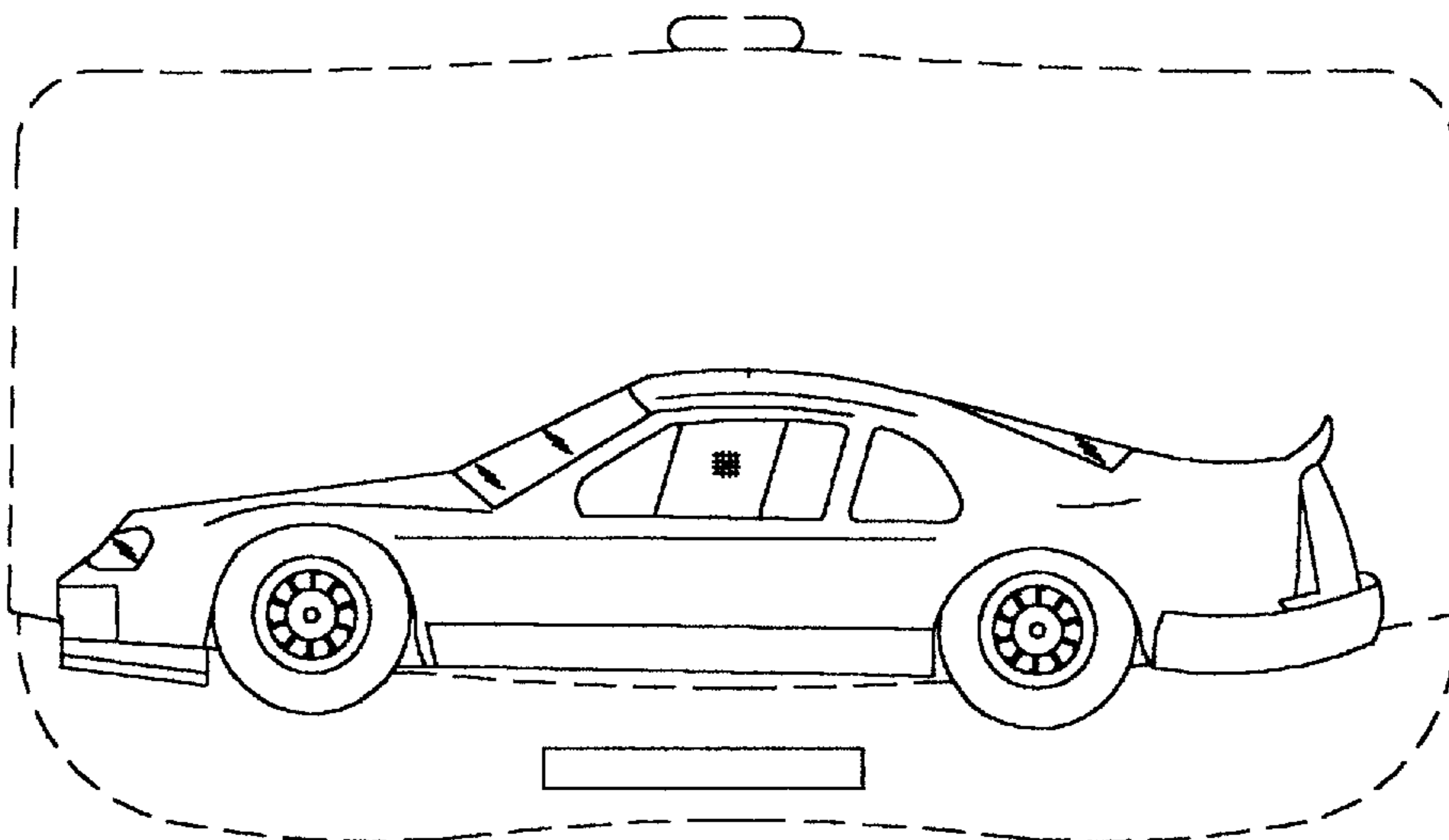
The broken line showing of the cap in all views is for illustrative purposes only and forms no part of the claimed design.

[56] **References Cited**

U.S. PATENT DOCUMENTS

D. 294,610 3/1988 Matsumoto D21/136

1 Claim, 2 Drawing Sheets



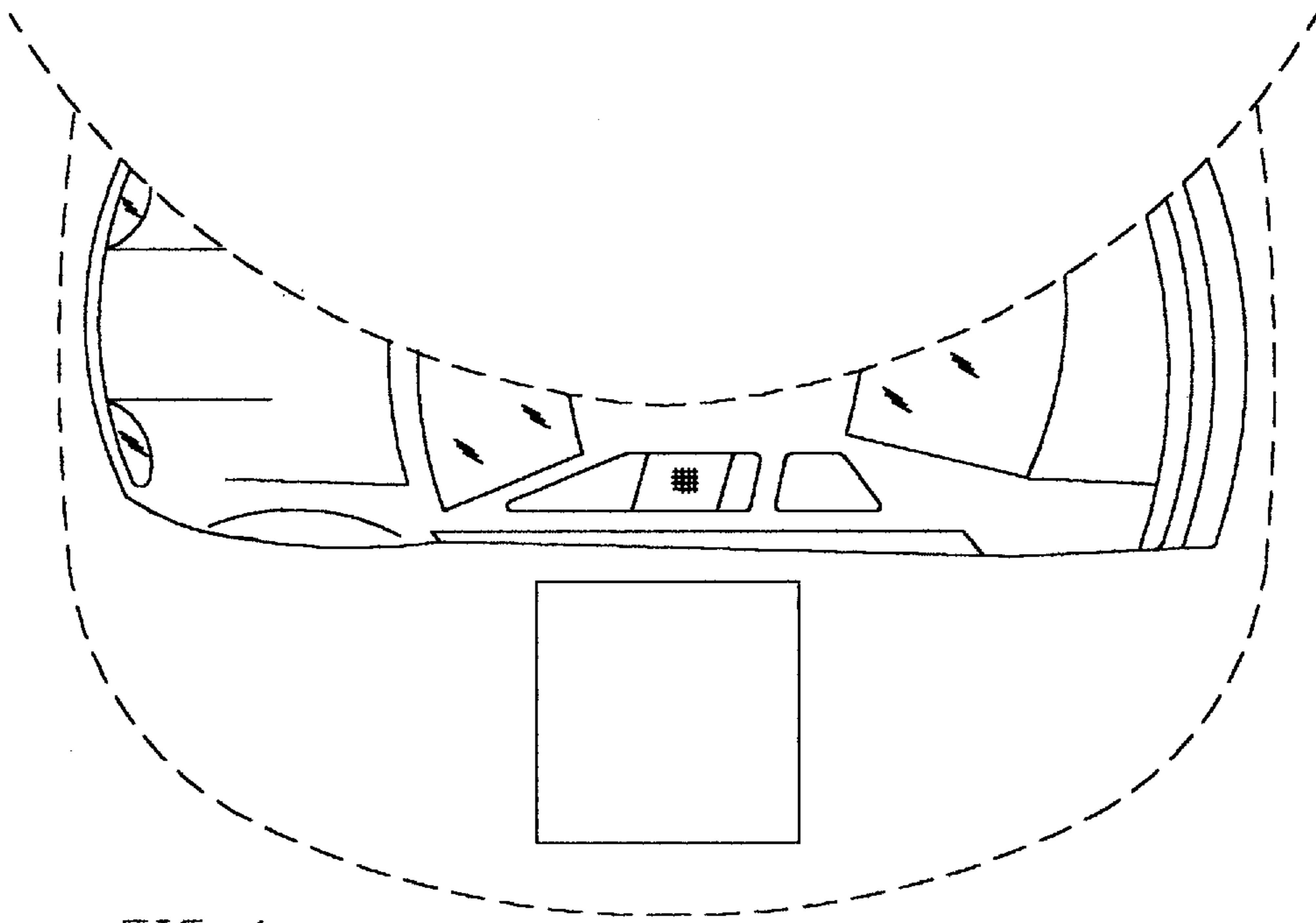


FIG. 1

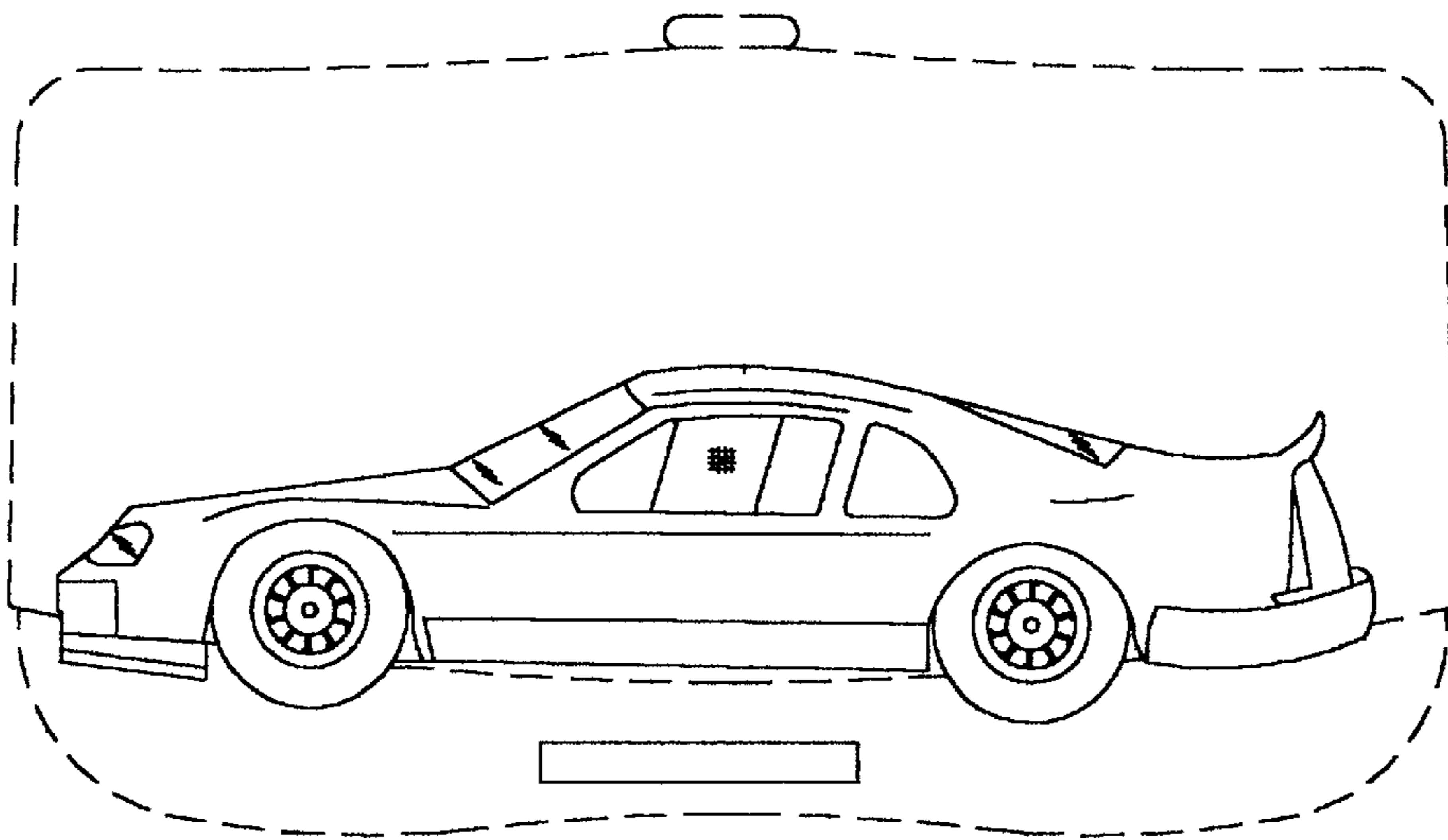


FIG. 2

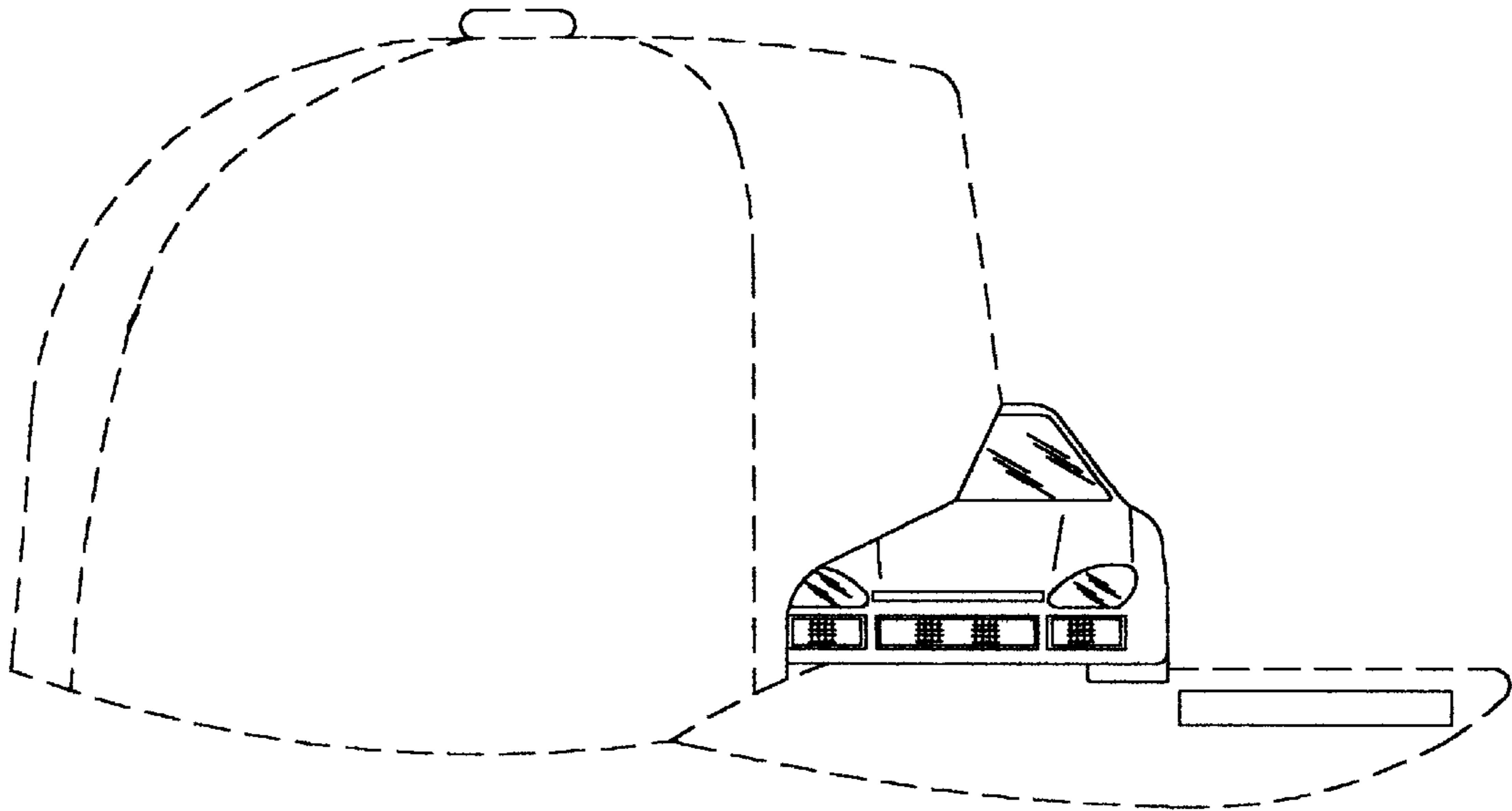


FIG. 3

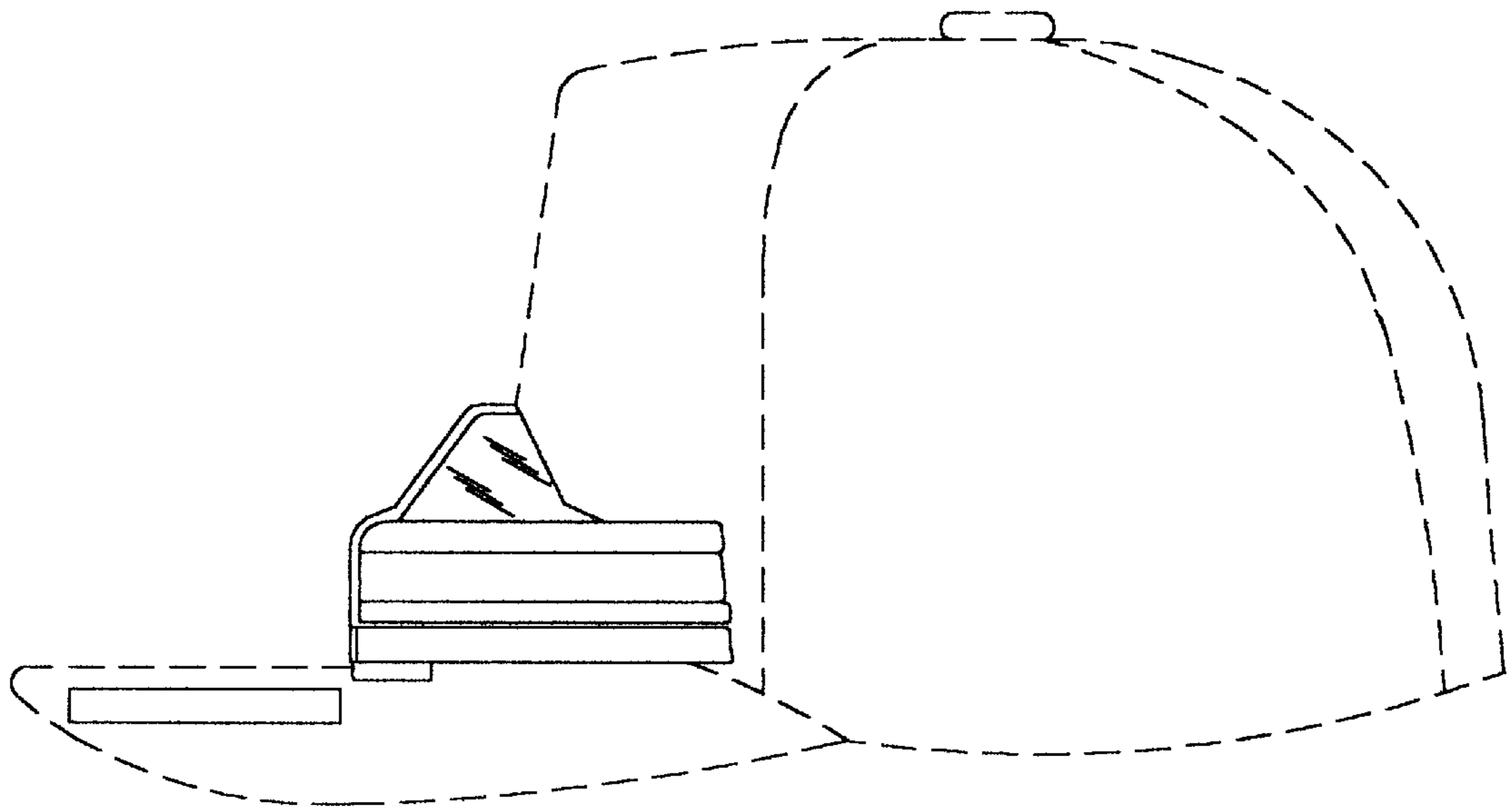


FIG. 4