



US00D400334S

# United States Patent [19] Hawkins

[11] **Patent Number: Des. 400,334**

[45] **Date of Patent: \*\*Oct. 27, 1998**

[54] **PORTABLE SERVICE CART**

OTHER PUBLICATIONS

[75] Inventor: **Joseph O. Hawkins**, Greenville, S.C.

MAC Tool Catalog (1997), p. 17.

[73] Assignee: **Sunex International, Inc.**, Travelers Rest, S.C.

Snap on Catalog (1997-1998), p. 41.

Astro Pneumatic (1996), p. 121.

Napa Catalog (1994), p. 11.

[\*\*] Term: **14 Years**

*Primary Examiner*—Kay H. Chin

*Attorney, Agent, or Firm*—Dority & Manning, P.A.

[21] Appl. No.: **70,333**

[57] **CLAIM**

[22] Filed: **May 6, 1997**

The ornamental design for a portable service cart, as shown and described.

[51] **LOC (6) Cl.** ..... **12-02**

[52] **U.S. Cl.** ..... **D34/21; D6/461**

[58] **Field of Search** ..... D34/12-27; 280/47, 280/35, 79.3, 79.11; 108/92, 106, 110, 90; D6/461, 465, 477, 478, 479, 460, 431

**DESCRIPTION**

FIG. 1 is a top perspective view;

FIG. 2 is a top plan view;

FIG. 3 is a front plan view;

FIG. 4 is a back plan view;

FIG. 5 is a bottom plan view.

FIG. 6 is a first side plan view; and,

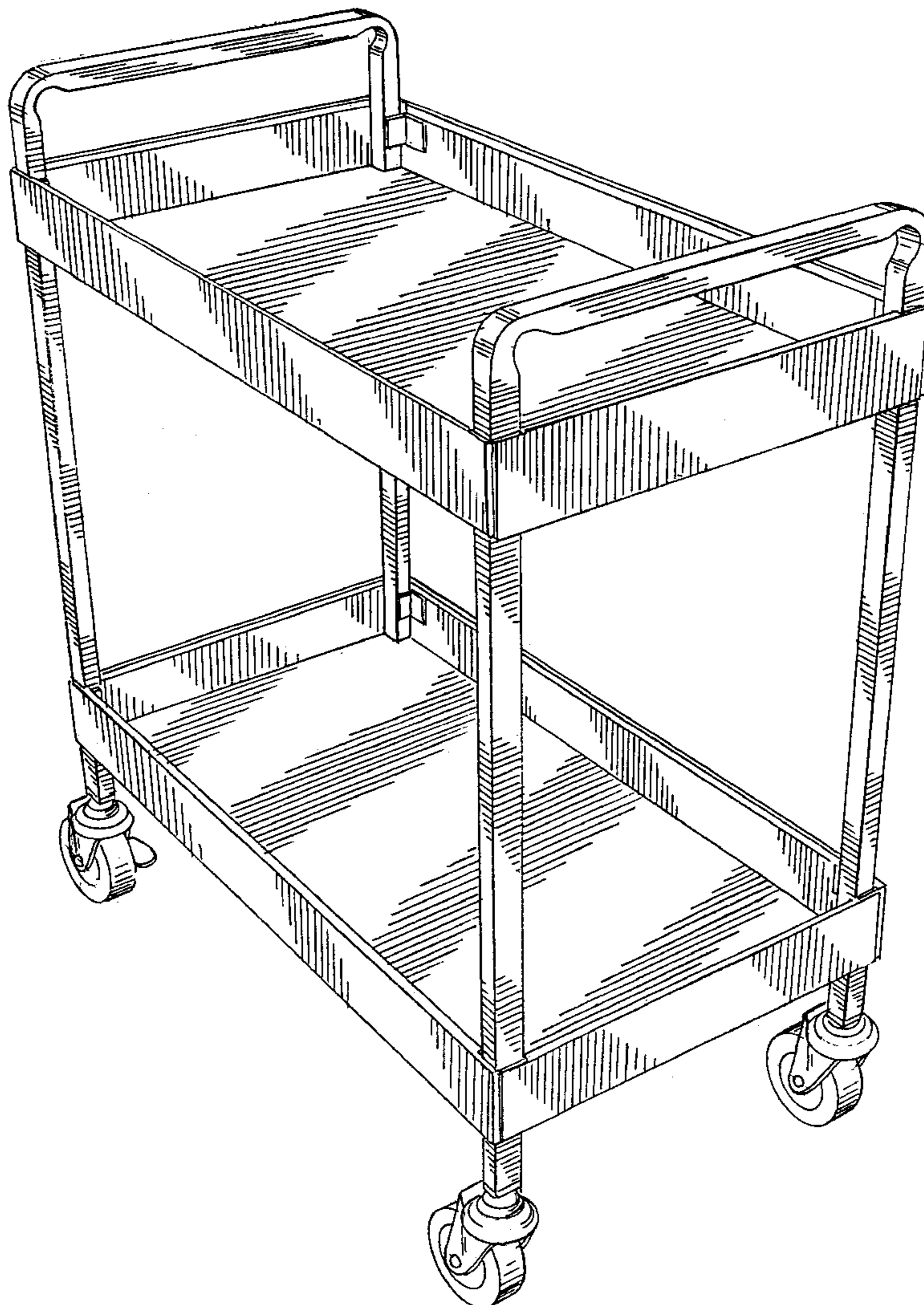
FIG. 7 is a second side plan view.

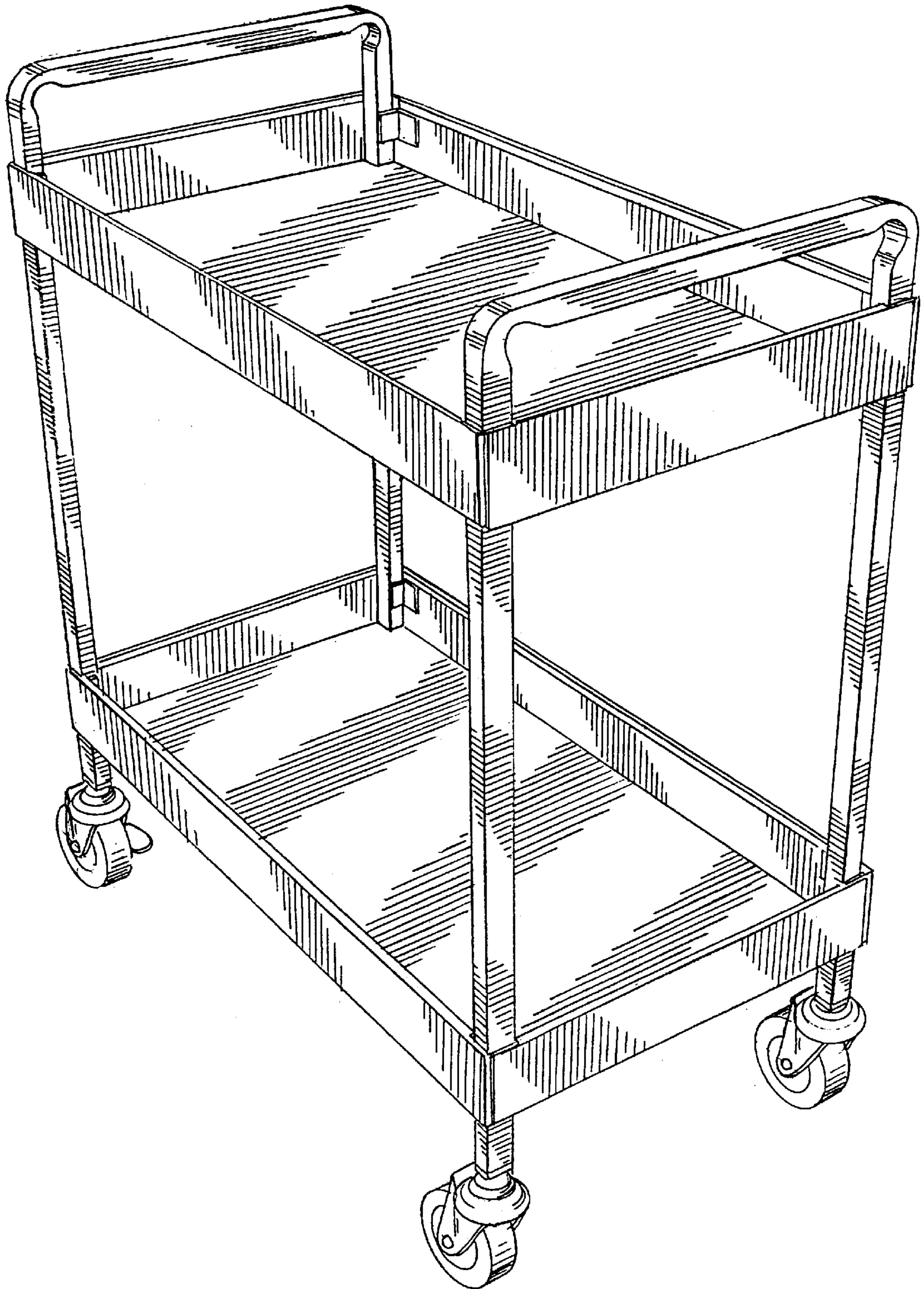
[56] **References Cited**

**U.S. PATENT DOCUMENTS**

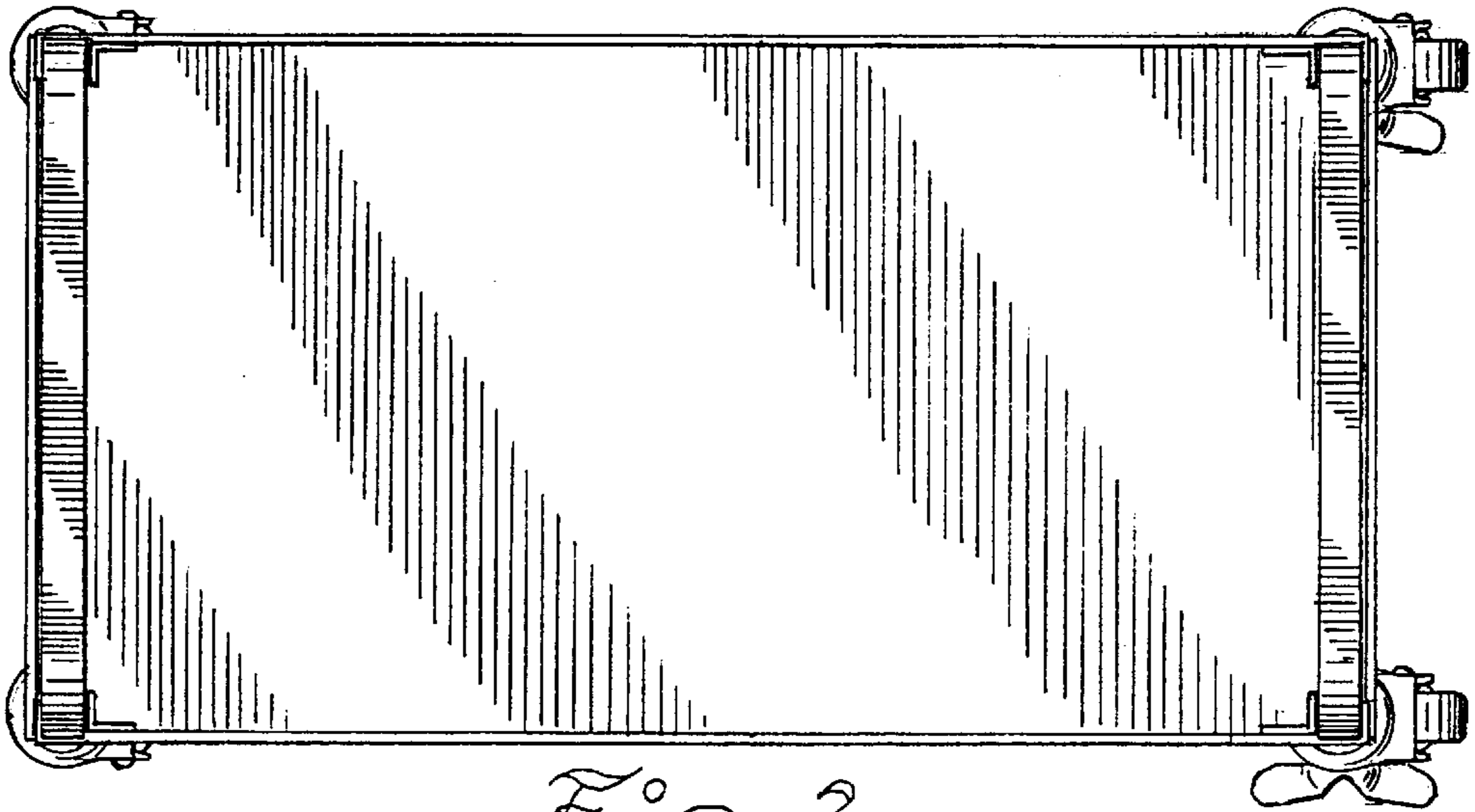
D. 119,258	3/1940	Erickson	.....	D6/431
D. 275,044	8/1984	Hampshire et al.	.....	D34/21
2,886,186	5/1959	Hamilton	.....	280/47.35

**1 Claim, 4 Drawing Sheets**

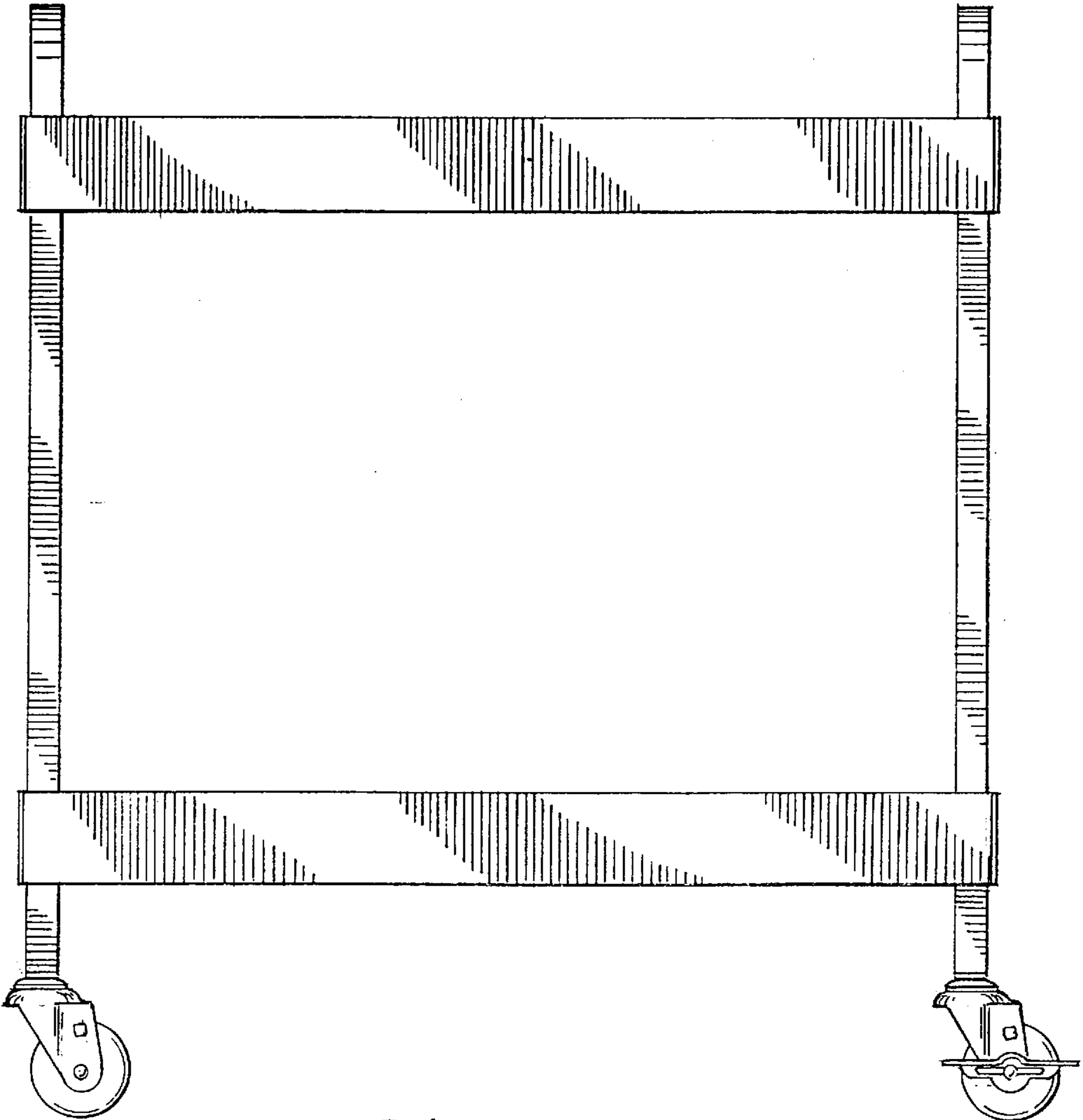




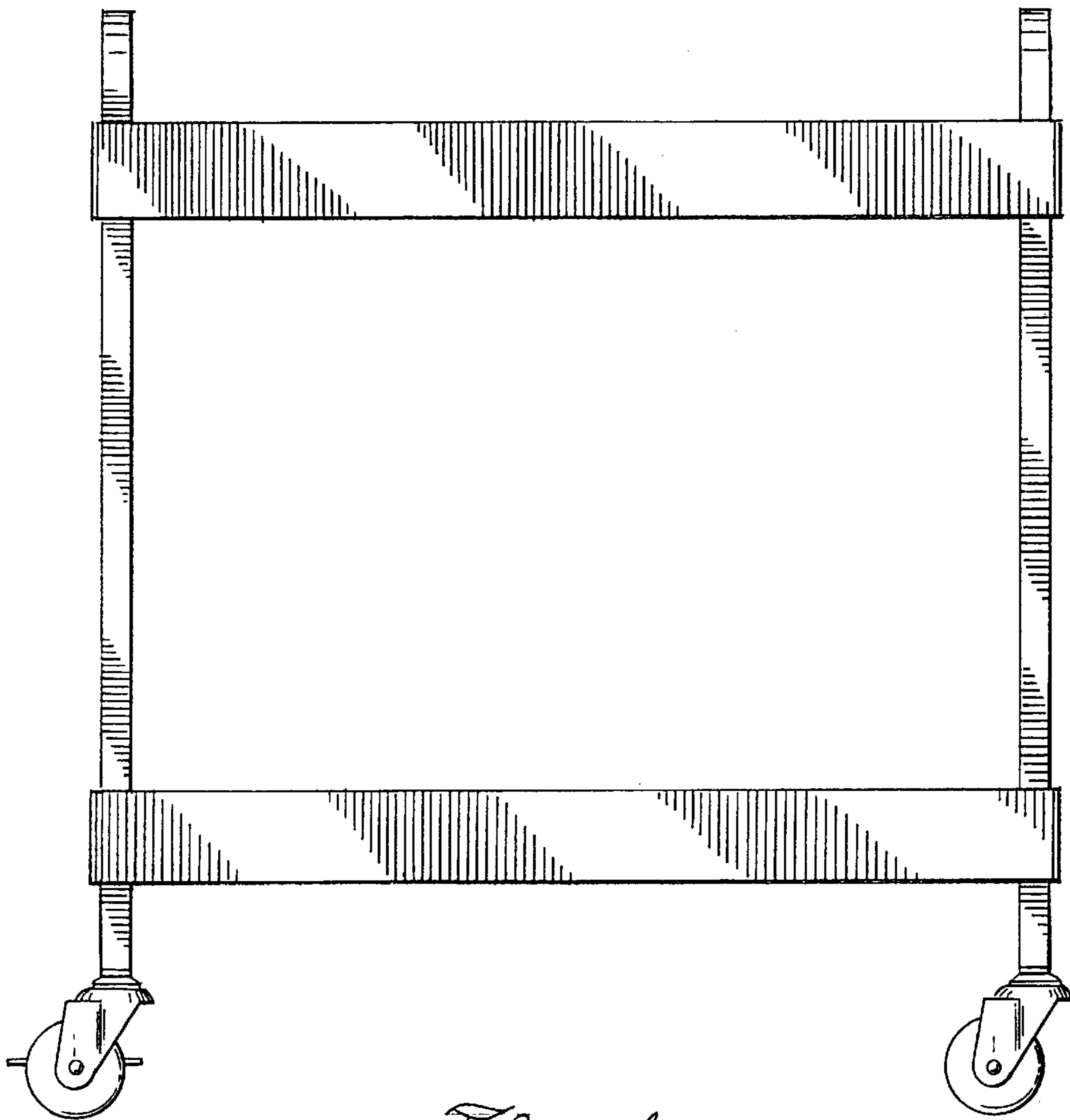
*Fig. 1*



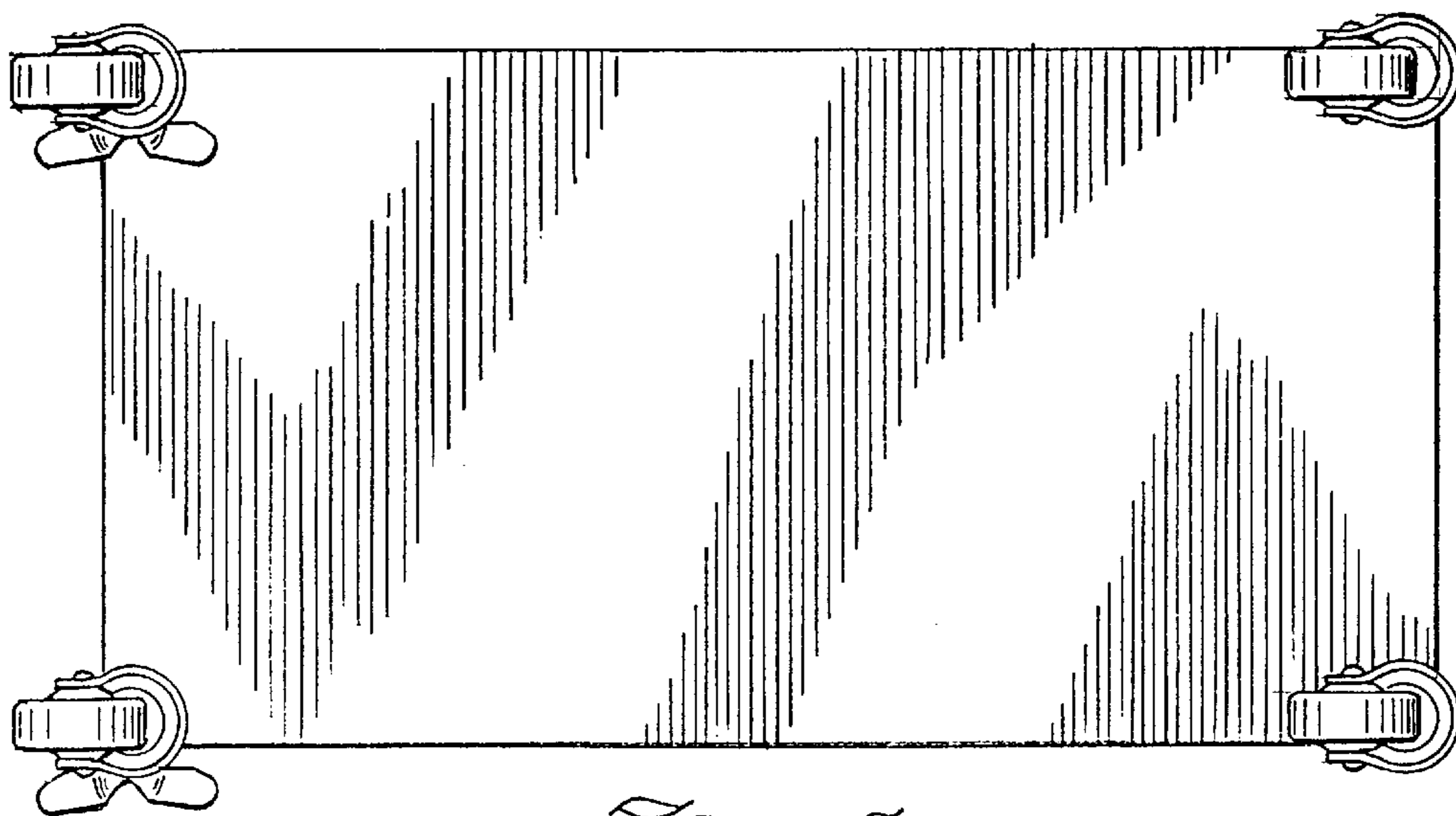
*Fig. 2*



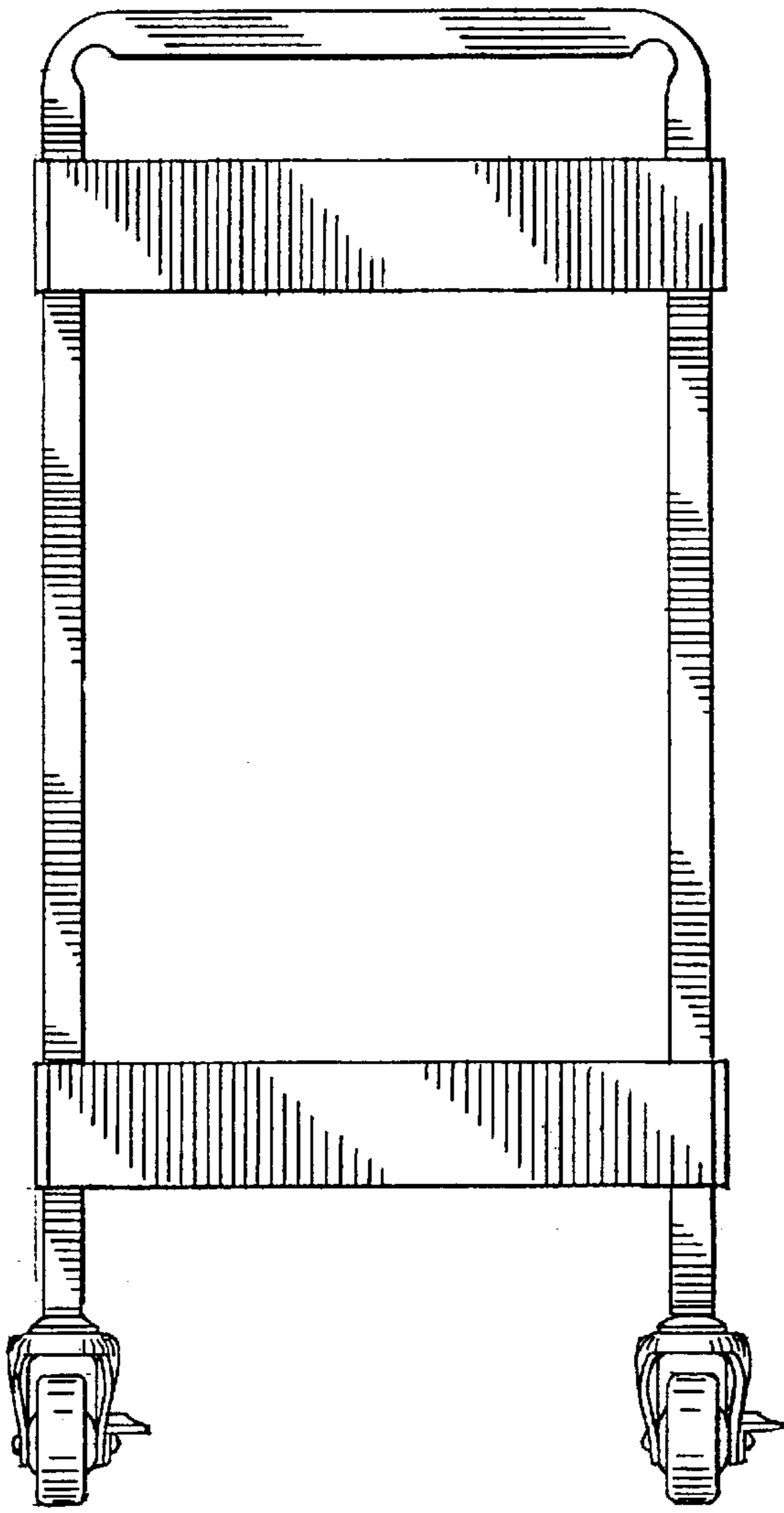
*Fig. 3*



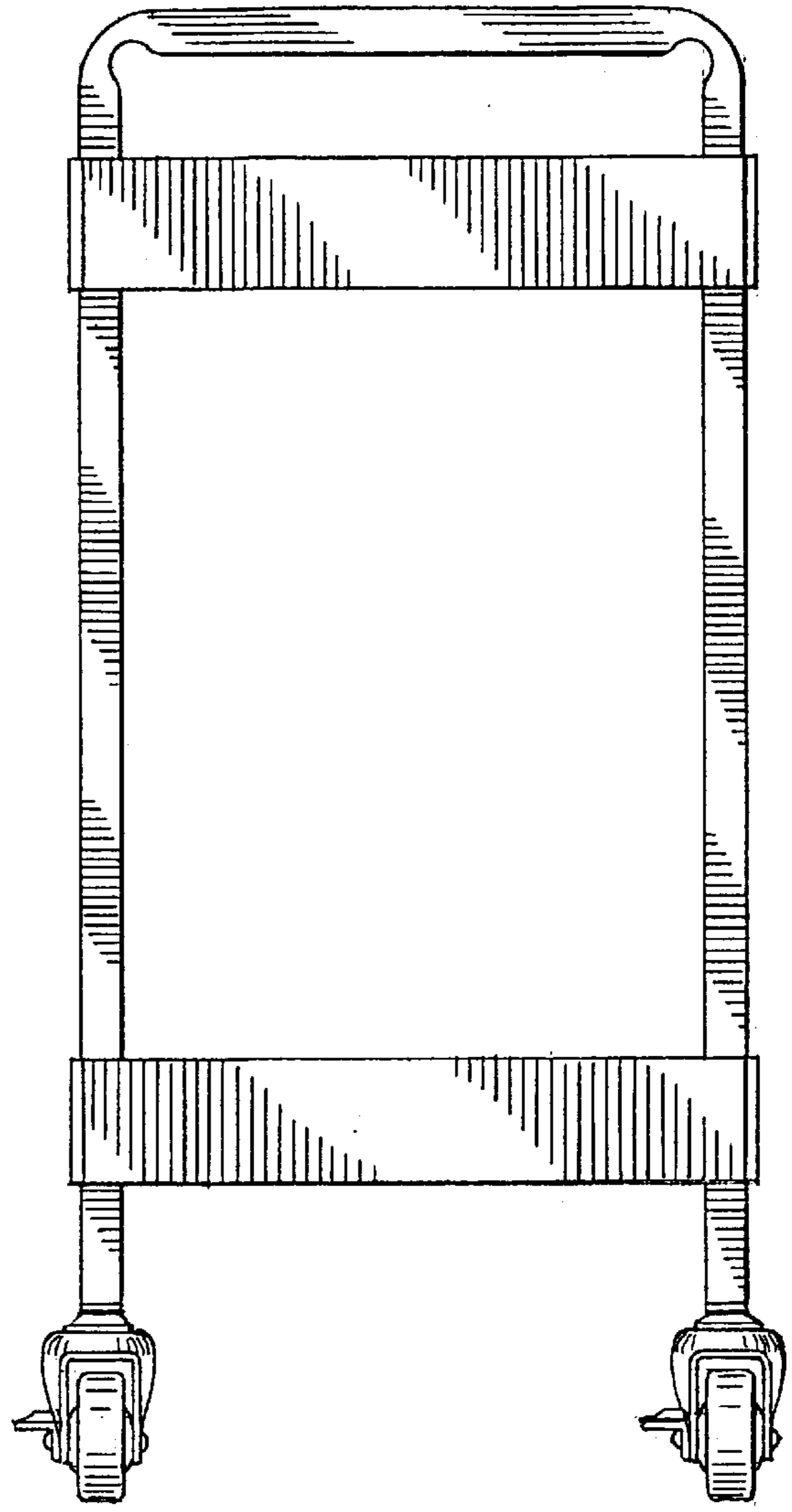
*Fig. 4*



*Fig. 5*



*Fig. 6*



*Fig. 7*