



US00D400333S

United States Patent [19]
Westlake

[11] **Patent Number: Des. 400,333**

[45] **Date of Patent: **Oct. 27, 1998**

[54] **CHRISTMAS TREE TRANSPORT CART**

[76] Inventor: **Gary Westlake**, 1060 S. Keim St.,
Pottstown, Pa. 19464

[**] Term: **14 Years**

[21] Appl. No.: **68,158**

[22] Filed: **Mar. 17, 1997**

[51] **LOC (6) Cl.** **12-02**

[52] **U.S. Cl.** **D34/17; D34/12**

[58] **Field of Search** D34/12-26; 280/47.17,
280/47.19, 47.26, 47.24, 652

[56] **References Cited**

U.S. PATENT DOCUMENTS

D. 320,682	10/1991	Braswell	D34/18
D. 326,174	5/1992	McDonald	D34/5
D. 339,440	9/1993	Dick	D34/17
4,789,180	12/1988	Bell	280/652

Primary Examiner—Kay H. Chin

[57] **CLAIM**

The ornamental design for a Christmas tree transport cart, as shown and described.

DESCRIPTION

FIG. 1 is a side elevational view of a Christmas tree transport cart showing my new design, the broken lines are for illustrative purposes only and form no part of the claimed design;

FIG. 2 is a front elevational view thereof;

FIG. 3 is a rear elevational view thereof;

FIG. 4 is a top plan view thereof;

FIG. 5 is a top plan view of a second embodiment of the Christmas tree transport cart, with an optional grid frame in place;

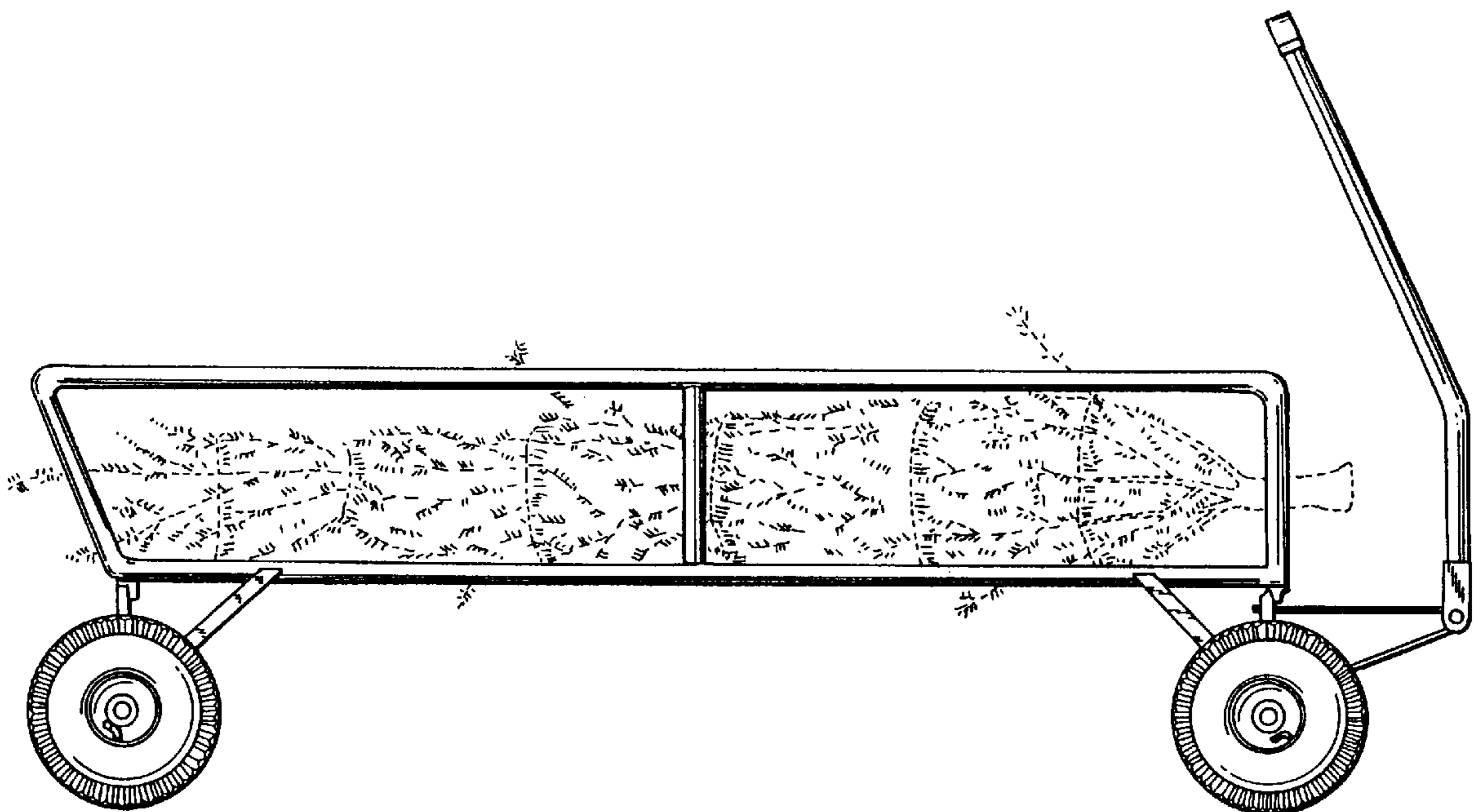
FIG. 6 is a bottom plan view of FIG. 1;

FIG. 7 is a side elevational view of FIG. 5;

FIG. 8 is a front elevational view of FIG. 5; and,

FIG. 9 is a rear elevational view of FIG. 5.

1 Claim, 3 Drawing Sheets



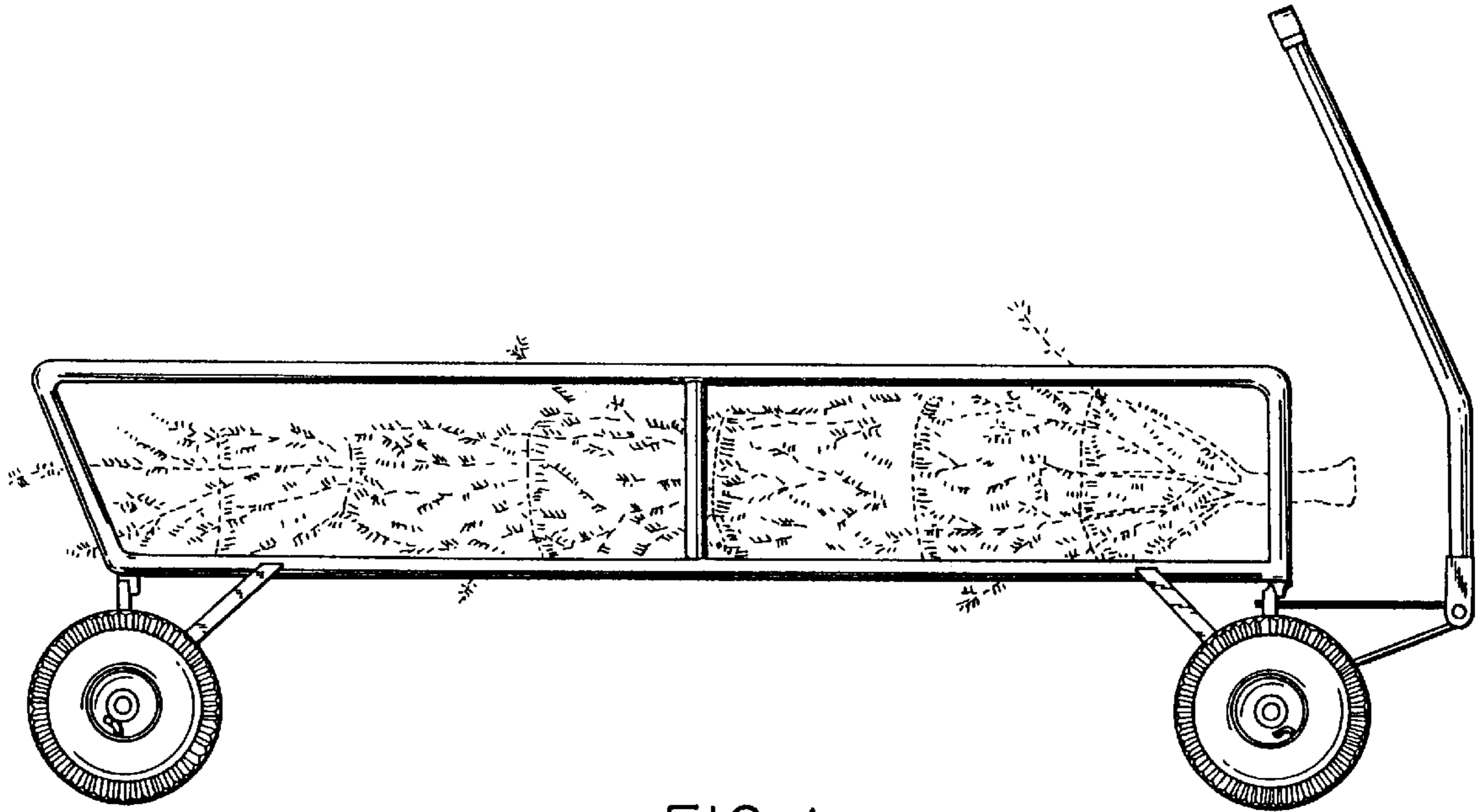


FIG. 1

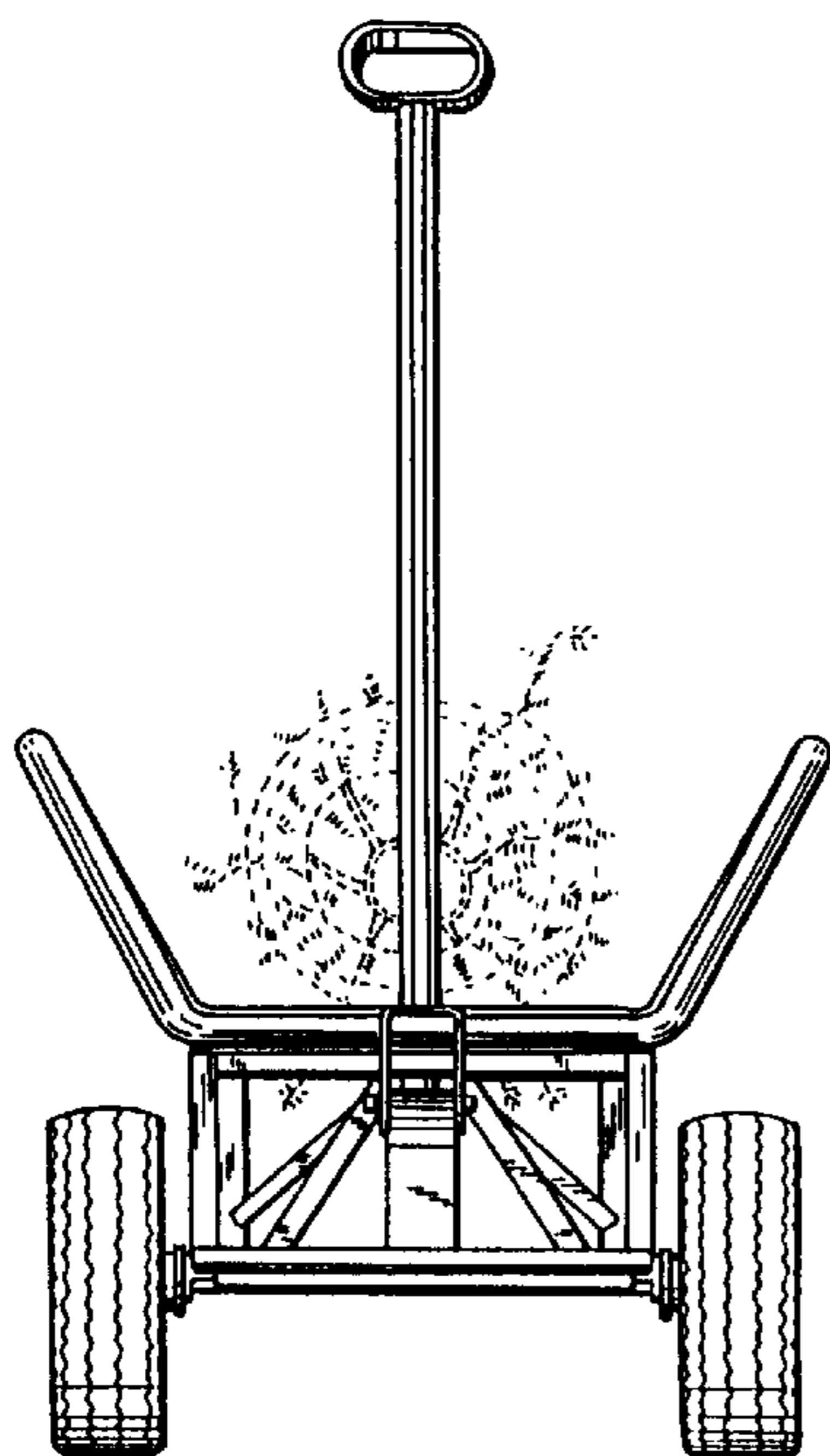


FIG. 2

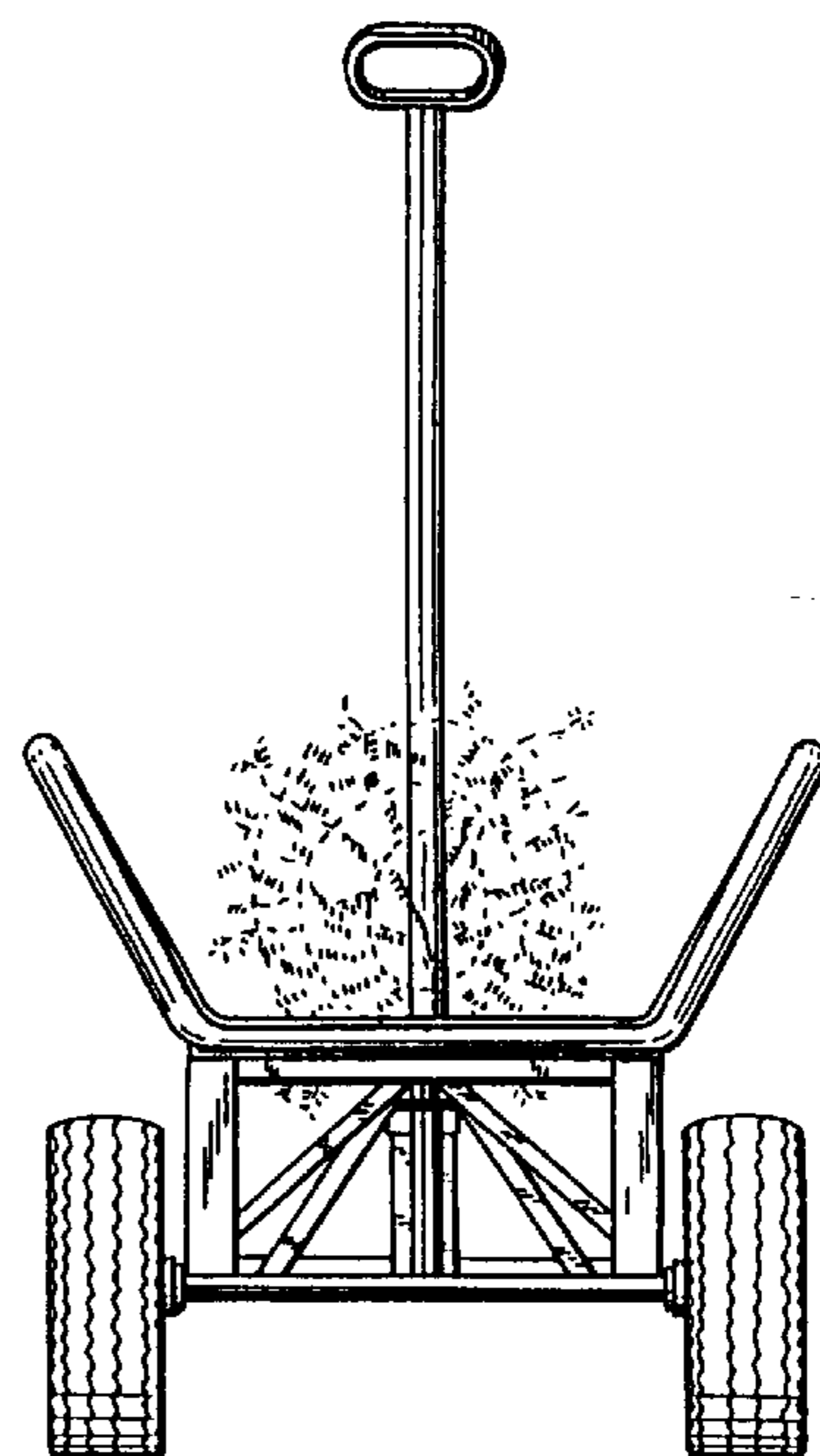


FIG. 3

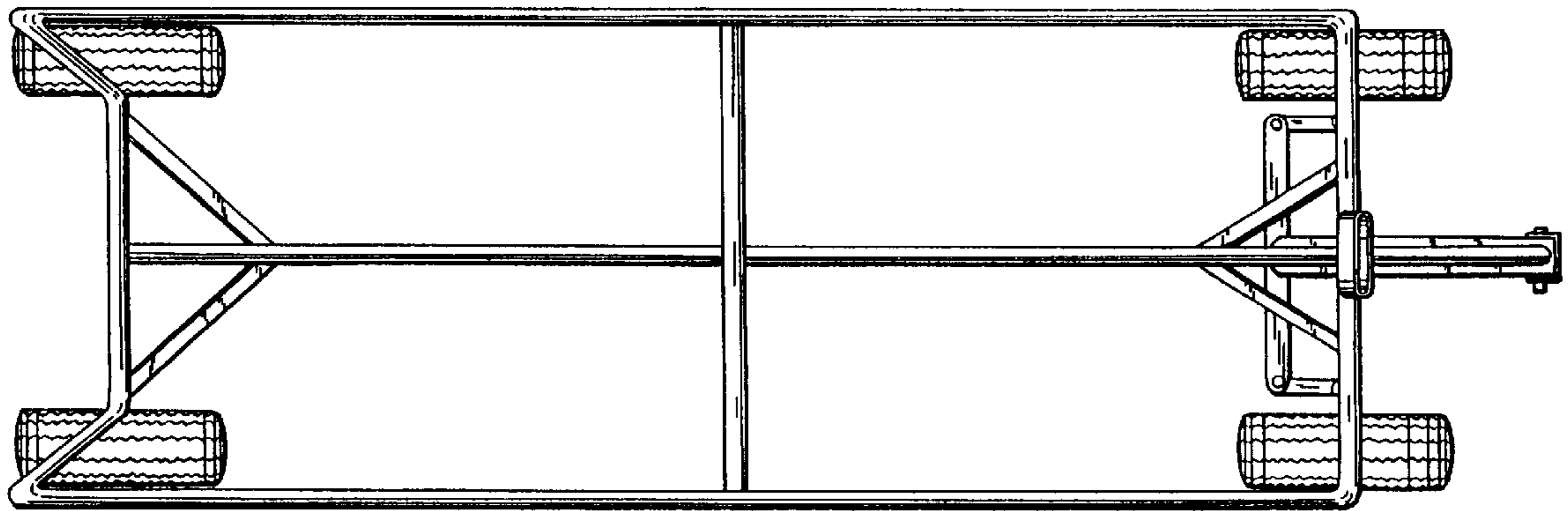


FIG. 4

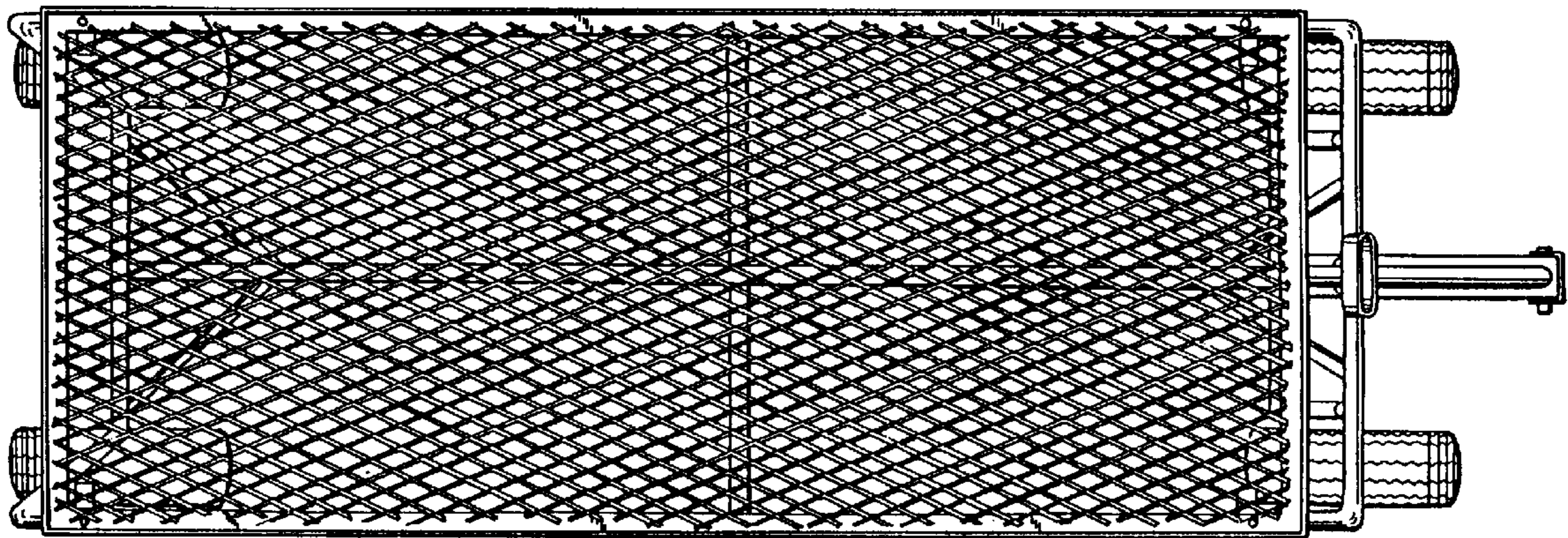


FIG. 5

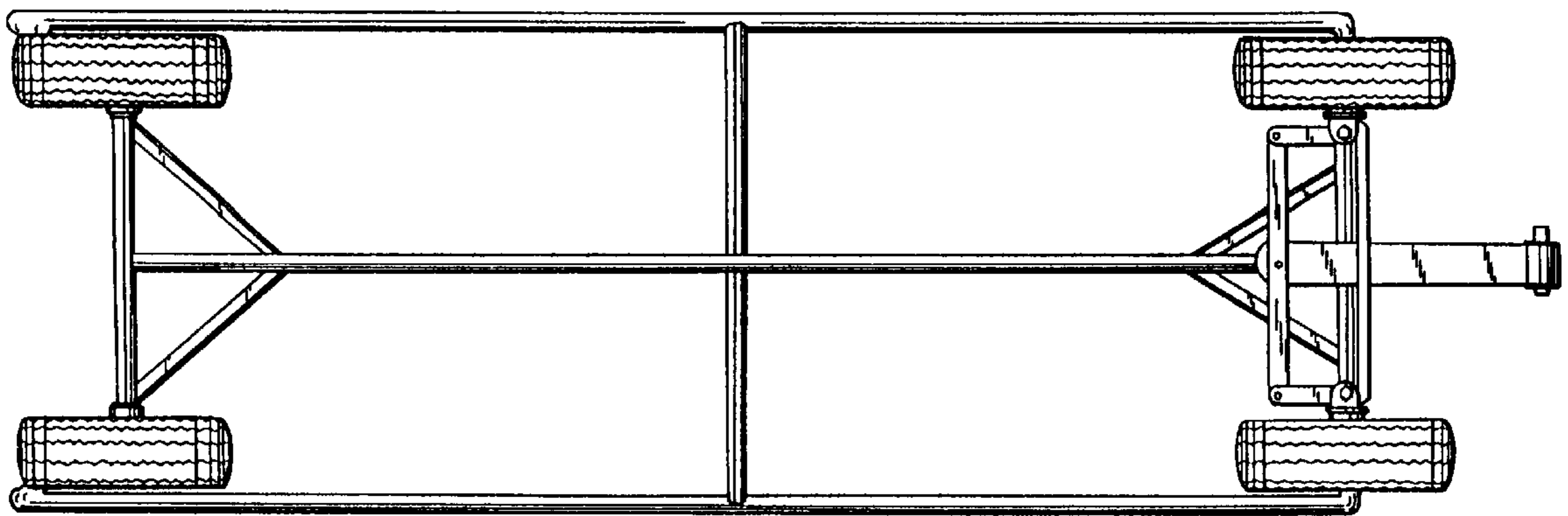


FIG. 6

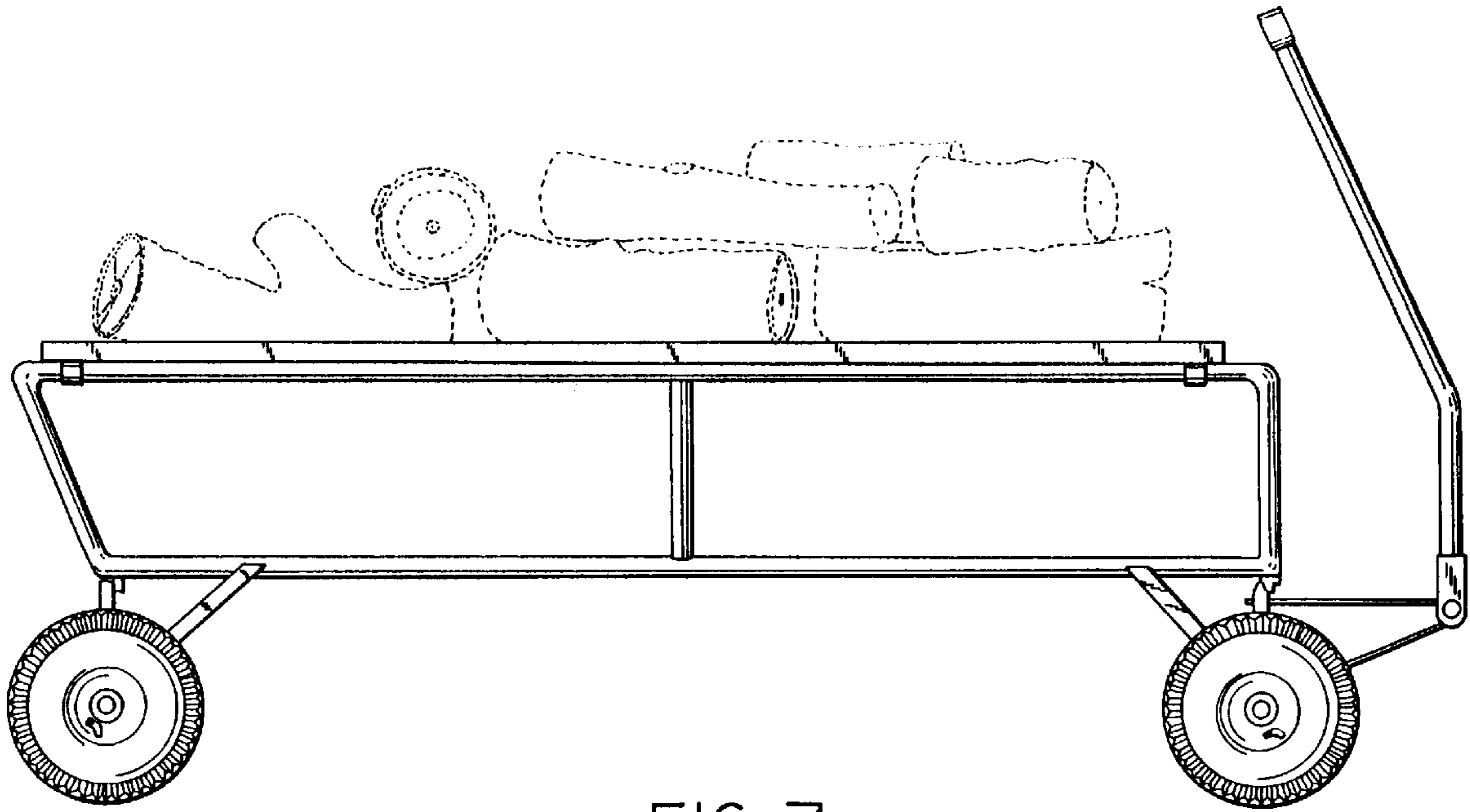


FIG. 7

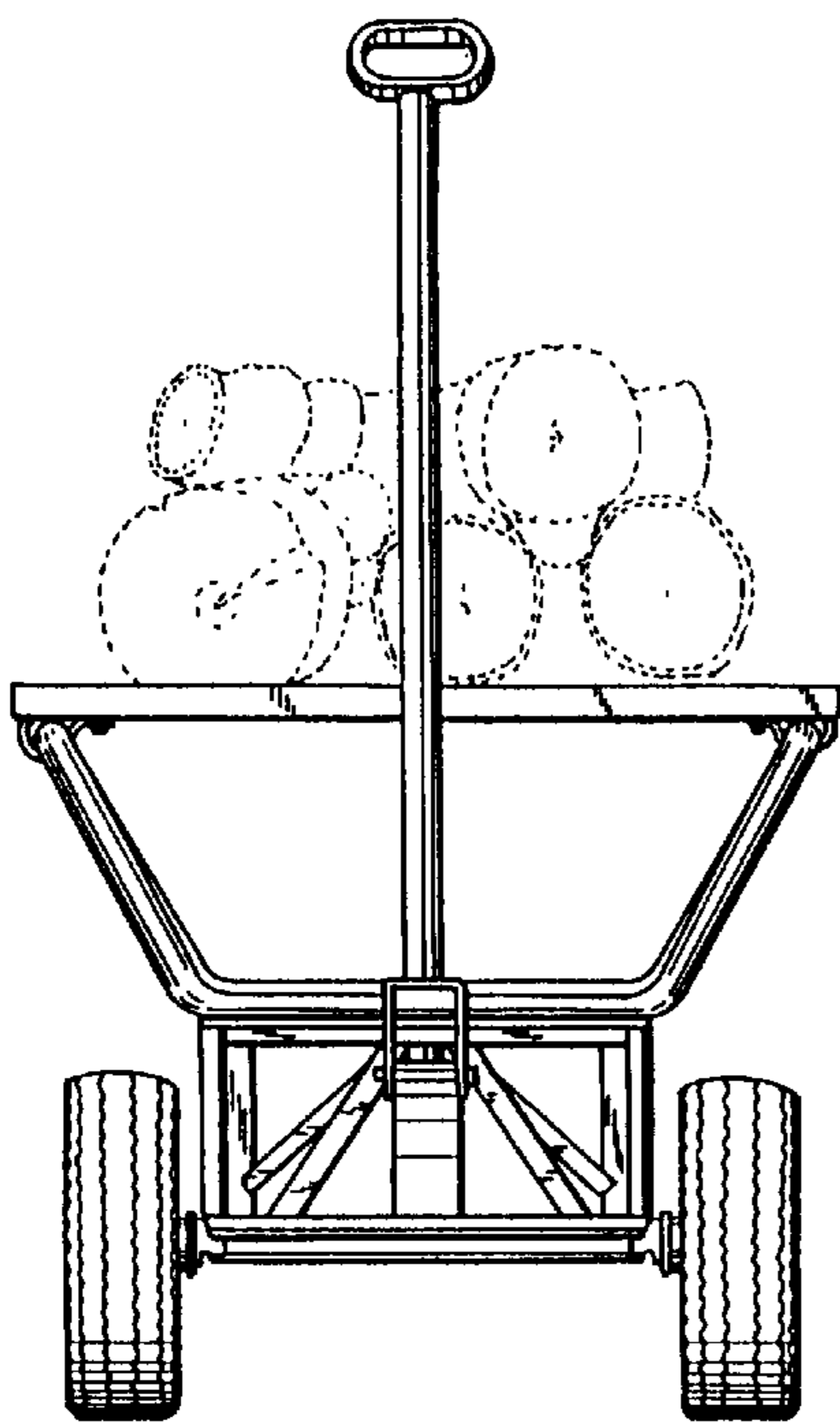


FIG. 8

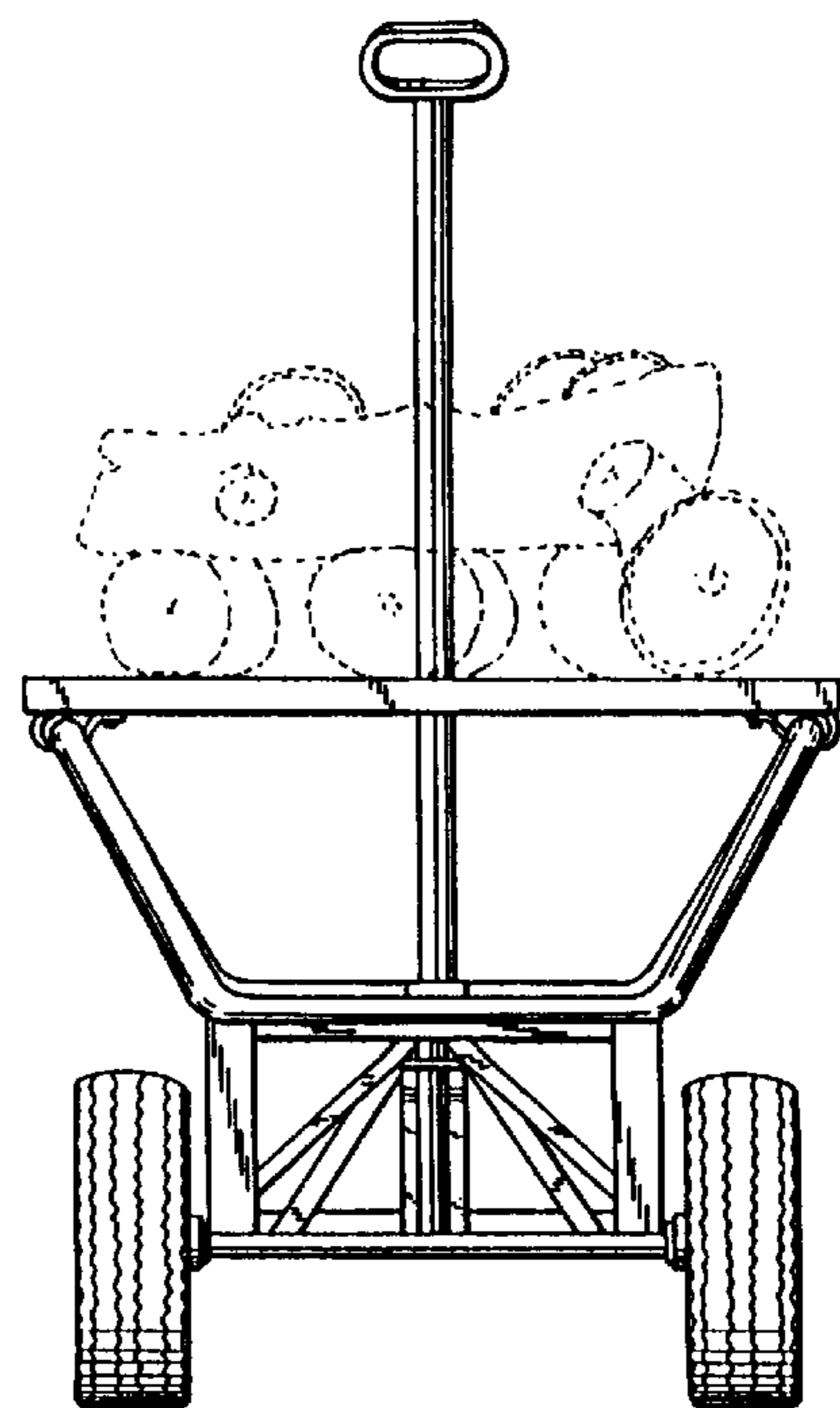


FIG. 9