



US00D400332S

# United States Patent [19]

Sanden, Jr.

[11] Patent Number: Des. 400,332

[45] Date of Patent: \*\*Oct. 27, 1998

[54] **COMBINED LID, HINGE AND UPPER PORTION OF A REFUSE CONTAINER**

5,356,027 10/1994 Craft et al. .... 220/338

[75] Inventor: **Gorden J. Sanden, Jr.**, Huntington Beach, Calif.

[73] Assignee: **Roto Industries, Inc.**, Anaheim, Calif.

[\*\*] Term: **14 Years**

[21] Appl. No.: **66,596**

[22] Filed: **Mar. 4, 1997**

### FOREIGN PATENT DOCUMENTS

56037	4/1986	Canada .
56621	7/1986	Canada .
57111	9/1986	Canada .
58625	4/1987	Canada .
62192	12/1988	Canada .
266899	10/1912	Germany .
1996887	2/1968	Germany .
7712227	8/1977	Germany .
7717149	9/1977	Germany .
7002730	5/1978	Germany .
2717258	9/1979	Germany .
2614535	2/1980	Germany .
8111786	1/1982	Germany .
1513122	6/1978	United Kingdom .

### Related U.S. Application Data

[60] Continuation of Ser. No. 26,602, Aug. 1, 1994, abandoned, which is a division of Ser. No. 996,314, Dec. 23, 1992, abandoned, which is a continuation of Ser. No. 765,049, Sep. 24, 1991, Pat. No. 5,217,136.

[51] **LOC (6) Cl.** ..... **09-09**

[52] **U.S. Cl.** ..... **D34/10**

[58] **Field of Search** ..... D34/1, 5-7, 10, D34/11; 220/908-910, 334, 335, 337, 338; 16/271, 272

*Primary Examiner*—Alan P. Douglas  
*Assistant Examiner*—Robin V. Taylor  
*Attorney, Agent, or Firm*—Knobbe, Martens, Olson & Bear, LLP

### [57] CLAIM

The ornamental design for combined lid, hinge and upper portion of a refuse container, as shown and described.

### [56] References Cited

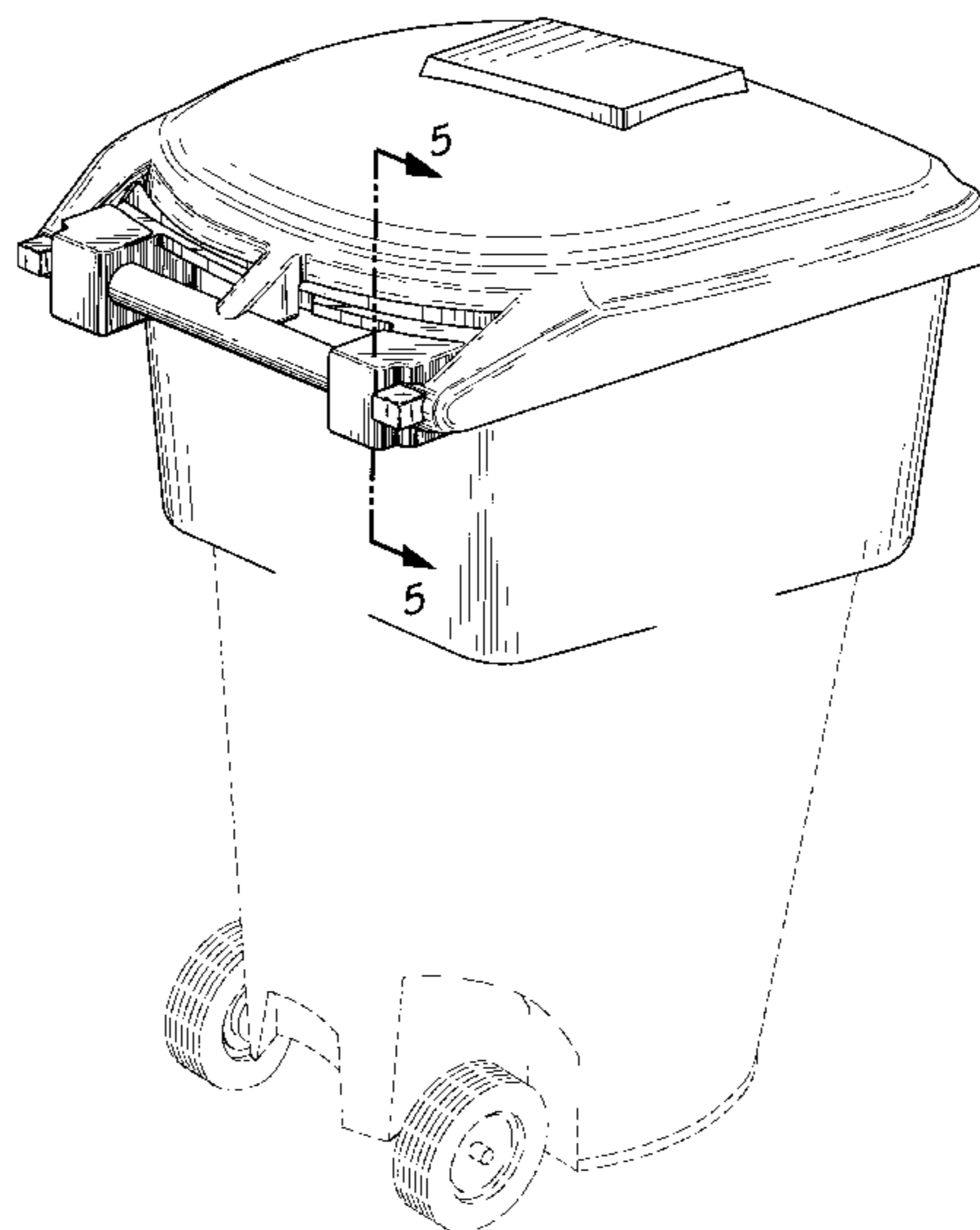
#### U.S. PATENT DOCUMENTS

D. 281,284	11/1985	Reuter .	
D. 302,884	8/1989	Poisat .	
D. 323,912	2/1992	Delmerico .	
D. 324,595	3/1992	Beese et al. ....	D34/5
D. 345,837	4/1994	Bean .	
D. 349,795	8/1994	Schauer .....	D34/5
806,885	12/1905	Focht .	
4,186,844	2/1980	Swanson .	
4,342,402	8/1982	Jungles .	
4,401,312	8/1983	Parker .	
4,450,976	5/1984	Snyder, et al. .	
4,558,799	12/1985	Hammond .	
4,749,101	6/1988	Durkan, Jr. .	
4,836,394	6/1989	Glomski .....	220/335
4,930,649	6/1990	Moser .	
5,193,708	3/1993	Prout et al. ....	220/338
5,217,135	6/1993	Smith et al. ....	220/335

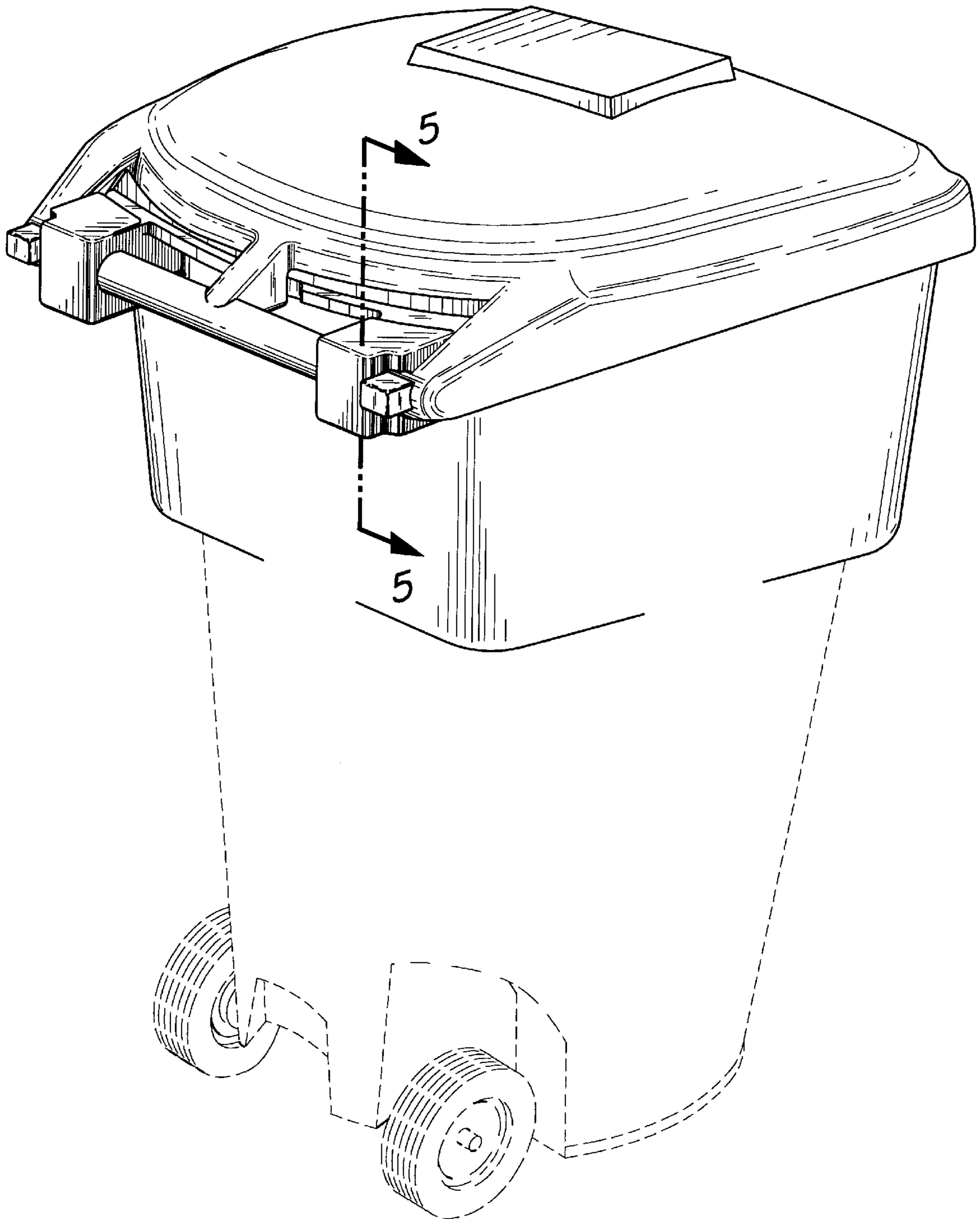
### DESCRIPTION

FIG. 1 is a perspective view of a combined lid, hinge and upper portion of a refuse container showing the new design; FIG. 2 is a side elevational view thereof, the opposite side being a mirror image; FIG. 3 is a side elevational view thereof, with the hinge in open position, the opposite side being a mirror image; FIG. 4 is an enlarged top perspective view thereof, showing the internal design of the hinge, with the body and lid shown fragmented for ease of illustration; and, FIG. 5 is a sectional view taken along line 5—5 of FIG. 1 with lid and body shown fragmented for ease of illustration. The broken line showing of a container and wheels is for illustrative purposes only and forms no part of the claimed design.

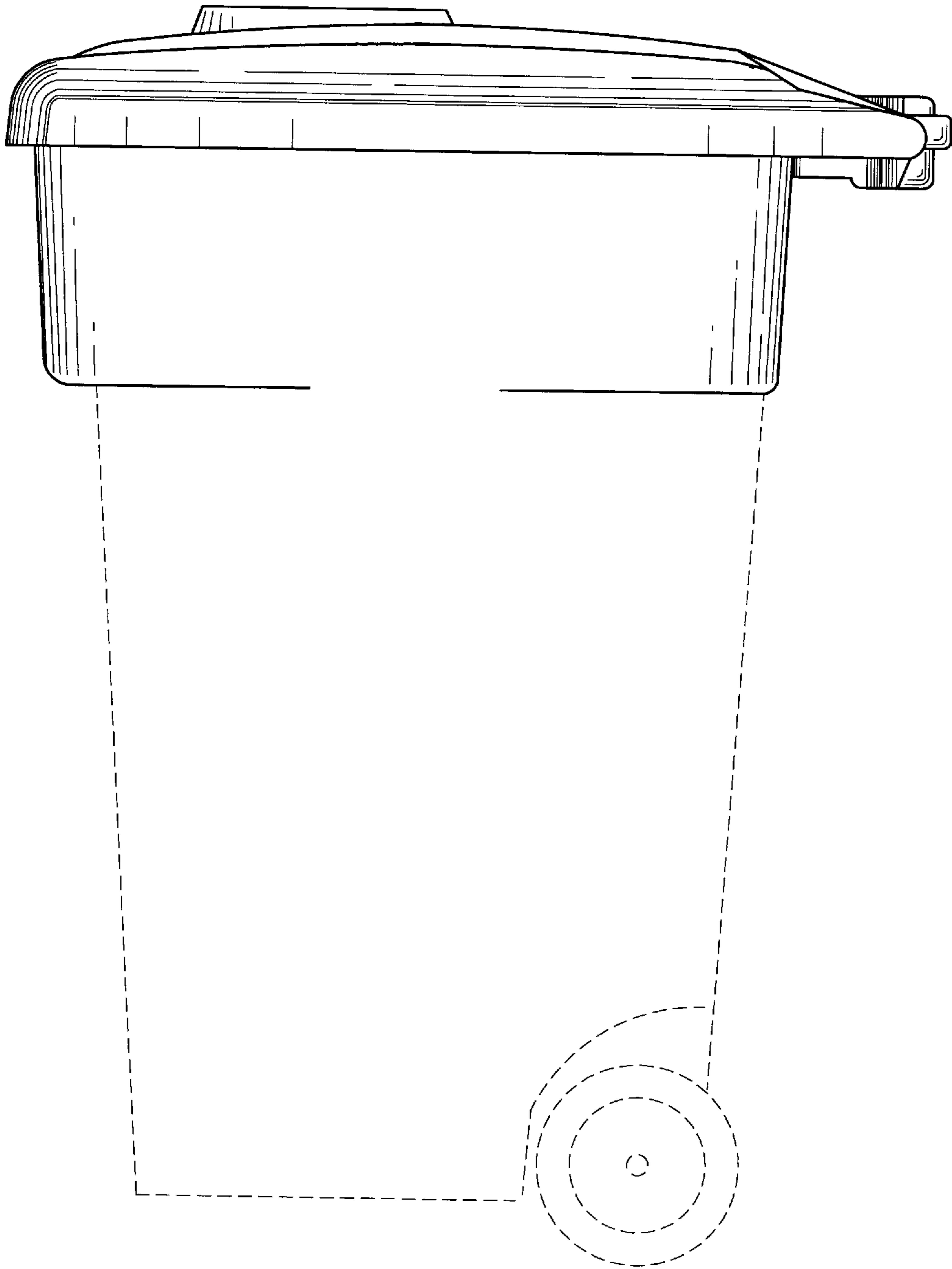
**1 Claim, 5 Drawing Sheets**



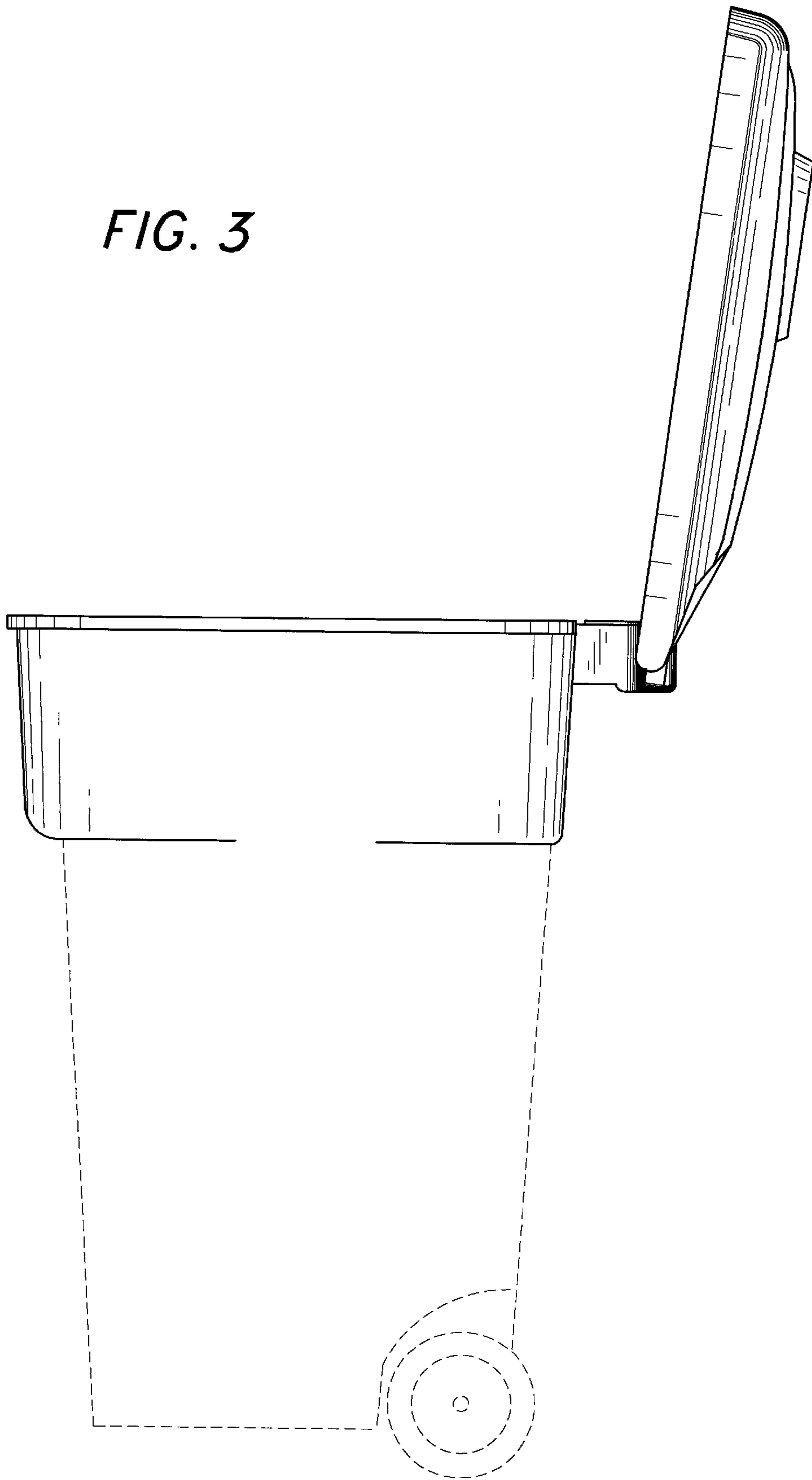
*FIG. 1*



*FIG. 2*



*FIG. 3*



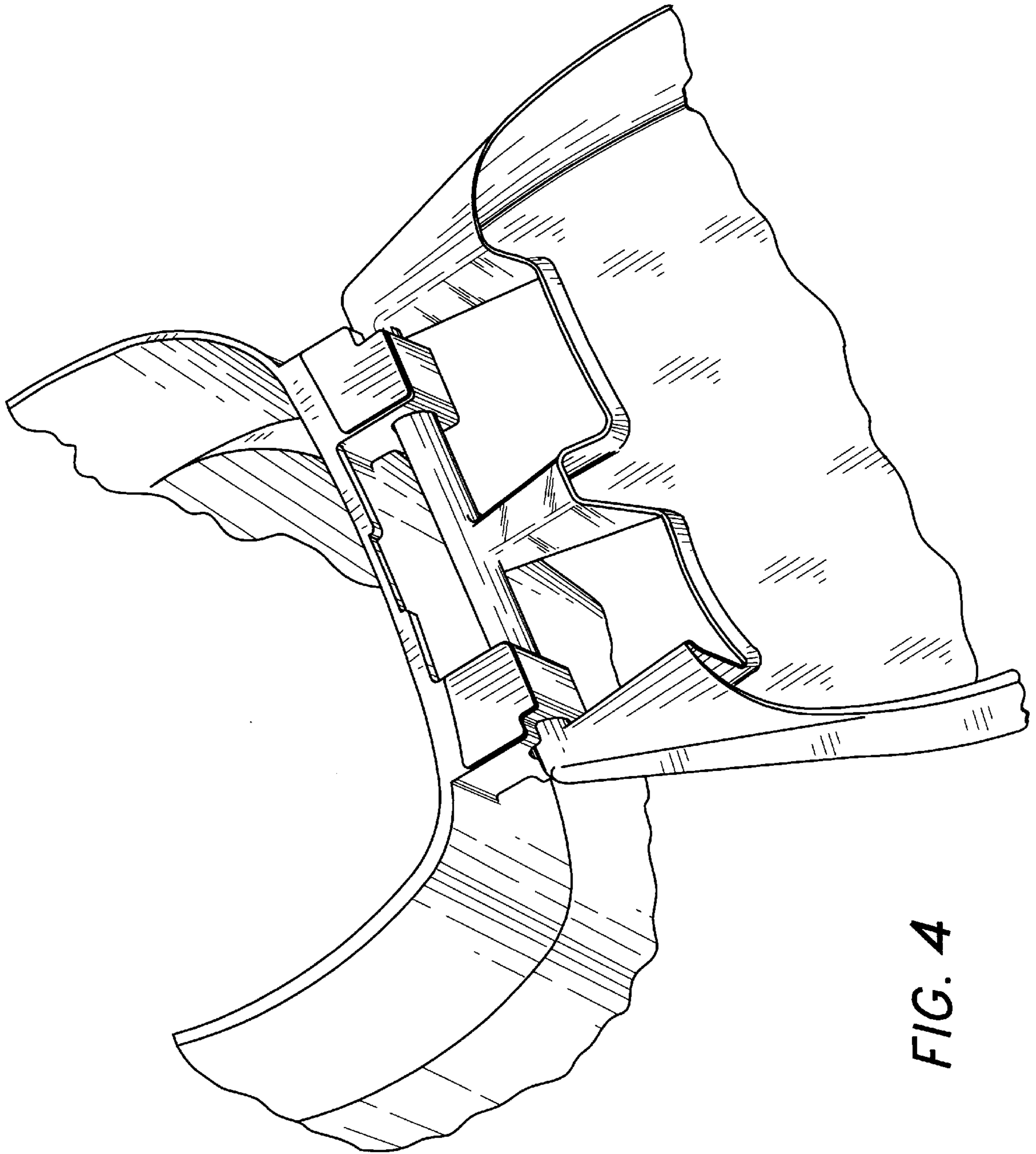


FIG. 4

FIG. 5

