



US00D400331S

United States Patent [19] Rausch

[11] **Patent Number: Des. 400,331**

[45] **Date of Patent: **Oct. 27, 1998**

[54] **HANDLED TRASH BASKET**

[75] Inventor: **Kevin Rausch**, Wooster, Ohio

[73] Assignee: **Rubbermaid Incorporated**, Wooster, Ohio

[**] Term: **14 Years**

[21] Appl. No.: **80,737**

[22] Filed: **Dec. 15, 1997**

[51] **LOC (6) Cl. 09-09**

[52] **U.S. Cl. D34/1**

[58] **Field of Search** D34/1, 5-7, 9,
D34/10; 220/908, 909, 403; 248/95, 97,
99

[56] **References Cited**

U.S. PATENT DOCUMENTS

D. 261,720	11/1981	Brazis	D34/9
D. 280,459	9/1985	McClelland	D34/8
D. 281,111	10/1985	McClelland	D34/8
D. 319,905	9/1991	Hotchkiss	D34/9
D. 321,576	11/1991	Hradisky	D34/8
D. 322,350	12/1991	Craft, Jr. et al.	D34/9
D. 326,343	5/1992	Hradisky	D34/7
D. 326,754	6/1992	Hradisky	D34/7
D. 328,101	7/1992	Rorke	D34/1
D. 333,716	3/1993	Bird et al.	D34/8
D. 337,187	7/1993	Hampshire	D34/1
D. 362,525	9/1995	Kruger	D34/1
D. 365,427	12/1995	Brightbill et al.	D34/1
D. 377,554	1/1997	Adriaansen	D34/7

D. 381,159	7/1997	Hampton	D34/1
D. 387,531	12/1997	Tisbo et al.	D34/1
4,925,056	5/1990	McCoig	220/404

OTHER PUBLICATIONS

Catalog page, Wastebasket, Product No. BA25; Placewares, 351 Congress Street, Boston, Massachusetts 02210. Published at least as early as 1990.

Page 2, Wastebasket, Product No. 1041; Tucker Housewares, 25 Tucker Drive, Leominster, Massachusetts 01453. Publication date 1994.

Catalog page, Wastebaskets; Rubbermaid Incorporated, 1147 Akron Road, Wooster, Ohio 44691. Publication date 1991.

Primary Examiner—Alan P. Douglas
Assistant Examiner—Robin V. Taylor
Attorney, Agent, or Firm—Richard B. O’Planick

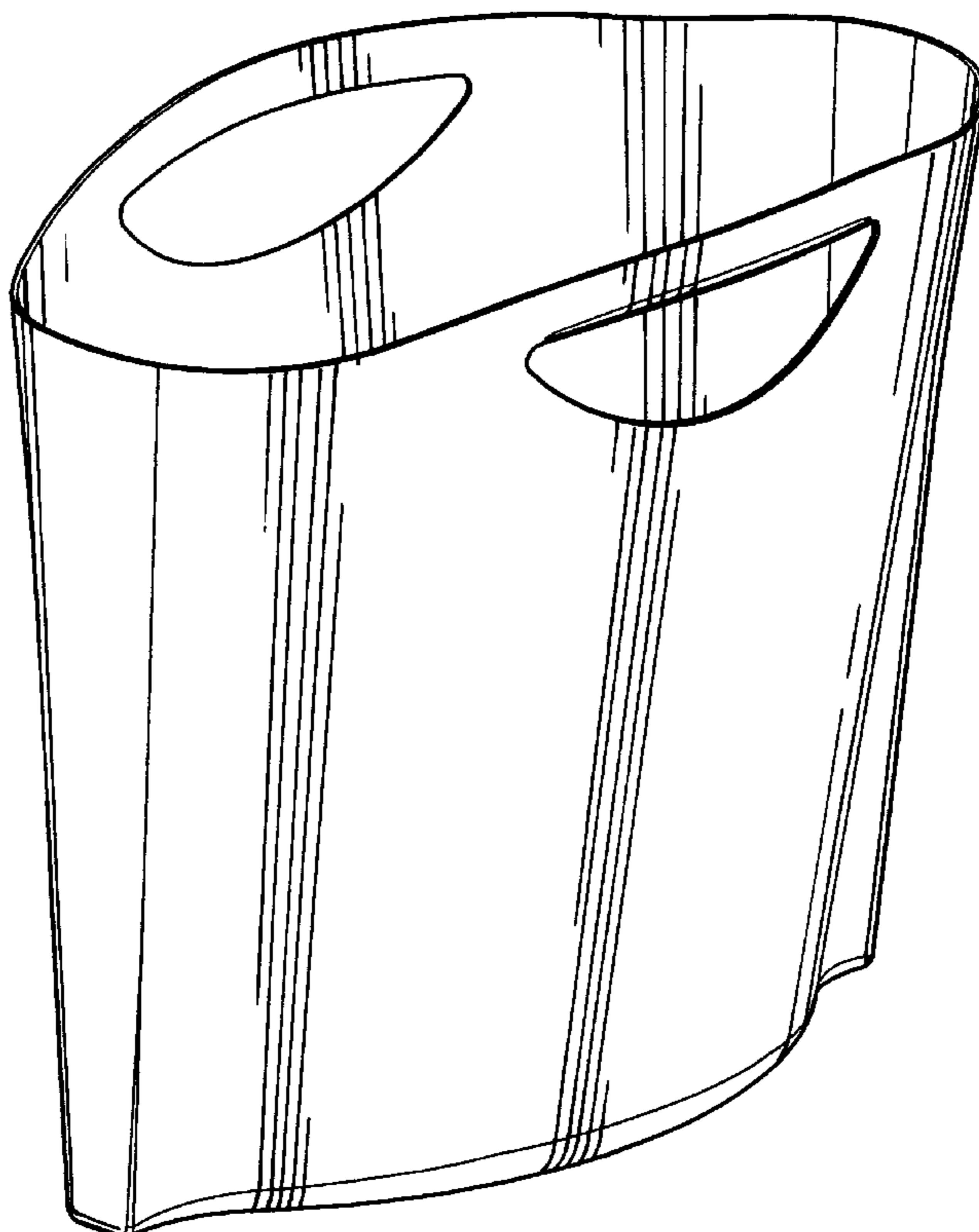
[57] **CLAIM**

The ornamental design for a handled trash basket, as shown and described.

DESCRIPTION

FIG. 1 is a top left front perspective view of a handled trash basket showing my new design;
FIG. 2 is a top plan view thereof;
FIG. 3 is a front elevational view thereof; the rear elevational view being a mirror image;
FIG. 4 is a bottom plan view thereof; and,
FIG. 5 is a right side elevational view thereof; the left side elevational view being a mirror image.

1 Claim, 3 Drawing Sheets



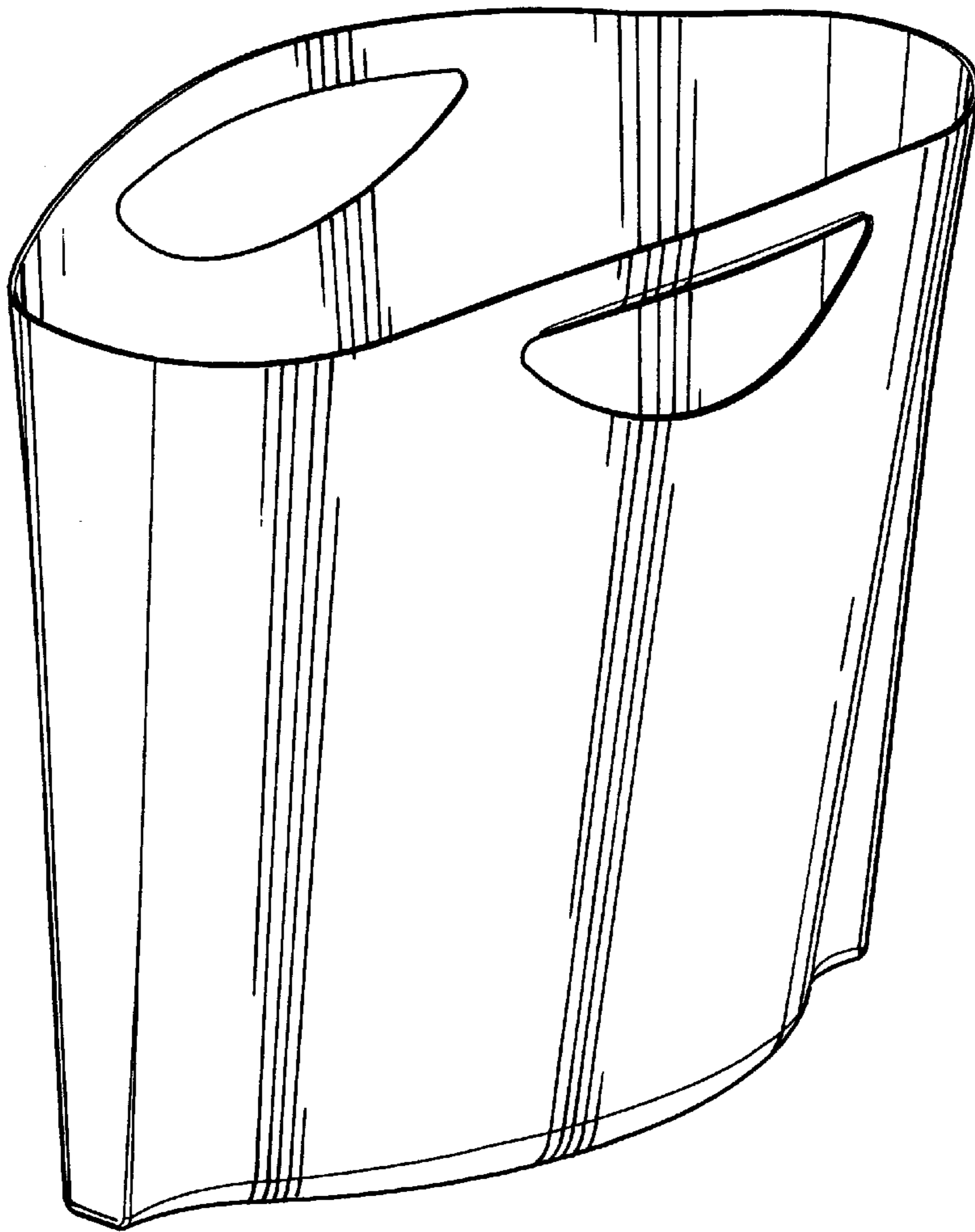


Fig-1

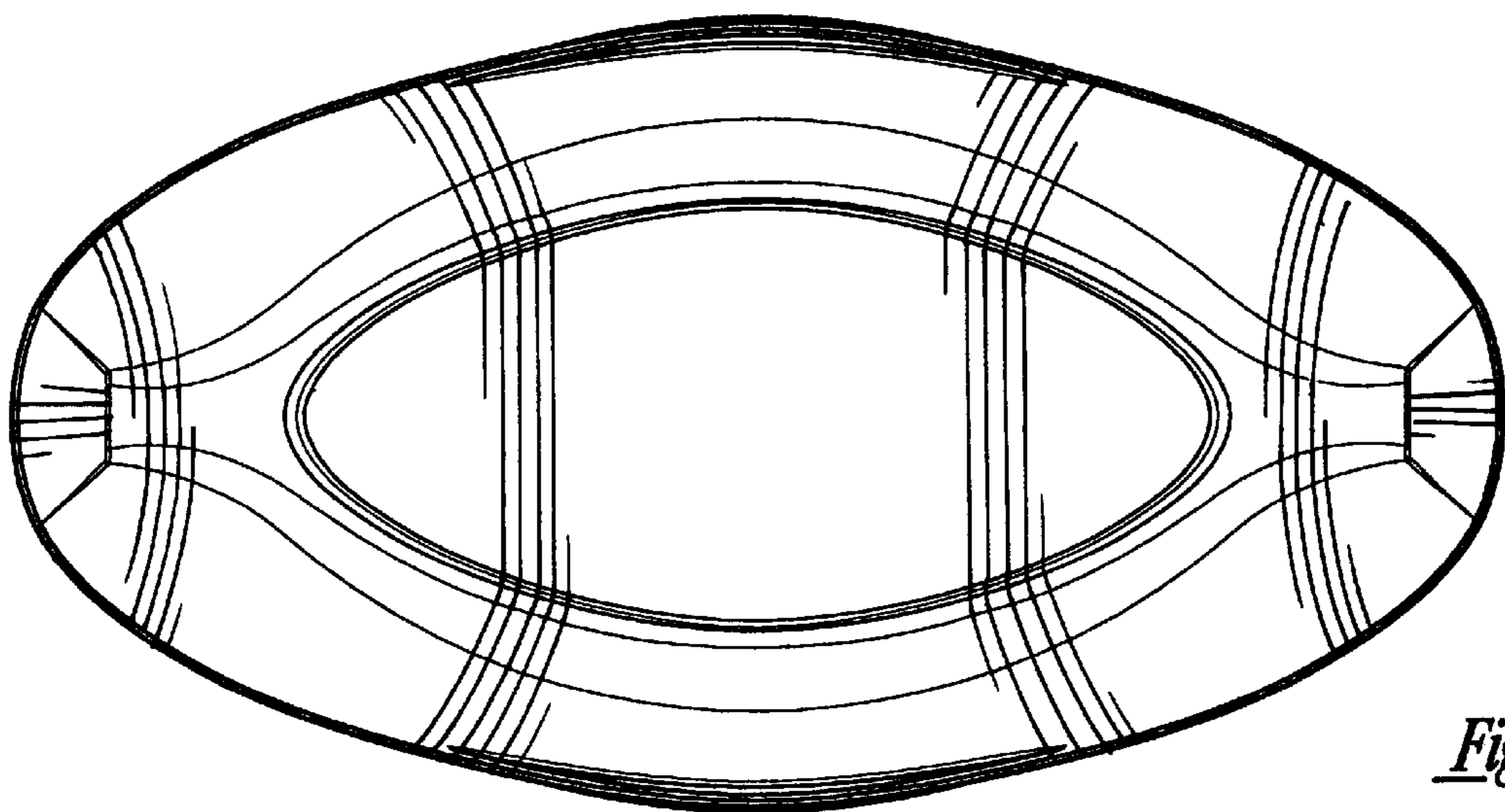


Fig-2

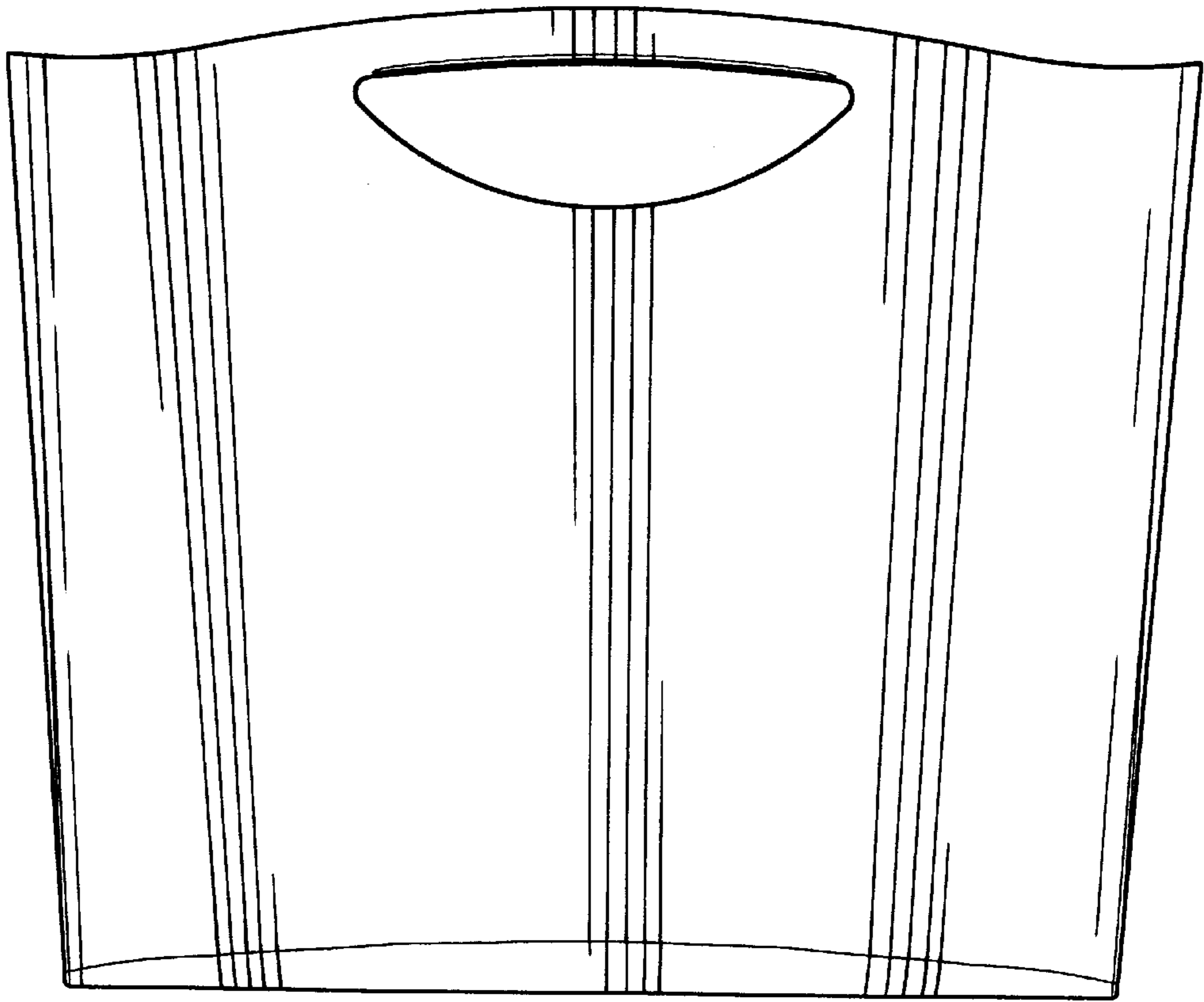


Fig-3

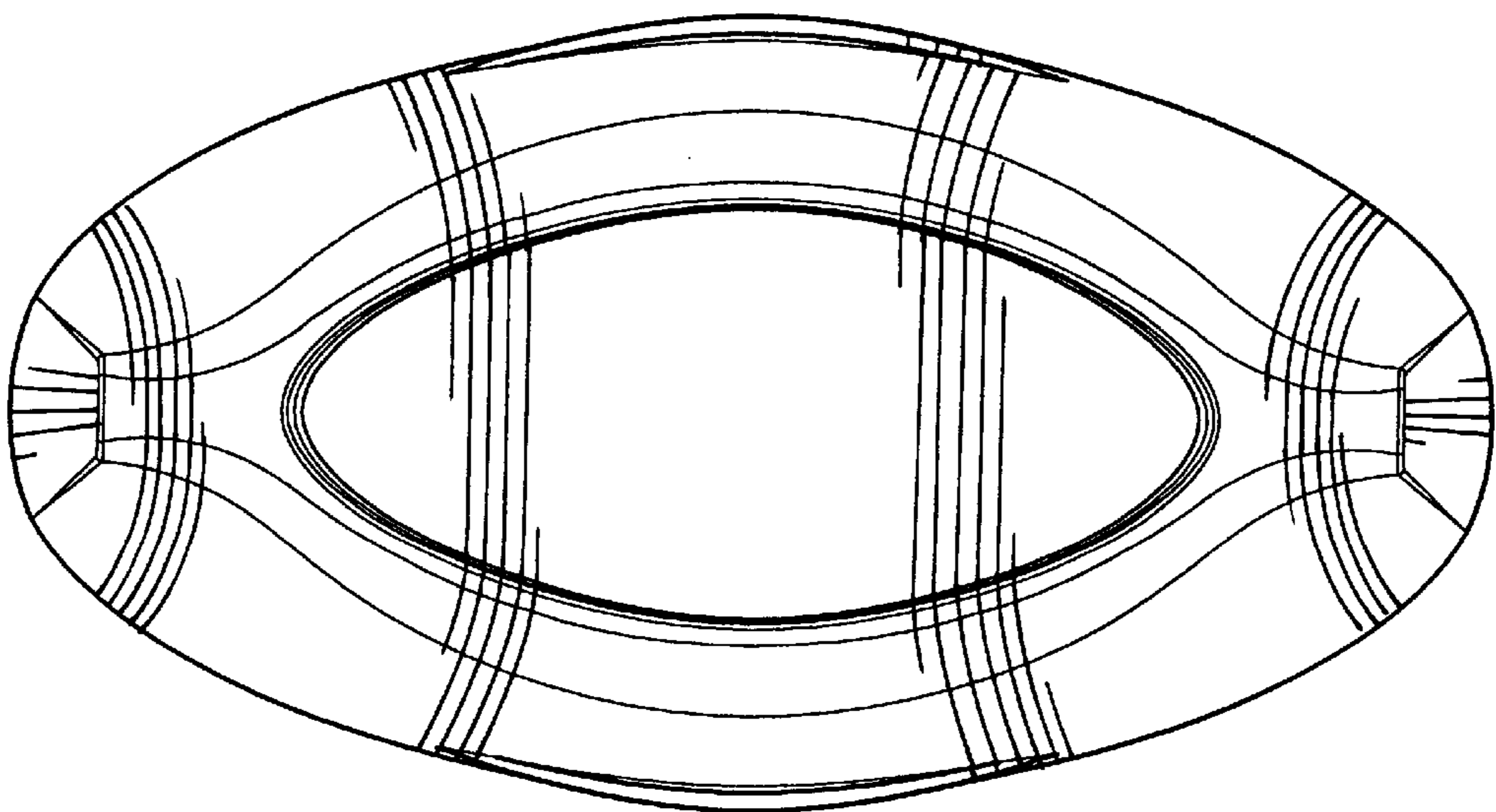


Fig-4

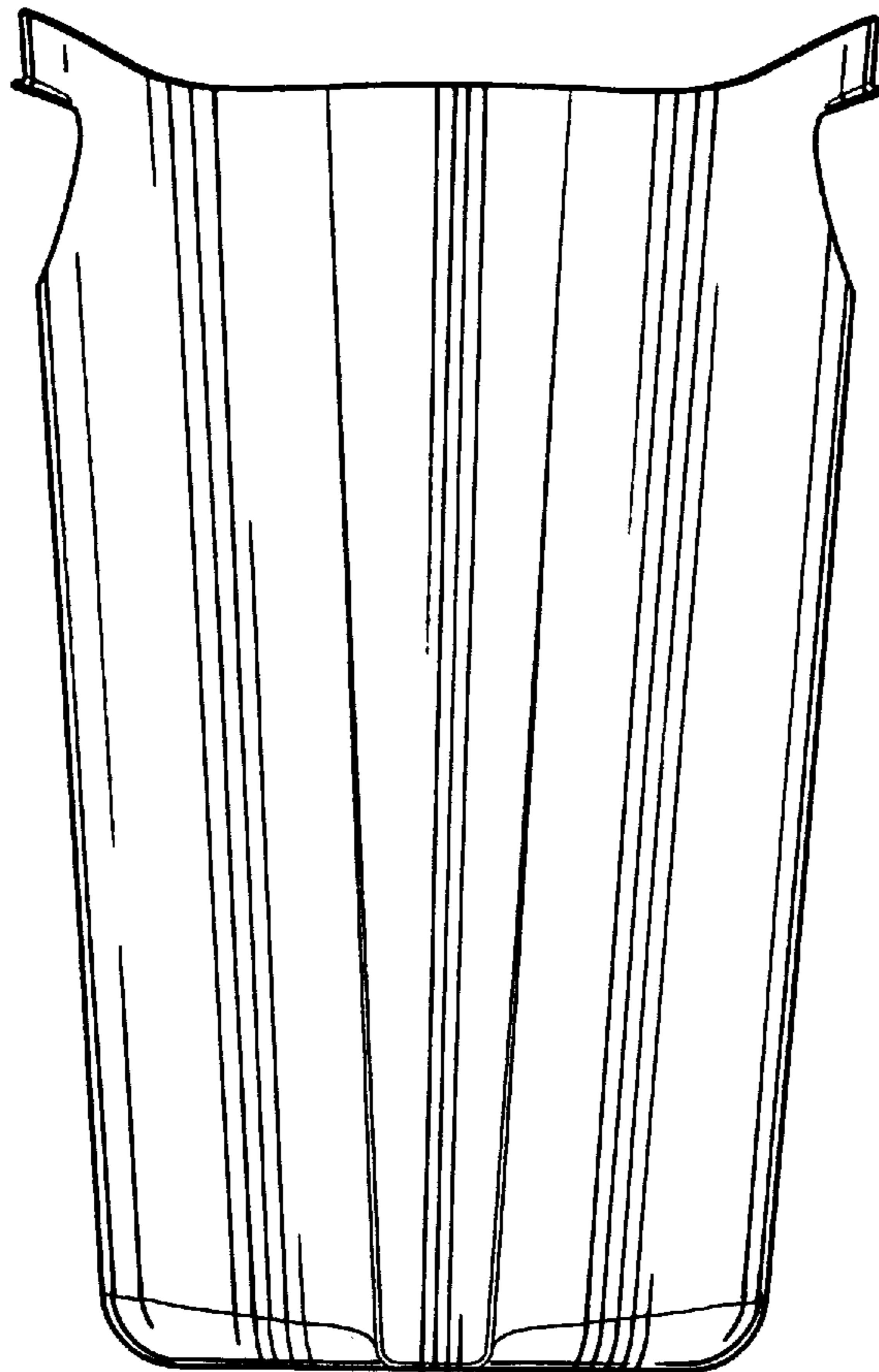


Fig-5