



US00D400329S

United States Patent [19]

Lindo

[11] **Patent Number: Des. 400,329**

[45] **Date of Patent: **Oct. 27, 1998**

[54] **COVER FOR A PAINT ROLLER PAN**

5,553,701 9/1996 Jarecki et al. 401/118
5,645,164 7/1997 Hocking 401/118

[76] Inventor: **Christopher Wayne Lindo**, 19 Tucker St., East Greenwich, R.I. 02818

Primary Examiner—Alan P. Douglas
Assistant Examiner—Robin V. Taylor
Attorney, Agent, or Firm—Salter & Michaelson

[**] Term: **14 Years**

[57] CLAIM

[21] Appl. No.: **76,814**

The ornamental design for a cover for a paint roller pan, as shown and described.

[22] Filed: **Sep. 18, 1997**

[51] **LOC (6) Cl. 07-07**

DESCRIPTION

[52] **U.S. Cl. D32/53.1; D6/610; D32/54**

[58] **Field of Search D32/53, 53.1, D32/54; 401/118, 126; 15/257.06, 257.01; D6/610**

FIG. 1 is a perspective view illustrating my new design in use;

FIG. 2 is a top plan view thereof;

FIG. 3 is a bottom plan view thereof;

FIG. 4 is a right side view thereof;

FIG. 5 is a left side view thereof;

FIG. 6 is a front view thereof; and,

FIG. 7 is a rear view thereof.

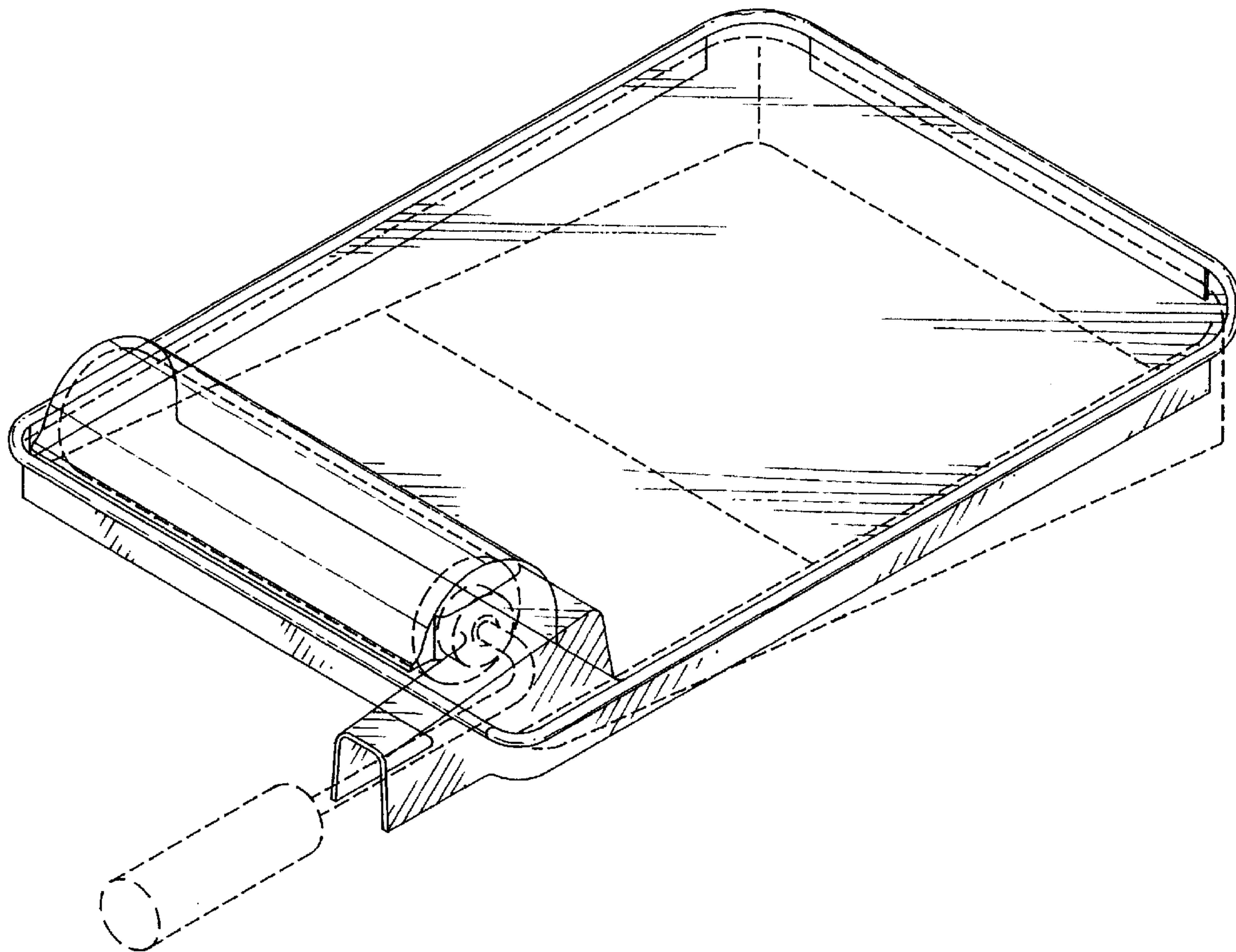
The broken lines in FIG. 1 are for information only, and form no part of the instant design.

[56] References Cited

U.S. PATENT DOCUMENTS

D. 289,456	4/1987	Fiorentino	D32/53.1
4,651,379	3/1987	Kern	15/257.06
4,765,123	8/1988	Caldwell	401/118
5,316,137	5/1994	Kyllonen	401/118
5,533,228	7/1996	Jarecki et al.	15/257.06

1 Claim, 3 Drawing Sheets



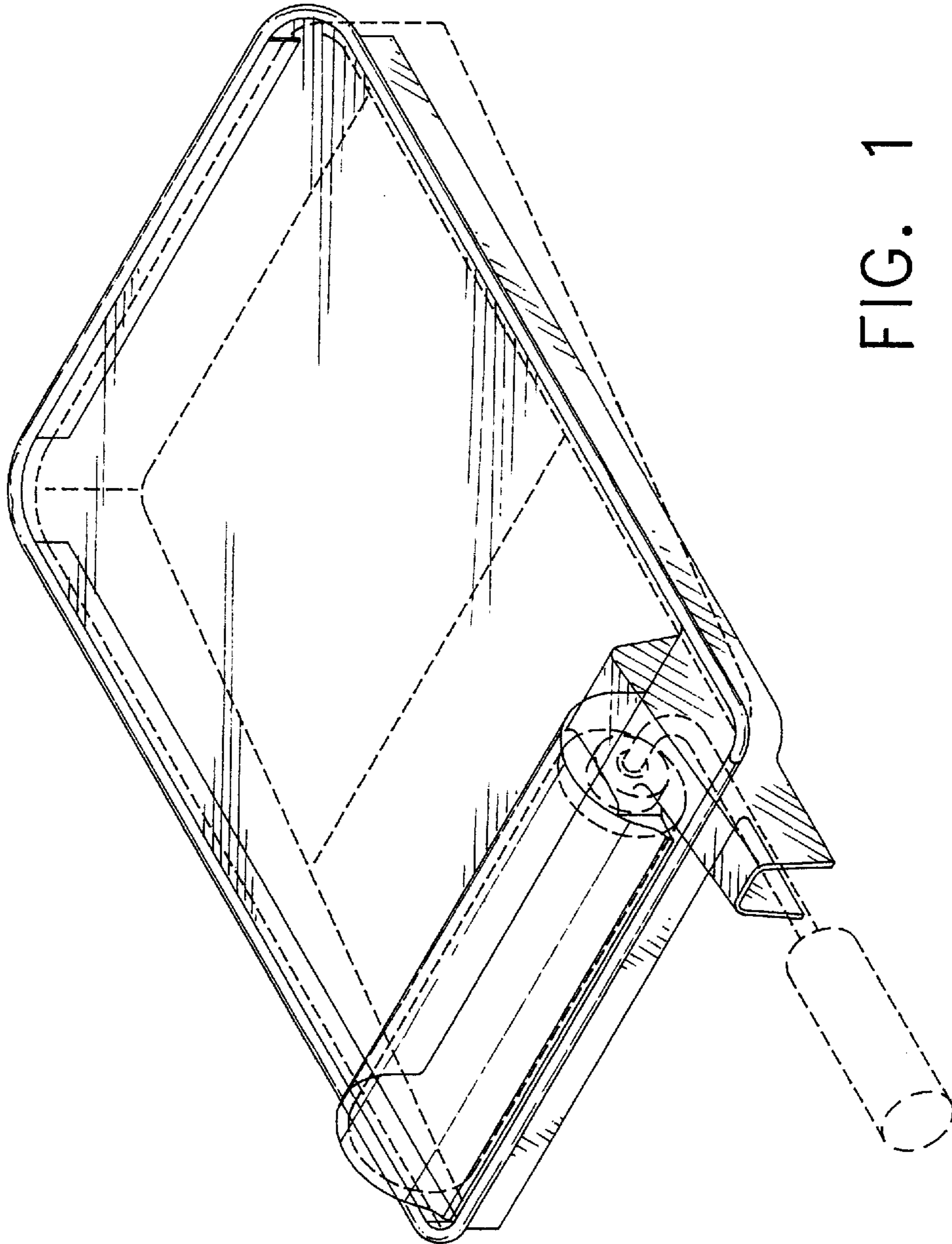


FIG. 1

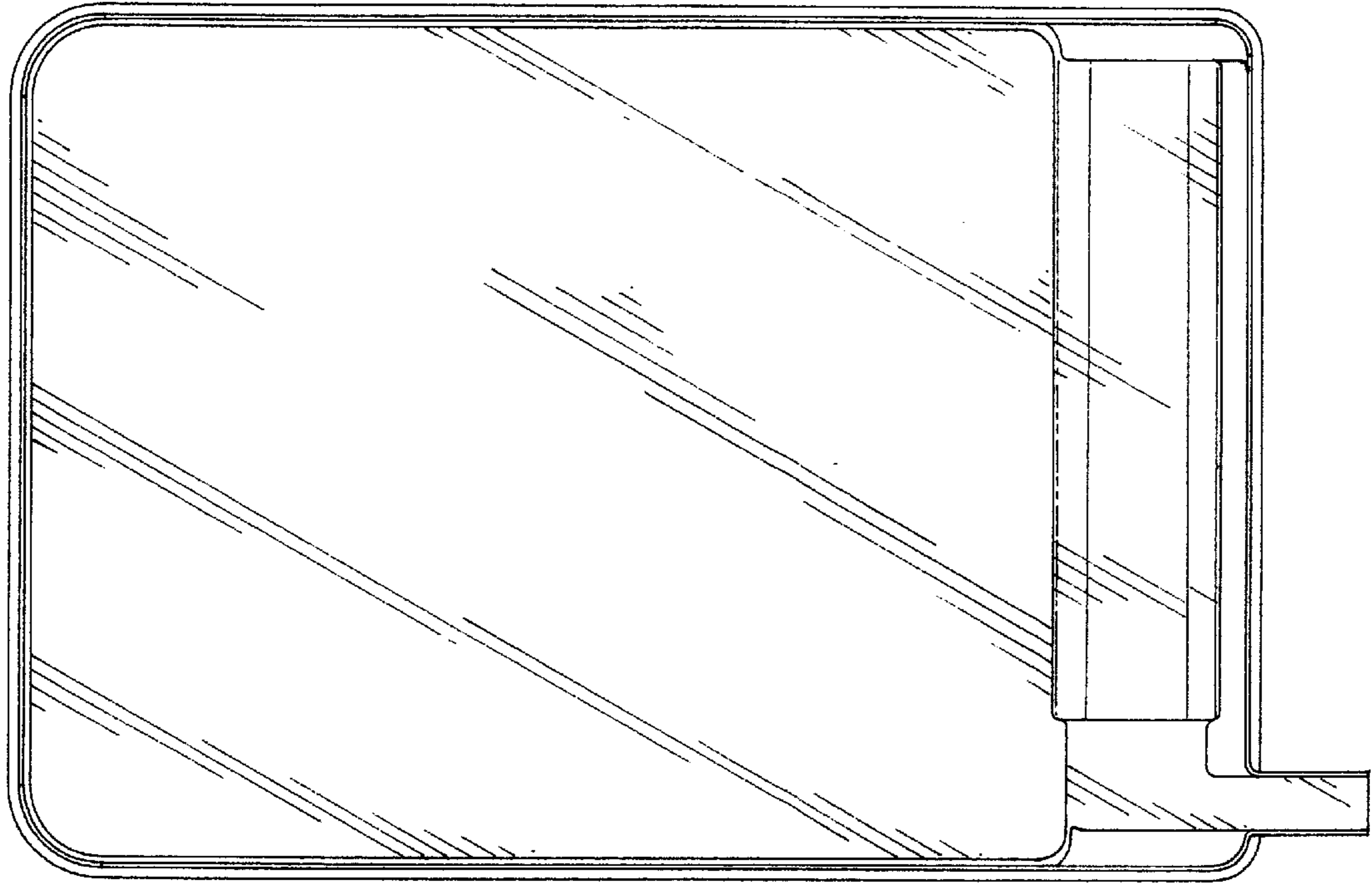


FIG. 3

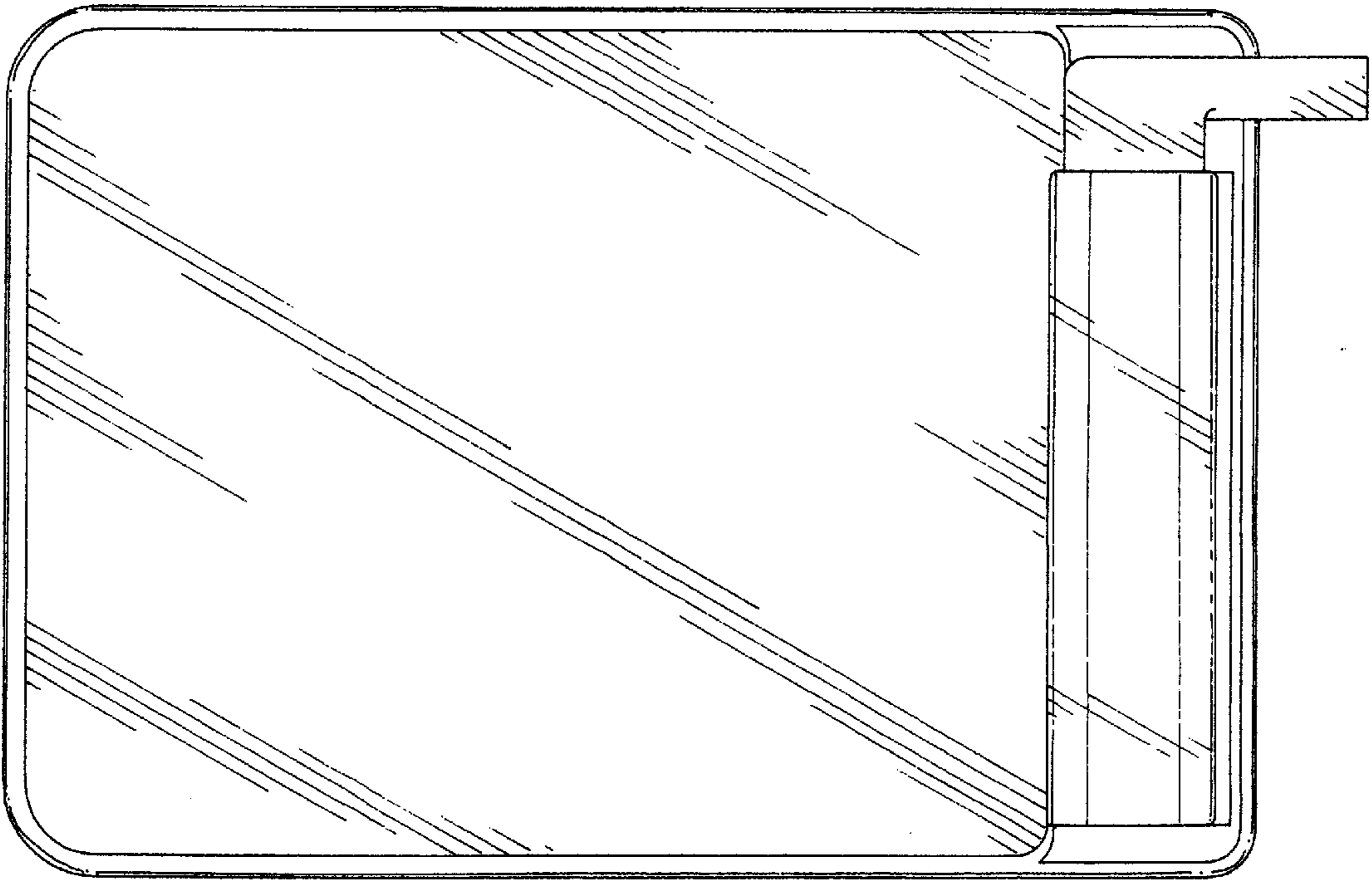


FIG. 2

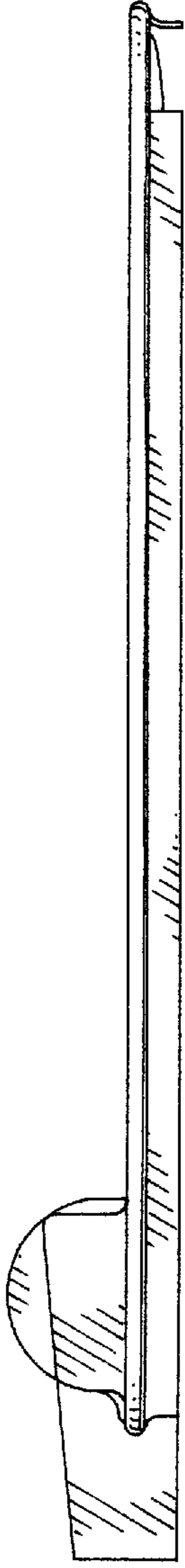


FIG. 4

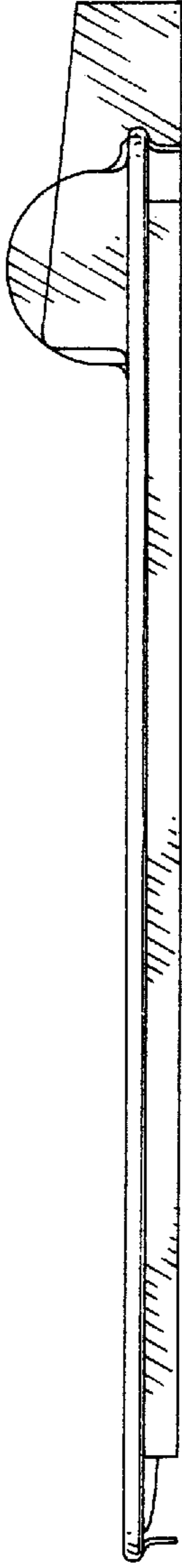


FIG. 5

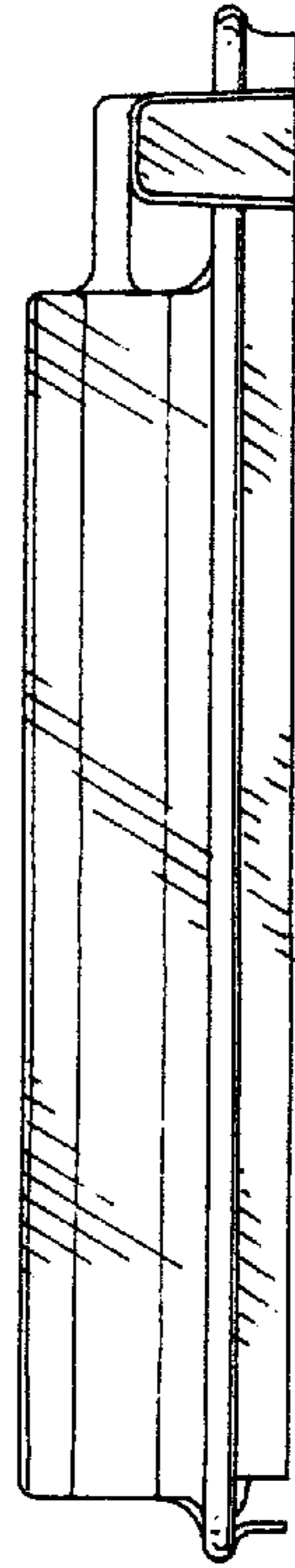


FIG. 6

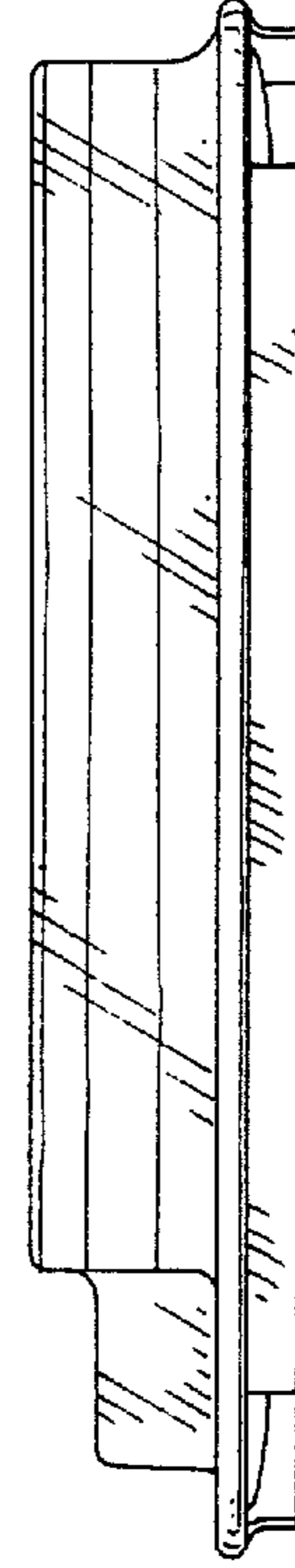


FIG. 7