

US00D400322S

# United States Patent [19]

Webster et al.

[11] **Patent Number: Des. 400,322**

[45] **Date of Patent: \*\*Oct. 27, 1998**

[54] **COMBINED BLOWER AND VACUUM**

[75] Inventors: **Craig Webster**, Newcastle-Upon-Tyne;  
**John Sadler**, Darlington, both of  
United Kingdom

[73] Assignee: **Black & Decker Inc.**, Newark, Del.

[\*\*] Term: **14 Years**

[21] Appl. No.: **69,454**

[22] Filed: **May 2, 1997**

[51] **LOC (6) Cl. .... 15-05**

[52] **U.S. Cl. .... D32/15**

[58] **Field of Search** ..... D32/1, 15, 17,  
D32/18; 15/303, 344, 345, 405, 409

[56] **References Cited**

**U.S. PATENT DOCUMENTS**

- D. 279,319 6/1985 McCloskey et al. .... D32/15
- D. 297,870 9/1988 Kiyooka et al. .... D32/15
- D. 349,983 8/1994 Tuggle et al. .... D32/15
- D. 352,579 11/1994 Baker et al. .... D32/15

- D. 358,912 5/1995 Baker et al. .... D32/15
- D. 388,561 10/1996 Tuggle et al. .... D32/15
- 5,673,457 10/1997 Webster et al. .... 15/330

*Primary Examiner*—Ruth McInroy  
*Attorney, Agent, or Firm*—Kerry H. Owens; Charles E. Yocum

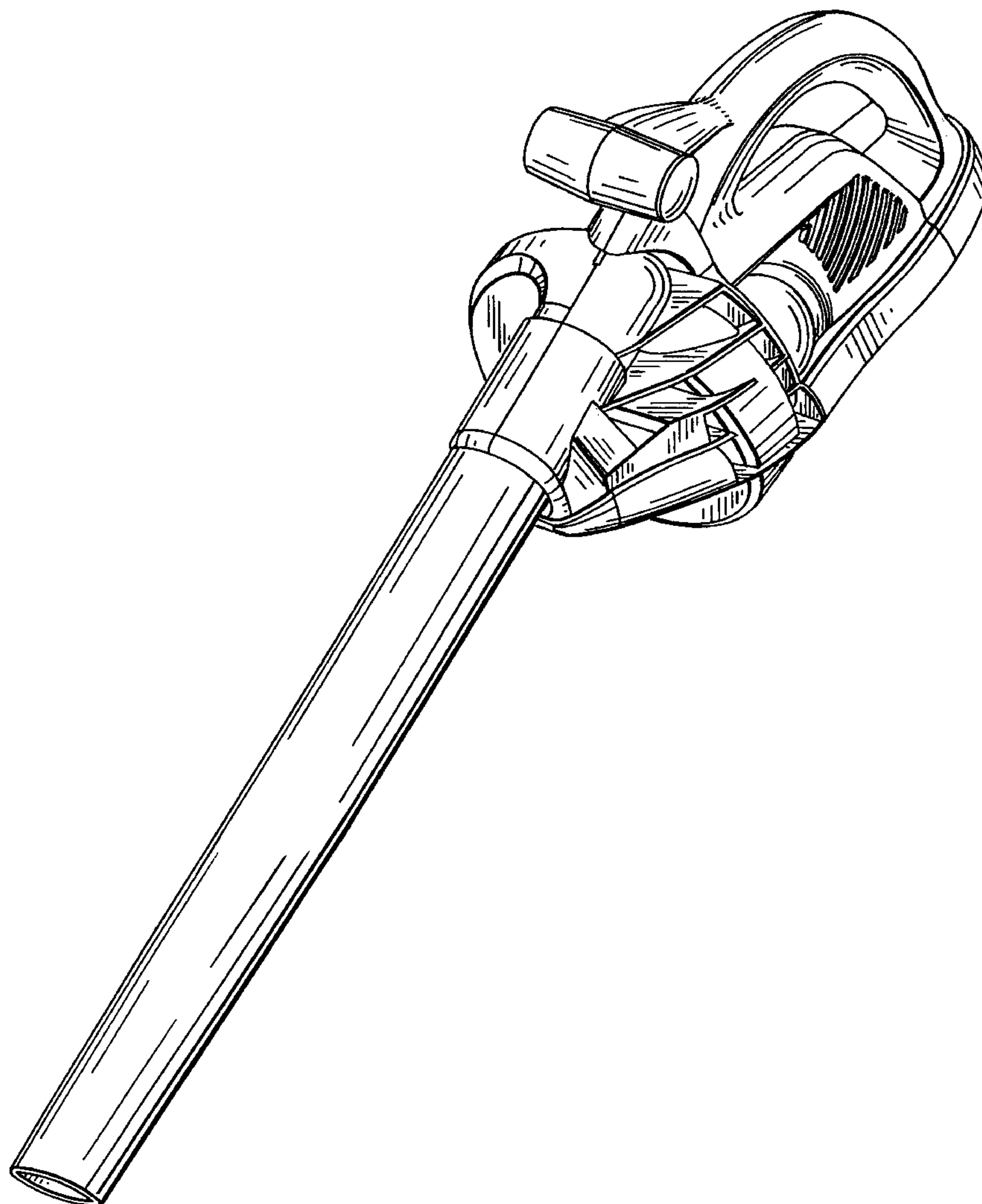
[57] **CLAIM**

An ornamental design for a combined blower and vacuum, as shown and described.

**DESCRIPTION**

FIG. 1 is a front perspective view of a combined blower and vacuum showing our new design;  
FIG. 2 is a rear perspective view thereof;  
FIG. 3 is a side elevational view thereof;  
FIG. 4 is a side elevational view of the opposite side of FIG. 3;  
FIG. 5 is a front elevational view thereof;  
FIG. 6 is a rear elevational view thereof;  
FIG. 7 is a top plan view thereof; and,  
FIG. 8 is a bottom plan view thereof.

**1 Claim, 7 Drawing Sheets**



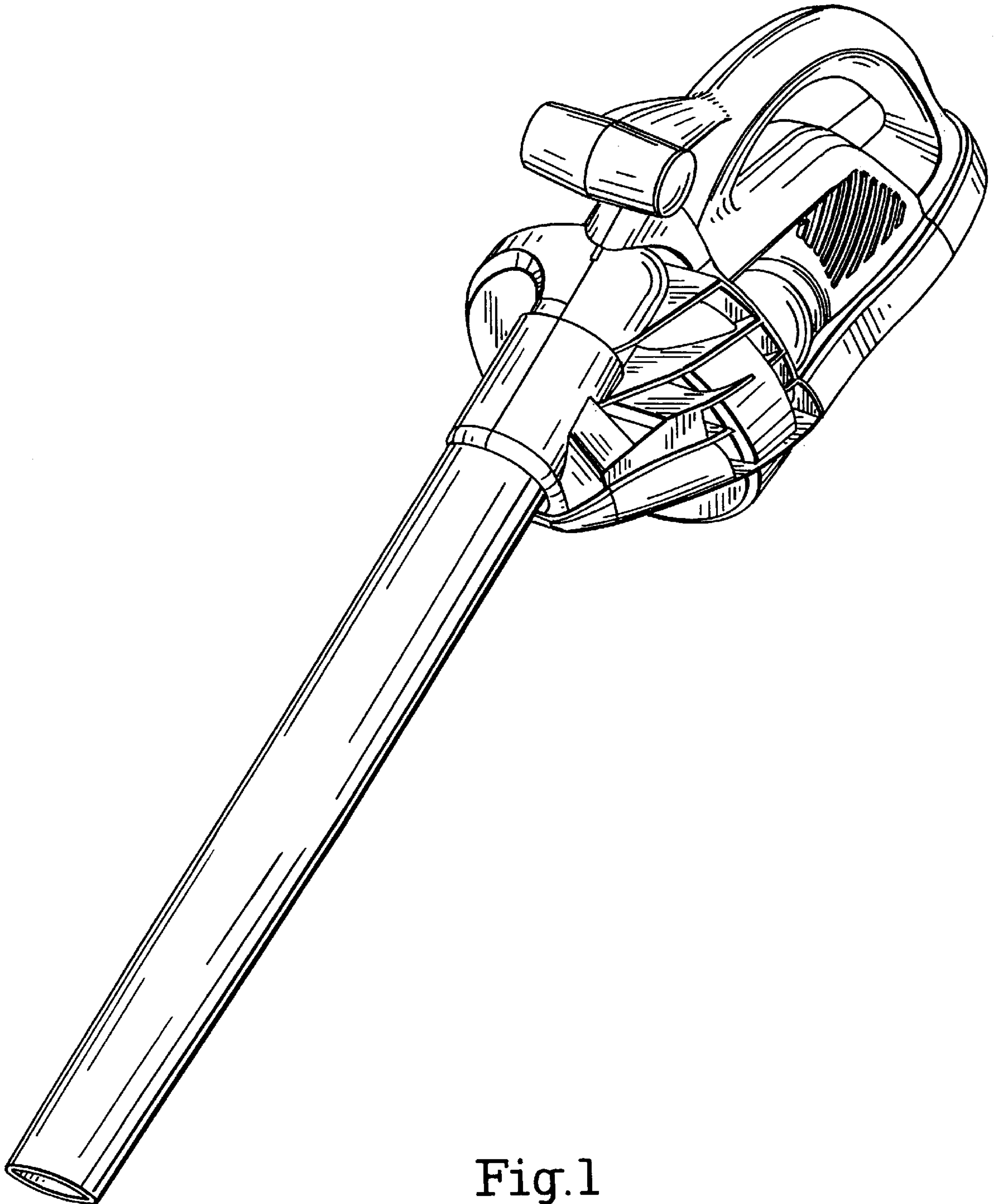


Fig.1

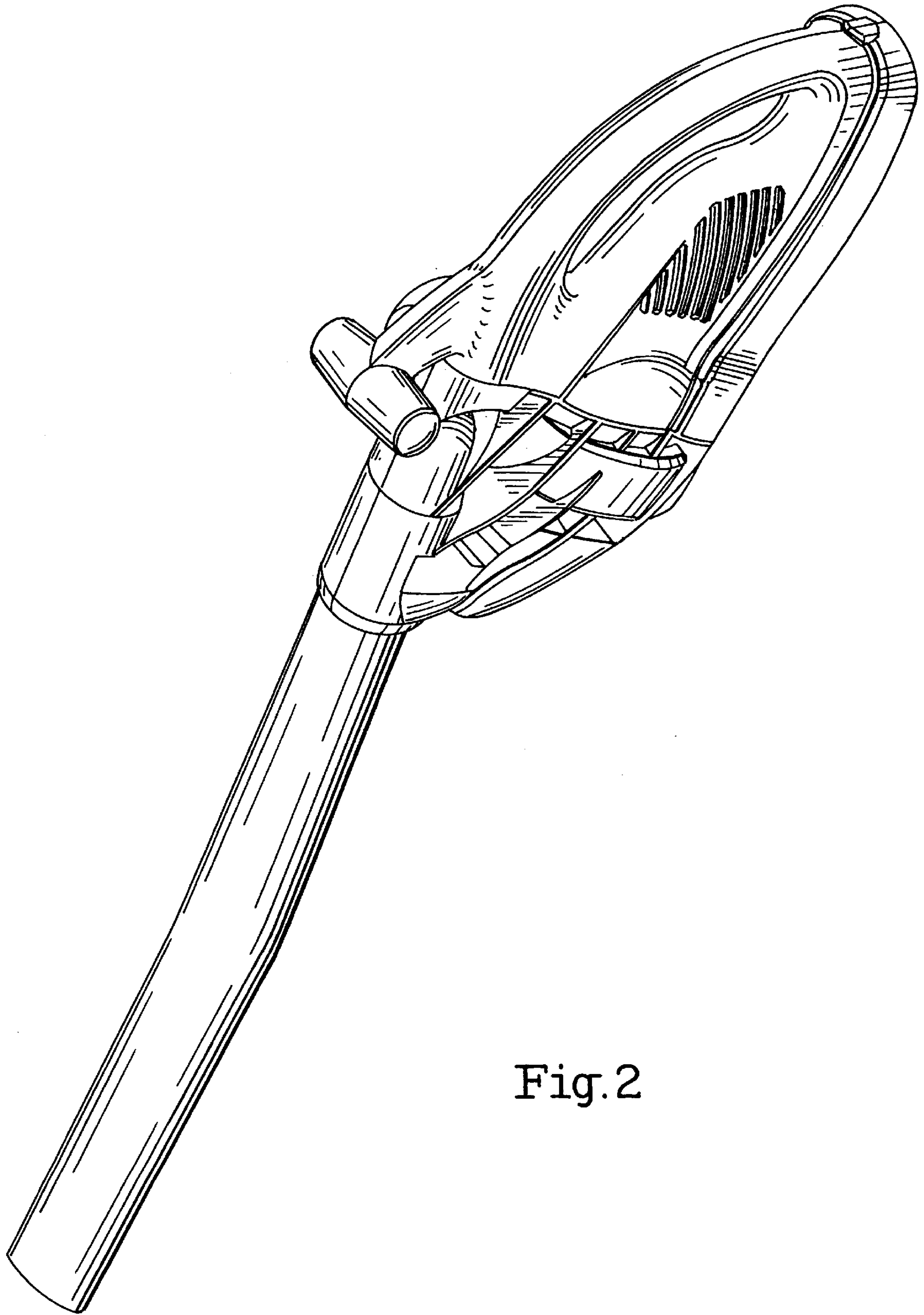


Fig. 2

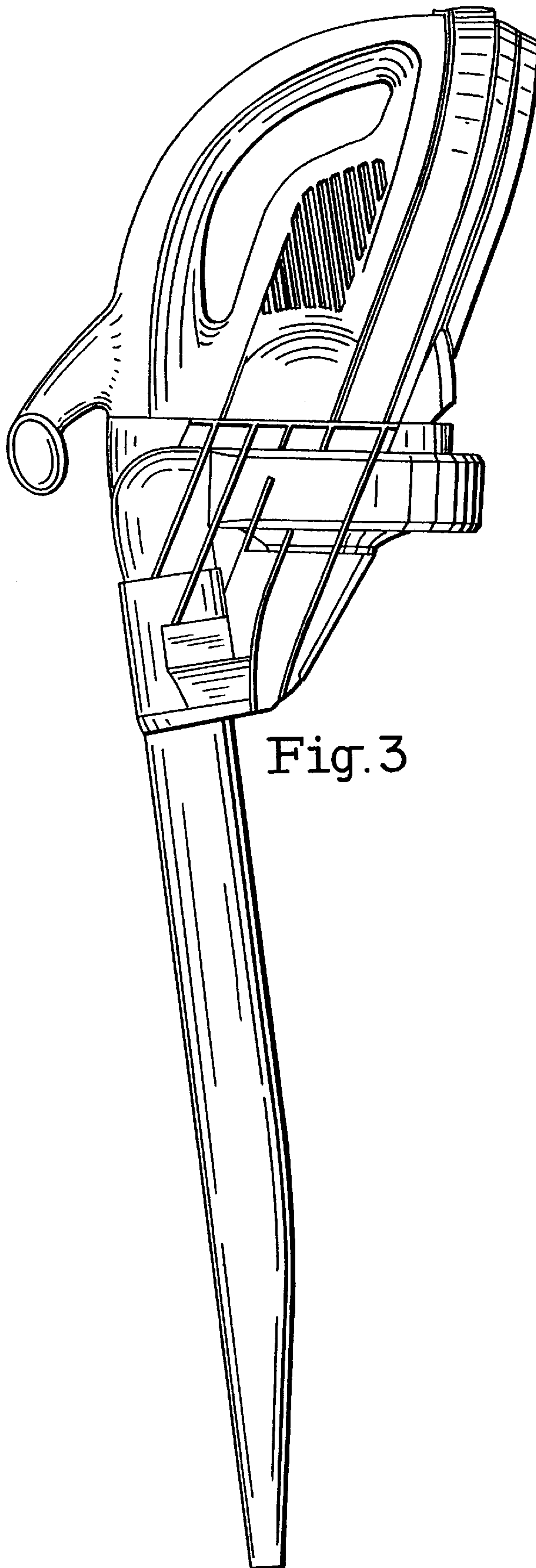


Fig. 3



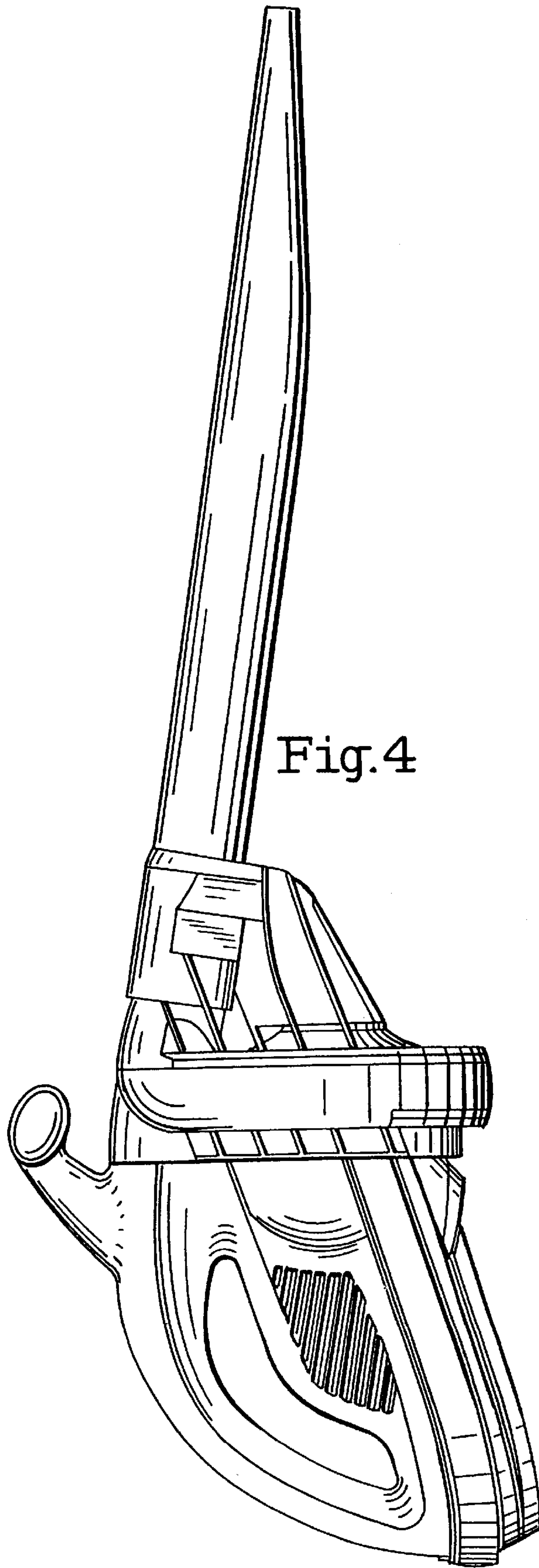


Fig.5

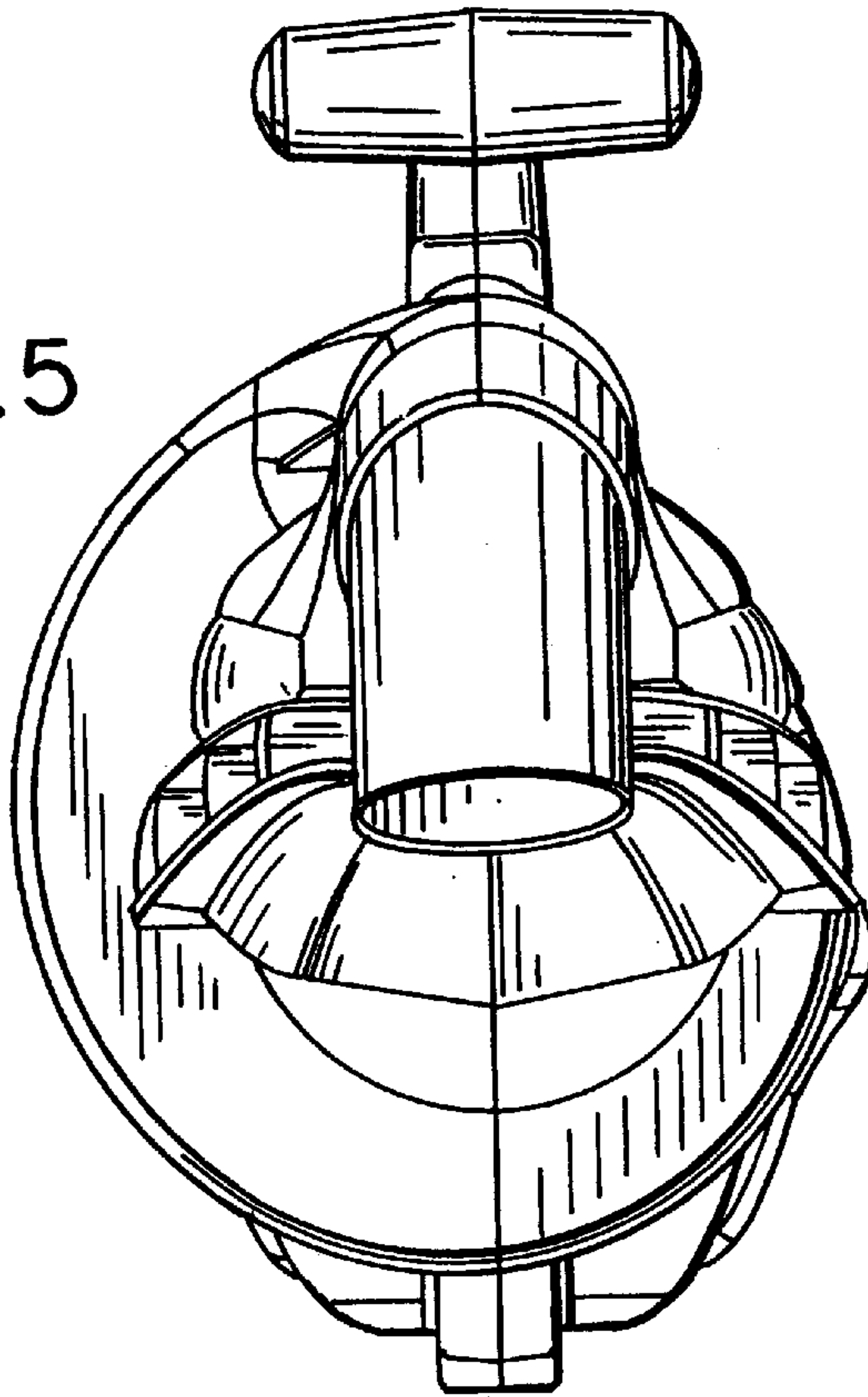
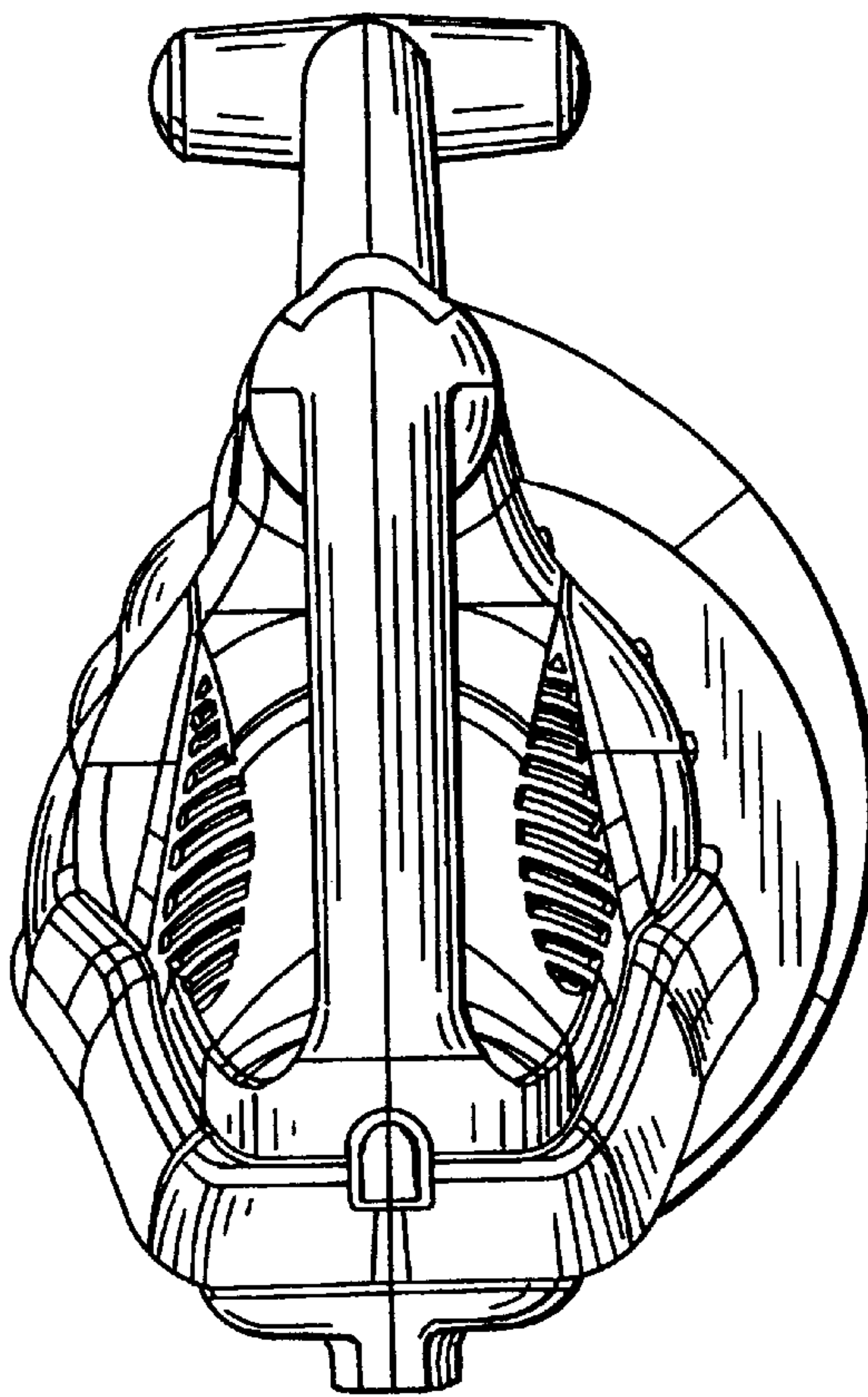


Fig.6



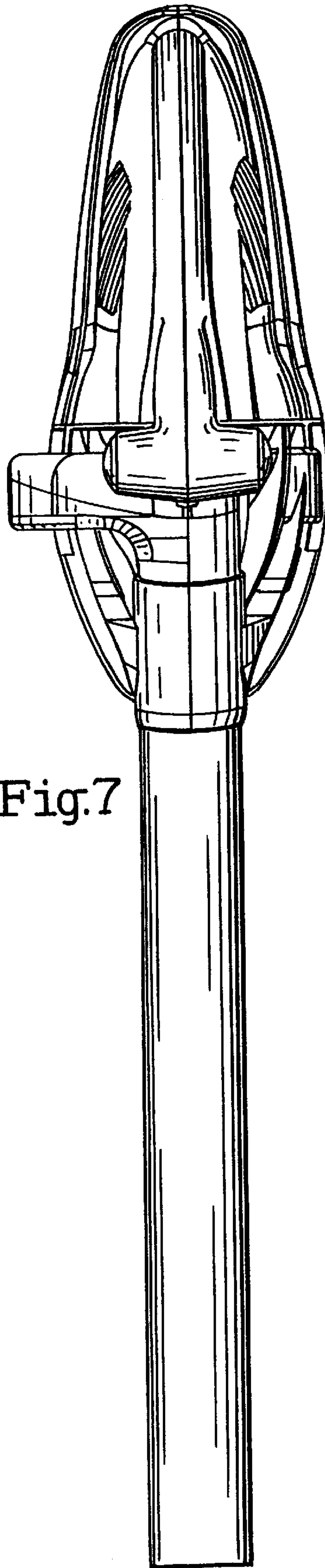


Fig.7

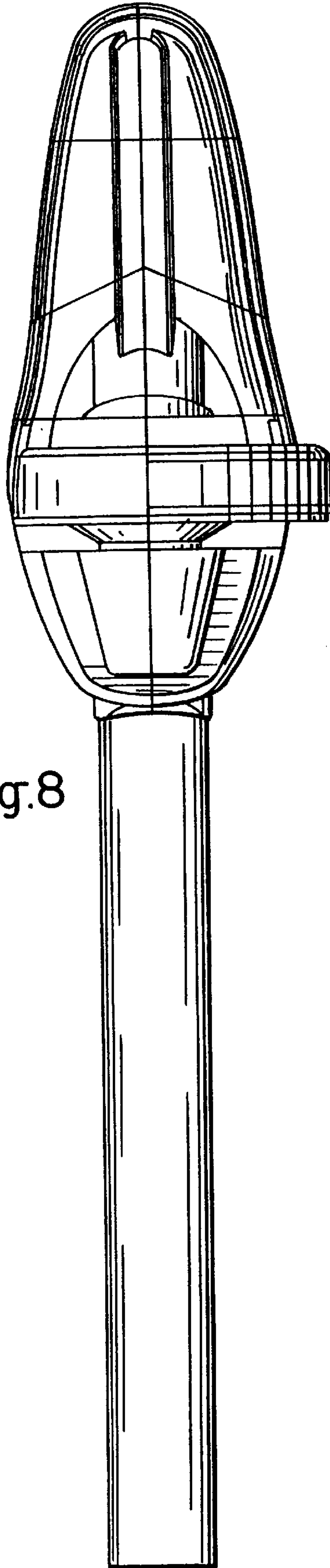


Fig.8