



US00D400321S

**United States Patent** [19]  
**Goodin et al.**

[11] **Patent Number: Des. 400,321**  
[45] **Date of Patent: \*\*Oct. 27, 1998**

[54] **HALF DISH RACK EXTENDER**  
[75] Inventors: **John W. Goodin**, Coto de Caza;  
**Charles W. Jarvis**, Irvine, both of  
Calif.  
[73] Assignee: **Cambro Manufacturing Company**,  
Huntington Beach, Calif.  
[\*\*] Term: **14 Years**  
[21] Appl. No.: **81,175**  
[22] Filed: **Dec. 23, 1997**  
[51] **LOC (6) Cl.** ..... **15-05**  
[52] **U.S. Cl.** ..... **D32/3; D3/314**  
[58] **Field of Search** ..... **D32/3; 220/488;**  
**211/181.1, 41.3, 41.4, 41.8, 41; D3/304-314**

D. 383,880 9/1997 Good ..... D32/3  
2,741,392 4/1956 Weiss ..... 211/41  
3,141,552 7/1964 Ettliger, Jr. .... 211/41  
3,568,848 3/1971 Tzifkansky ..... 211/41.8

*Primary Examiner*—Ted Shooman  
*Assistant Examiner*—Mitchell I. Siegel  
*Attorney, Agent, or Firm*—George F. Bethel; Patience K.  
Bethel

[57] **CLAIM**

We claim the ornamental design for a half dish rack extender, as shown and described.

**DESCRIPTION**

FIG. 1 shows a perspective view of our design of a half dish rack extender;  
FIG. 2 shows a side elevation view opposite from that shown in FIG. 1;  
FIG. 3 shows an end elevation view looking from the left side of FIG. 1;  
FIG. 4 shows a top plan view; and,  
FIG. 5 show a bottom plan view.

[56] **References Cited**  
**U.S. PATENT DOCUMENTS**  
D. 193,108 6/1962 Ettliger ..... D32/3  
D. 201,383 6/1965 Kesilman et al. .... D32/3  
D. 383,879 9/1997 Good ..... D32/3

**1 Claim, 3 Drawing Sheets**

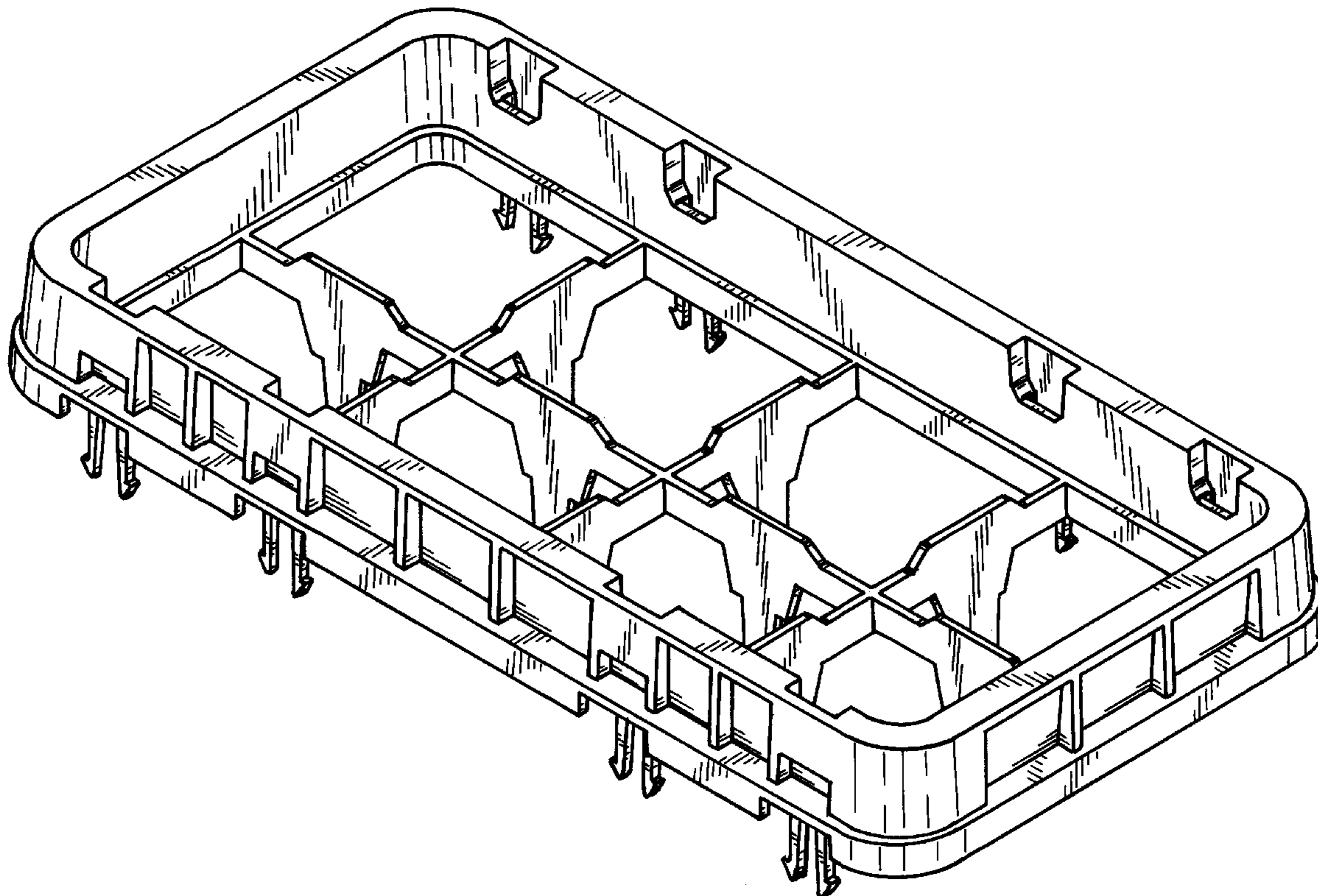
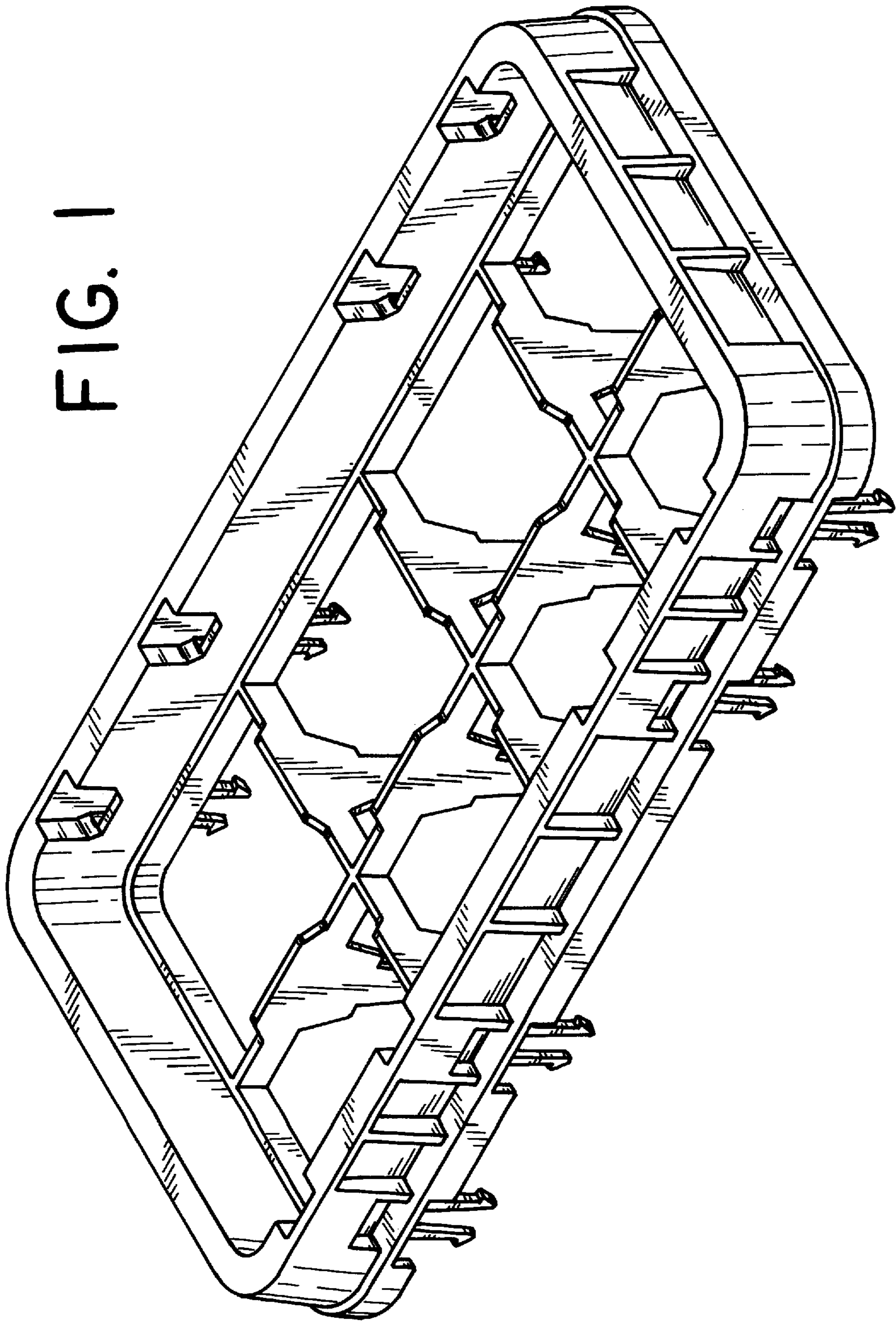


FIG. 1



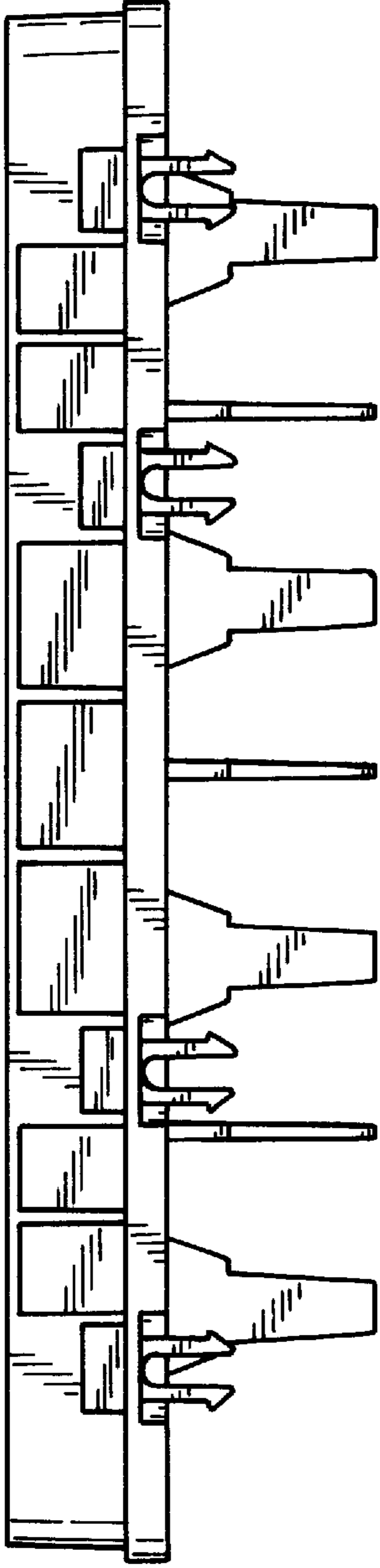


FIG. 2

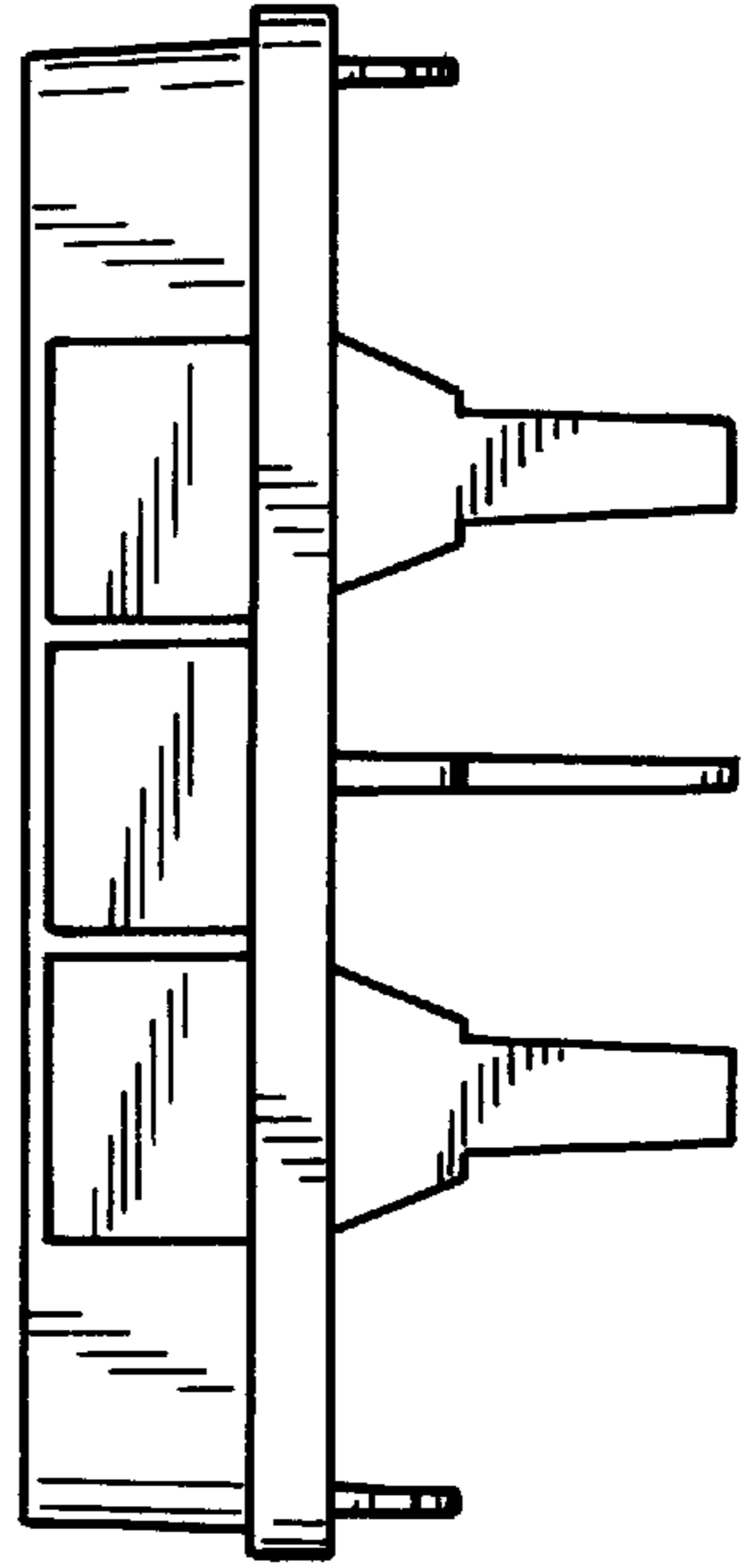


FIG. 3

FIG. 4

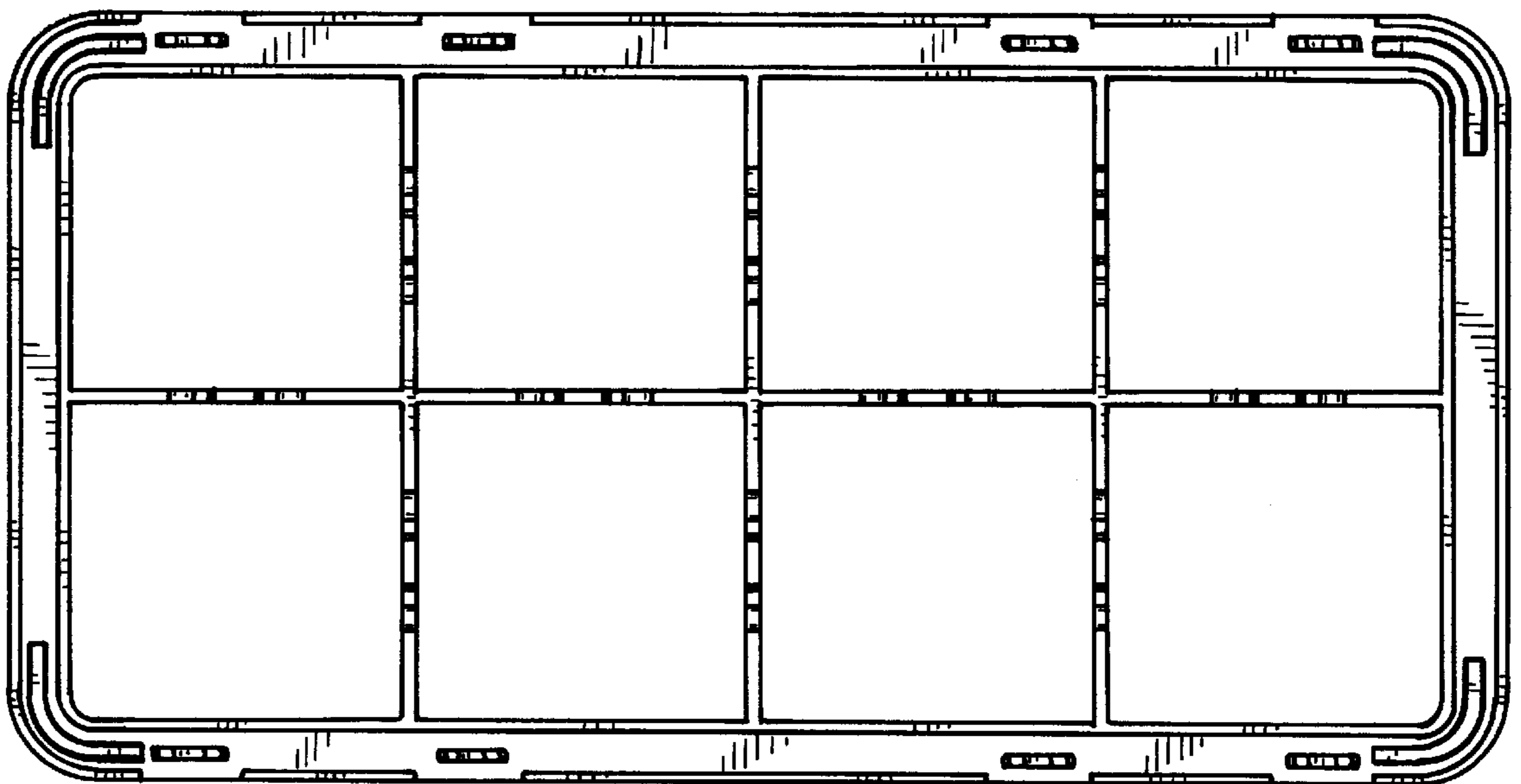
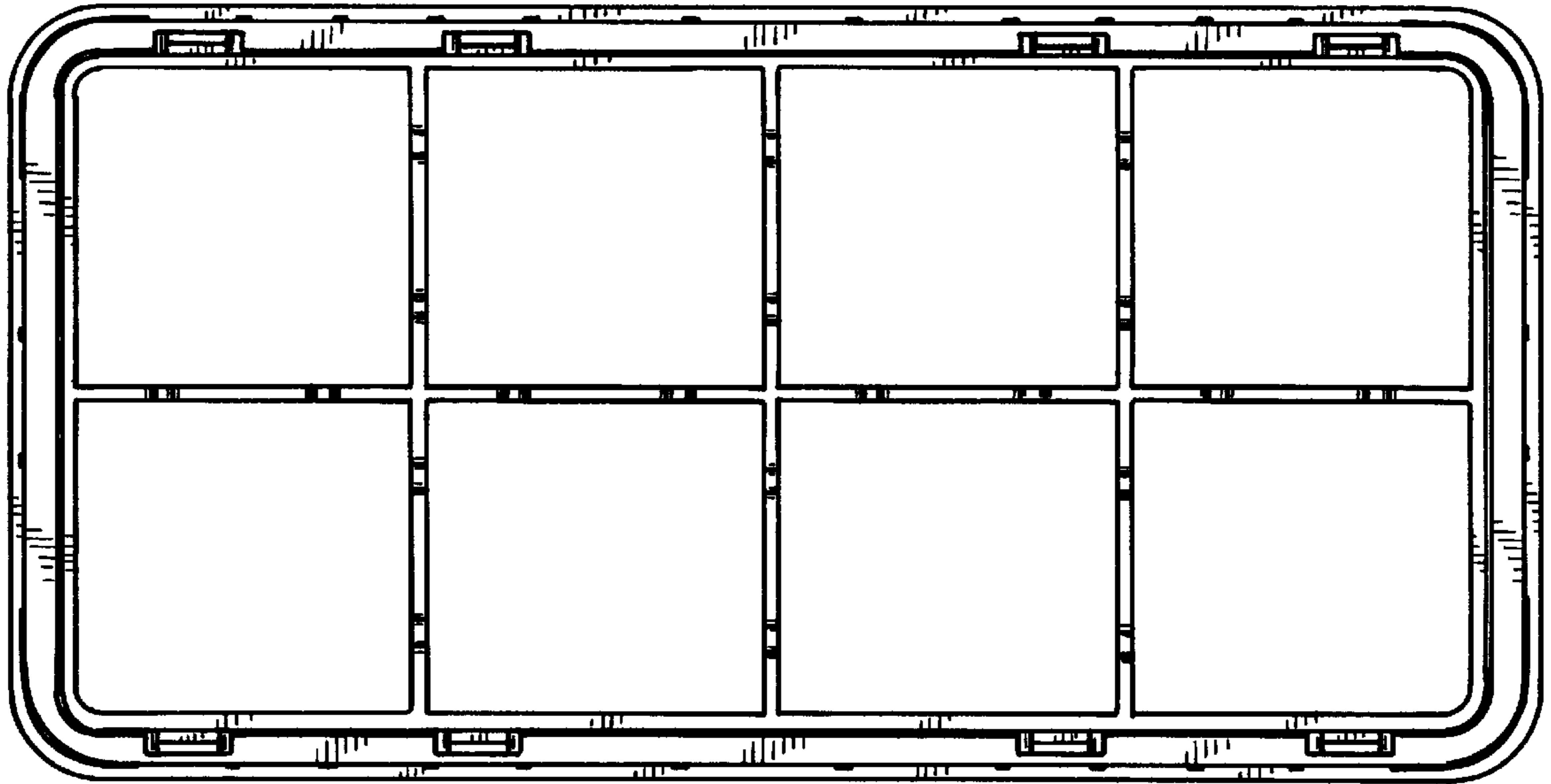


FIG. 5