



US00D400319S

# United States Patent [19]

Hofheins et al.

[11] Patent Number: **Des. 400,319**

[45] Date of Patent: **\*\*Oct. 27, 1998**

[54] **SWIMMING POOL CLEANER HOUSING**

D. 384,782 10/1997 Geffer ..... D32/21  
3,753,265 8/1973 Wule .  
5,128,031 7/1992 Midkiff .

[75] Inventors: **Leonard L. Hofheins**, Walnut Creek;  
**Del M. Thornock**, Concord, both of  
Calif.

*Primary Examiner*—Ruth McInroy  
*Attorney, Agent, or Firm*—Selitto & Associates

[73] Assignee: **H-Tech, Inc.**, Wilmington, Del.

[57] **CLAIM**

[\*\*] Term: **14 Years**

The ornamental design for a swimming pool cleaner hous-  
ing, as shown.

[21] Appl. No.: **70,346**

[22] Filed: **May 7, 1997**

**DESCRIPTION**

[51] **LOC (6) Cl.** ..... **15-05**

[52] **U.S. Cl.** ..... **D32/1; D32/21**

[58] **Field of Search** ..... 15/1.7, 404, 379;  
D32/1, 21, 15; 210/169, 416.2, 241

FIG. 1 is a front perspective view of a swimming pool cleaner housing showing our new design;  
FIG. 2 is a right side elevational view thereof, the left side being a mirror image of FIG. 2;  
FIG. 3 is a rear elevational view thereof;  
FIG. 4 is a front elevational view thereof;  
FIG. 5 is a top plan view thereof; and,  
FIG. 6 is a bottom plan view thereof.

[56] **References Cited**

**U.S. PATENT DOCUMENTS**

D. 304,505 11/1989 Maier et al. .... D32/23  
D. 325,452 4/1992 Geffer .

**1 Claim, 3 Drawing Sheets**

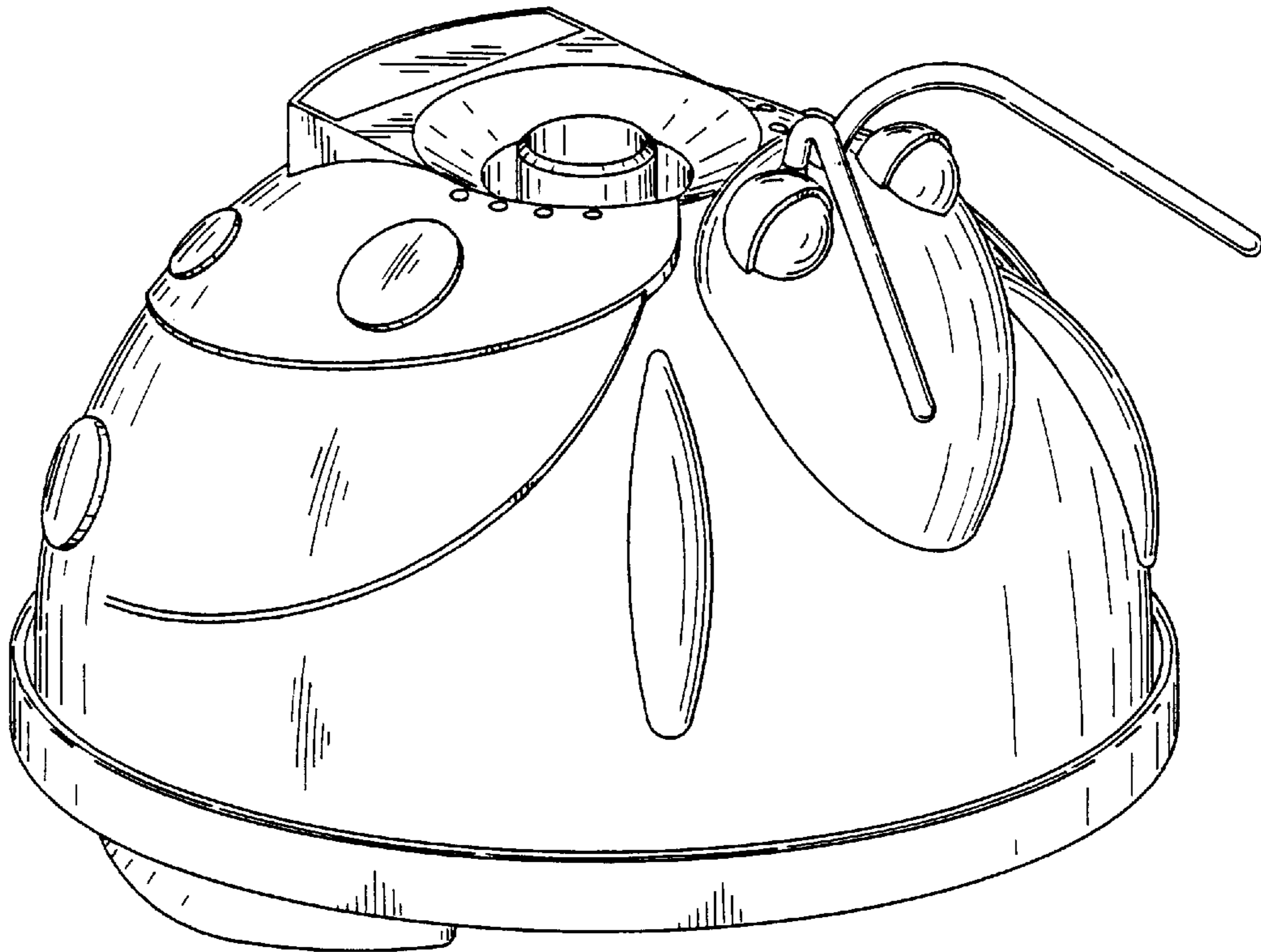


FIG. 1

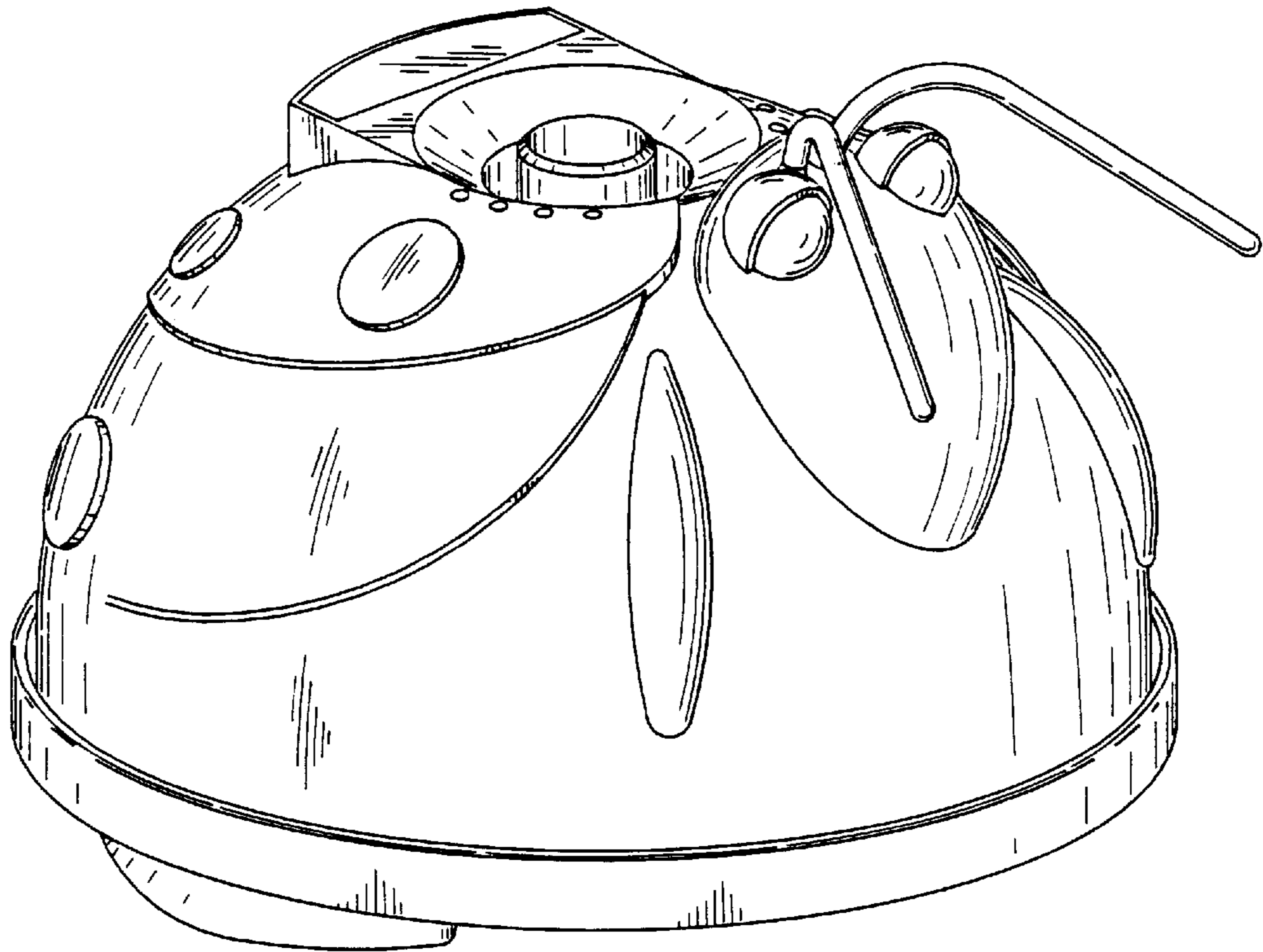


FIG. 2

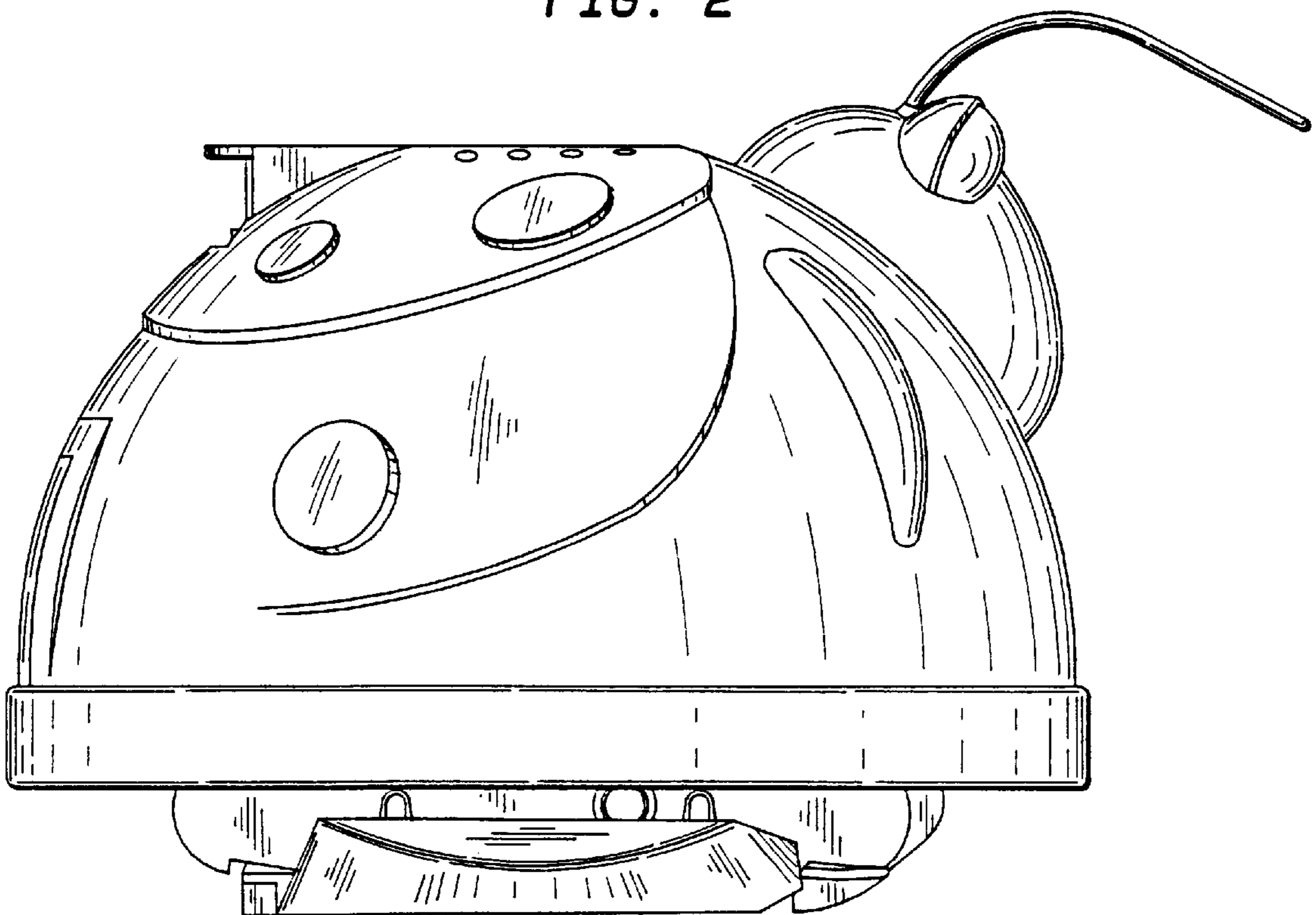


FIG. 3

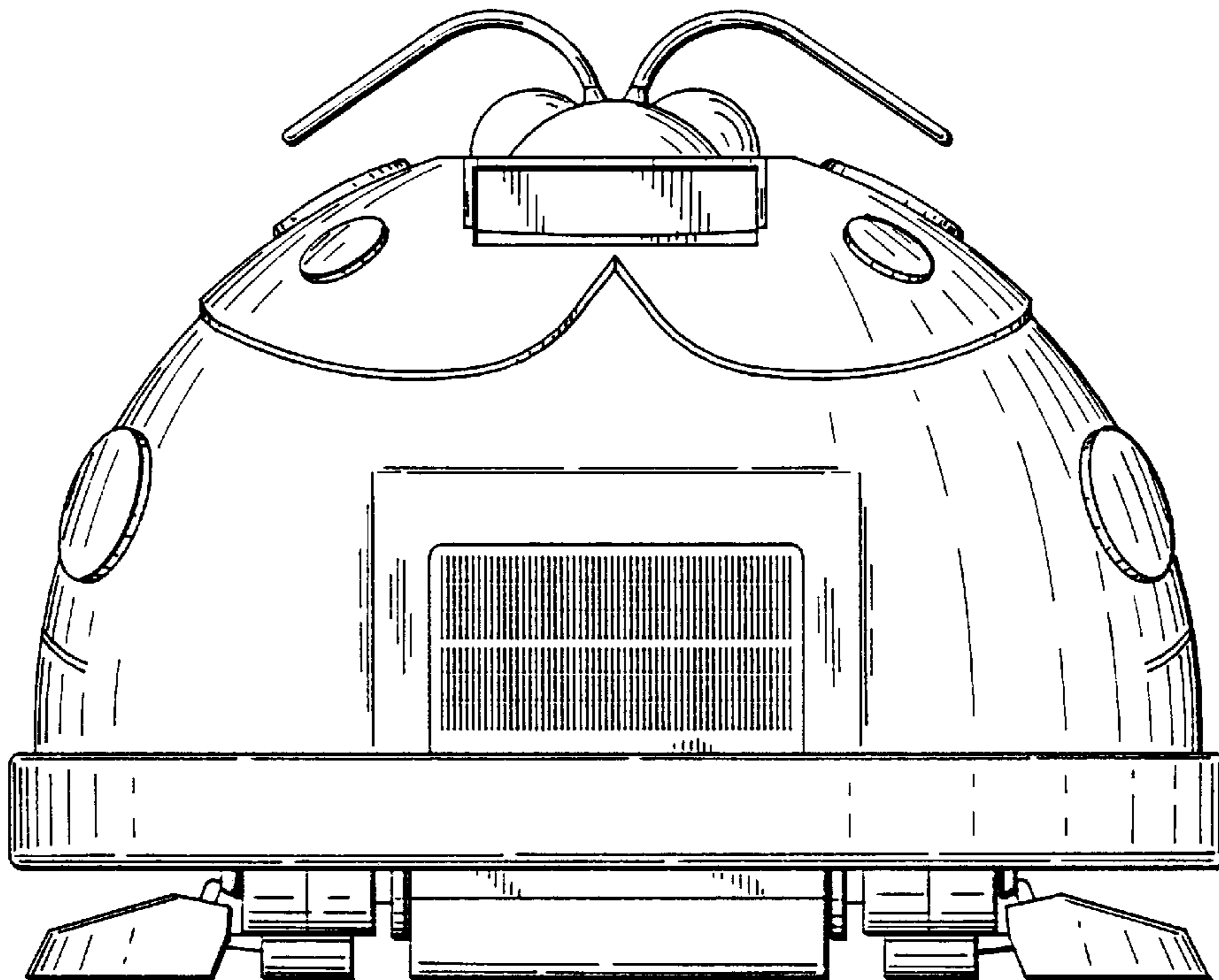


FIG. 4

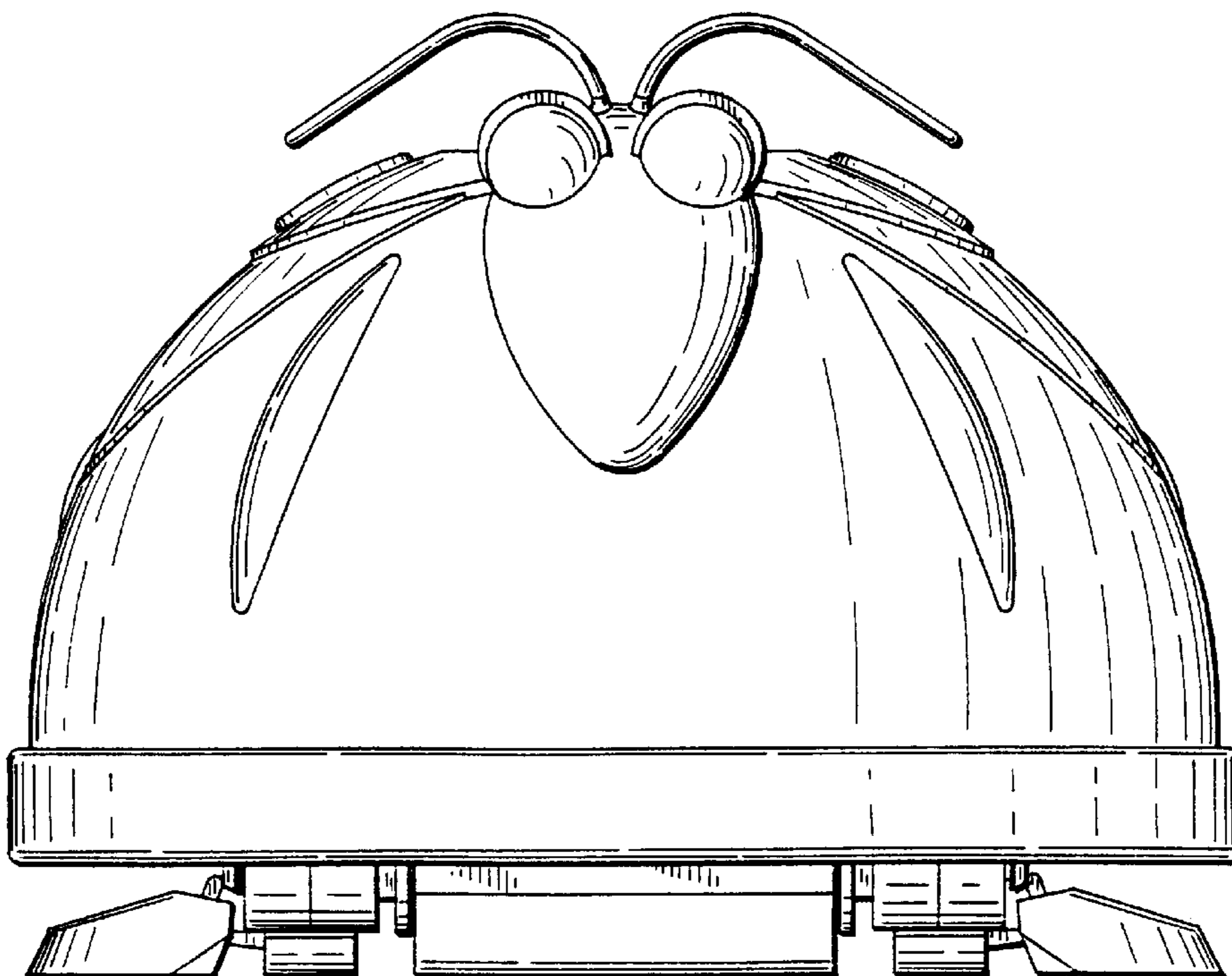


FIG. 5

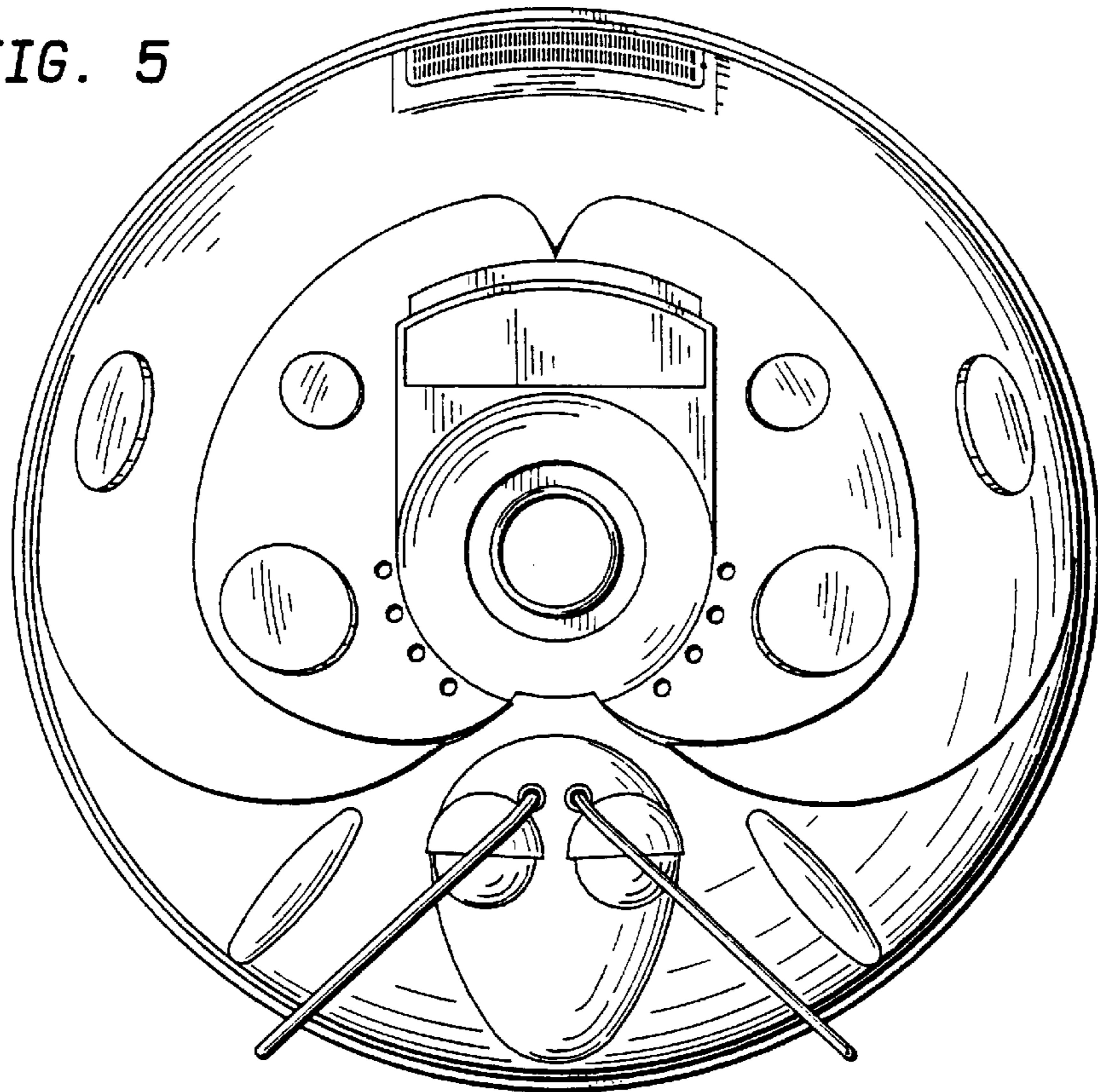


FIG. 6

