



US00D400314S

United States Patent [19]

Nicolai et al.

[11] Patent Number: **Des. 400,314**

[45] Date of Patent: ****Oct. 27, 1998**

[54] **BIRD PERCH**

[76] Inventors: **Peter Joseph Nicolai; Sally Ann Davis Hollyfield**, both of 10416 Mill Creek La., Bent Mountain, Va. 24059

[**] Term: **14 Years**

[21] Appl. No.: **70,982**

[22] Filed: **May 16, 1997**

[51] **LOC (6) Cl.** **30-02**

[52] **U.S. Cl.** **D30/119; D30/160**

[58] **Field of Search** D30/108-109, D30/117-119, 158, 160-161, 199; 119/537, 468, 51.01, 484, 28.5, 706, 482, 847, 498, 412, 168, 497, 479, 496; 108/156

[56] **References Cited**

U.S. PATENT DOCUMENTS

D. 153,272	4/1949	Forner	D30/119
D. 175,292	8/1955	Austgen	D30/160
D. 180,914	9/1957	Otis	D30/119
266,555	10/1882	Thorpe	119/468
D. 292,334	10/1987	Courteau	D30/119
1,123,044	12/1914	Warnecke	119/468
2,690,159	9/1954	Sherry	119/468
2,718,209	9/1955	Ross	D30/119
3,810,445	5/1974	Stadler	119/537
3,911,866	10/1975	Dodd	D30/160
5,010,848	4/1991	Rankin	D30/118
5,218,927	6/1993	Addams	119/537
5,391,758	2/1995	Simon	D30/108

5,413,068 5/1995 Segal 119/706
5,632,230 5/1997 Dornetta 119/537

Primary Examiner—Cathy Anne MacCormac
Attorney, Agent, or Firm—Burns, Doane, Swecker & Mathis, LLP

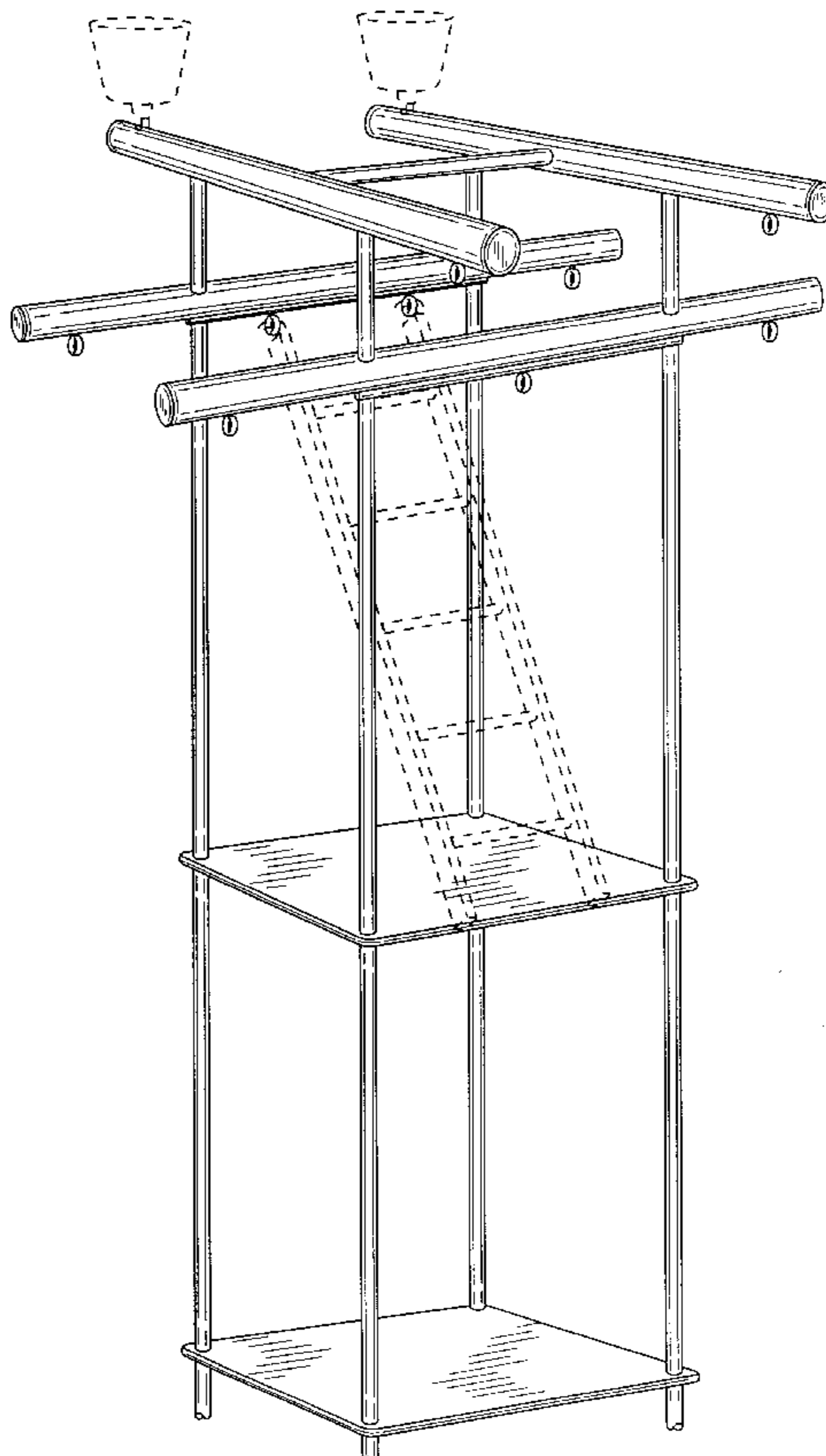
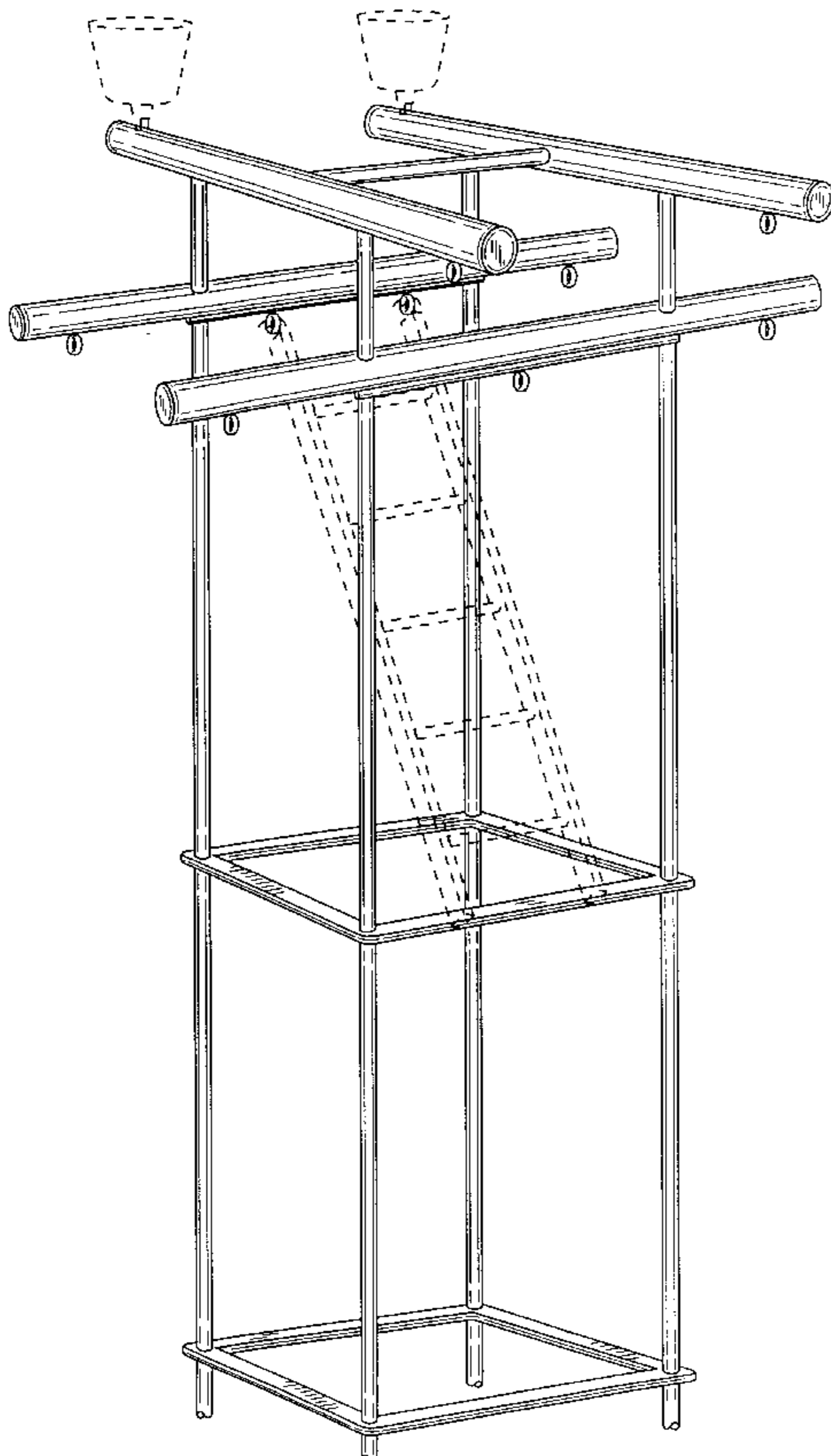
[57] **CLAIM**

The ornamental design for a bird perch, as shown and described.

DESCRIPTION

FIG. 1 is a perspective view of a bird perch showing our new design;
 FIG. 2 is a side elevational view thereof;
 FIG. 3 is a side elevational view of the other side thereof;
 FIG. 4 is a front elevational view thereof;
 FIG. 5 is rear elevational view thereof;
 FIG. 6 is a top plan view thereof;
 FIG. 7 is a bottom plan view;
 FIG. 8 is a perspective view of a second embodiment of FIG. 1;
 FIG. 9 is a side elevational view thereof;
 FIG. 10 is a side elevational view of the other side thereof;
 FIG. 11 is a front elevational view thereof;
 FIG. 12 is a rear elevational view thereof;
 FIG. 13 is a top plan view thereof; and,
 FIG. 14 is a bottom plan view thereof.
 The broken line showing of a ladder and two bowls in FIGS. 1 and 8 is for illustrative purposes only and forms no part of the claimed design.

1 Claim, 8 Drawing Sheets



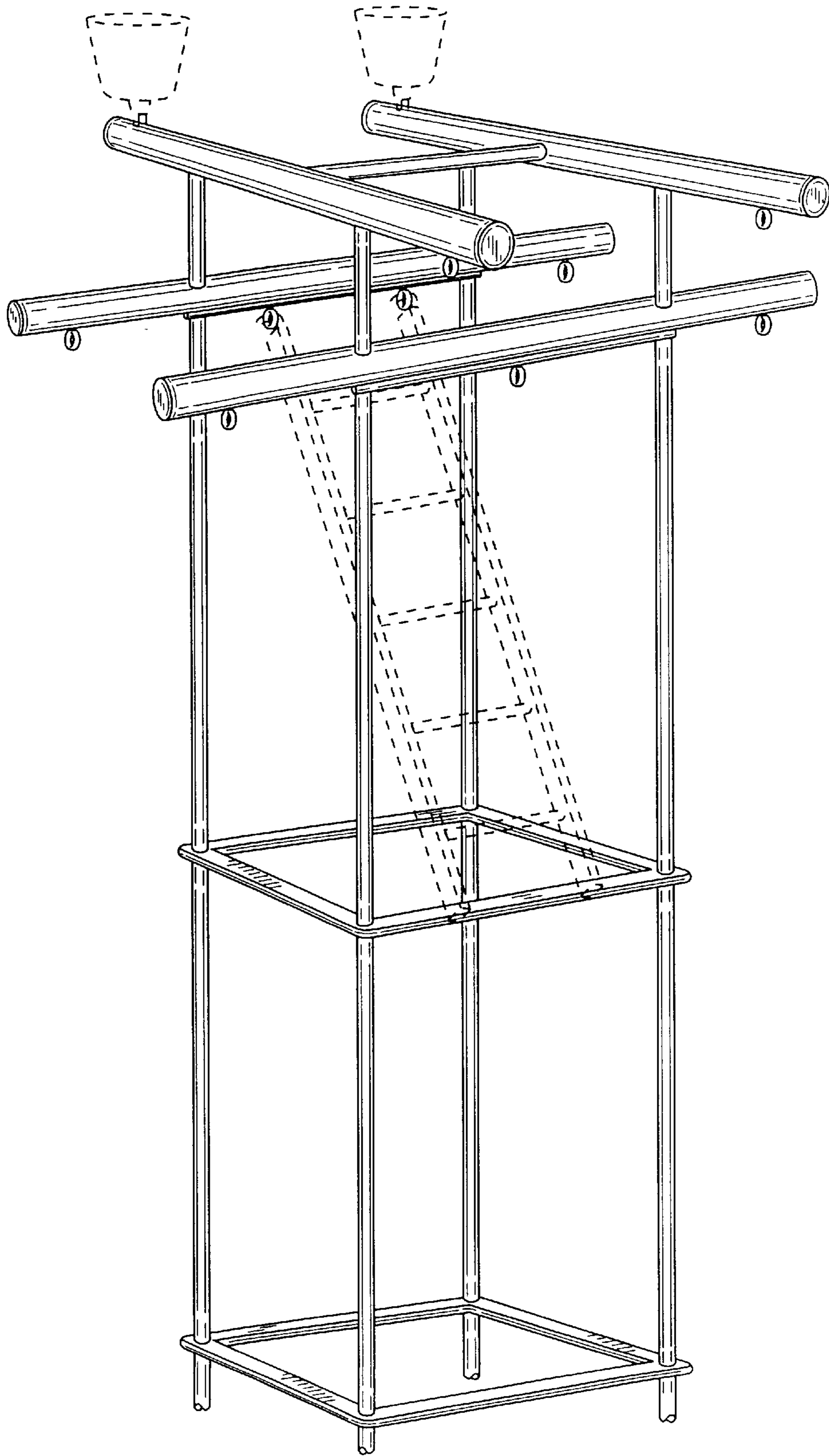


FIG. 1

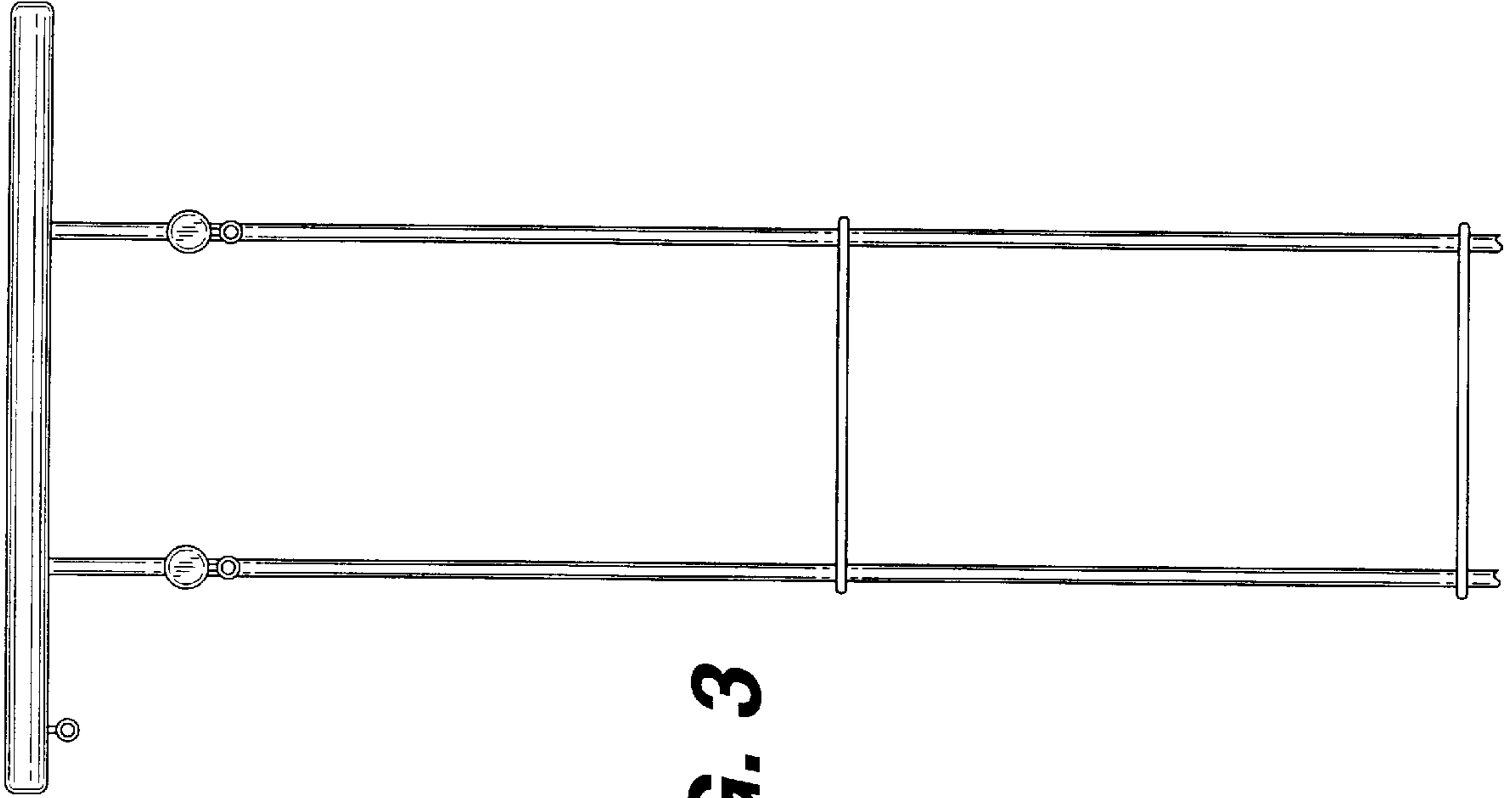


FIG. 3

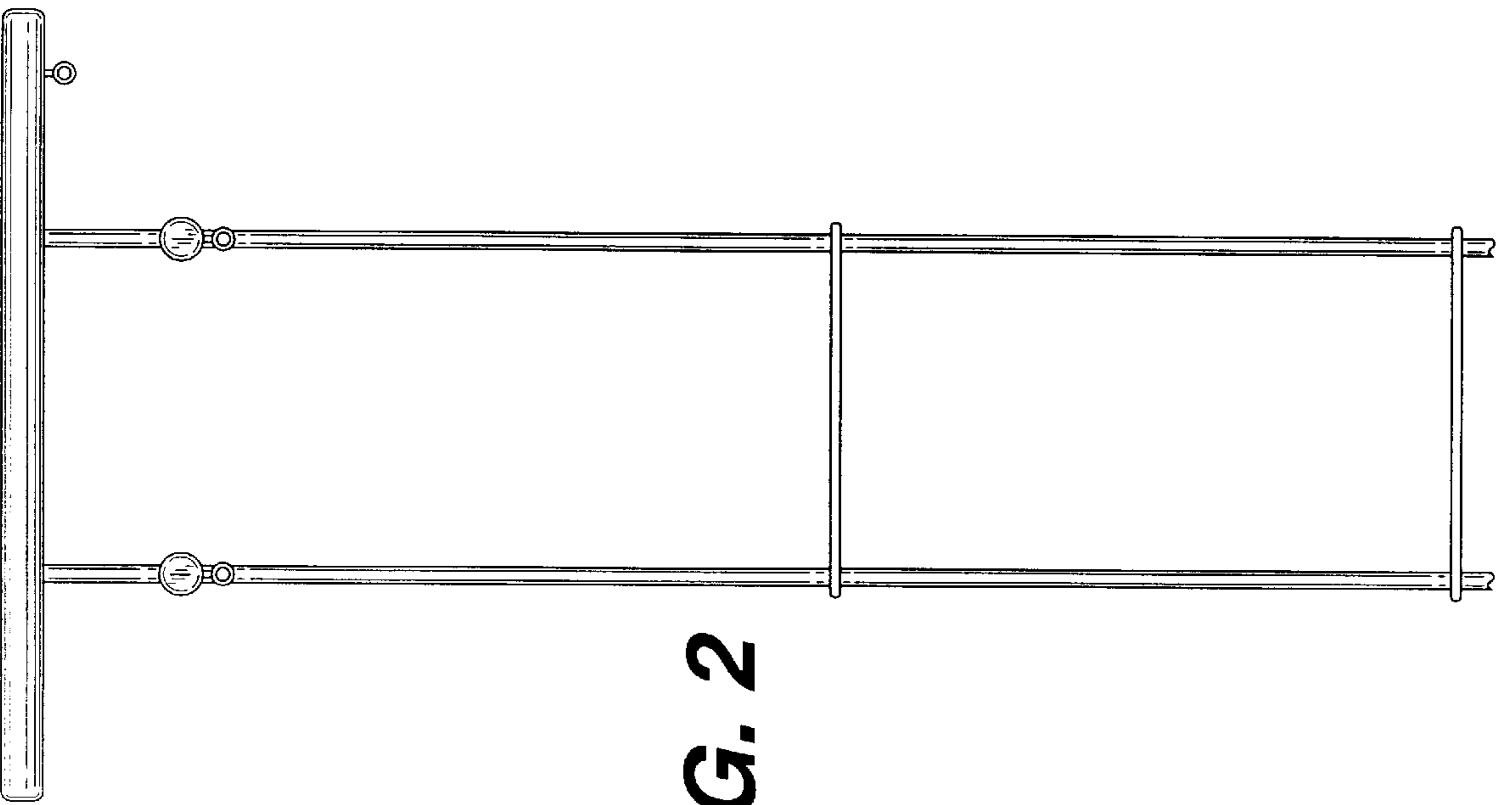


FIG. 2

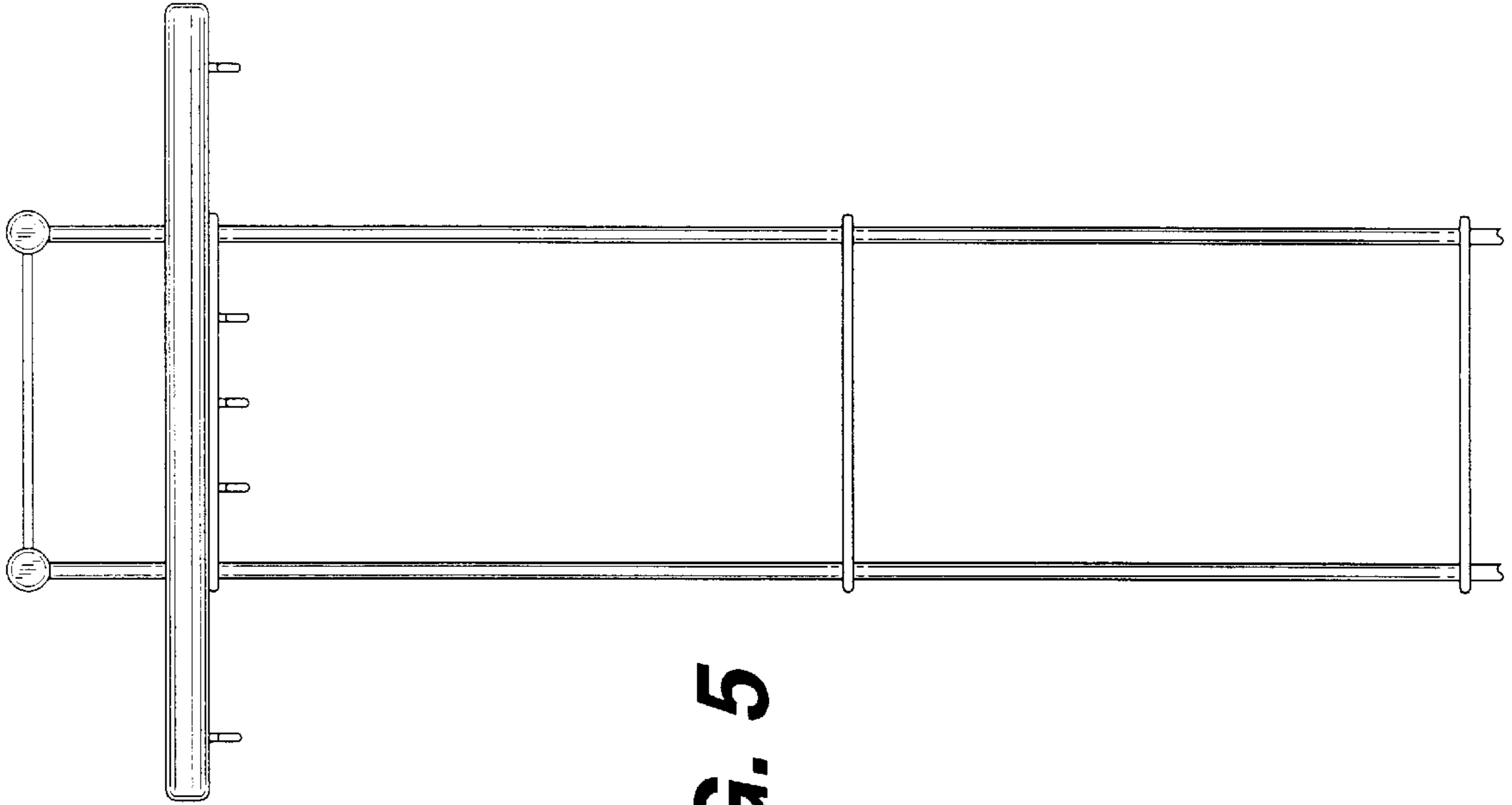


FIG. 5

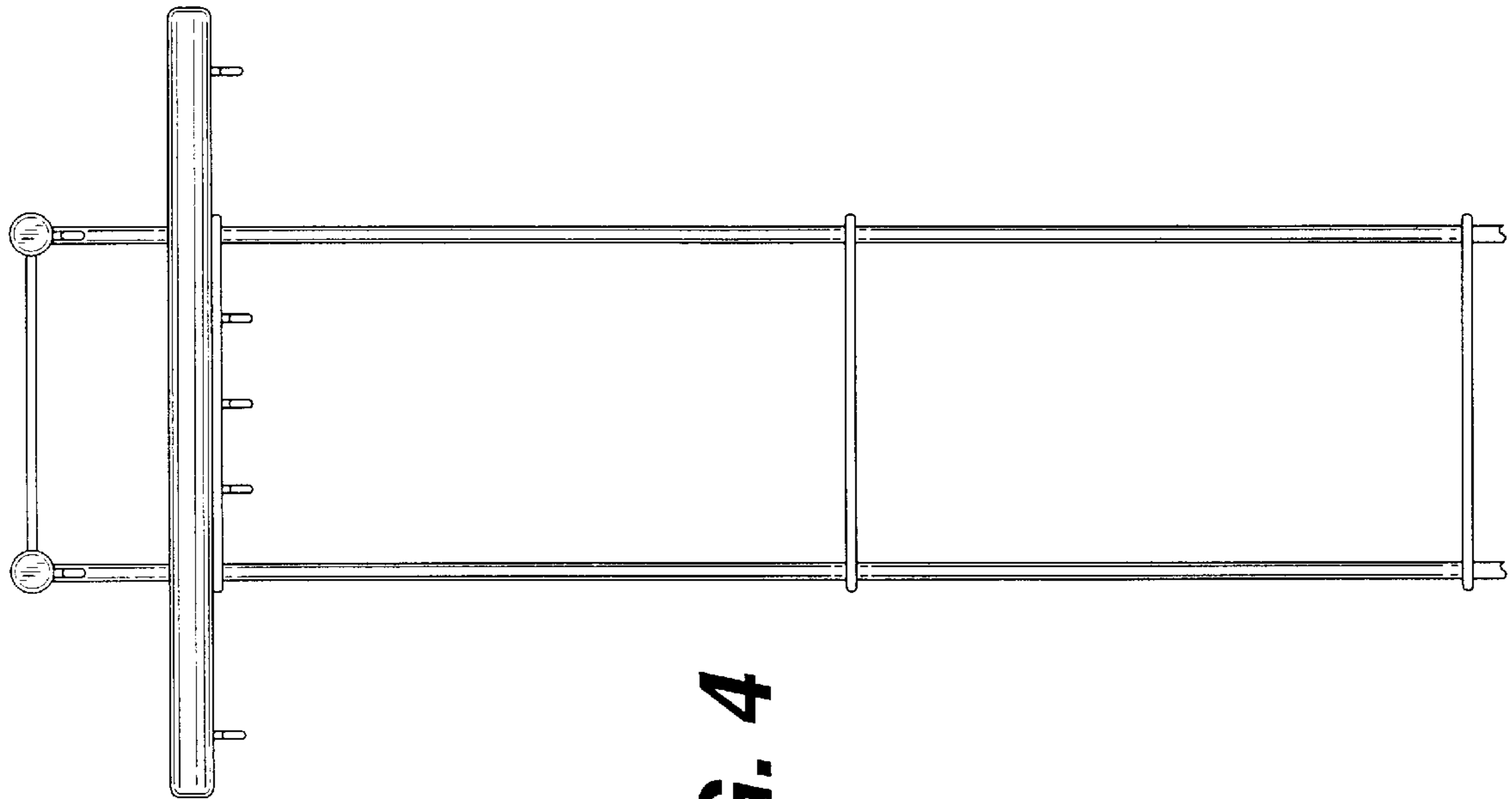


FIG. 4

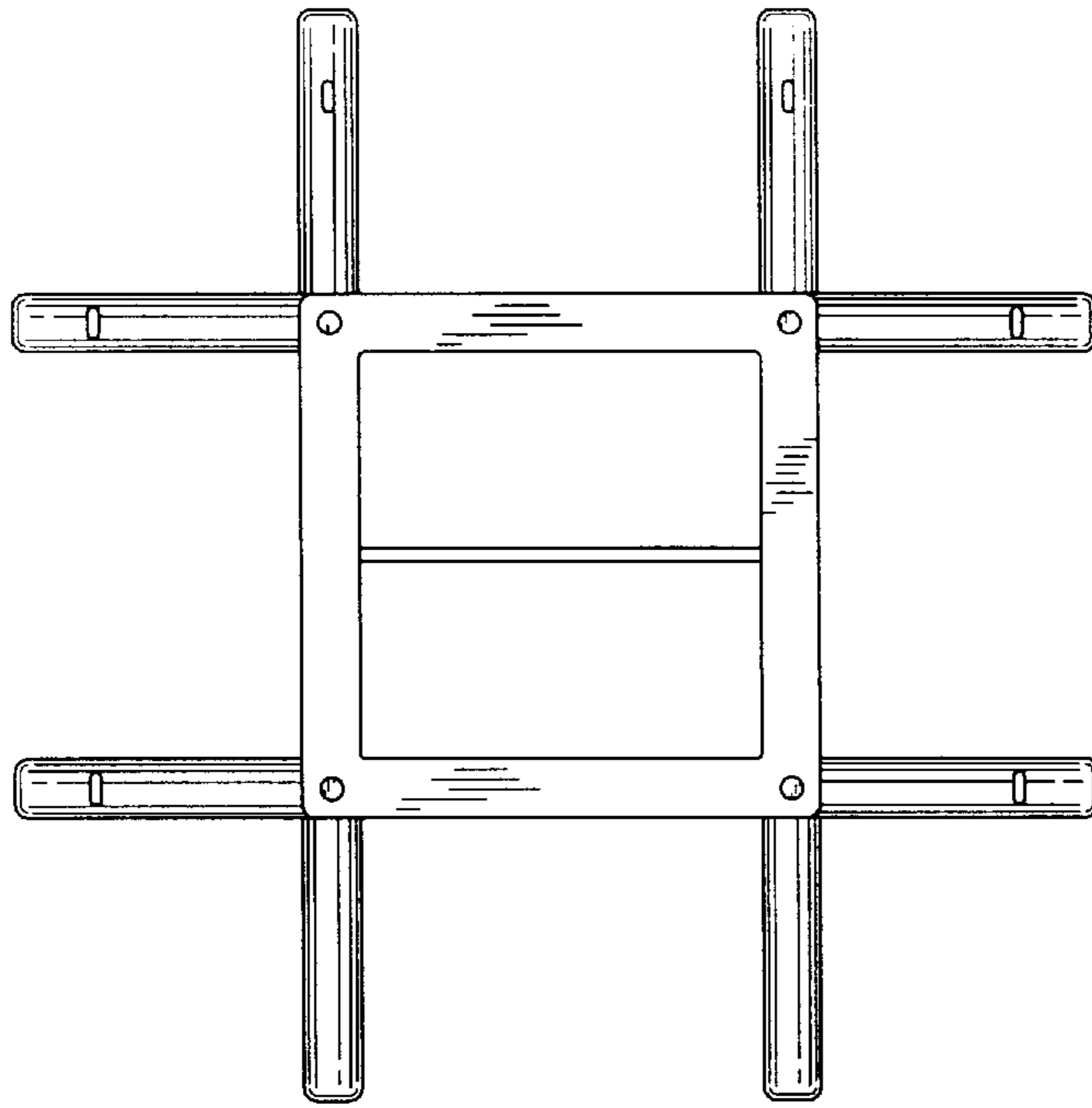


FIG. 7

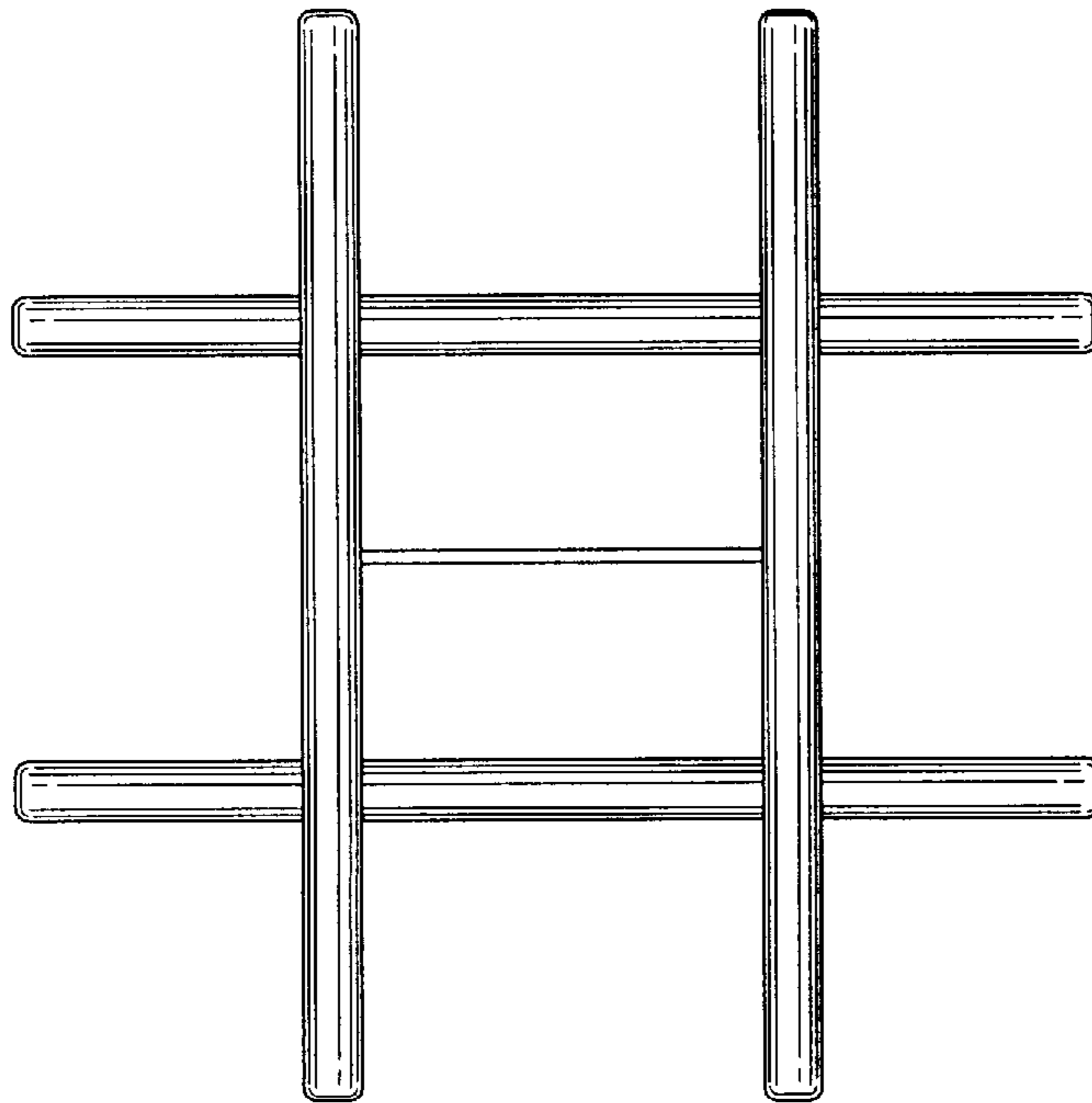


FIG. 6

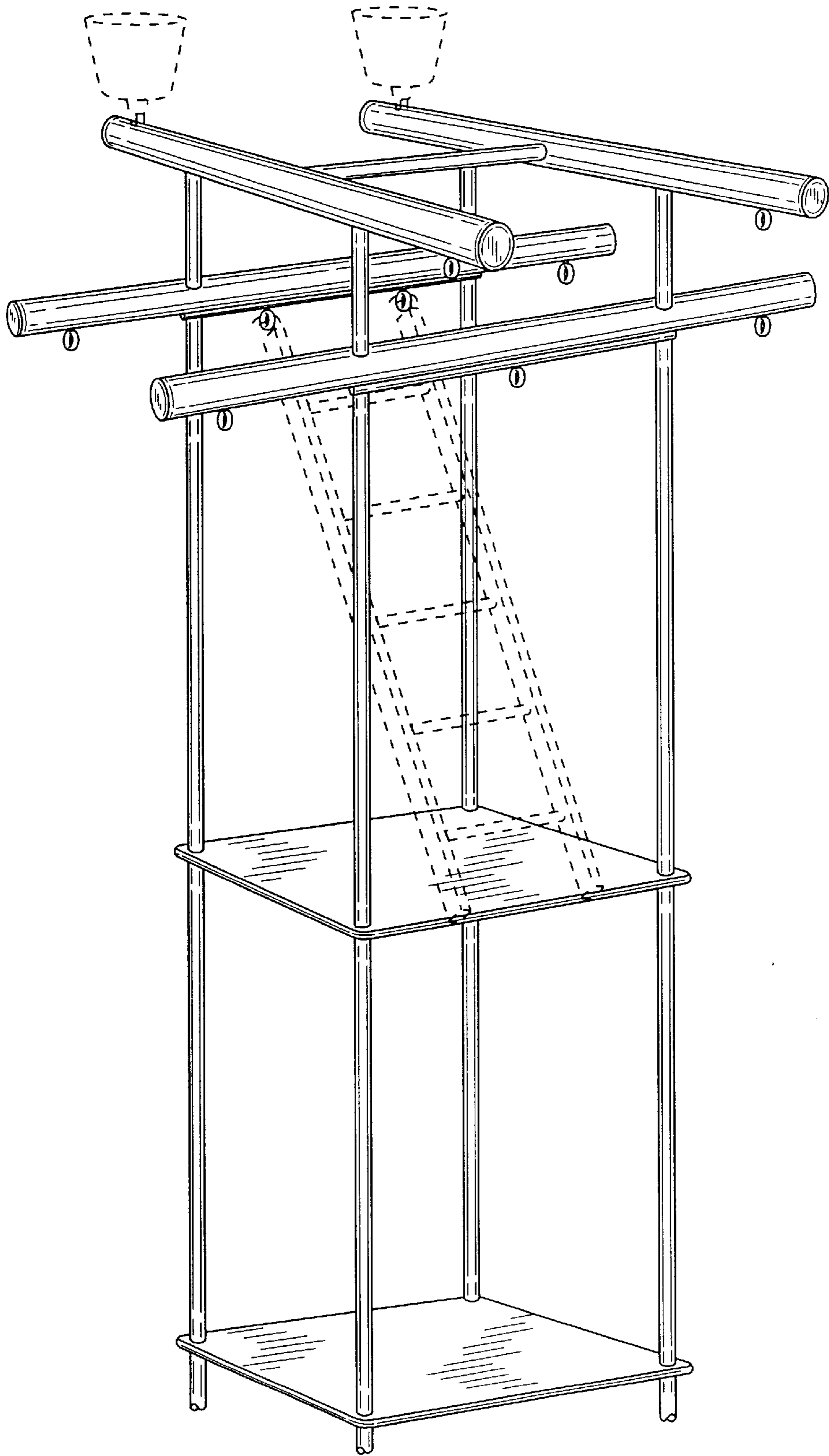


FIG. 8

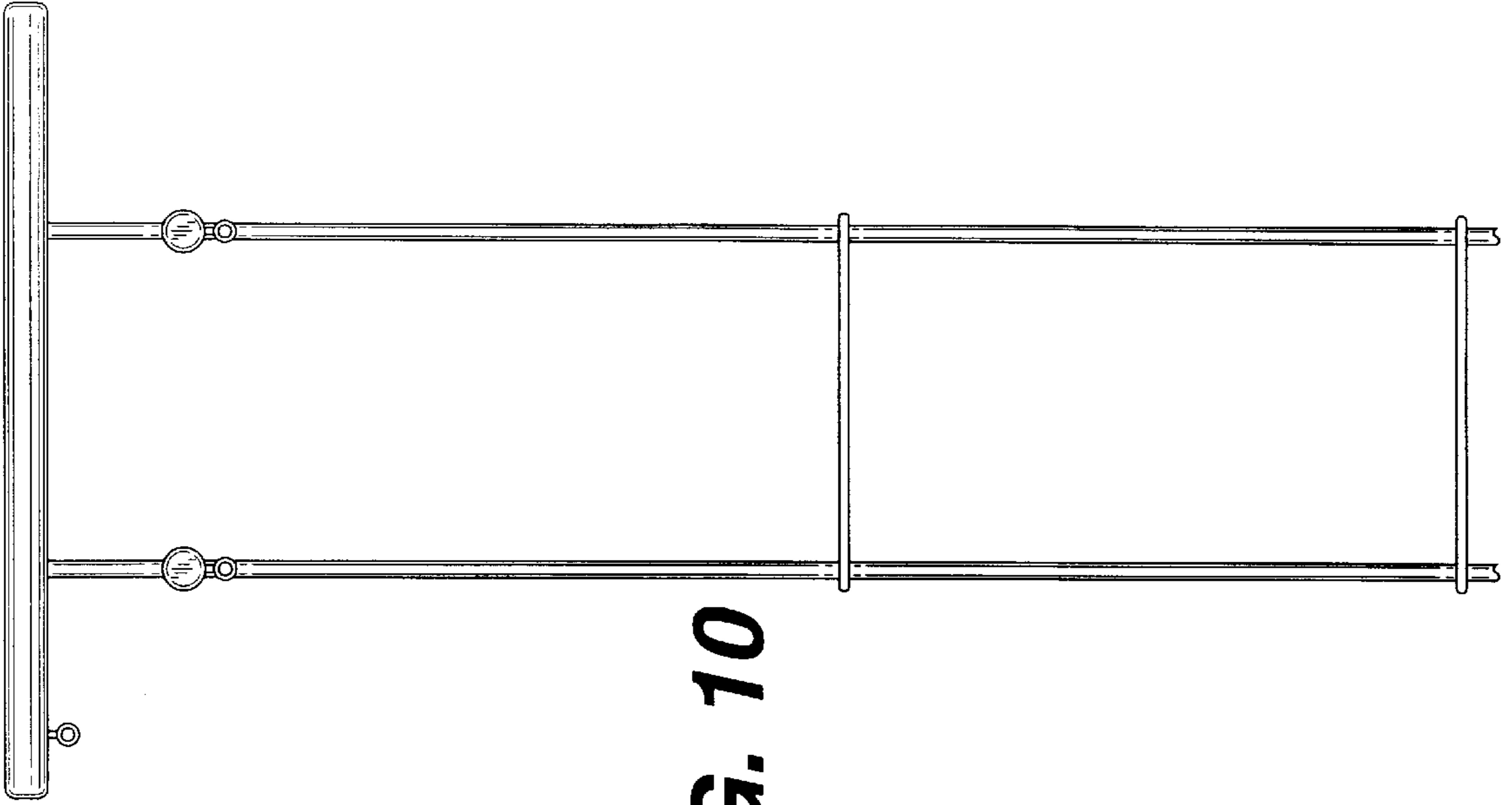


FIG. 10

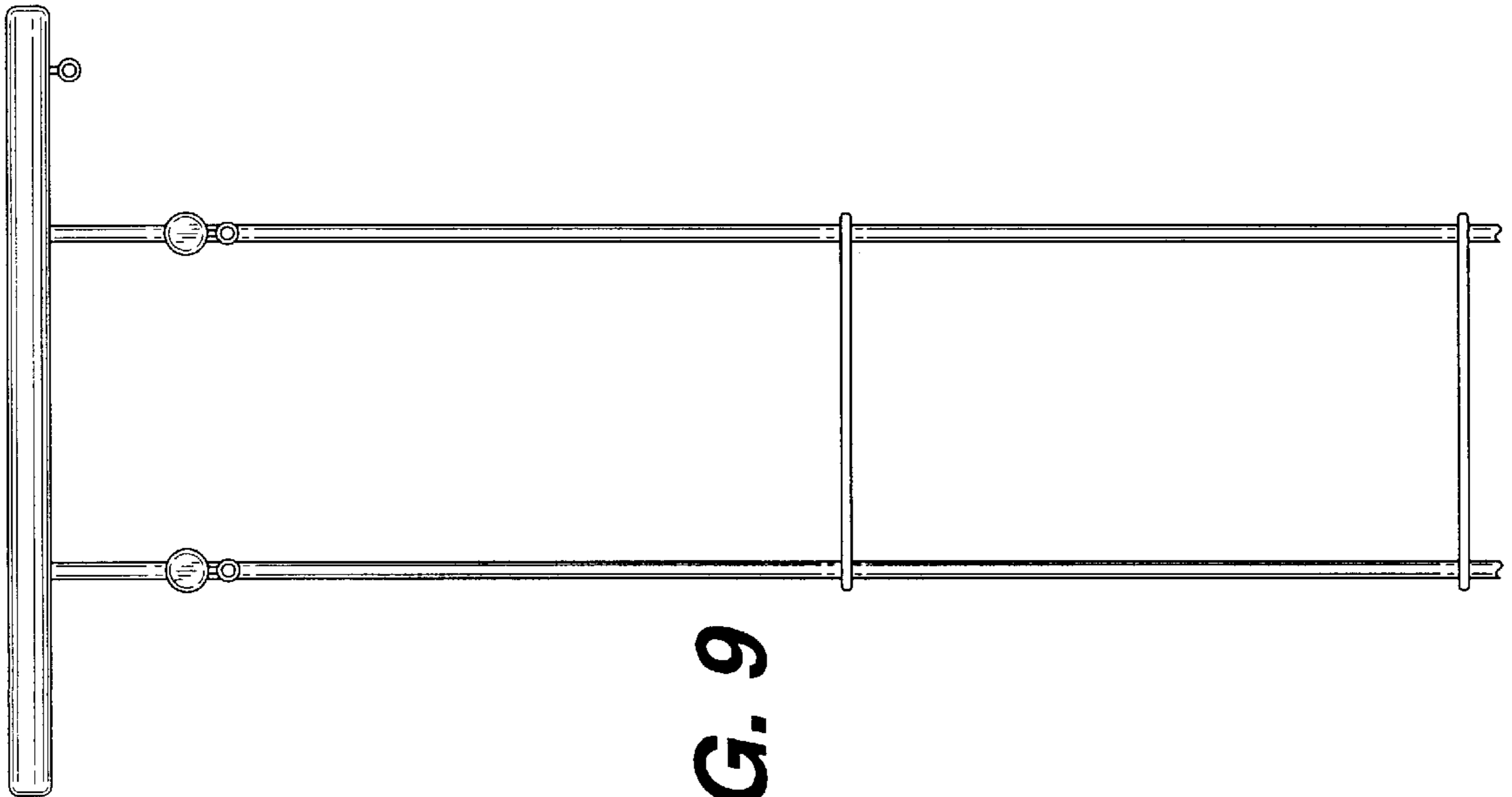


FIG. 9

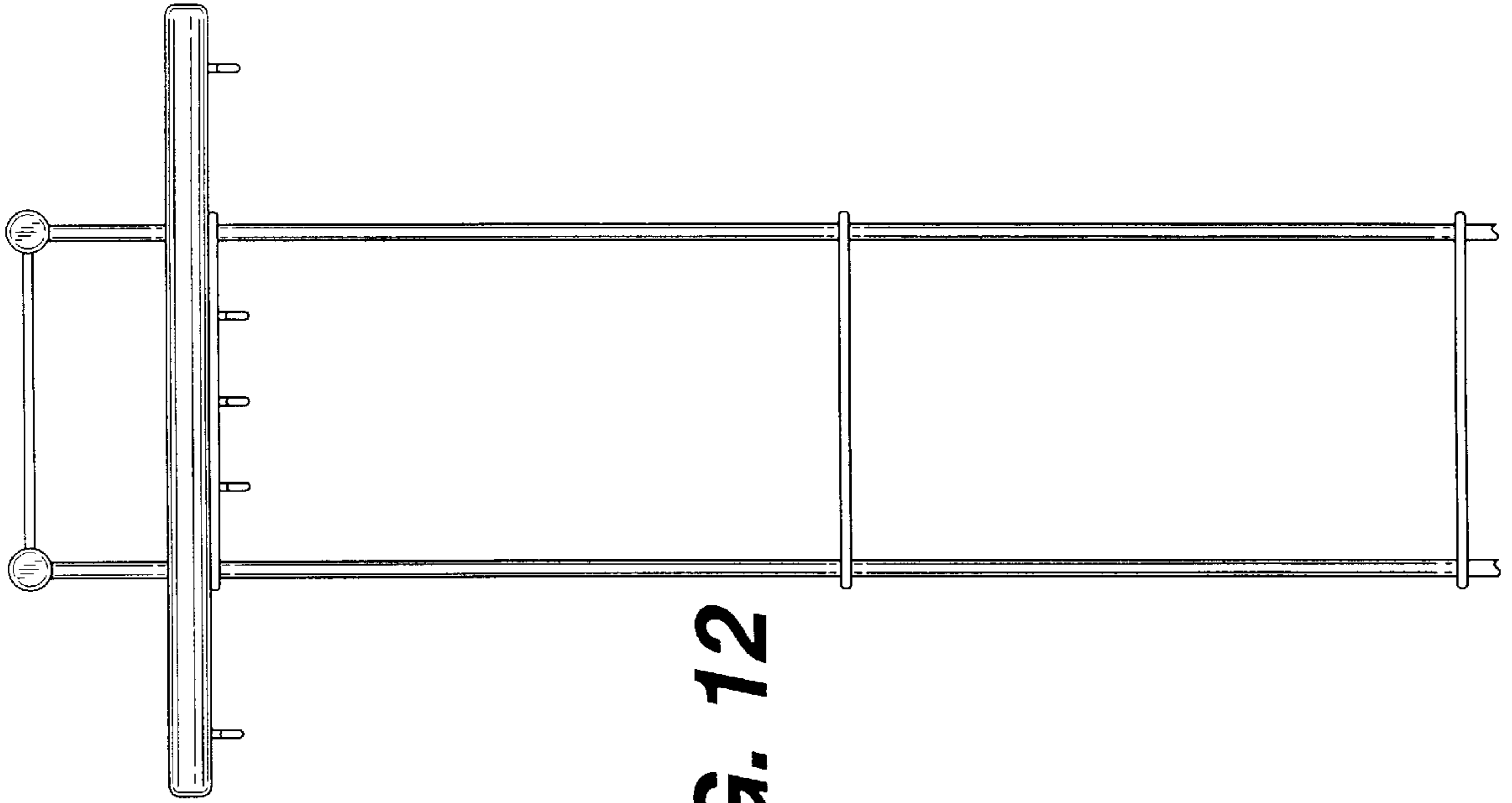


FIG. 12

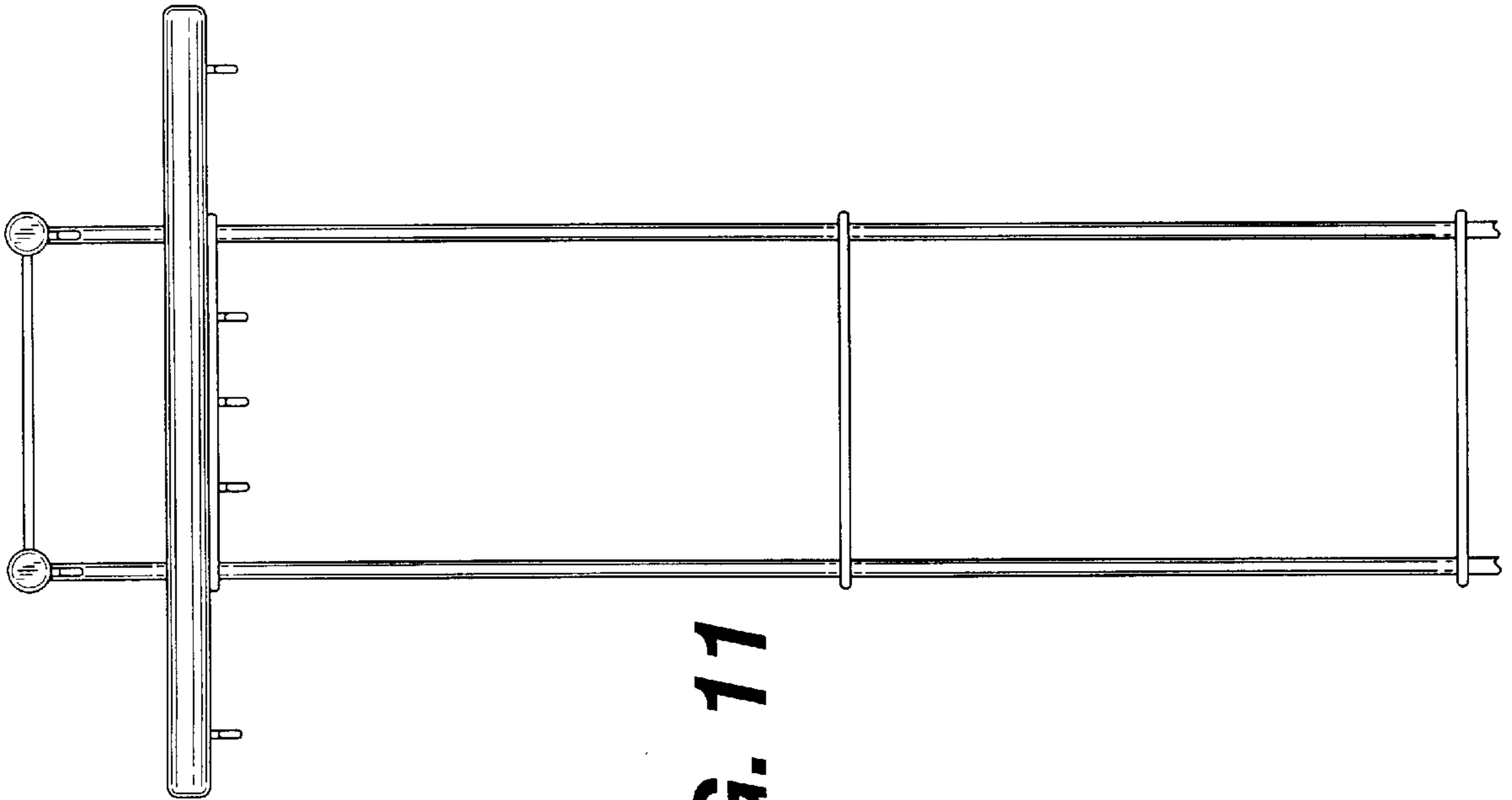


FIG. 11

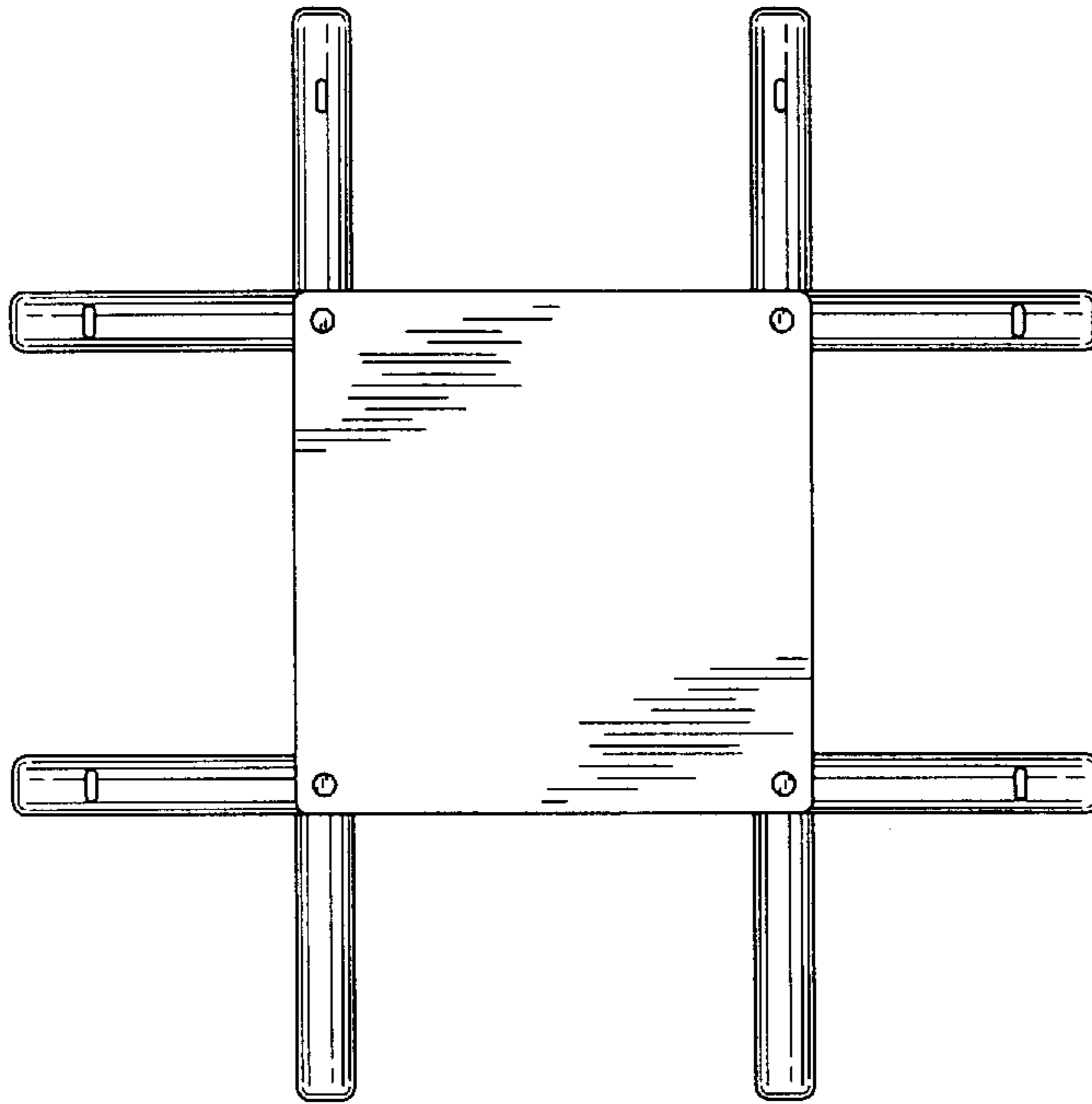


FIG. 14

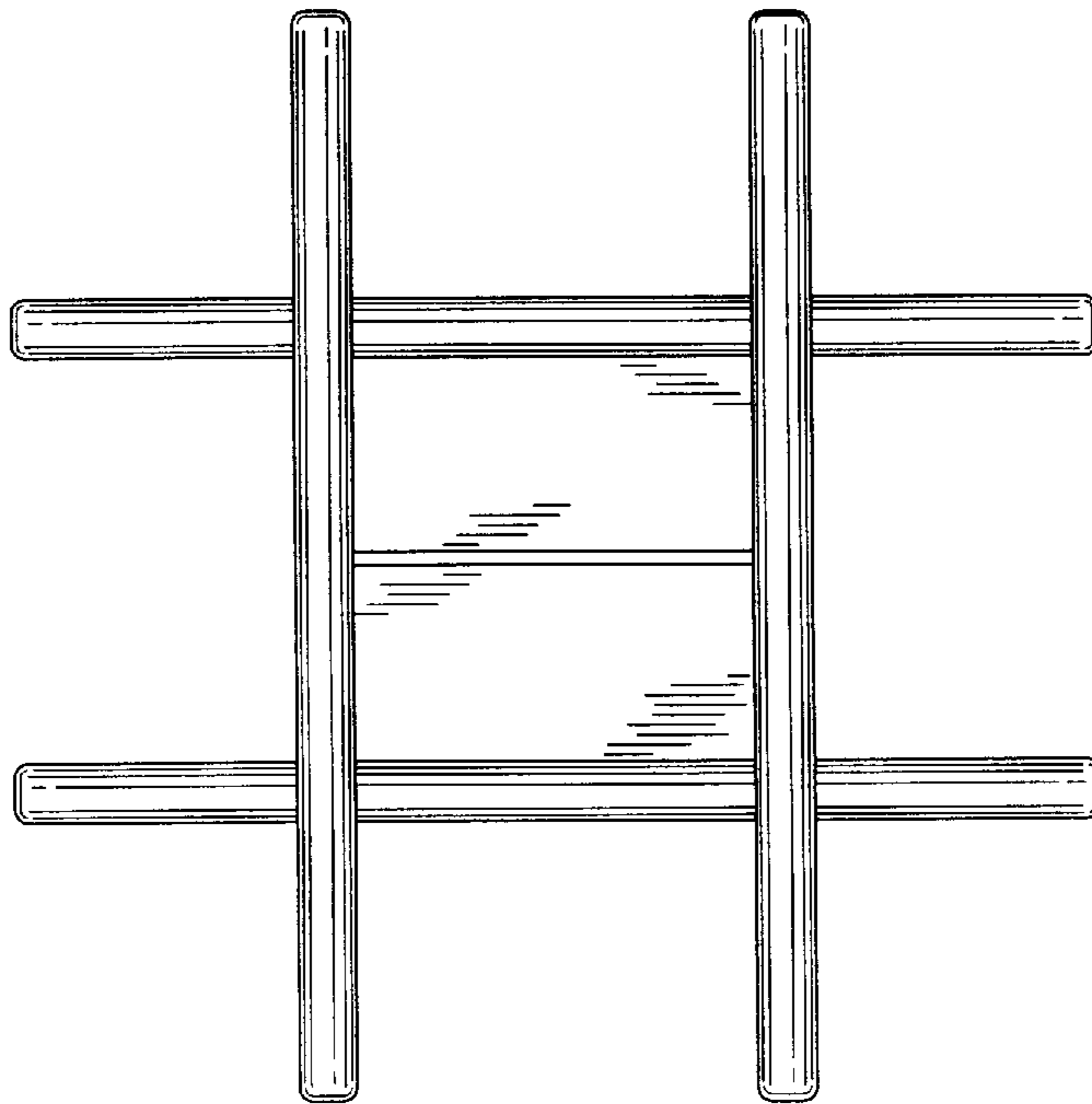


FIG. 13