



US00D400305S

United States Patent [19] Stankovic

[11] **Patent Number: Des. 400,305**

[45] **Date of Patent: **Oct. 27, 1998**

[54] **NAIL FILING GUIDE**

[75] Inventor: **Bill Stankovic**, 526 Bryant St., Palo Alto, Calif. 94301

[73] Assignee: **Bill Stankovic**, Palo Alto, Calif.

[**] Term: **14 Years**

[21] Appl. No.: **74,133**

[22] Filed: **Jul. 25, 1997**

[51] **LOC (6) Cl. 28-03**

[52] **U.S. Cl. D28/57**

[58] **Field of Search D28/56, 57, 59, D28/61; 132/73, 73.5, 75.3, 75.6, 76.4, 76.5, 285**

3,972,325 8/1976 Bluestone 132/73 X
 4,287,899 9/1981 Robichaud 132/73
 4,682,612 7/1987 Giuliano 132/73
 4,757,571 7/1988 Young 132/76.4 X
 5,613,507 3/1997 Geer et al. 132/285

Primary Examiner—Ted Shooman
Assistant Examiner—C. Tuttle
Attorney, Agent, or Firm—Townsend and Townsend and Crew LLP; Kenneth R. Allen

[57] **CLAIM**

The ornamental design for a nail filing guide, as shown and described.

DESCRIPTION

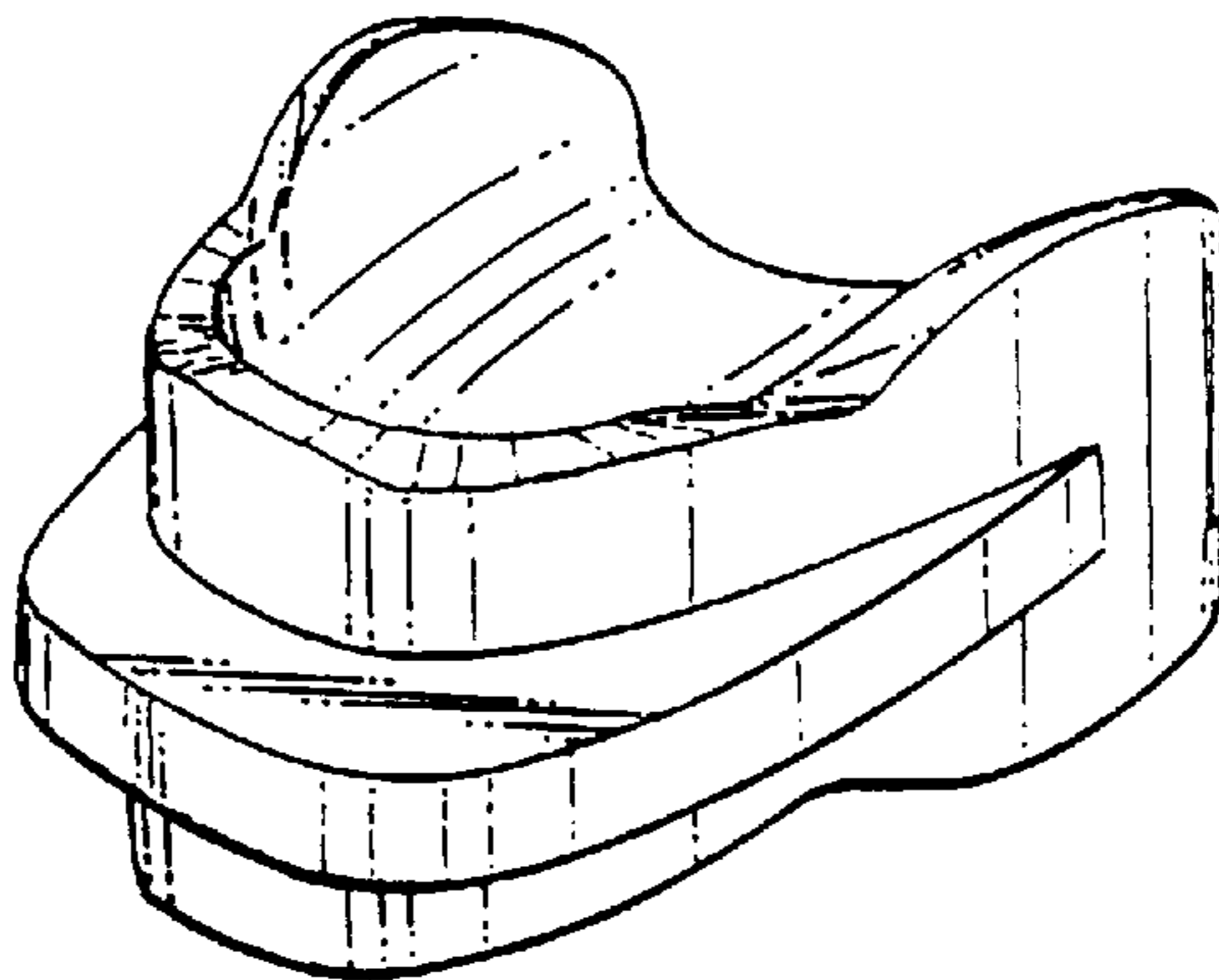
FIG. 1 is a perspective view of a nail filing guide showing my new design;
 FIG. 2 is a top plan view thereof;
 FIG. 3 is a front elevational view thereof;
 FIG. 4 is a right side elevational view, the left side elevational view being a mirror image;
 FIG. 5 is a rear elevational view thereof; and,
 FIG. 6 is a bottom plan view thereof.

[56] **References Cited**

U.S. PATENT DOCUMENTS

D. 87,660 8/1932 Brekke D28/61
 D. 153,815 5/1949 McKee D28/61
 161,112 3/1875 Fogerty 1321/73.5
 D. 178,724 9/1956 Fink D28/56
 2,566,852 9/1951 Platt 132/73
 2,569,381 9/1951 Justus 132/73 X

1 Claim, 1 Drawing Sheet



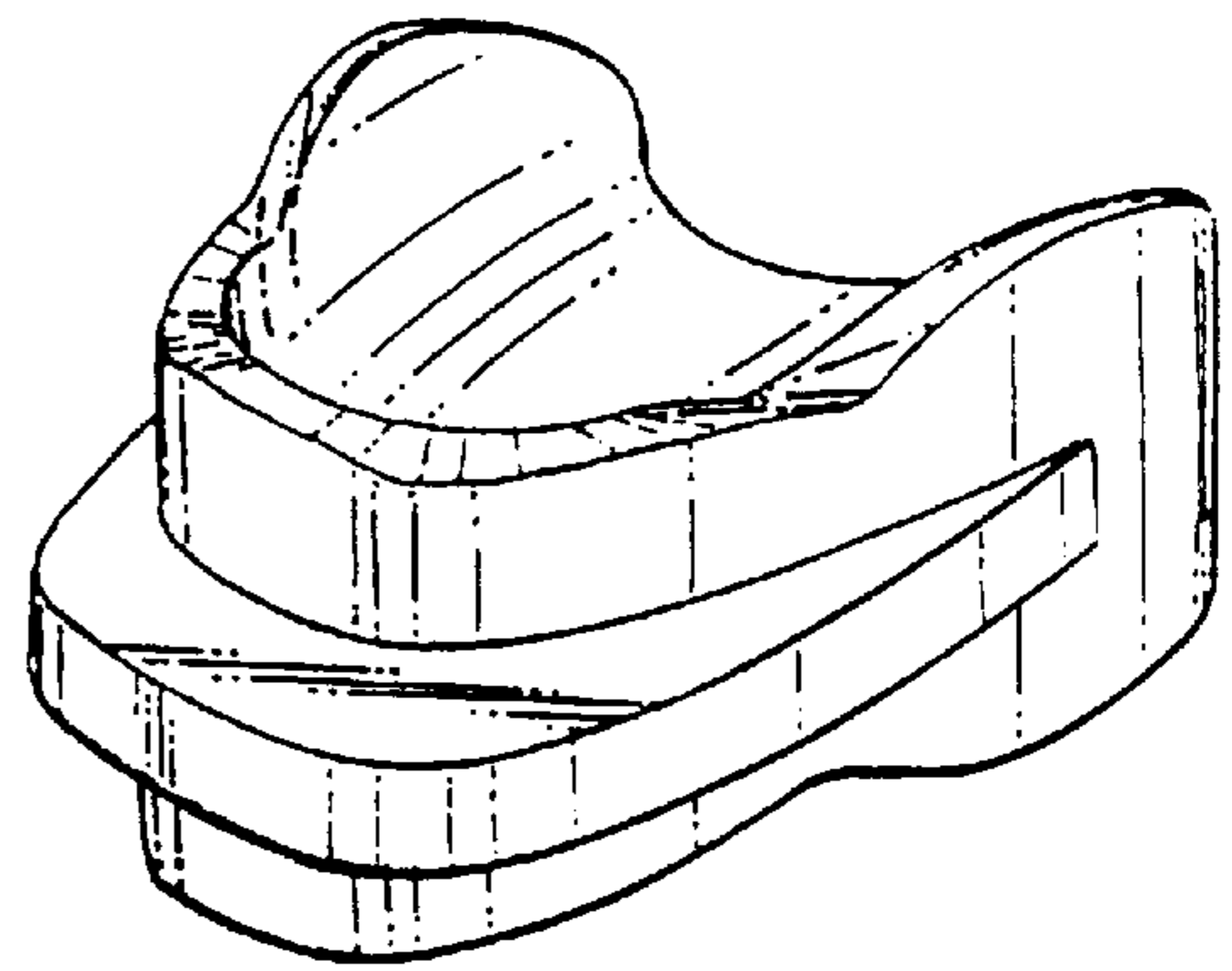


FIG. 1.

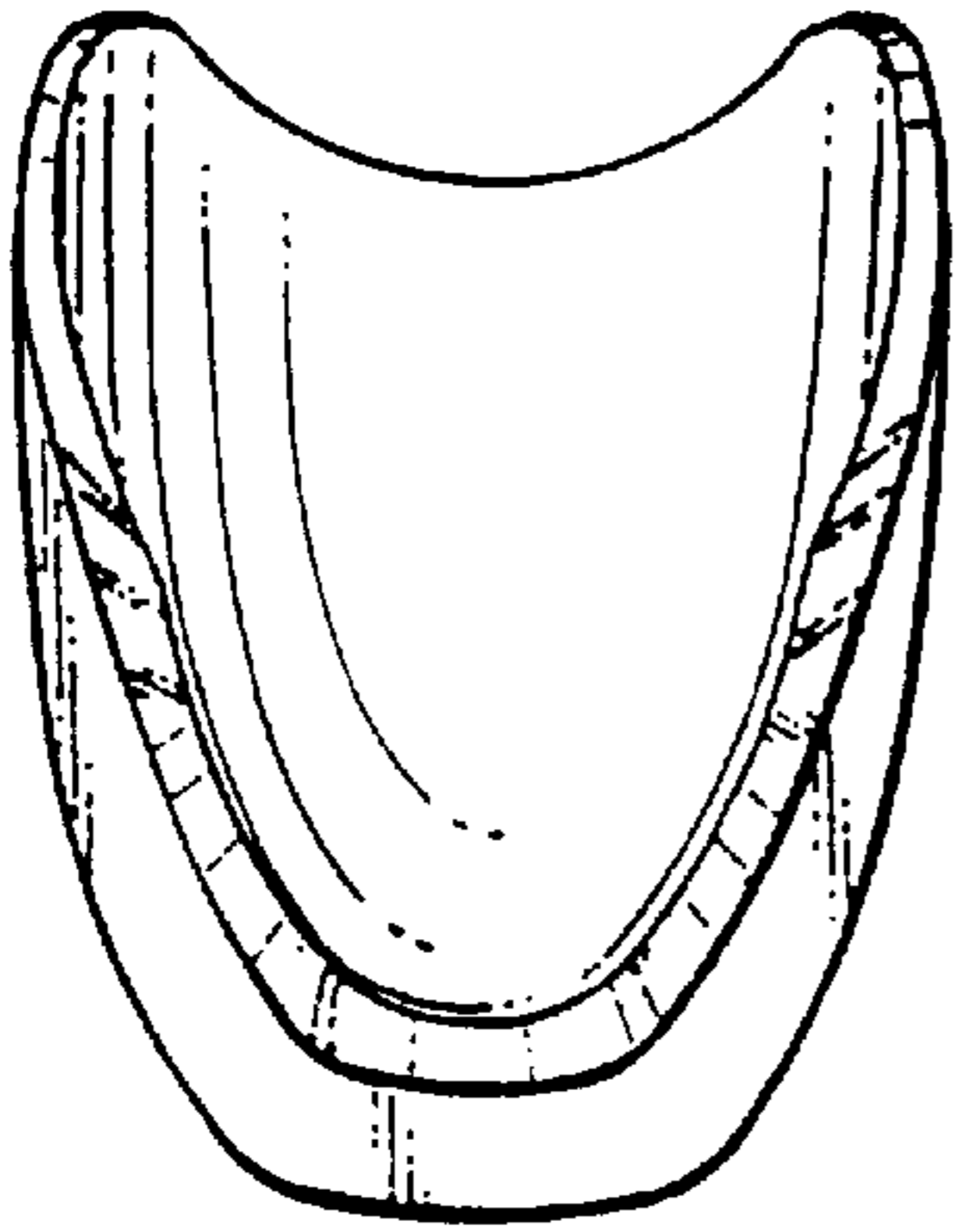


FIG. 2.

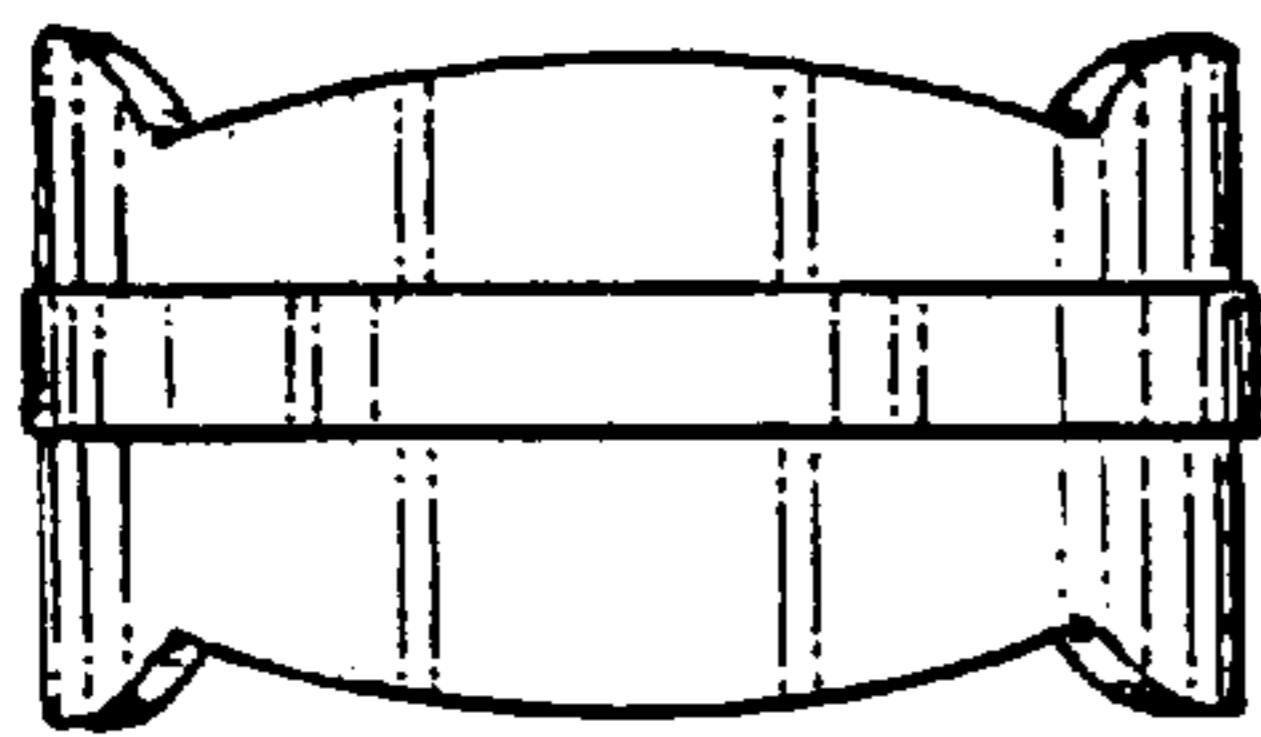


FIG. 3.

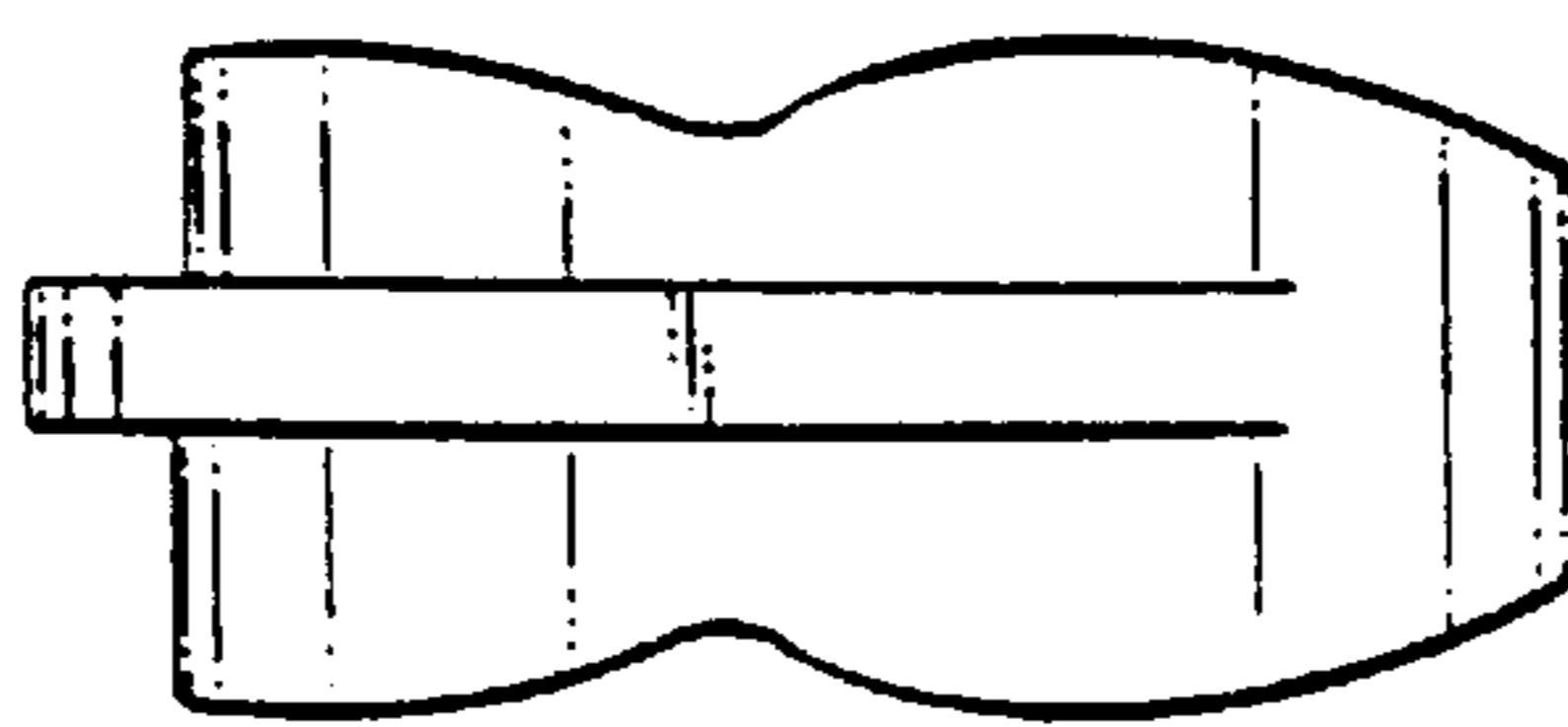


FIG. 4.

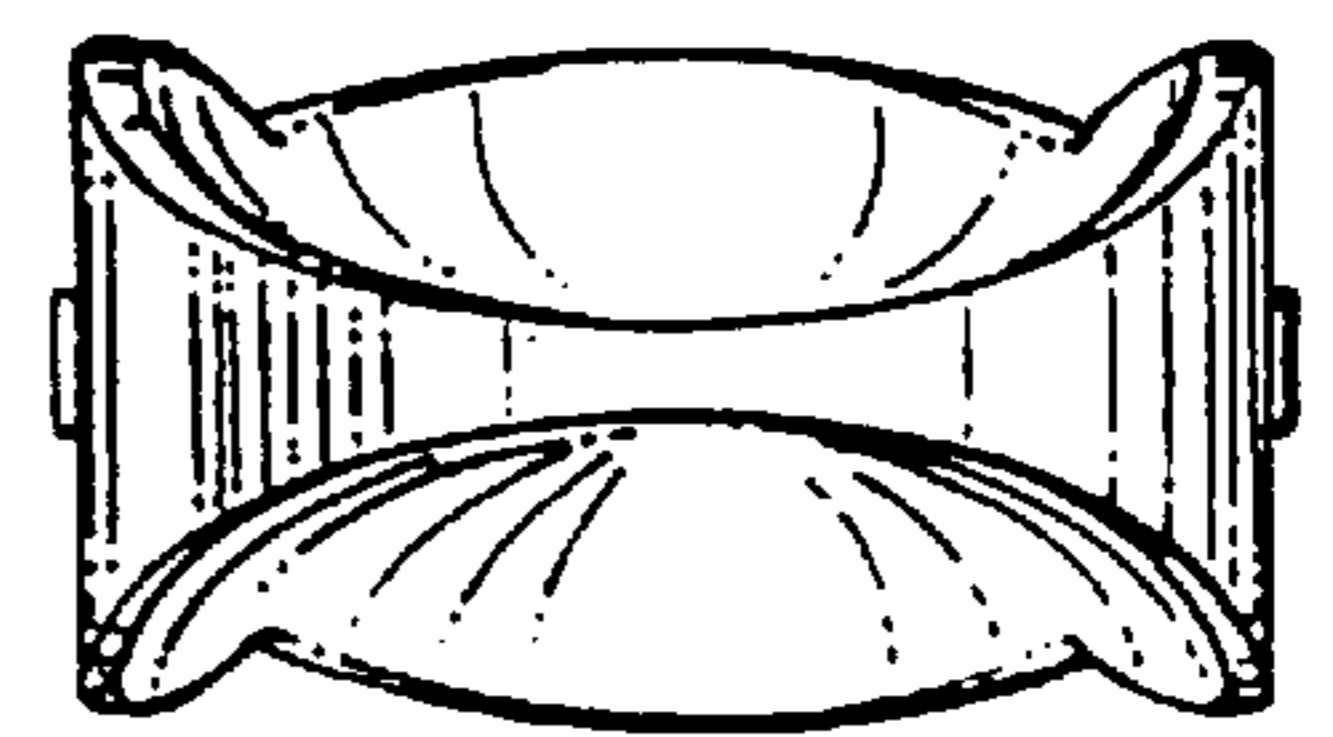


FIG. 5.

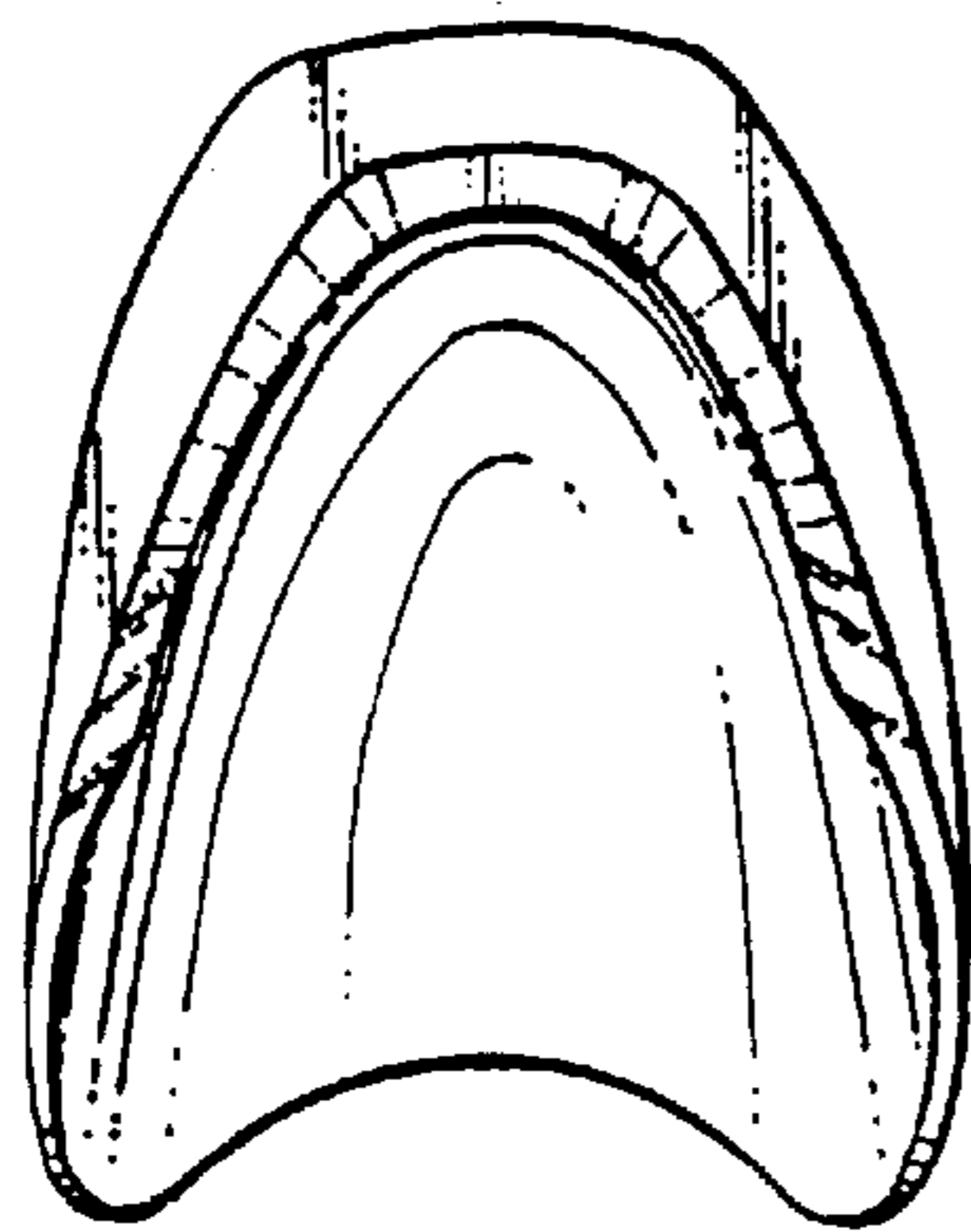


FIG. 6.