



US00D400298S

United States Patent [19] Vignerot

[11] **Patent Number: Des. 400,298**

[45] **Date of Patent: **Oct. 27, 1998**

[54] **CIGAR HOLDER**

[76] Inventor: **Eugene Vignerot**, 3719 S. Glencoe St.,
Denver, Colo. 80237-1022

[**] Term: **14 Years**

[21] Appl. No.: **69,346**

[22] Filed: **Apr. 4, 1997**

[51] **LOC (6) Cl. 27-06**

[52] **U.S. Cl. D27/183**

[58] **Field of Search** D27/183, 194,
D27/193, 172, 176; D8/394, 395, 367,
373; D3/221; 24/489, 511, 495, 499

[56] **References Cited**

U.S. PATENT DOCUMENTS

D. 105,527	8/1937	Holder	D27/183
D. 209,702	12/1967	Hanrahan	D8/395
D. 241,118	8/1976	Schreyer	D8/367
D. 283,673	5/1986	Berg	D8/367
5,052,086	10/1991	Nasuno	24/511

Primary Examiner—Susan J. Lucas
Assistant Examiner—Jennifer Rivard

[57] **CLAIM**

The ornamental design for a cigar holder, as shown and described.

DESCRIPTION

FIG. 1 is a prospective view showing my cigar holder in an open position;

FIG. 2 is a perspective view showing my cigar holder in a closed position;

FIG. 3 is a bottom view of FIG. 2;

FIG. 4 is a top view of FIG. 2;

FIG. 5 is a left side view of FIG. 2;

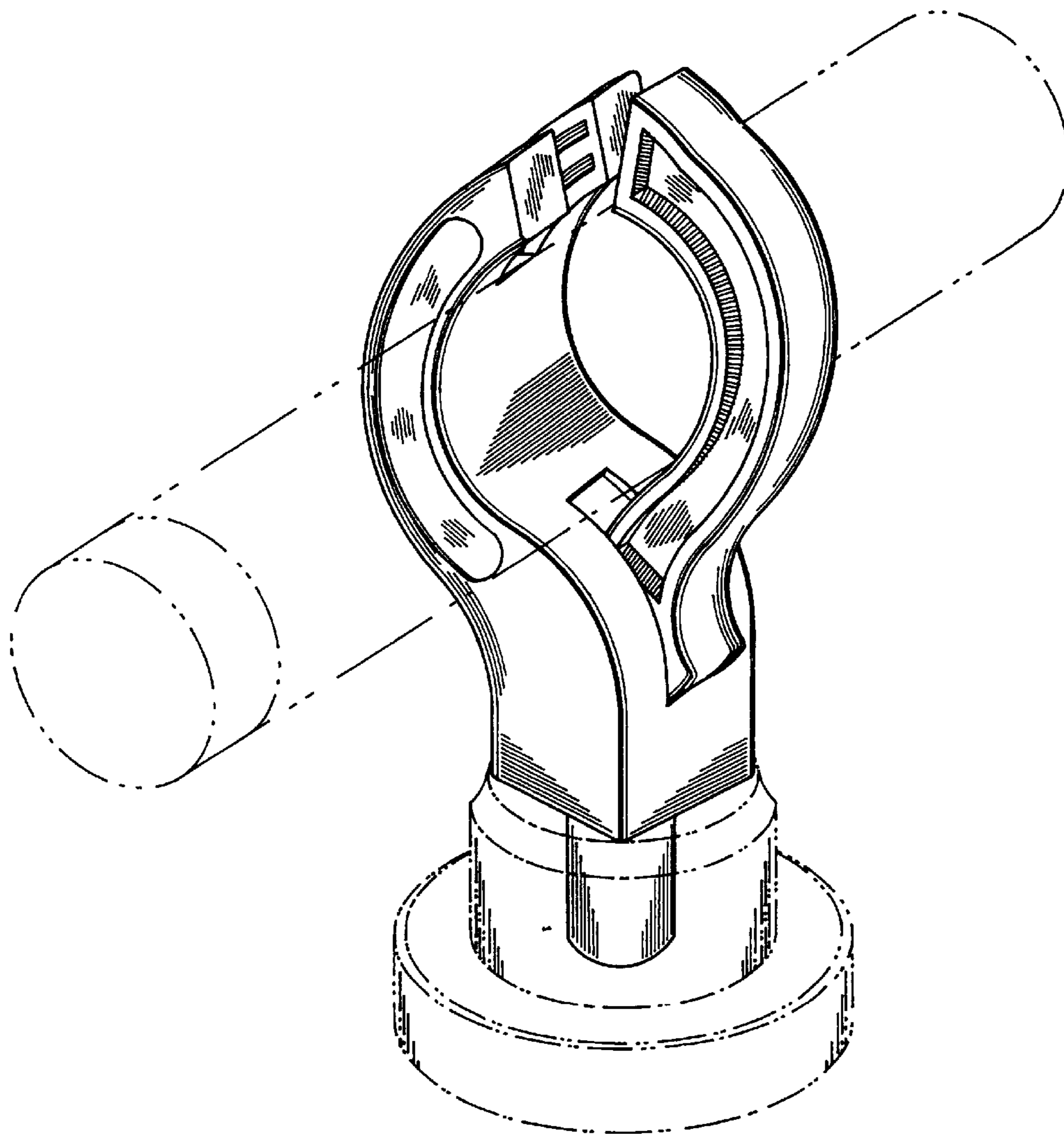
FIG. 6 is a front view of FIG. 2;

FIG. 7 is a right side view of FIG. 2; and,

FIG. 8 is a back view of FIG. 2.

The broken line illustration in the drawing disclosure is not part of the design sought to be patented.

1 Claim, 3 Drawing Sheets



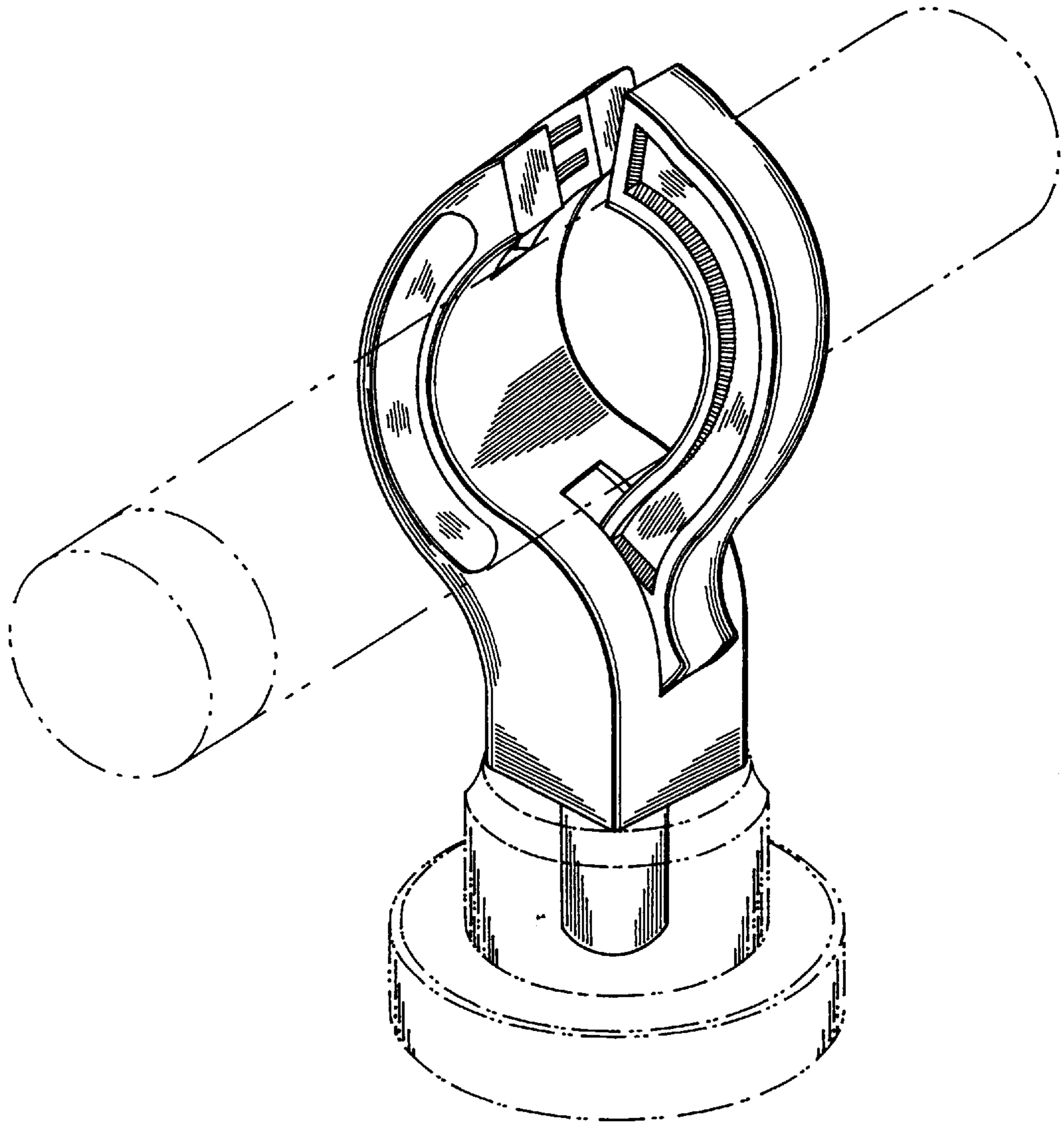


Fig. 1

Fig. 2

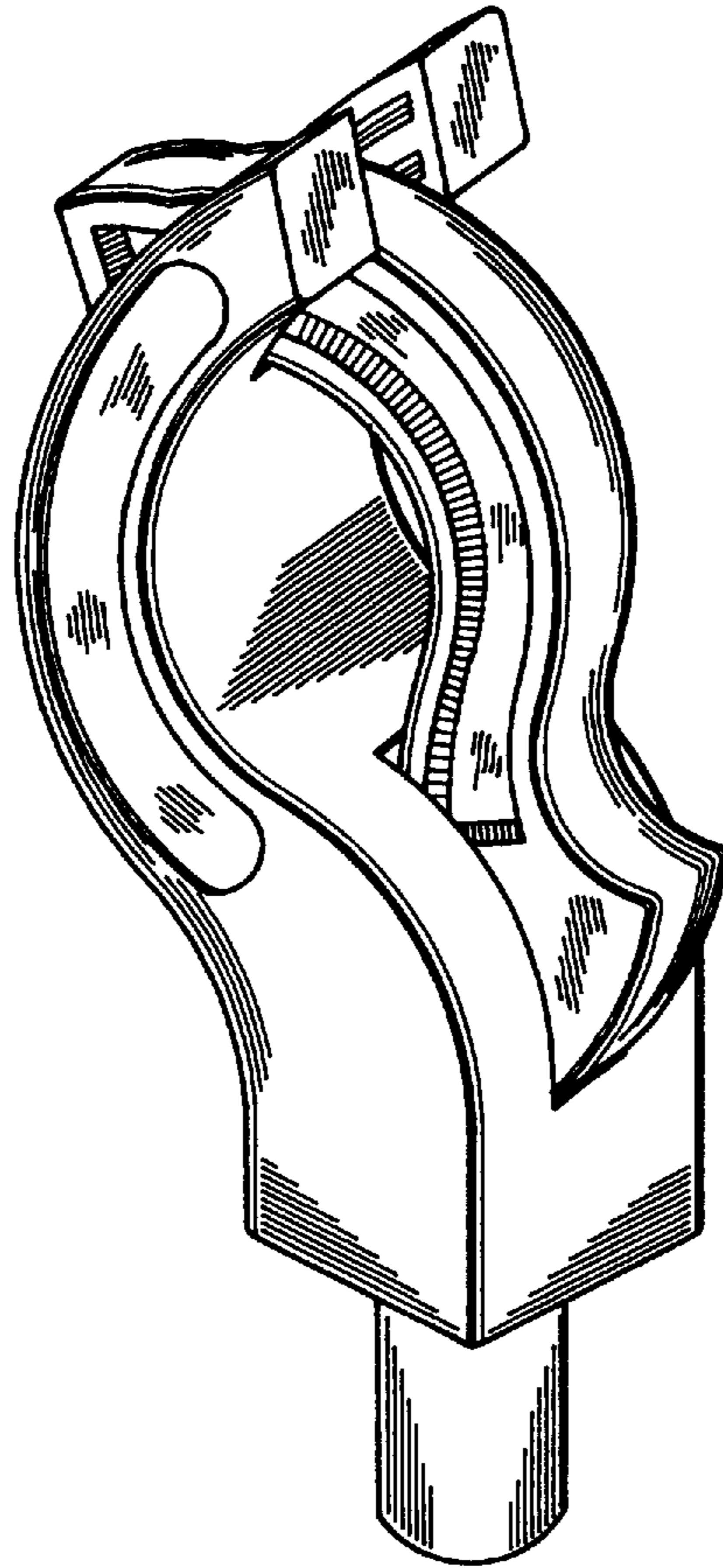


Fig. 3

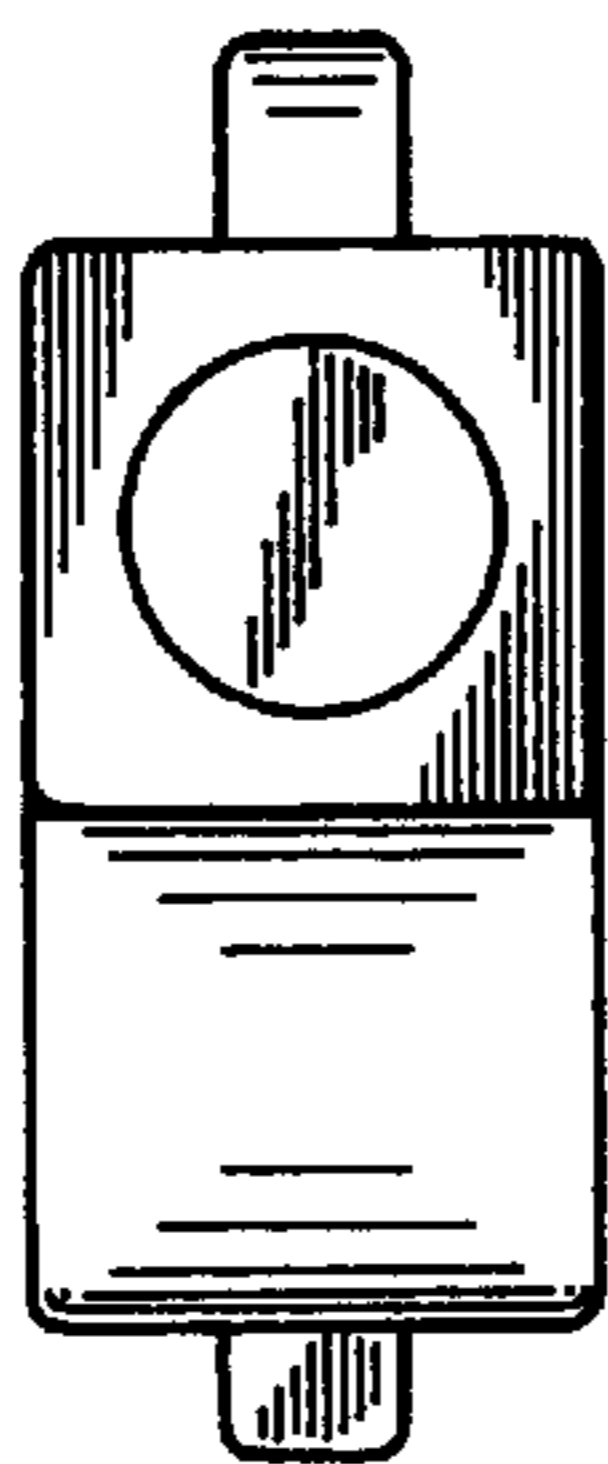


Fig. 4

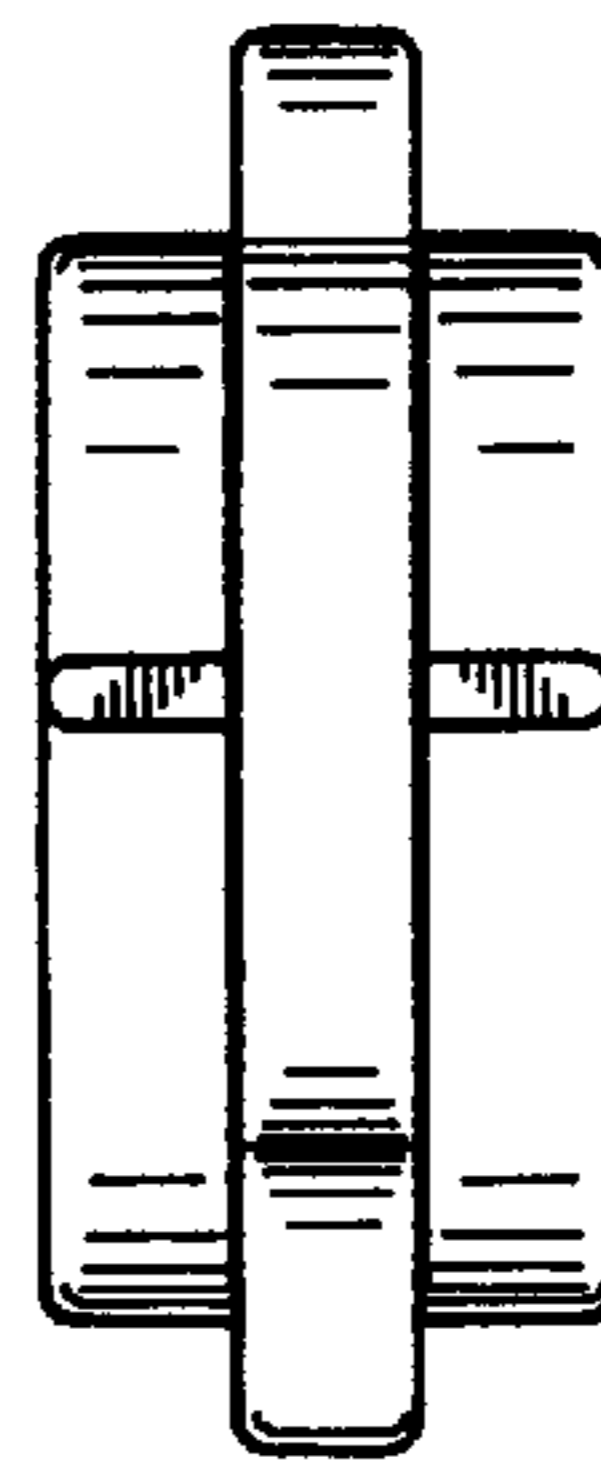


Fig. 5

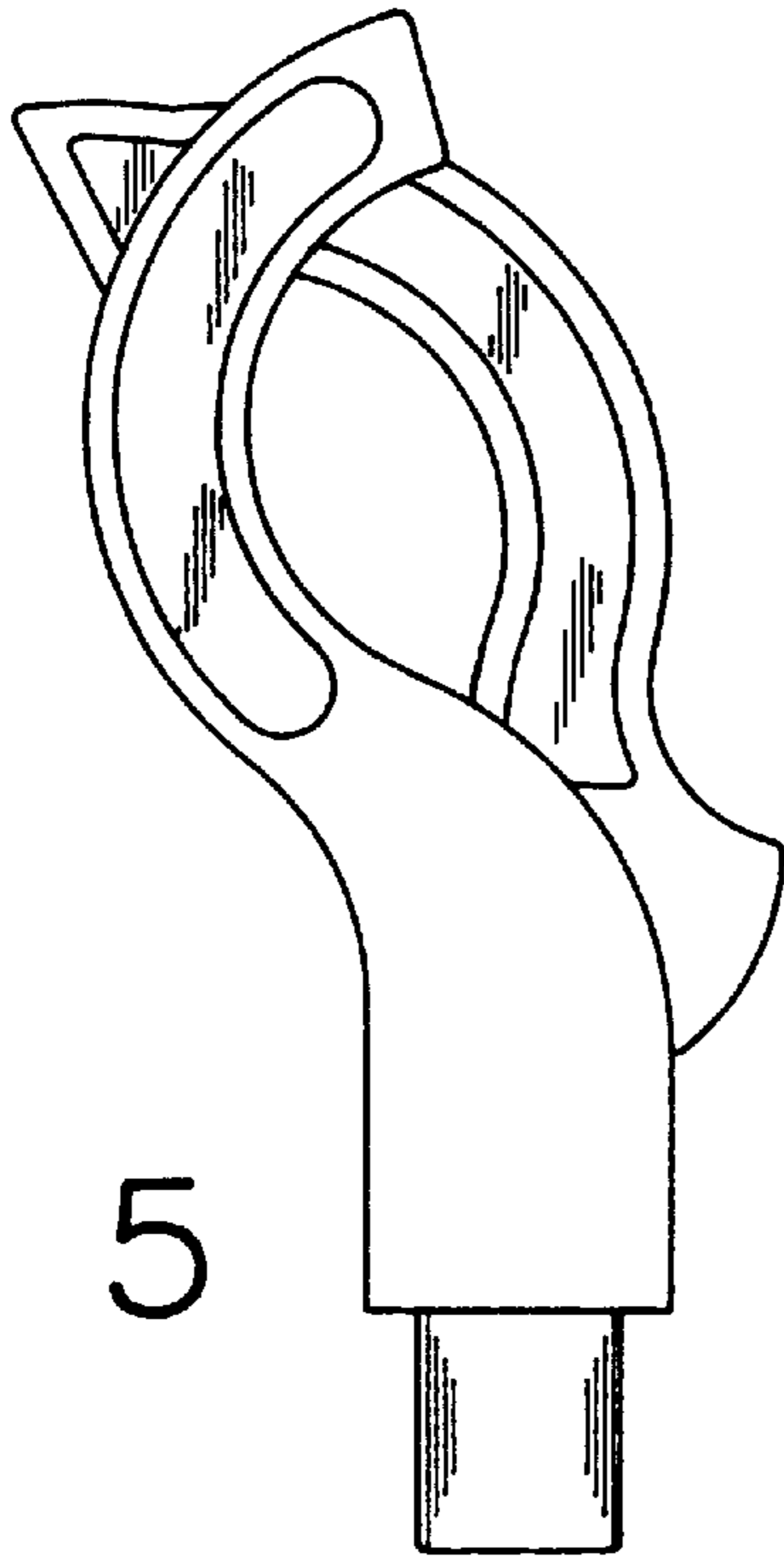


Fig. 6

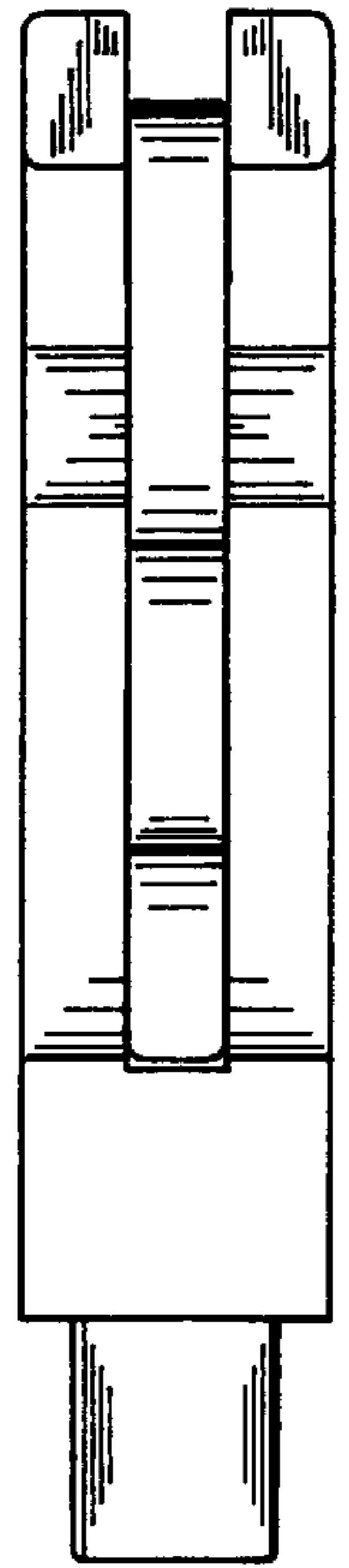


Fig. 7

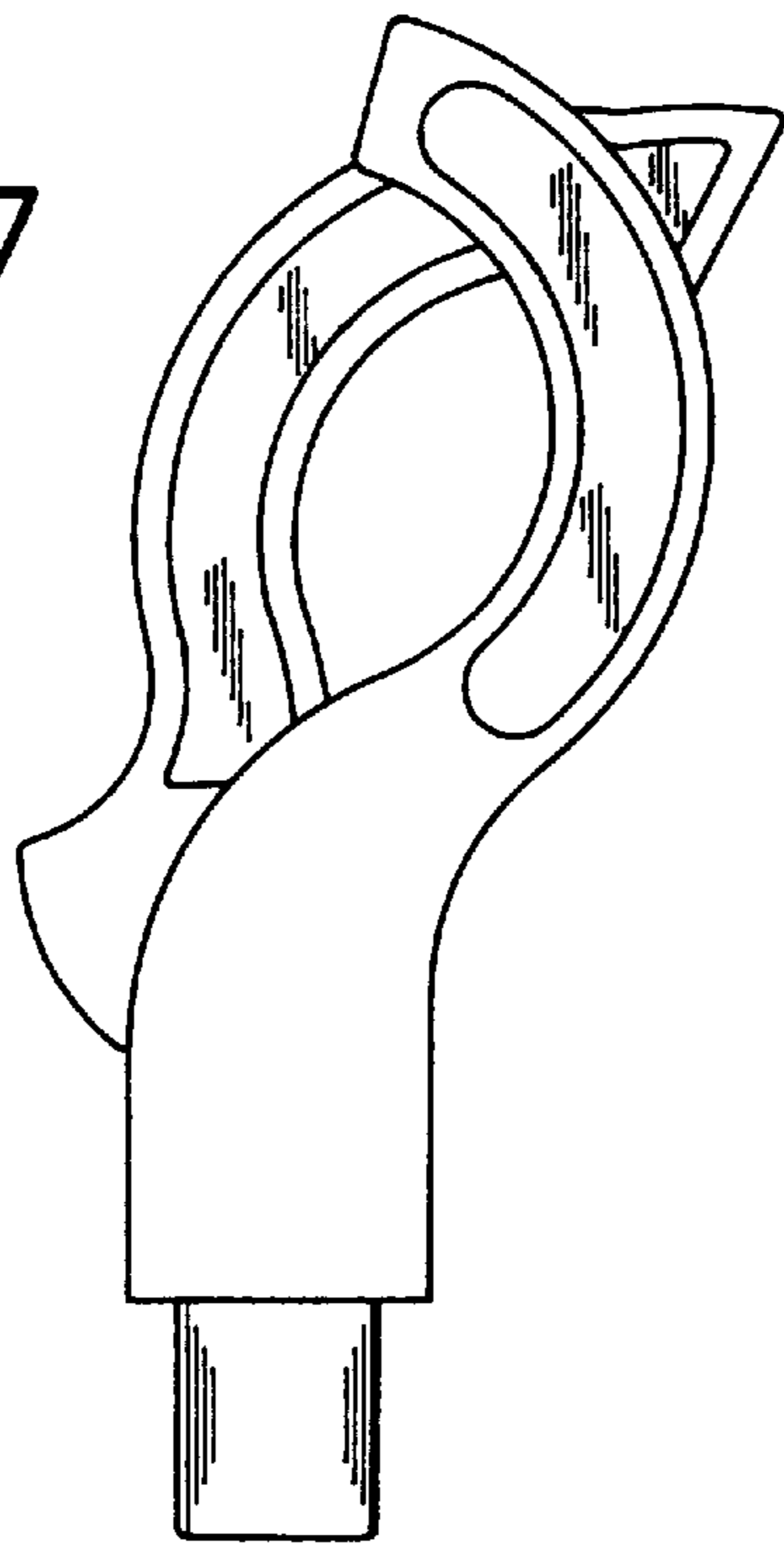


Fig. 8

