



US00D400293S

United States Patent [19]
Edwards

[11] **Patent Number: Des. 400,293**

[45] **Date of Patent: **Oct. 27, 1998**

[54] **CANOPY FOR LIGHTING FIXTURE**

[76] Inventor: **Charles Edwards**, 582 Kings Road,
London SW6 2DY, United Kingdom

[**] Term: **14 Years**

[21] Appl. No.: **59,888**

[22] Filed: **Sep. 17, 1996**

[51] **LOC (6) Cl.** **26-99**

[52] **U.S. Cl.** **D26/142; D26/72**

[58] **Field of Search** D26/72, 80-92,
D26/142, 143, 144, 147, 148, 149, 151,
152, 150, 156; 362/147, 404, 405, 406,
407, 408, 432; 248/345; D8/350, 351, 352

[56] **References Cited**

U.S. PATENT DOCUMENTS

D. 204,801 5/1966 Rhoades D8/352
D. 352,798 11/1994 Her D26/82

OTHER PUBLICATIONS

Emerson Electric Building Products Catalog, p. 47, ceiling
lamp #246, Oct. 1964.

Item #23B—Clear Glass Bell Jar—Chas. Edwards, London,
1994.

Primary Examiner—Susan J. Lucas

Attorney, Agent, or Firm—Saidman DesignLaw Group

[57] **CLAIM**

The ornamental design for a canopy for lighting fixture, as
shown and described.

DESCRIPTION

FIG. 1 is a perspective view of a canopy for lighting fixture
showing my new design;

FIG. 2 is a side view thereof;

FIG. 3 is a top view thereof; and,

FIG. 4 is a bottom view thereof.

The broken lines in FIG. 2 are environmental only and form
no part of the claimed design.

1 Claim, 2 Drawing Sheets

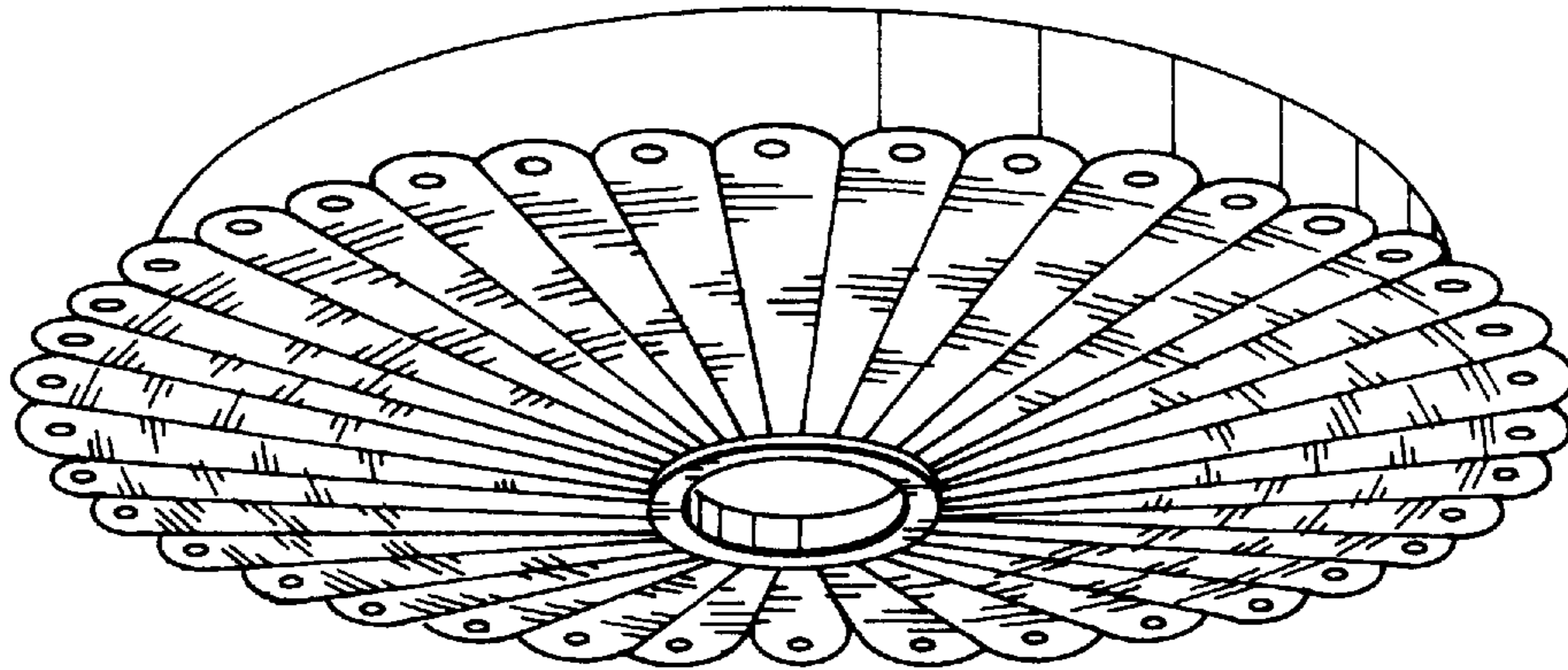


FIG. 1

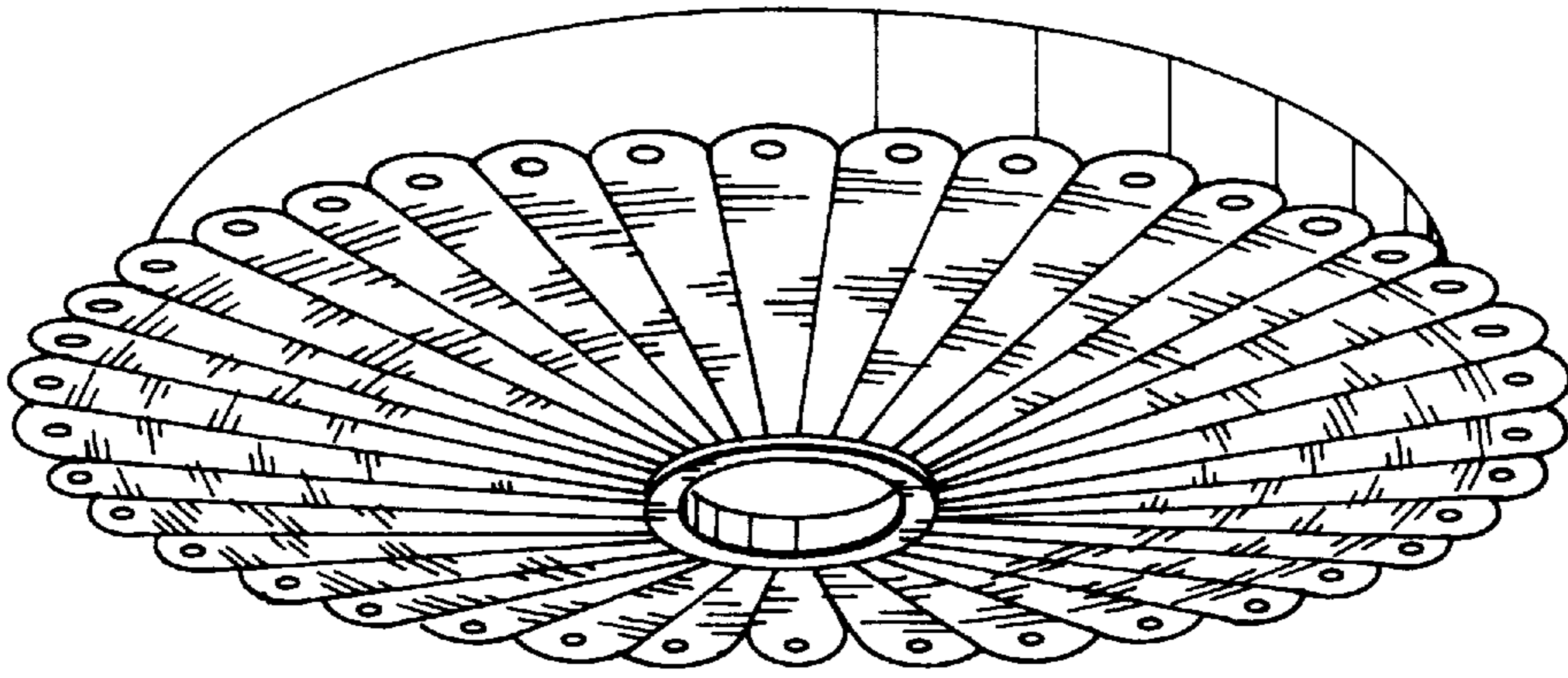


FIG. 2

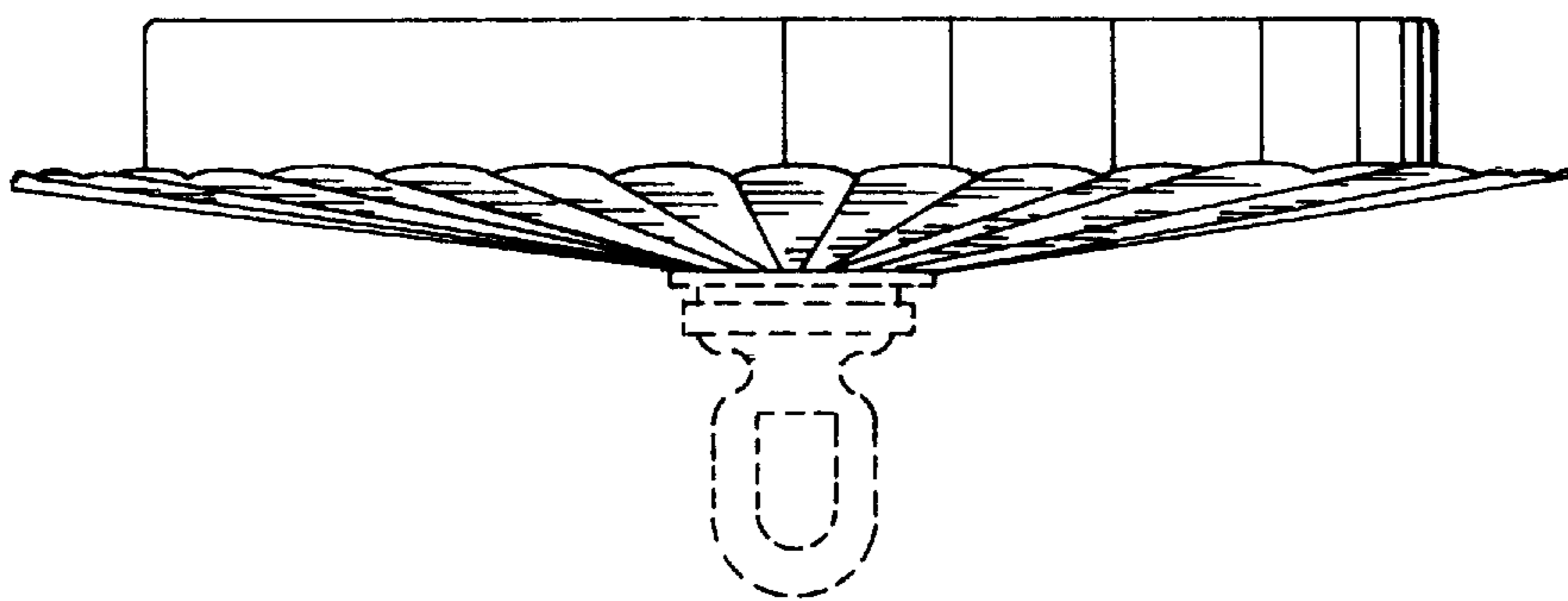


FIG. 3

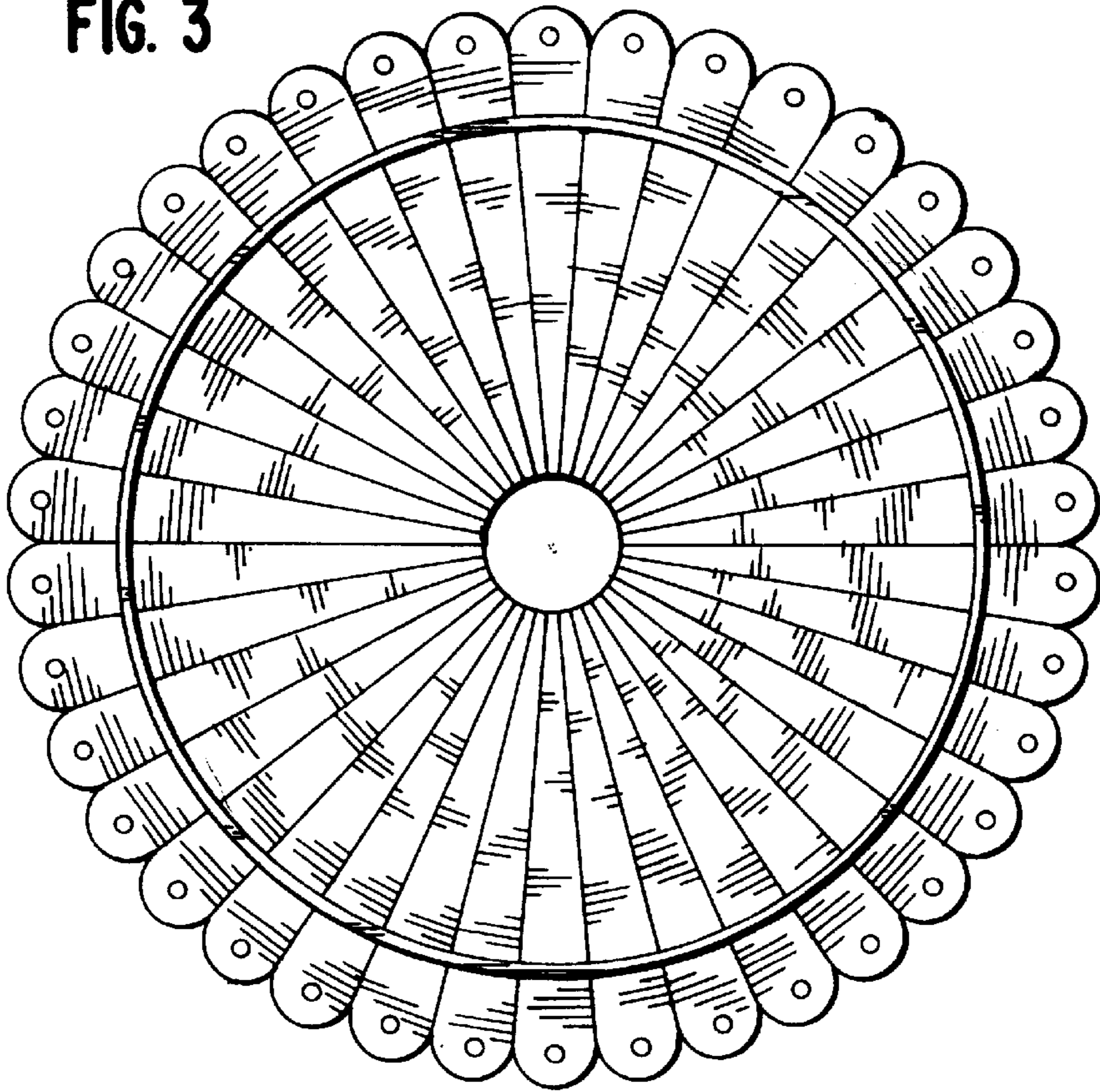


FIG. 4

