



US00D400290S

United States Patent [19]
Hart

[11] **Patent Number: Des. 400,290**
[45] **Date of Patent: **Oct. 27, 1998**

[54] **COMBINED PROTECTIVE GRILL AND LENS FOR PORTABLE LAMP**

D. 367,540 2/1996 Lee .
D. 375,377 11/1996 Leen .

[75] Inventor: **Donald B. Hart**, Dana Point, Calif.

[73] Assignee: **Alltrade Inc.**, Long Beach, Calif.

[**] Term: **14 Years**

[21] Appl. No.: **73,973**

[22] Filed: **Jul. 21, 1997**

Related U.S. Application Data

[63] Continuation of Ser. No. 62,727, Nov. 22, 1996, abandoned.

[51] **LOC (6) Cl.** **26-99**

[52] **U.S. Cl.** **D26/119**

[58] **Field of Search** D26/60, 61, 63,
D26/65, 118, 119, 139; 362/269, 275, 287,
418, 419, 427, 376, 377, 378

[56] **References Cited**

U.S. PATENT DOCUMENTS

D. 359,371 6/1995 Osteen .
D. 365,408 12/1995 Lui .

OTHER PUBLICATIONS

Regent Lighting Flyer, portable halogen floodlight, mod. QRL500—Aug. 1995.

Primary Examiner—Susan J. Lucas

[57] **CLAIM**

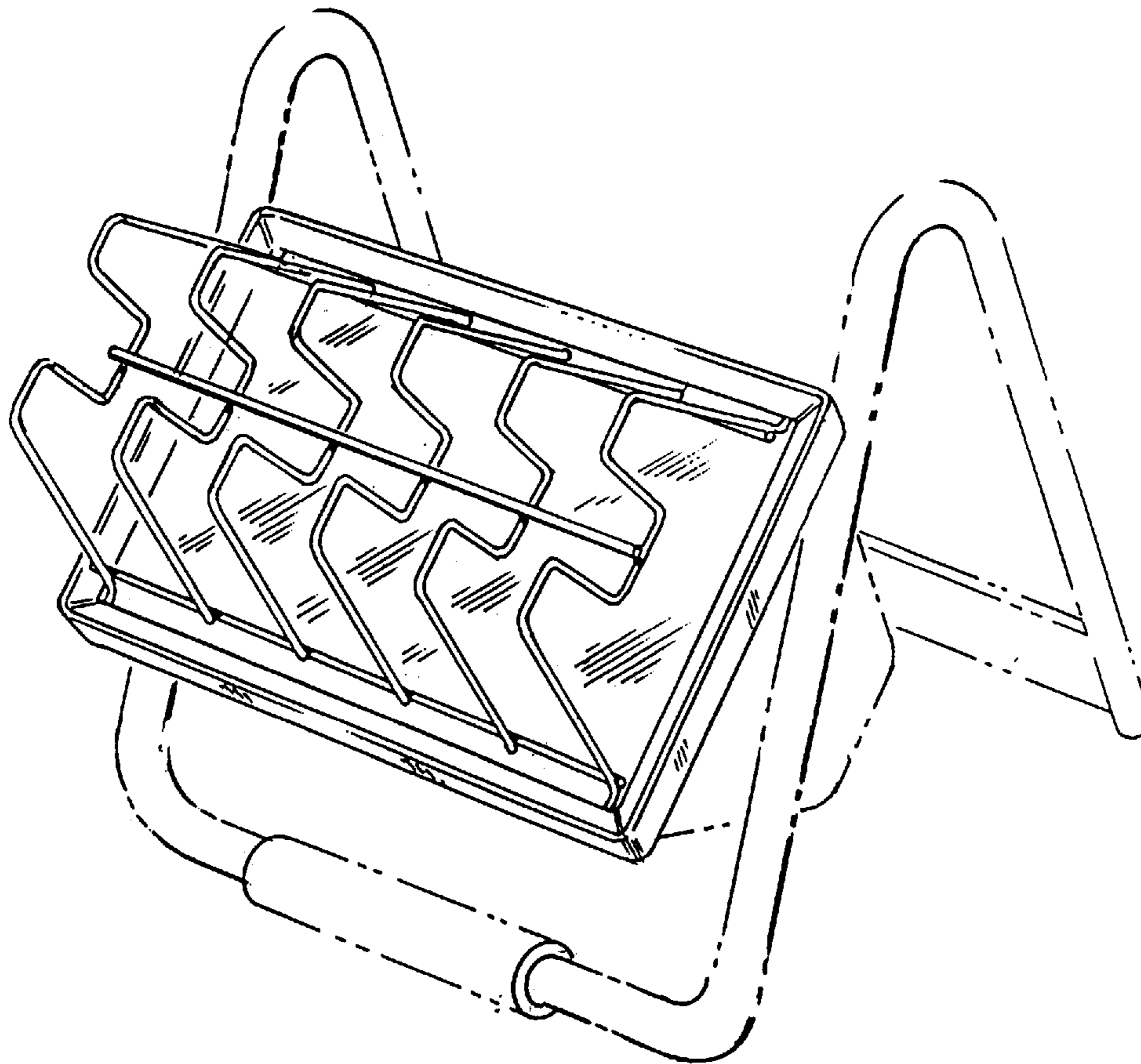
The ornamental design for a combined protective grill and lens for portable lamp, as shown and described.

DESCRIPTION

FIG. 1 is a perspective view of a combined protective grill and lens for portable lamp showing my new design; FIG. 2 is a front elevational view thereof; FIG. 3 is a right side elevational view thereof; FIG. 4 is a plan view thereof; FIG. 5 is a left side elevational view thereof; FIG. 6 is a rear elevational view thereof; and, FIG. 7 is a bottom plan view thereof.

The broken line showing of a portable lamp in FIGS. 1 through 5 and 7 is for illustrative purposes only and forms no part of the claimed design.

1 Claim, 2 Drawing Sheets



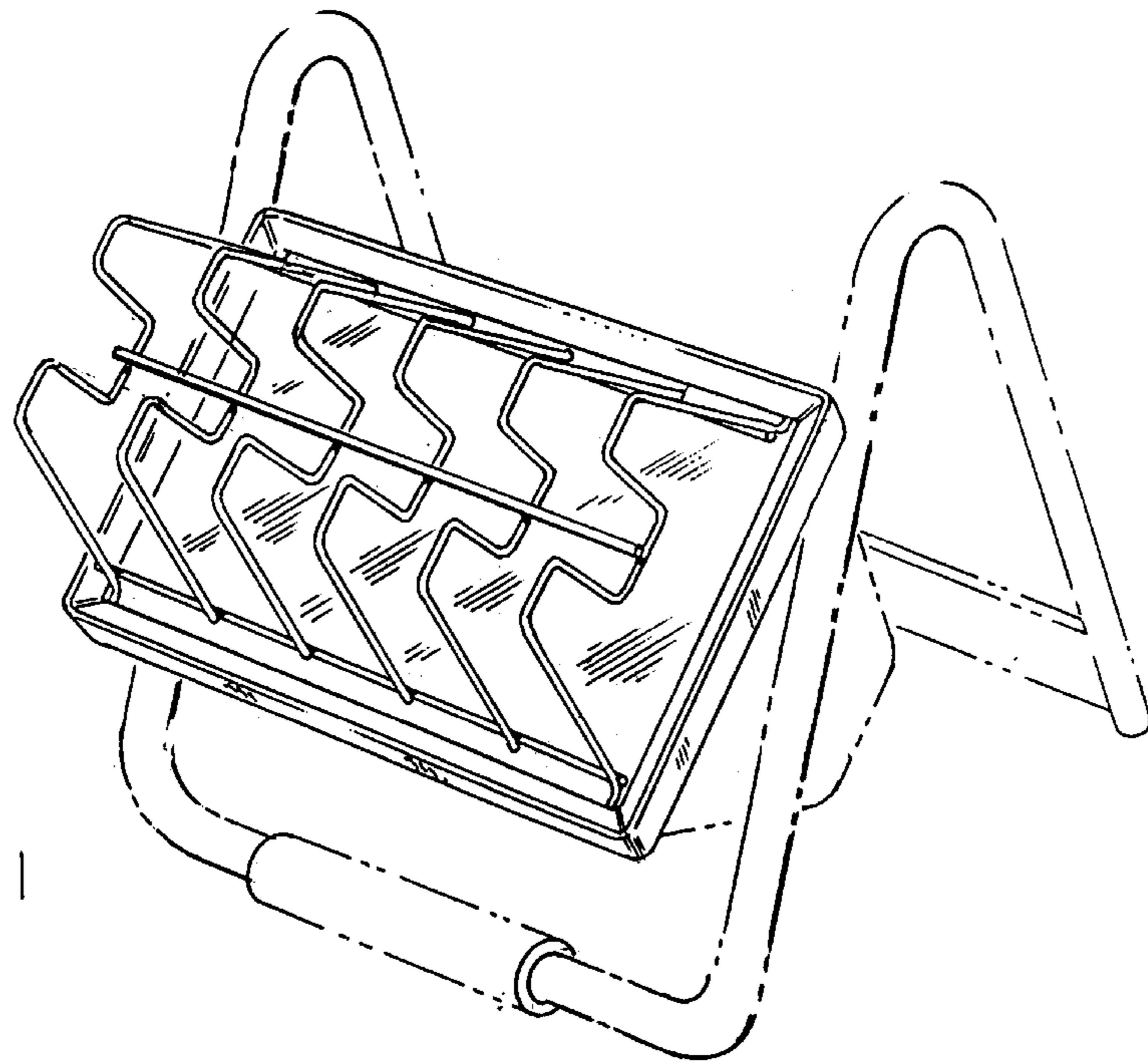


FIG. 1

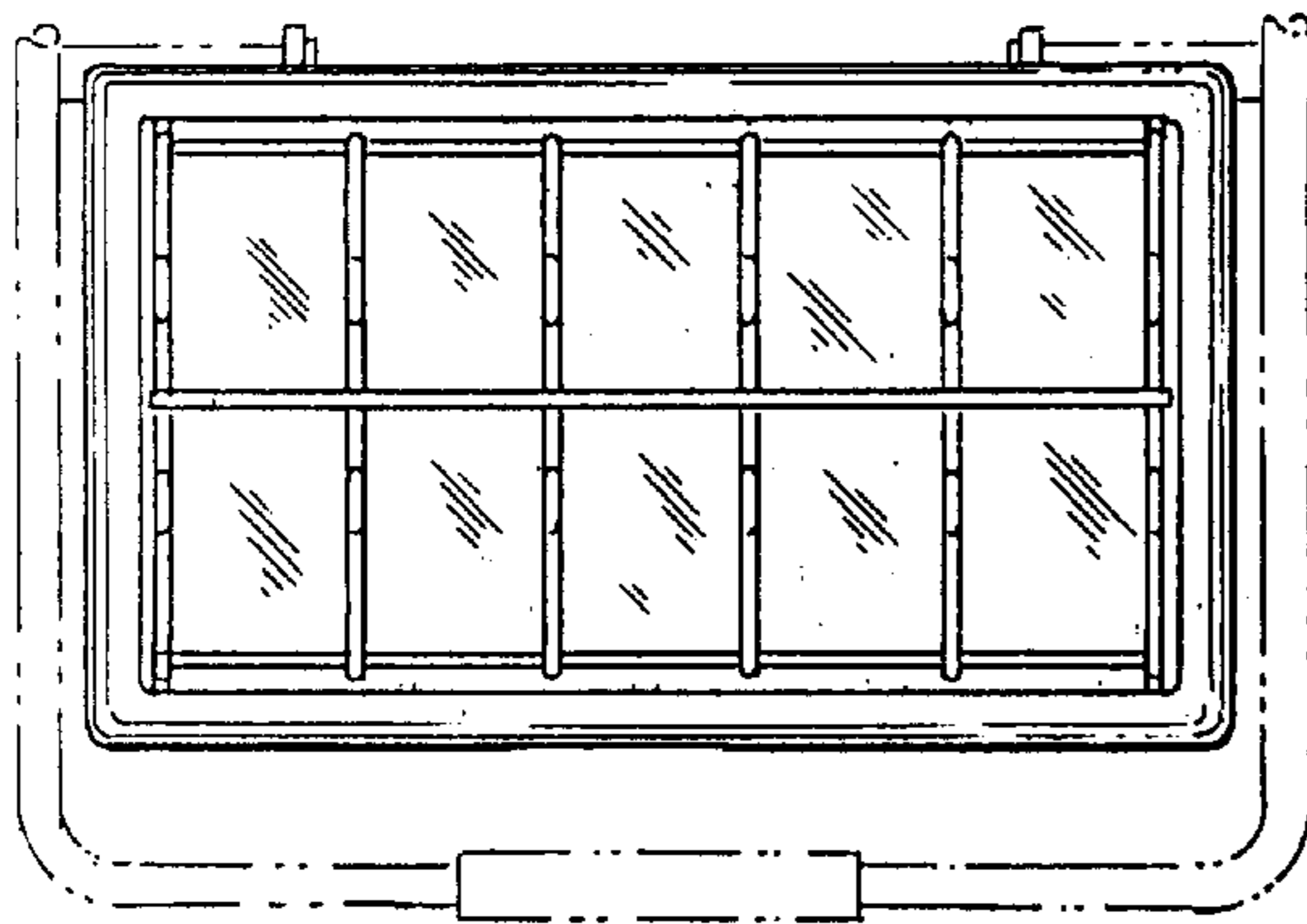


FIG. 2

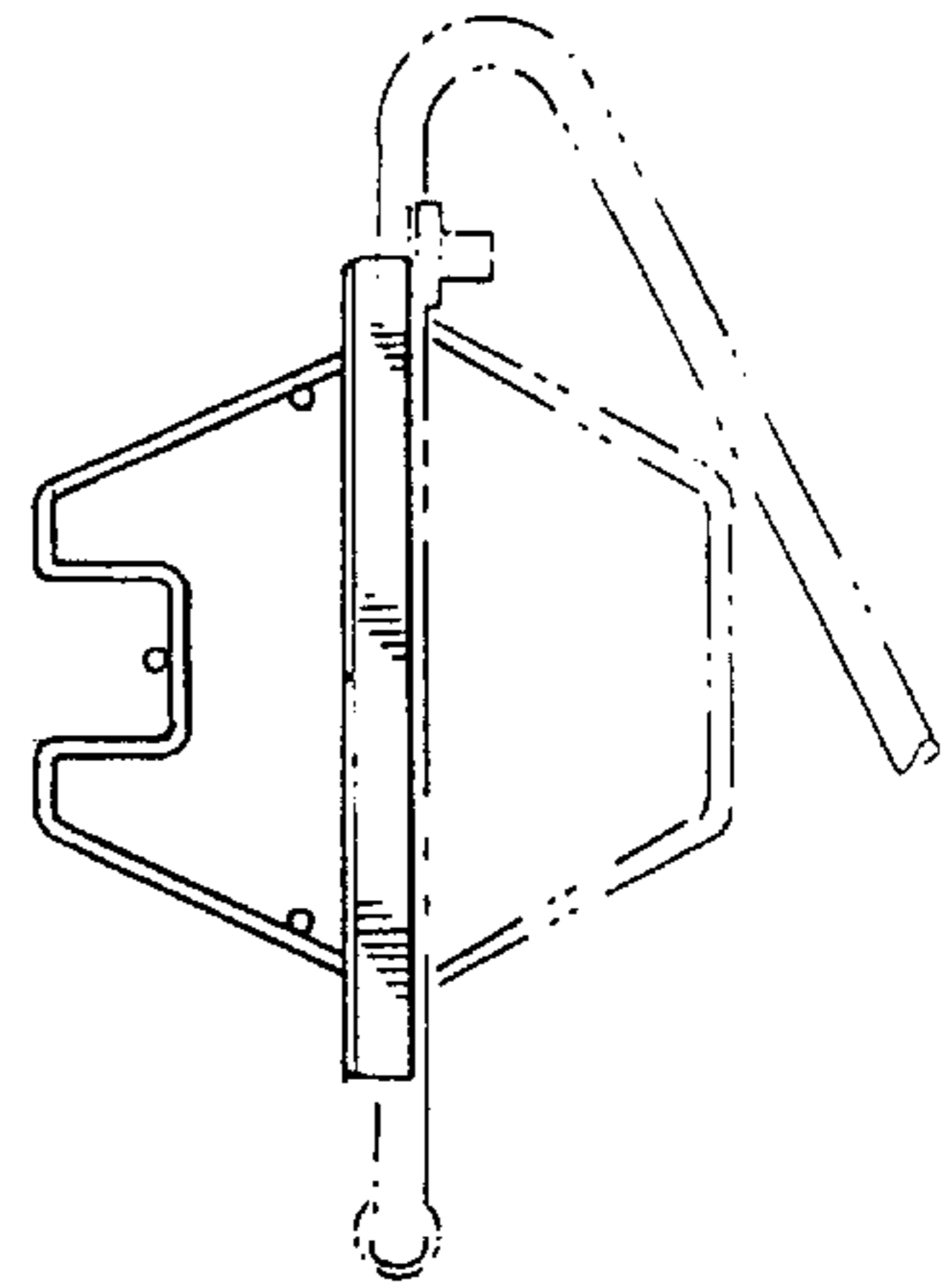


FIG. 3

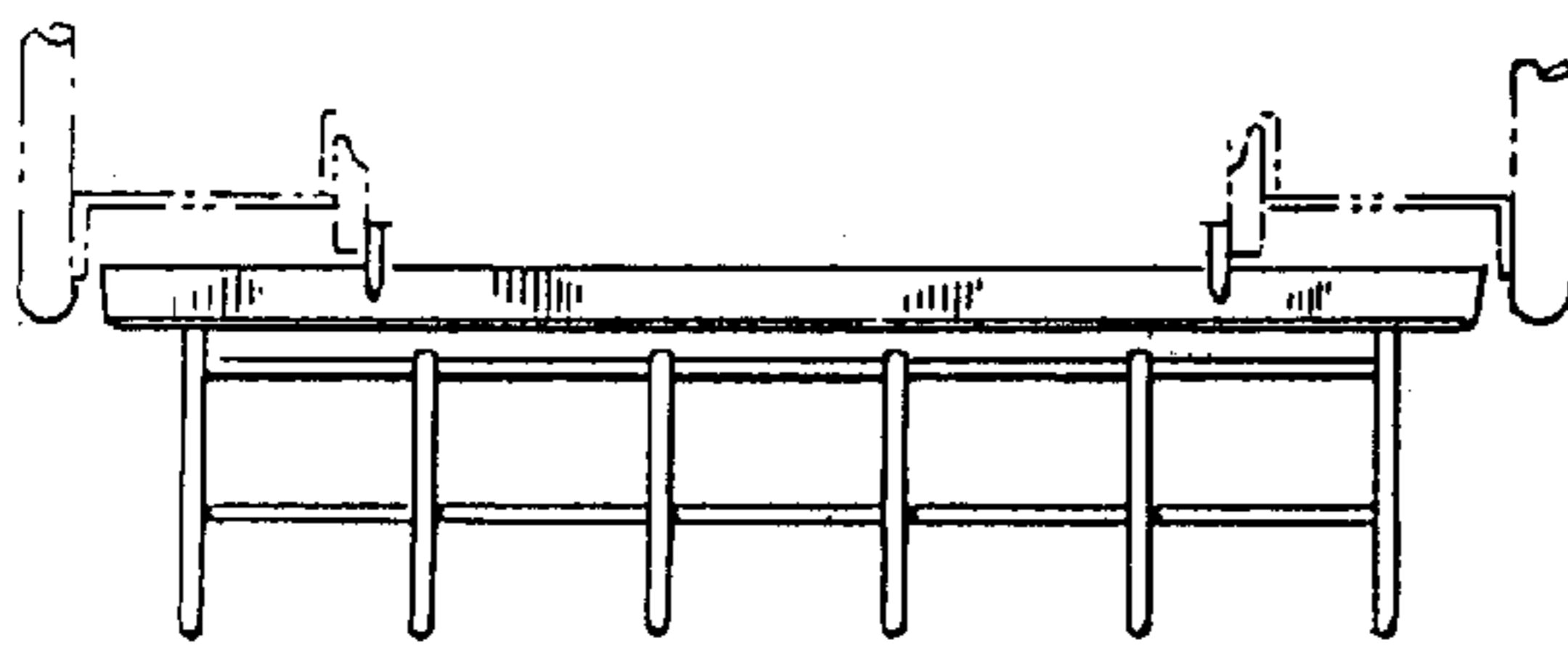


FIG. 4

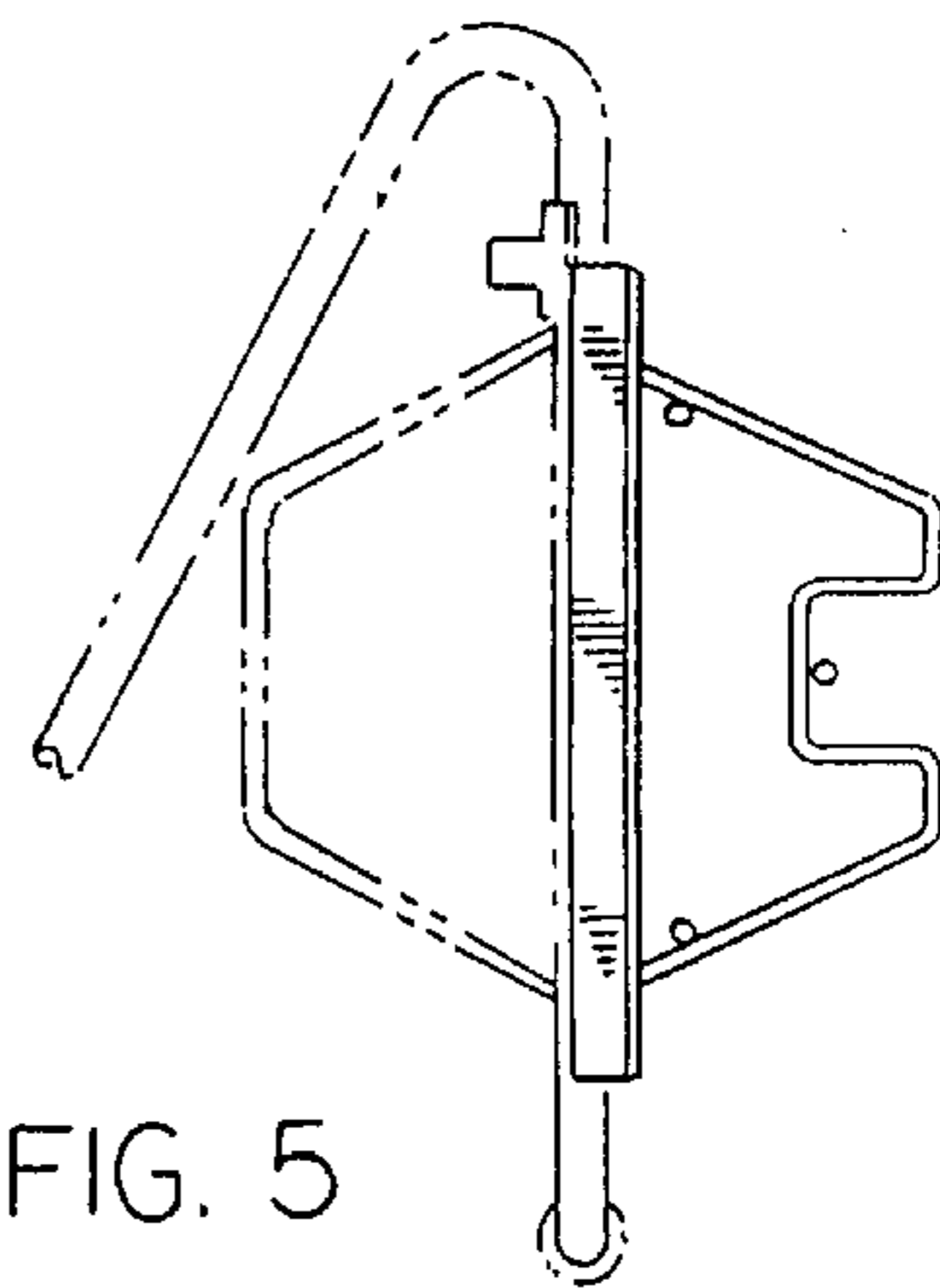


FIG. 5

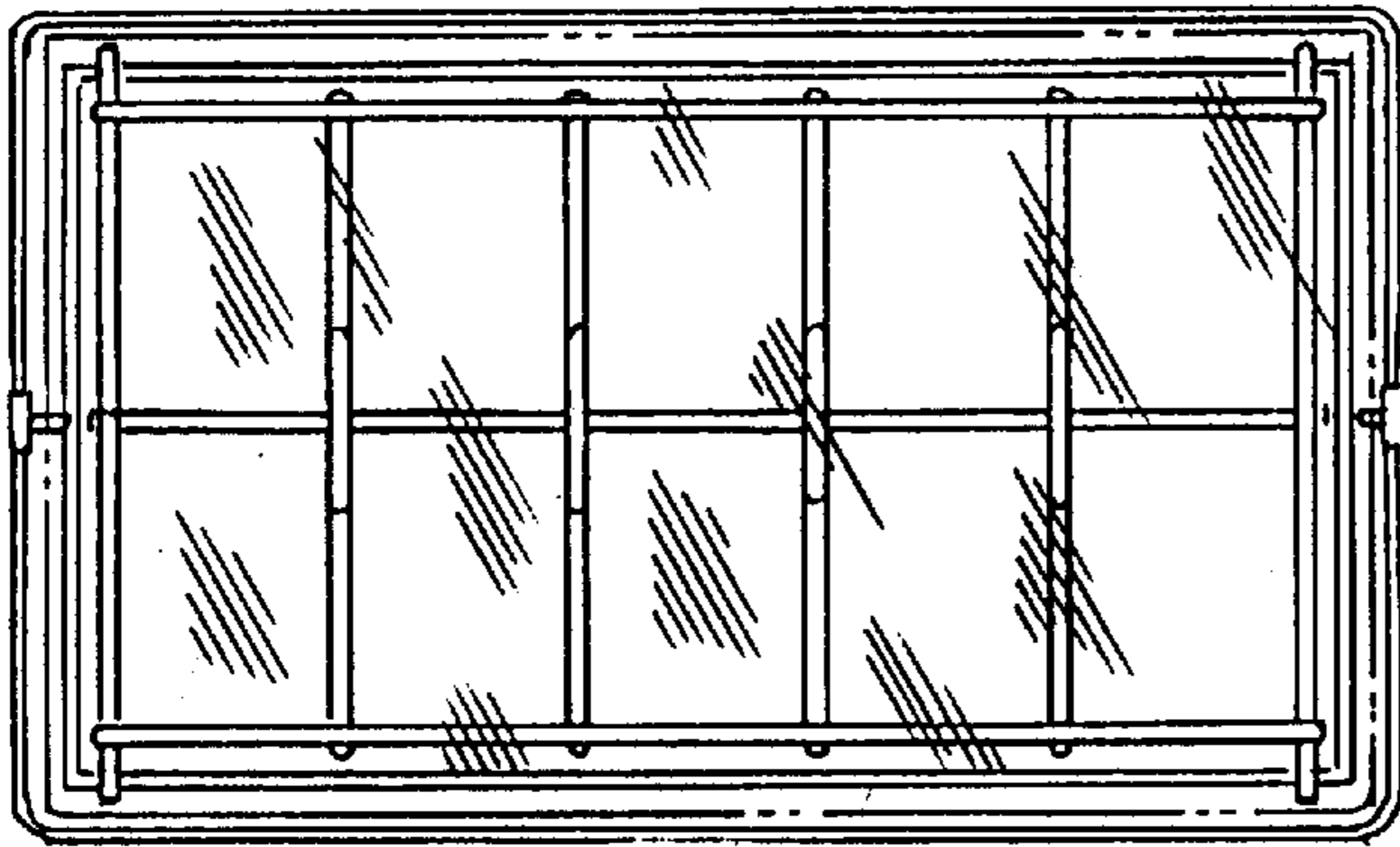


FIG. 6

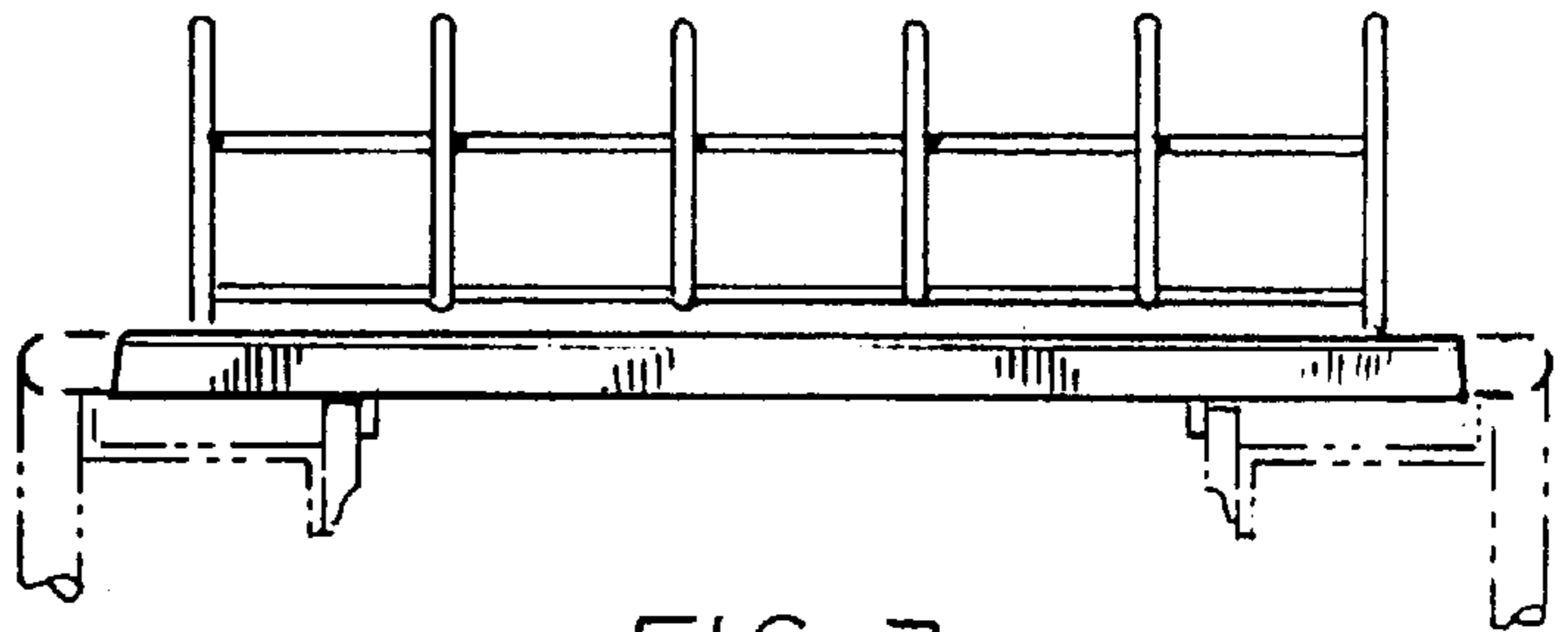


FIG. 7