



US00D400289S

United States Patent [19]

Wardenburg et al.

[11] Patent Number: **Des. 400,289**

[45] Date of Patent: ****Oct. 27, 1998**

[54] **REFLECTOR FOR HORTICULTURAL LIGHTING**

[75] Inventors: **Peter B. Wardenburg; Timothy D. Allega**, both of San Rafael, Calif.

[73] Assignee: **Applied Hydroponics, Inc.**, Petaluma, Calif.

[**] Term: **14 Years**

[21] Appl. No.: **68,145**

[22] Filed: **Mar. 17, 1997**

Related U.S. Application Data

[63] Continuation-in-part of Ser. No. 60,160, Sep. 23, 1996.

[51] **LOC (6) Cl.** **26-99**

[52] **U.S. Cl.** **D26/118**

[58] **Field of Search** D26/118, 128-136; 362/350, 351, 355, 341, 343, 346, 349

[56] References Cited

U.S. PATENT DOCUMENTS

32,722	7/1861	Schmidlen et al.	362/350
D. 311,597	10/1990	Poot	D26/118
2,242,590	5/1941	Moreau	362/341

Primary Examiner—Susan J. Lucas
Attorney, Agent, or Firm—Cooley Godward LLP

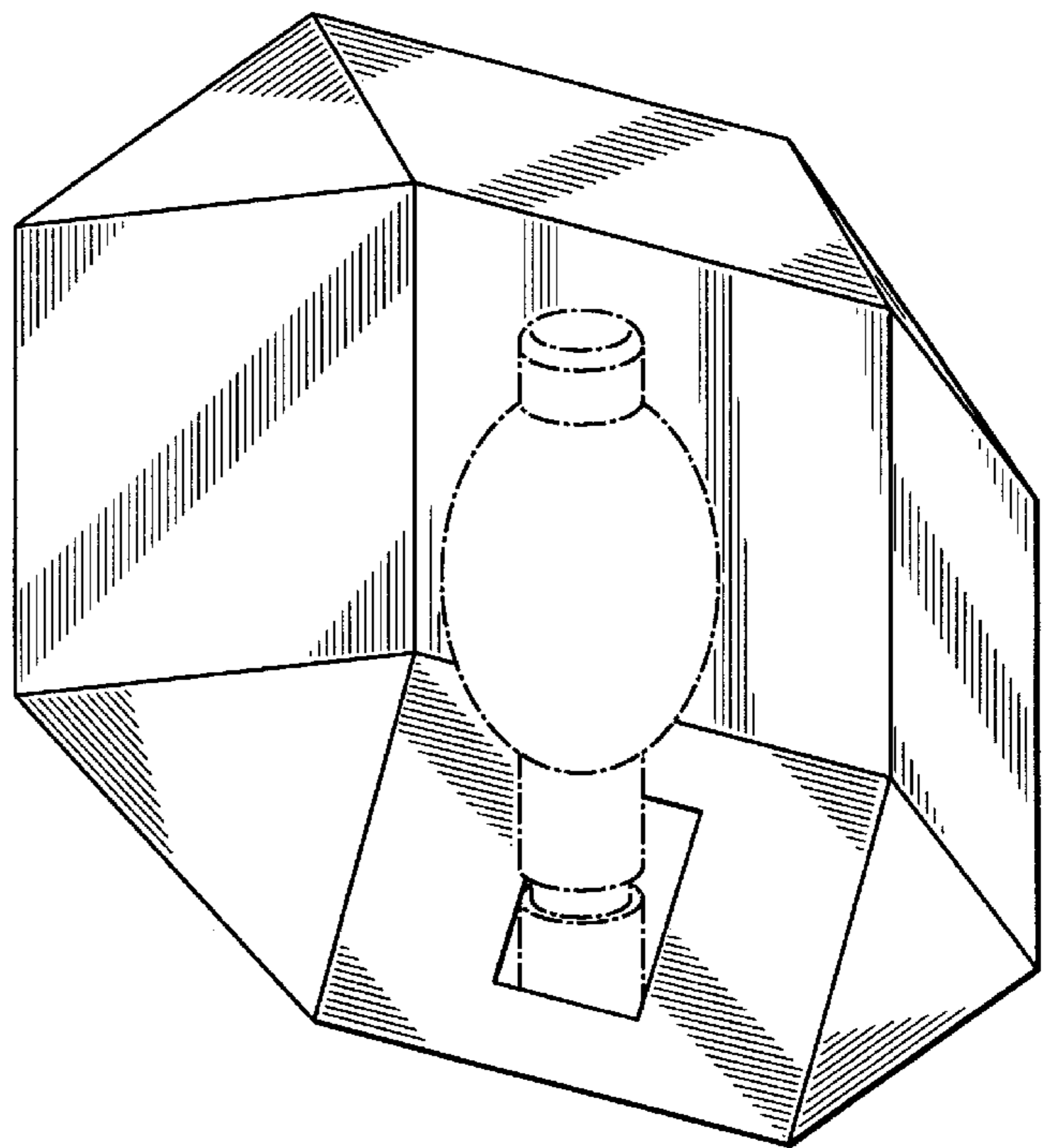
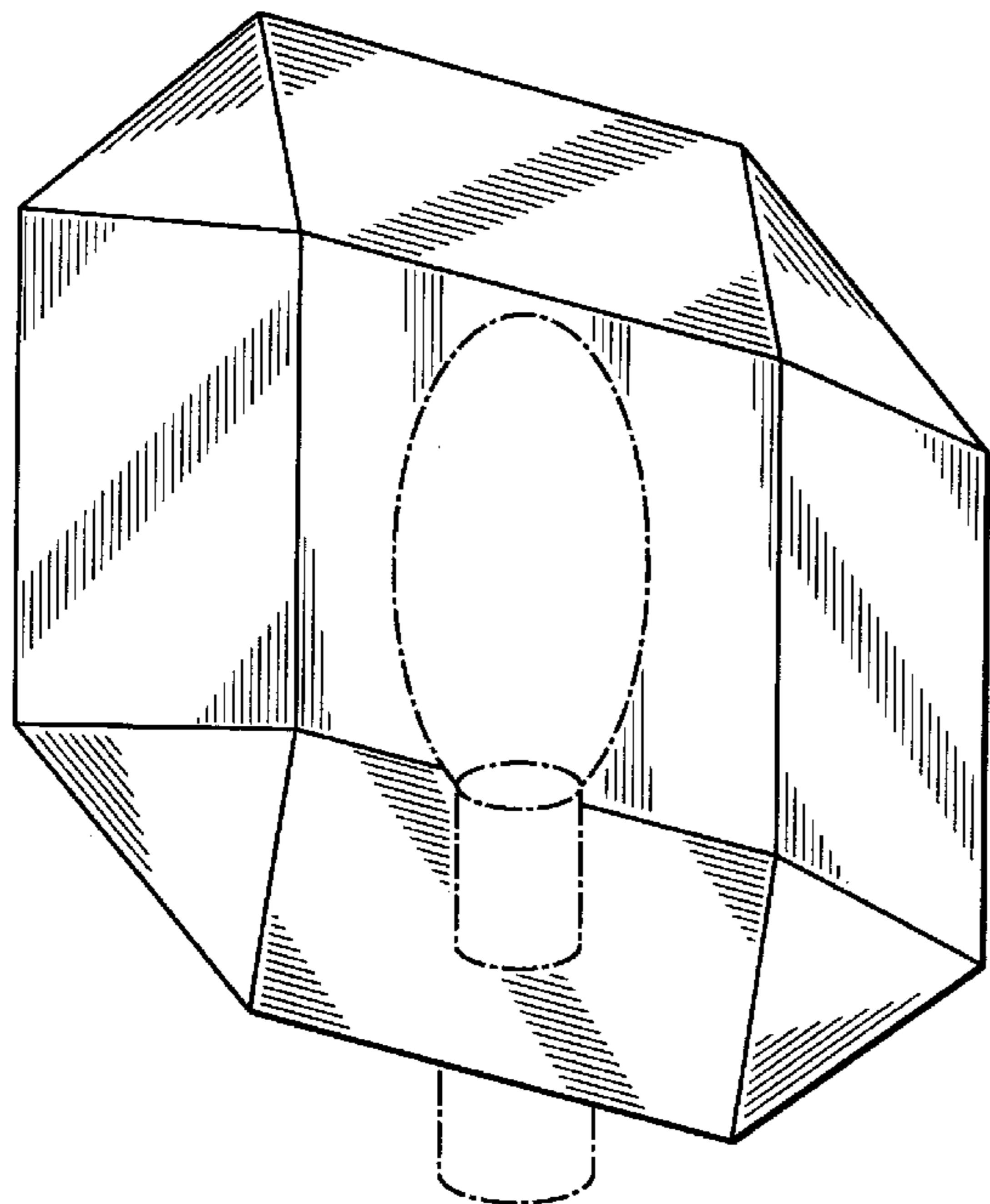
[57] CLAIM

The ornamental design for a reflector for horticultural lighting, as shown and described.

DESCRIPTION

FIG. 1 is a perspective view of a first embodiment of the reflector for horticultural lighting, showing our new design; FIG. 2 is a front view of the reflector for horticultural lighting as shown in FIG. 1, further showing our new design; FIG. 3 is a left side view of the reflector for horticultural lighting as shown in FIG. 1, further showing our new design. The right side view is a mirror image of the left side view. FIG. 4 is a back view of the reflector for horticultural lighting as shown in FIG. 1, further showing our new design; FIG. 5 is a perspective view of a second embodiment of the reflector for horticultural lighting, showing our new design; FIG. 6 is a front view of the reflector for horticultural lighting as shown in FIG. 5, further showing our new design; FIG. 7 is a left side view of the reflector for horticultural lighting as shown in FIG. 5, further showing our new design. The right side view is a mirror image of the left side view. FIG. 8 is a back view of the reflector for horticultural lighting as shown in FIG. 5, further showing our new design; and, FIG. 9 is a bottom view of the reflector for horticultural lighting as shown in FIG. 5, further showing our new design. The broken lines are shown for illustrative purposes only and form no part of the claimed design.

1 Claim, 6 Drawing Sheets



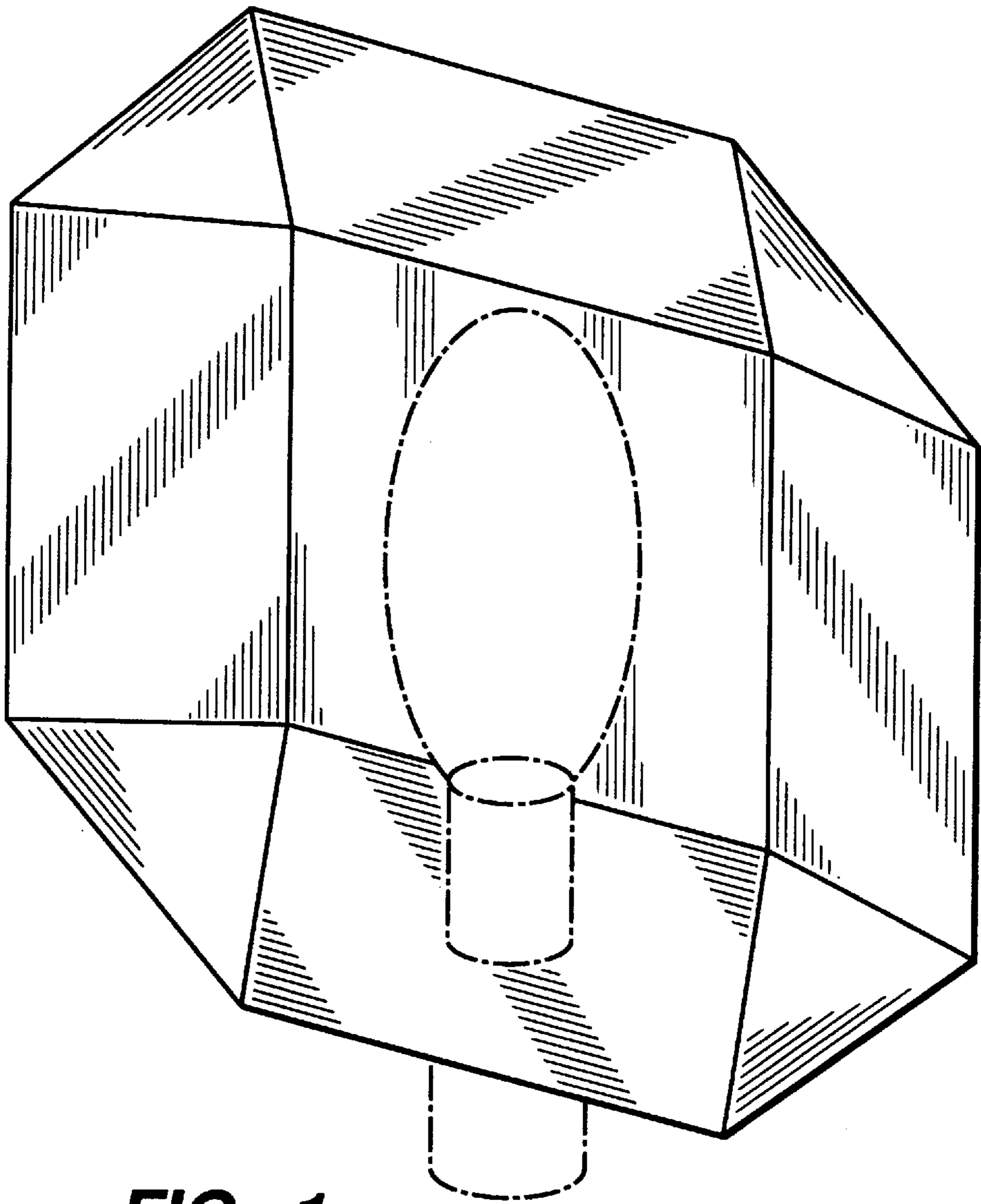


FIG. 1

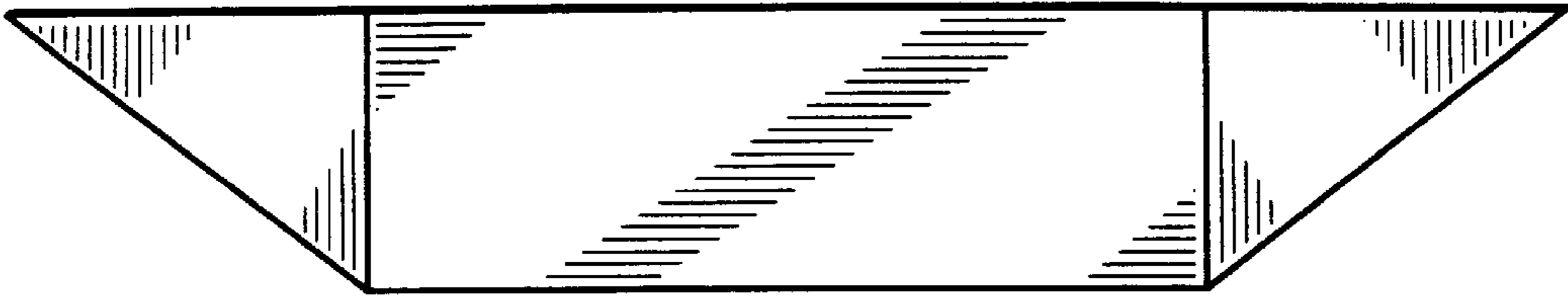


FIG.--3

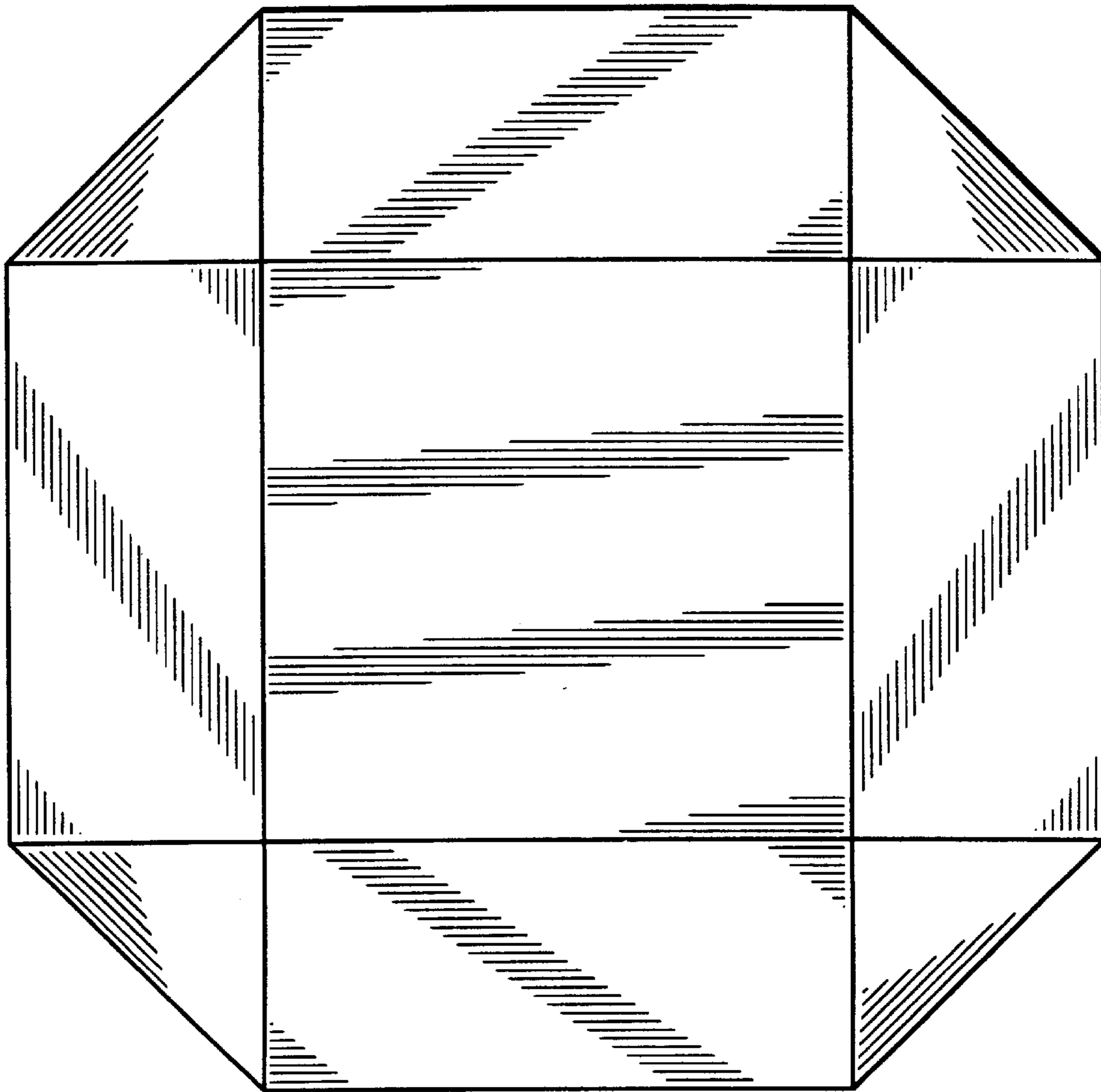


FIG.--2

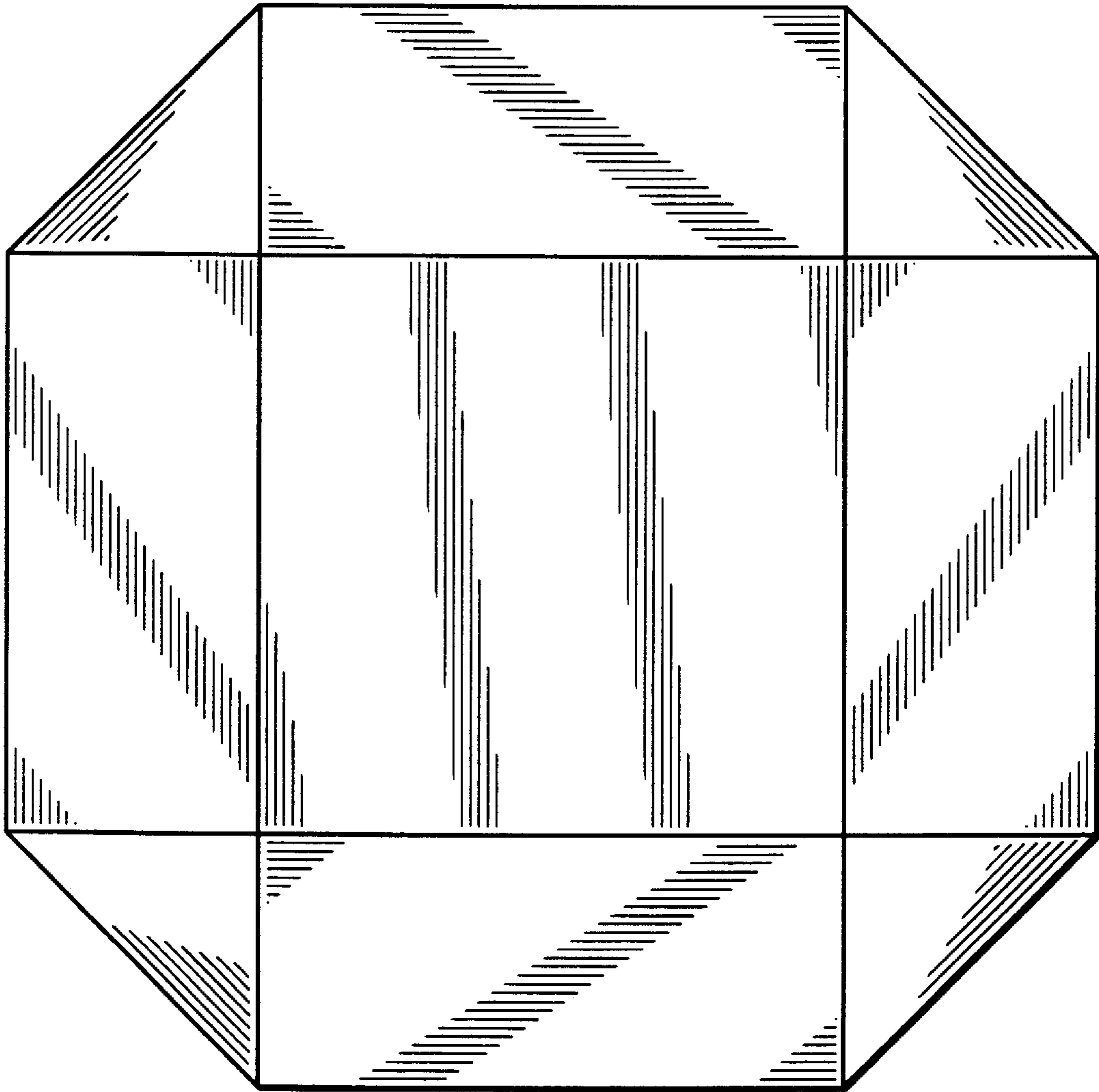


FIG. 4

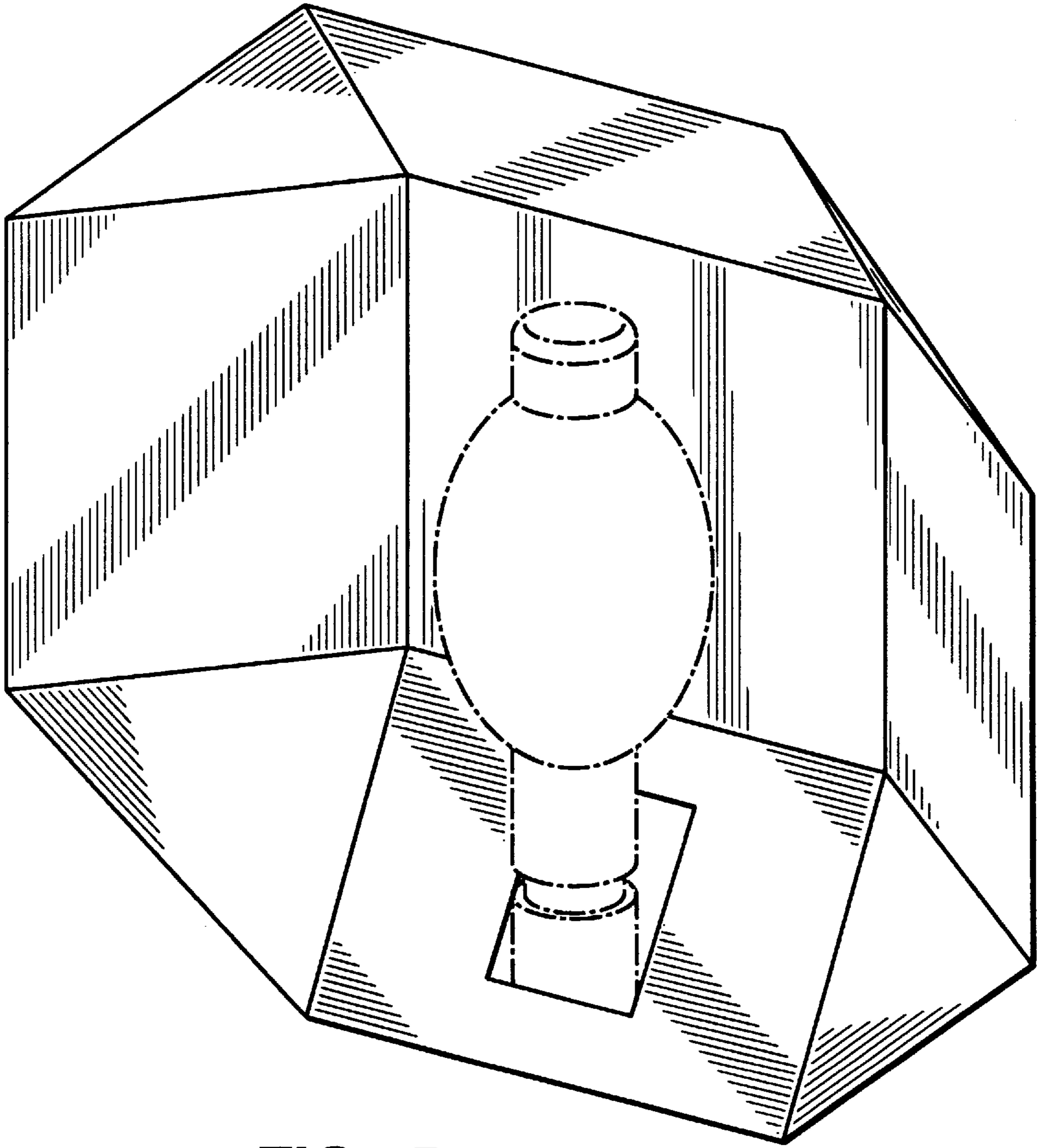


FIG. 5

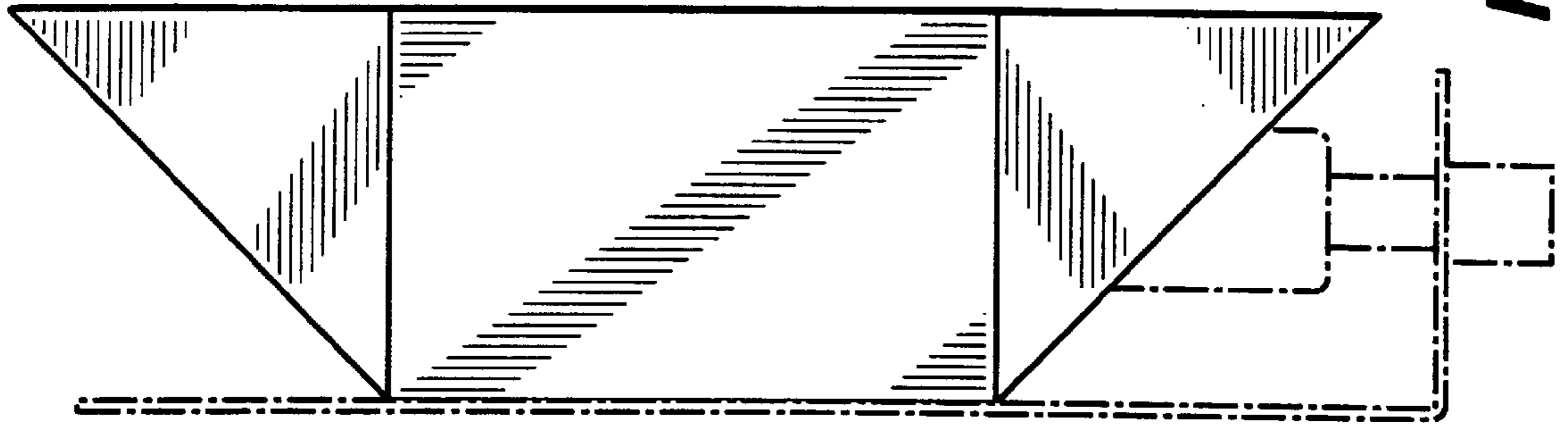


FIG. 7

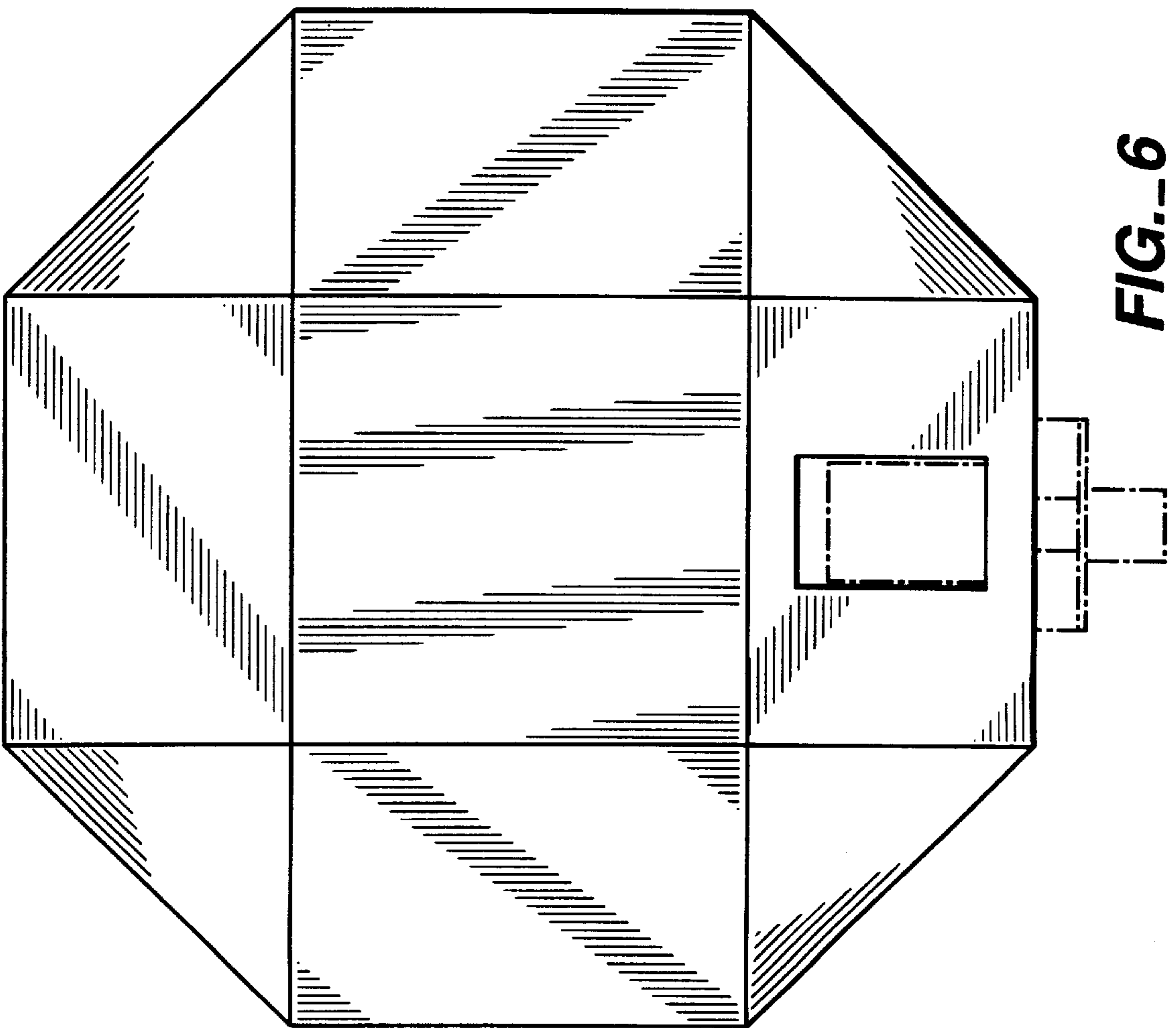


FIG. 6

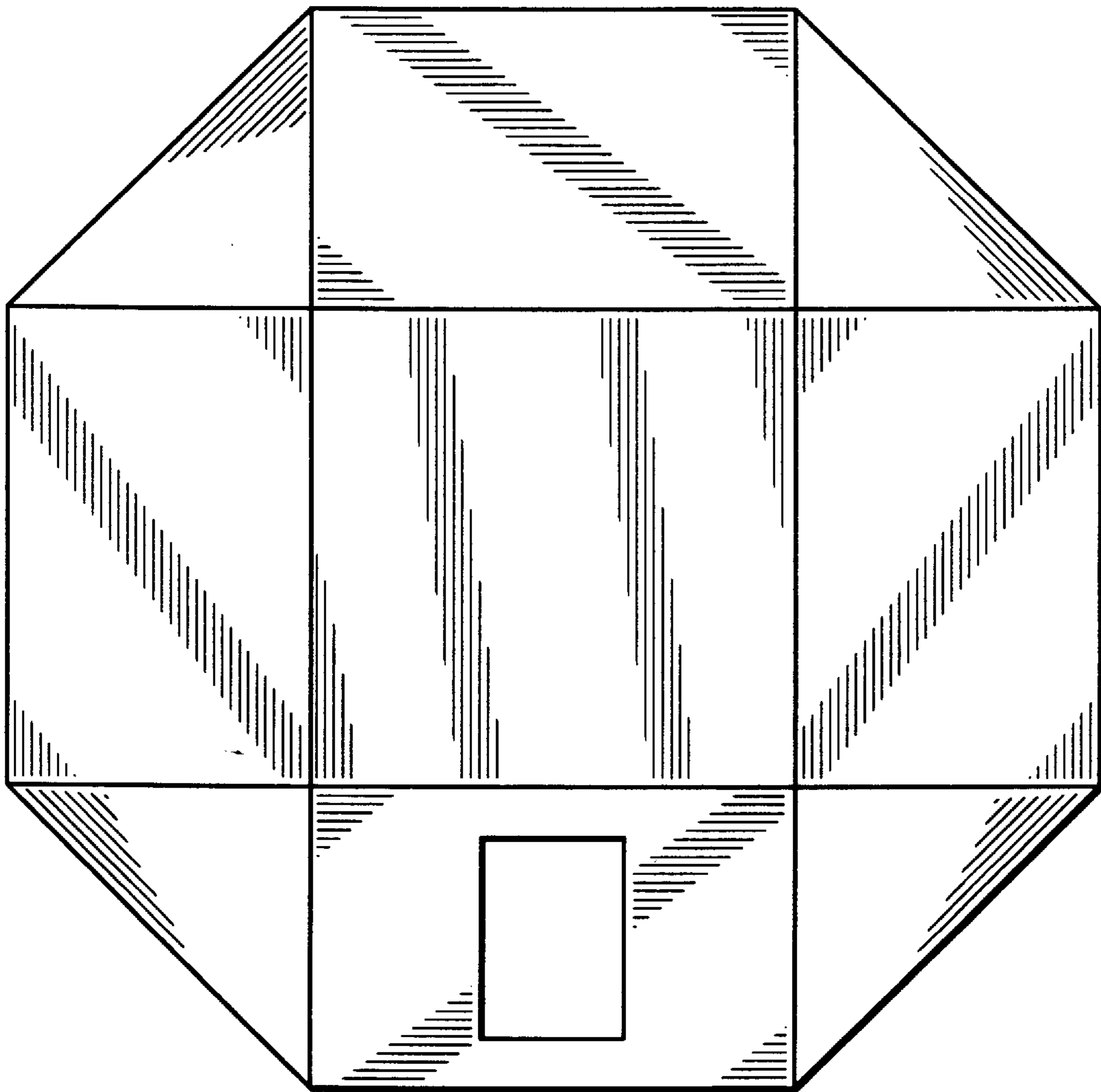


FIG._8

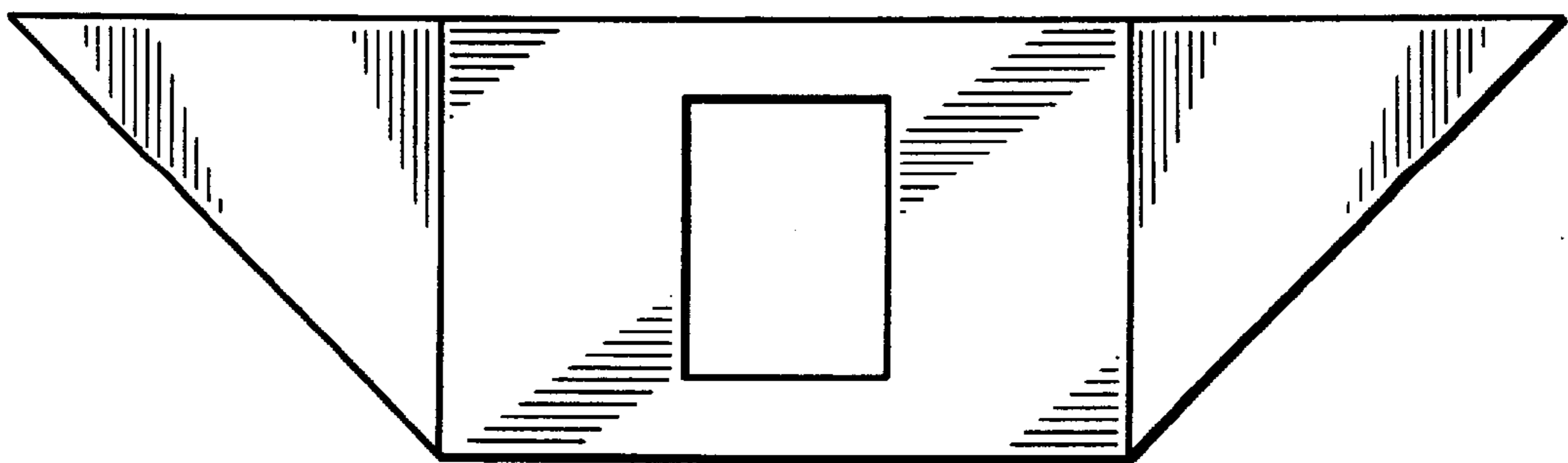


FIG._9