



US00D400285S

United States Patent [19]

Littman et al.

[11] **Patent Number: Des. 400,285**

[45] **Date of Patent: **Oct. 27, 1998**

[54] **LIGHTING FIXTURE**

[75] Inventors: **Sandra E. Littman; Kirina S. Kaufman**, both of New York, N.Y.

[73] Assignee: **Sandy Littman, Inc.**, New York, N.Y.

[**] Term: **14 Years**

[21] Appl. No.: **78,086**

[22] Filed: **Oct. 17, 1997**

Related U.S. Application Data

[62] Division of Ser. No. 48,318, Dec. 26, 1995, Pat. No. Des. 386,806.

[51] **LOC (6) Cl. 26-05**

[52] **U.S. Cl. D26/87**

[58] **Field of Search D26/72, 80-92; 362/147, 432**

[56] References Cited

PUBLICATIONS

Dunning Industries lighting catalog, p. 62, wall lamp #78-618, Mar. 1973.

Home Lighting and Accessories, p. 125, wall sconce, Sep. 1993.

Home Lighting and Accessories, p. 78, rectangular lamp shade, May 1994.

Railley Corp. lighting catalog, p. 3, wall lamp #601, Jan. 1938.

Primary Examiner—Susan J. Lucas
Attorney, Agent, or Firm—Schweitzer Cornman Gross & Bondell LLP

[57] CLAIM

The ornamental design for a lighting fixture, as shown and described.

DESCRIPTION

FIG. 1 is a front elevational view embodying our design for a lighting fixture;

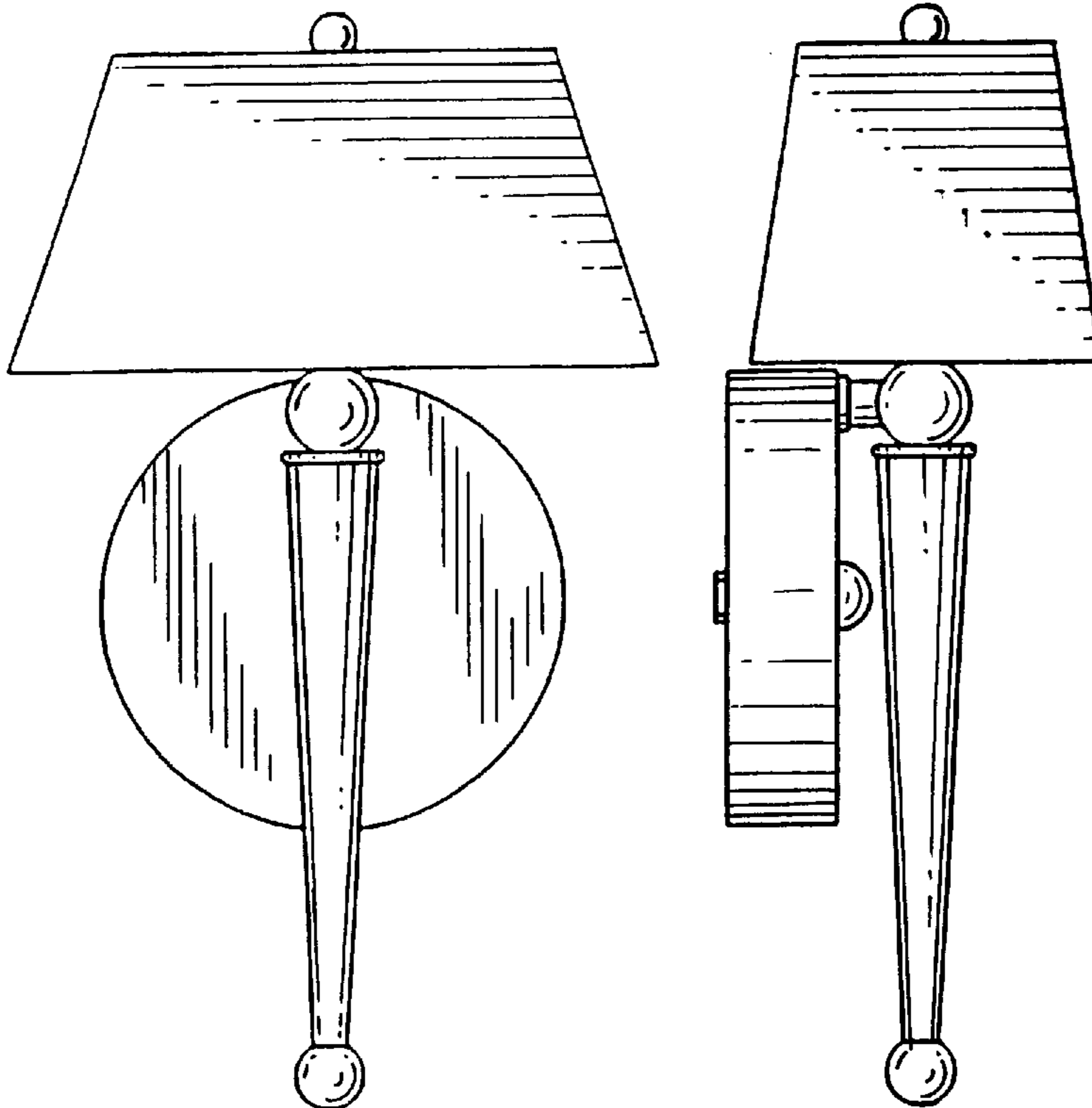
FIG. 2 is a side elevational view thereof, the opposite side being a mirror image;

FIG. 3 is a rear elevational view thereof;

FIG. 4 is a top view thereof; and,

FIG. 5 is a bottom view thereof.

1 Claim, 1 Drawing Sheet



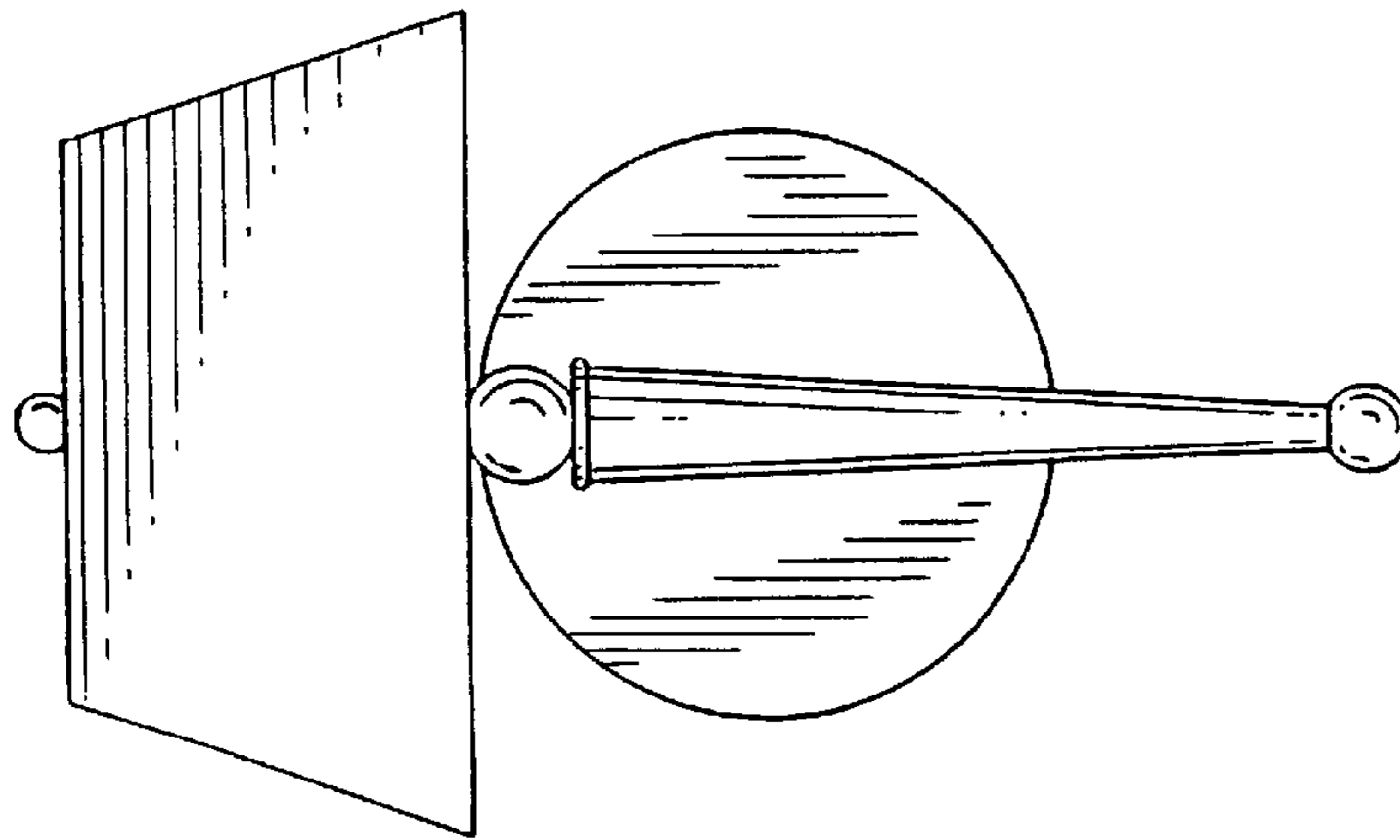
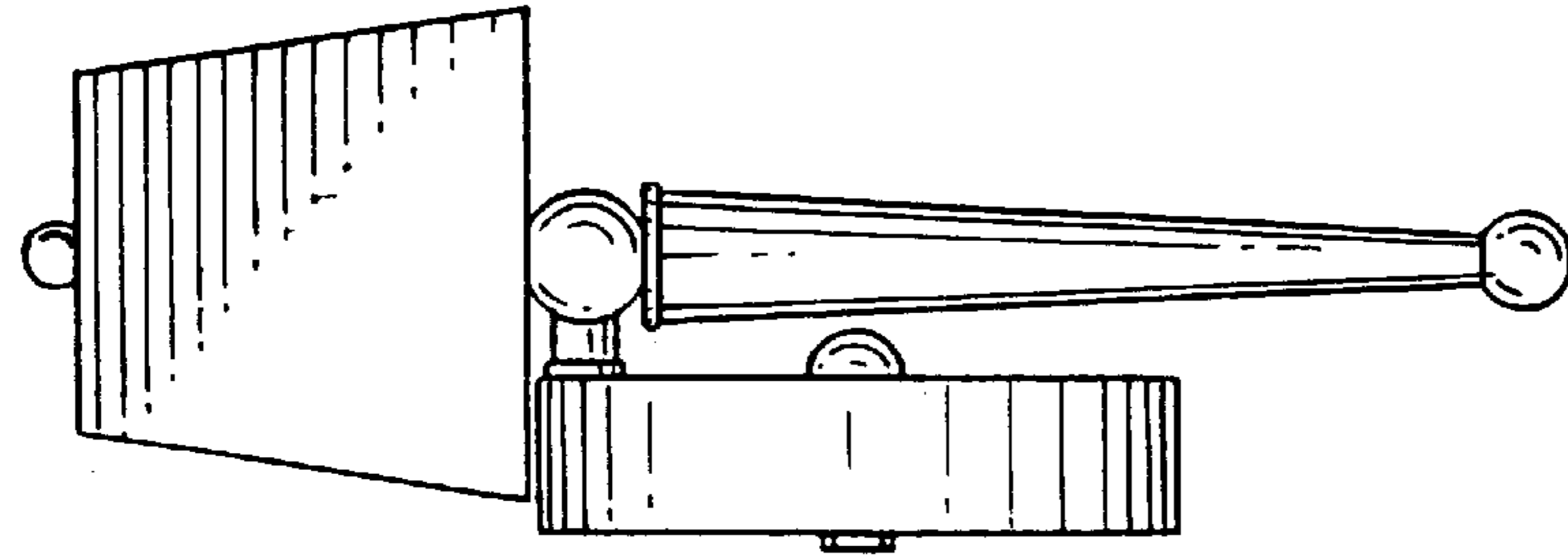
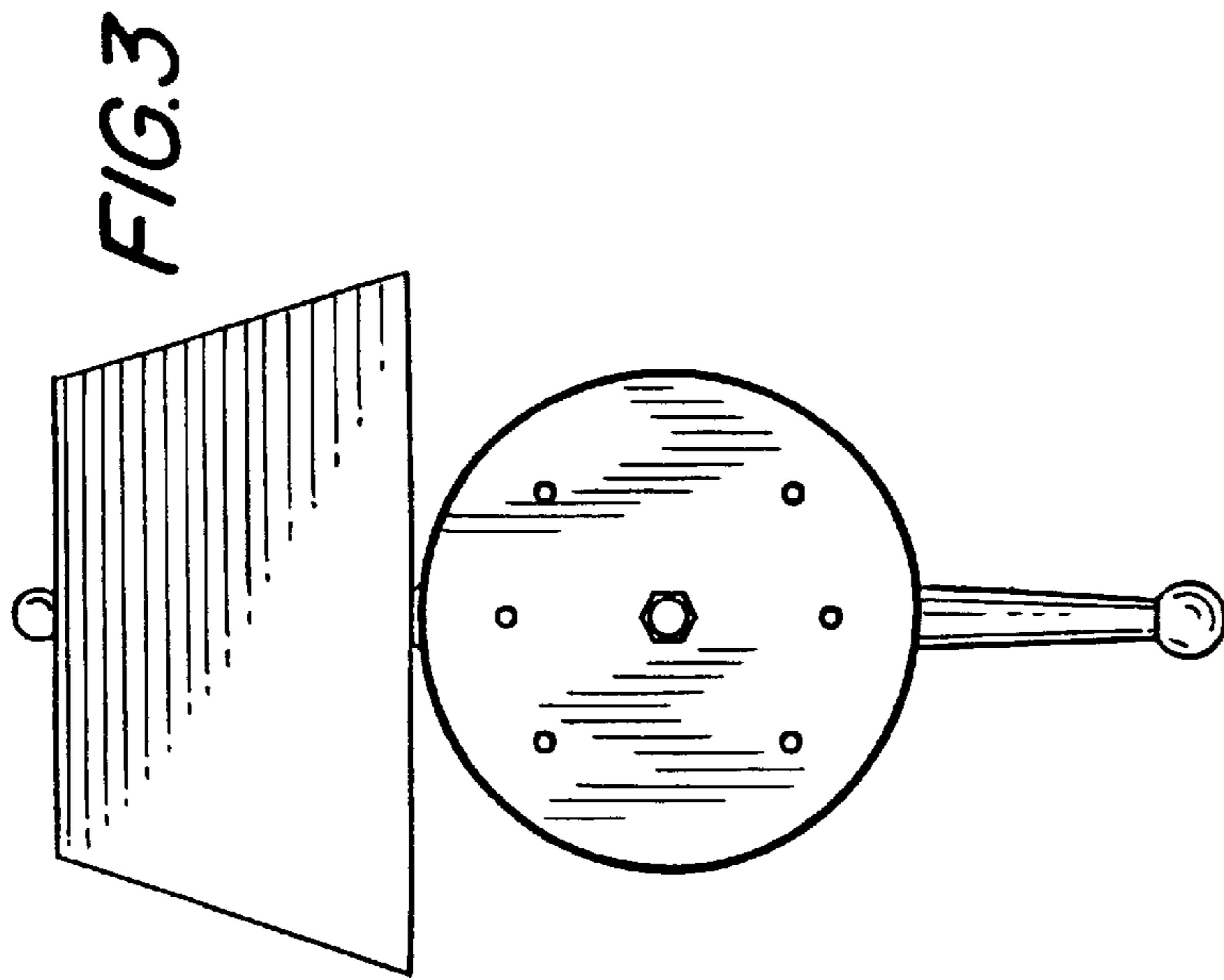


FIG. 1

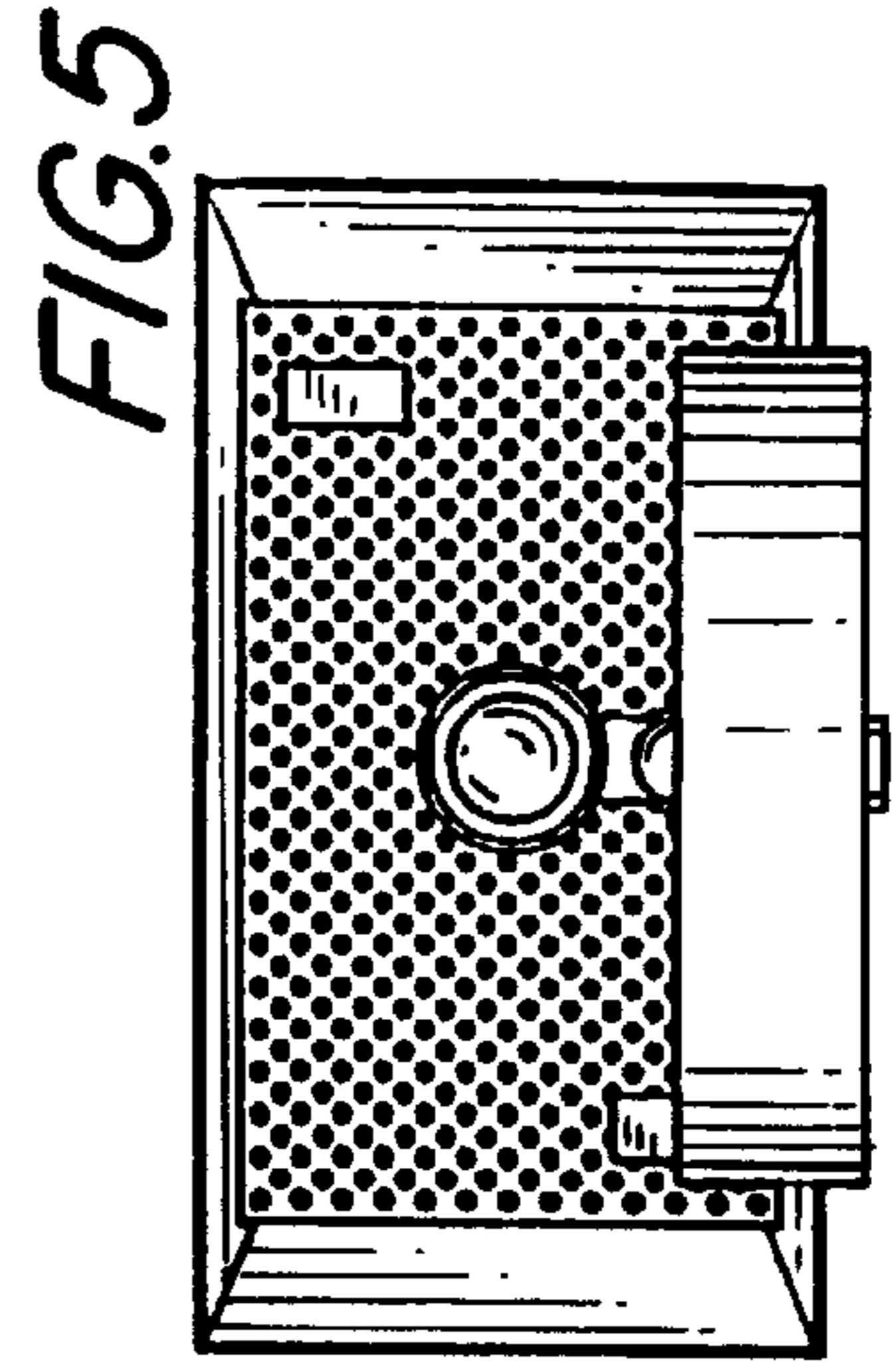


FIG. 2

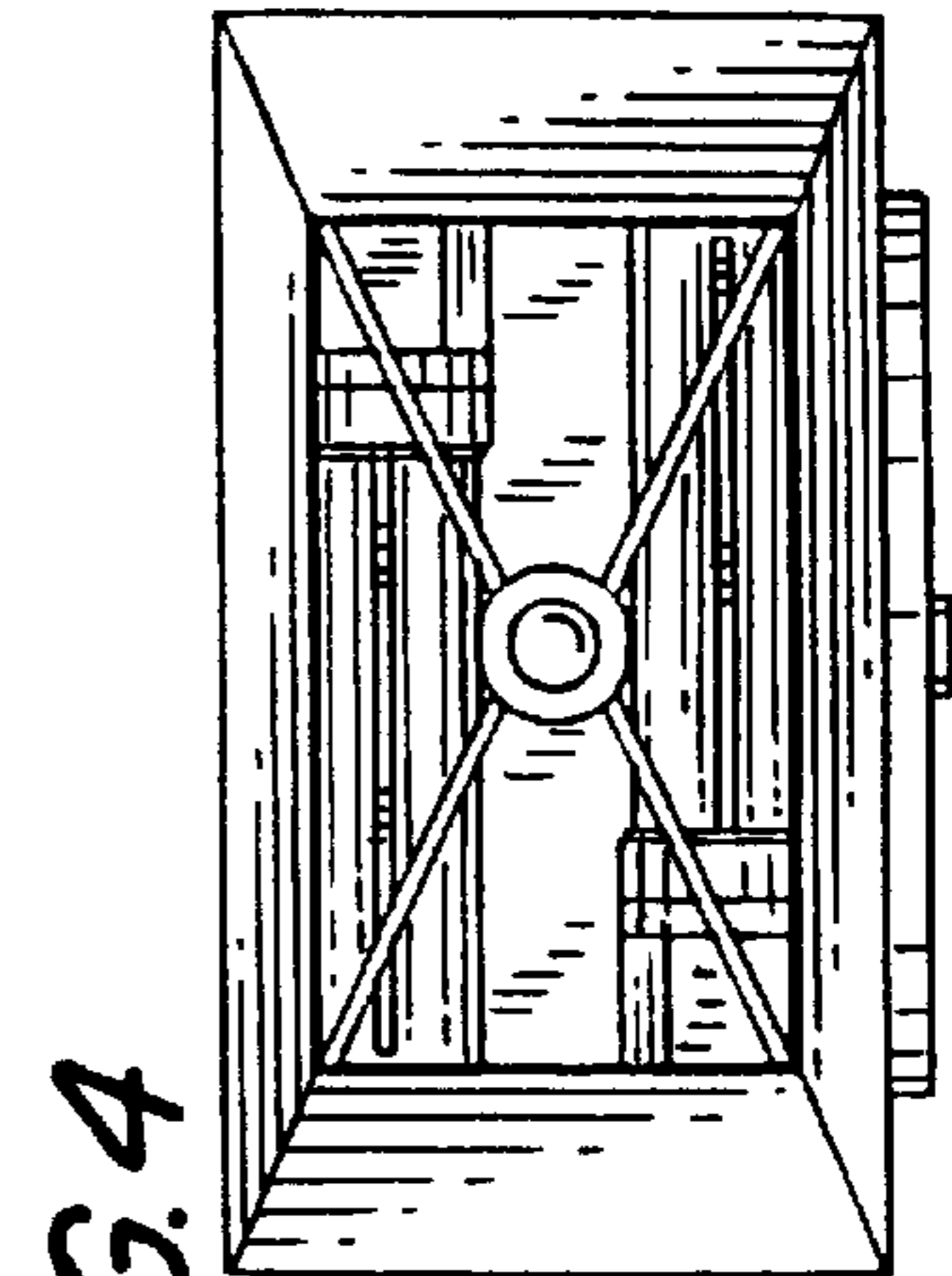


FIG. 3

FIG. 4

FIG. 5