



US00D400282S

# United States Patent [19]

Stewart

[11] **Patent Number: Des. 400,282**

[45] **Date of Patent: \*\*Oct. 27, 1998**

[54] **DECORATIVE CHANDELIER WITH FIVE BRANCHES**

1,646,495 10/1927 Samuelson ..... 362/405

### OTHER PUBLICATIONS

[76] Inventor: **Alphonse Stewart**, Protections Equinox Int'l Inc., 4480, Cote-de-Liesse, Suite 224, Ville Mont-Royal, (Qc), Canada, H4N 2R1

Progress Lighting catalog, p. 2, chandelier #P4095-10, 1992.

*Primary Examiner*—Susan J. Lucas

[\*\*] Term: **14 Years**

### [57] CLAIM

[21] Appl. No.: **72,383**

I claim the ornamental design for a decorative chandelier with five branches, as shown and described.

[22] Filed: **Jun. 16, 1997**

### DESCRIPTION

### [30] Foreign Application Priority Data

Mar. 13, 1997 [CA] Canada ..... 1997-0622

FIG. 1 is a front view of a decorative chandelier with five branches showing my new design;

[51] **LOC (6) Cl.** ..... **26-05**

FIG. 2 is a bottom view thereof;

[52] **U.S. Cl.** ..... **D26/86; D26/144**

FIG. 3 is a side view thereof, the opposite side being a mirror image, and,

[58] **Field of Search** ..... D26/72, 80-92, D26/140, 143, 138, 148, 157, 144, 141; 362/147, 404-408

FIG. 4 is a top view thereof.

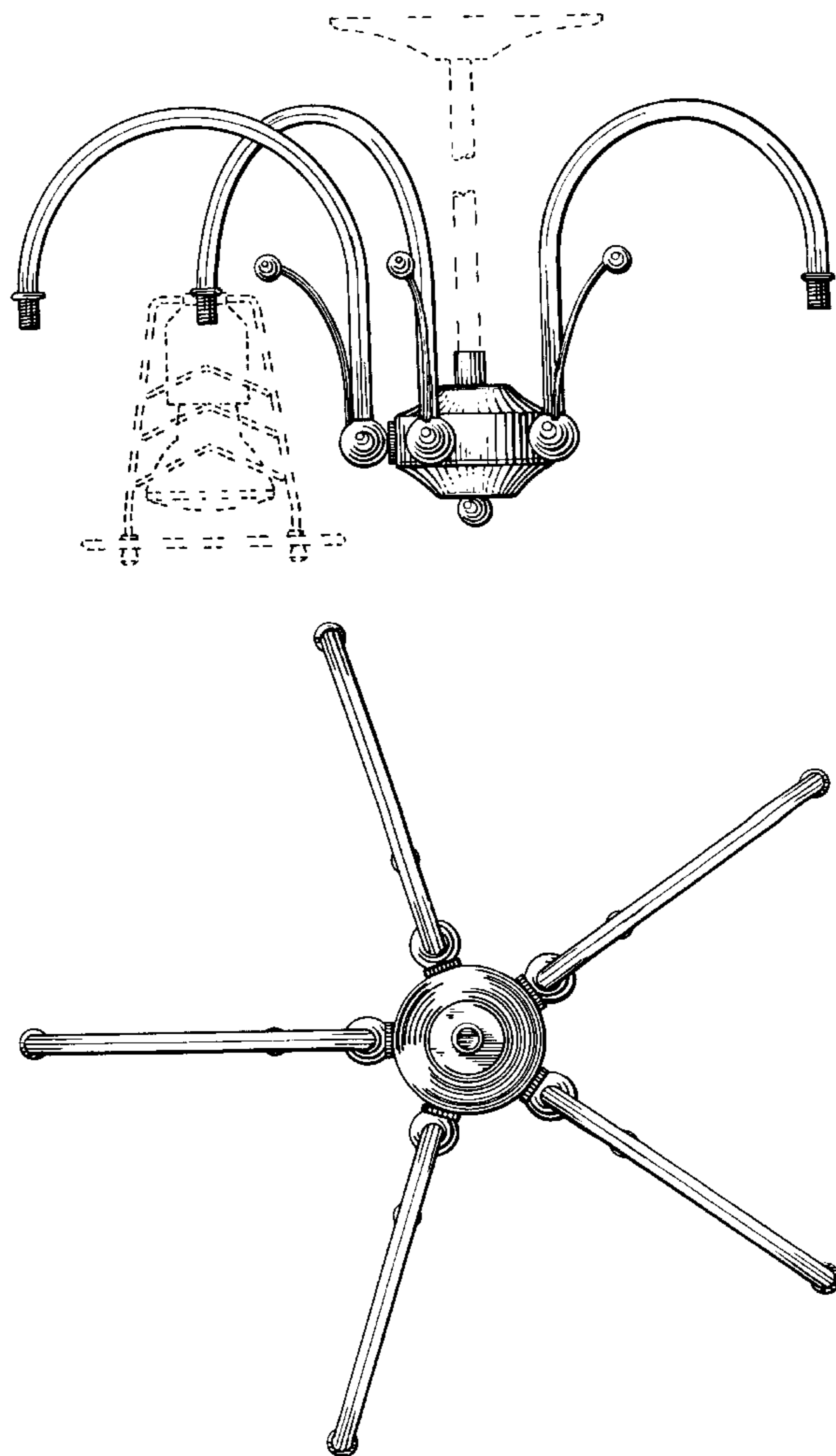
The broken lines showing of a decorative lamp, a central tube and a ceiling's lamp holder in FIG. 3 are for illustrative purposes only and form no part of the claimed design.

### [56] References Cited

#### U.S. PATENT DOCUMENTS

D. 372,552 8/1996 Porter ..... D26/81

**1 Claim, 2 Drawing Sheets**



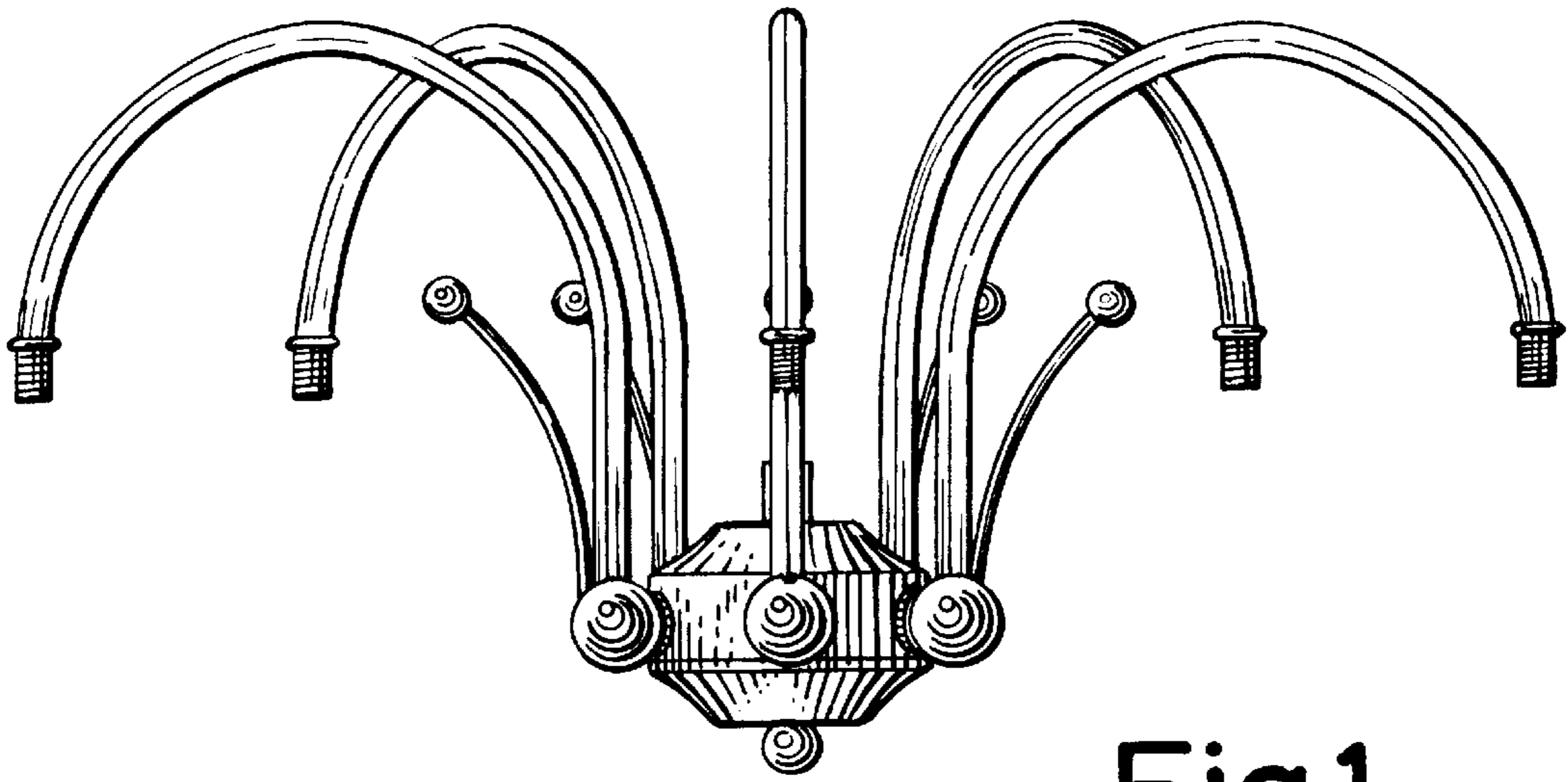


Fig.1

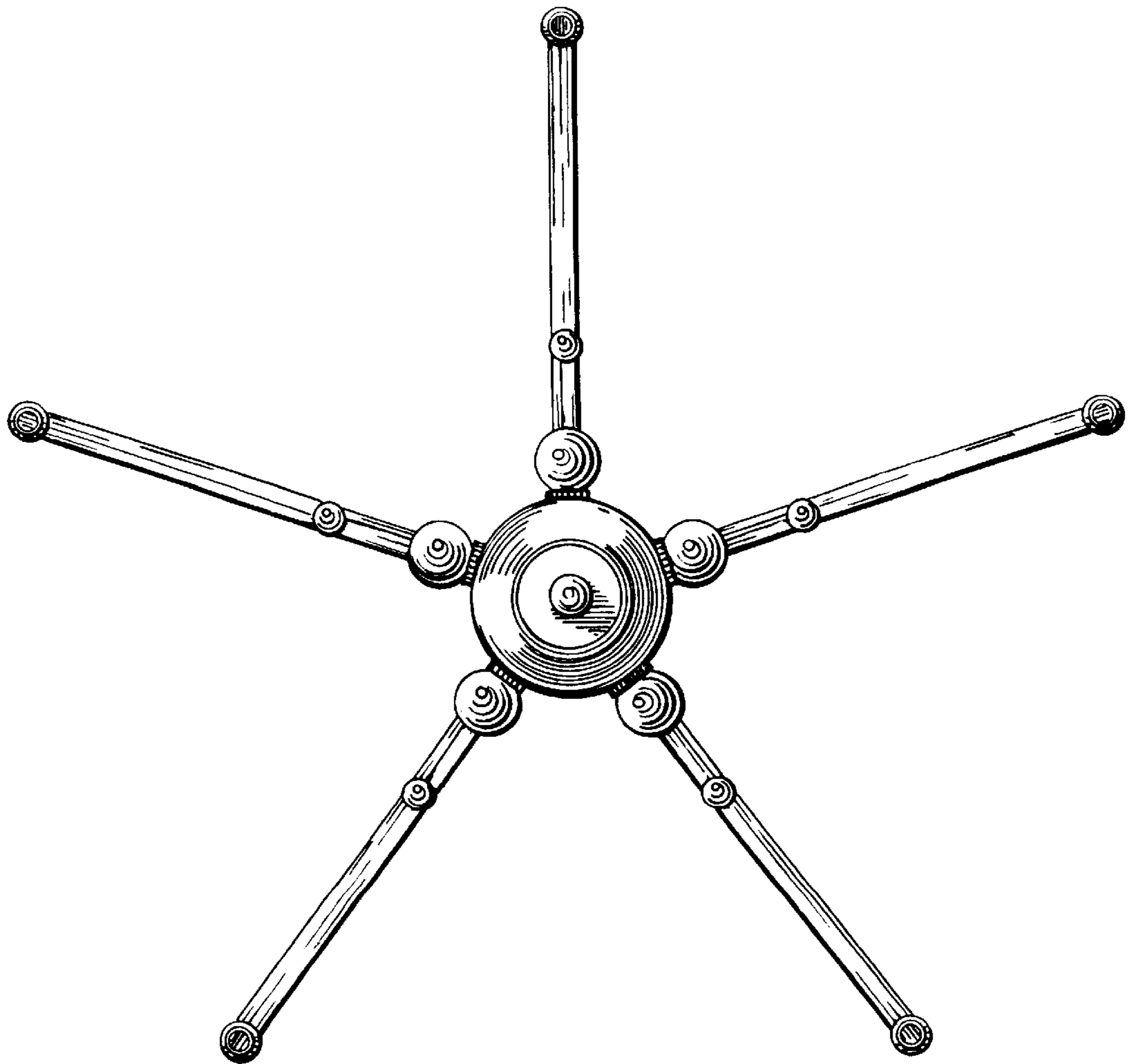


Fig.2

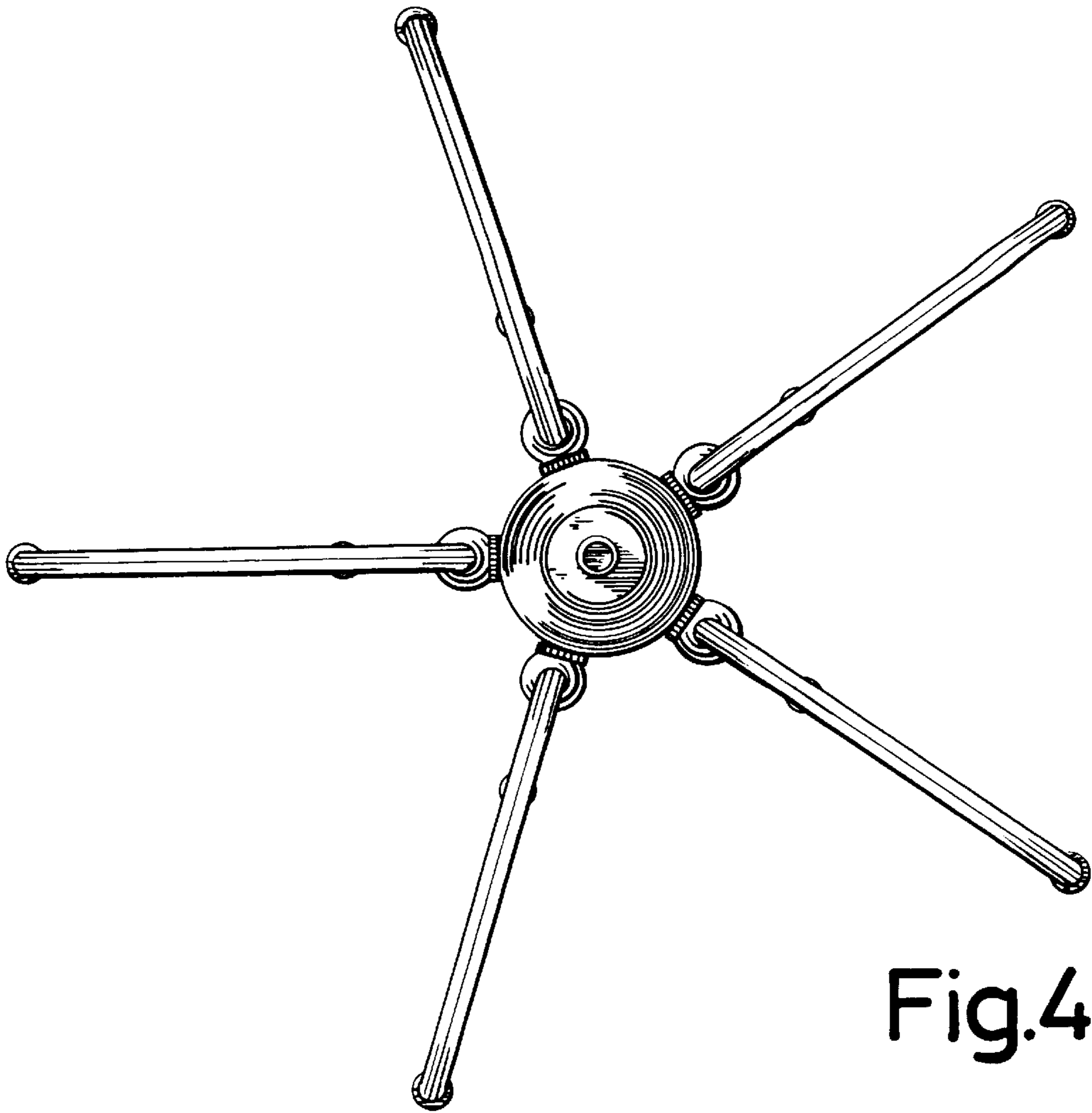


Fig.4

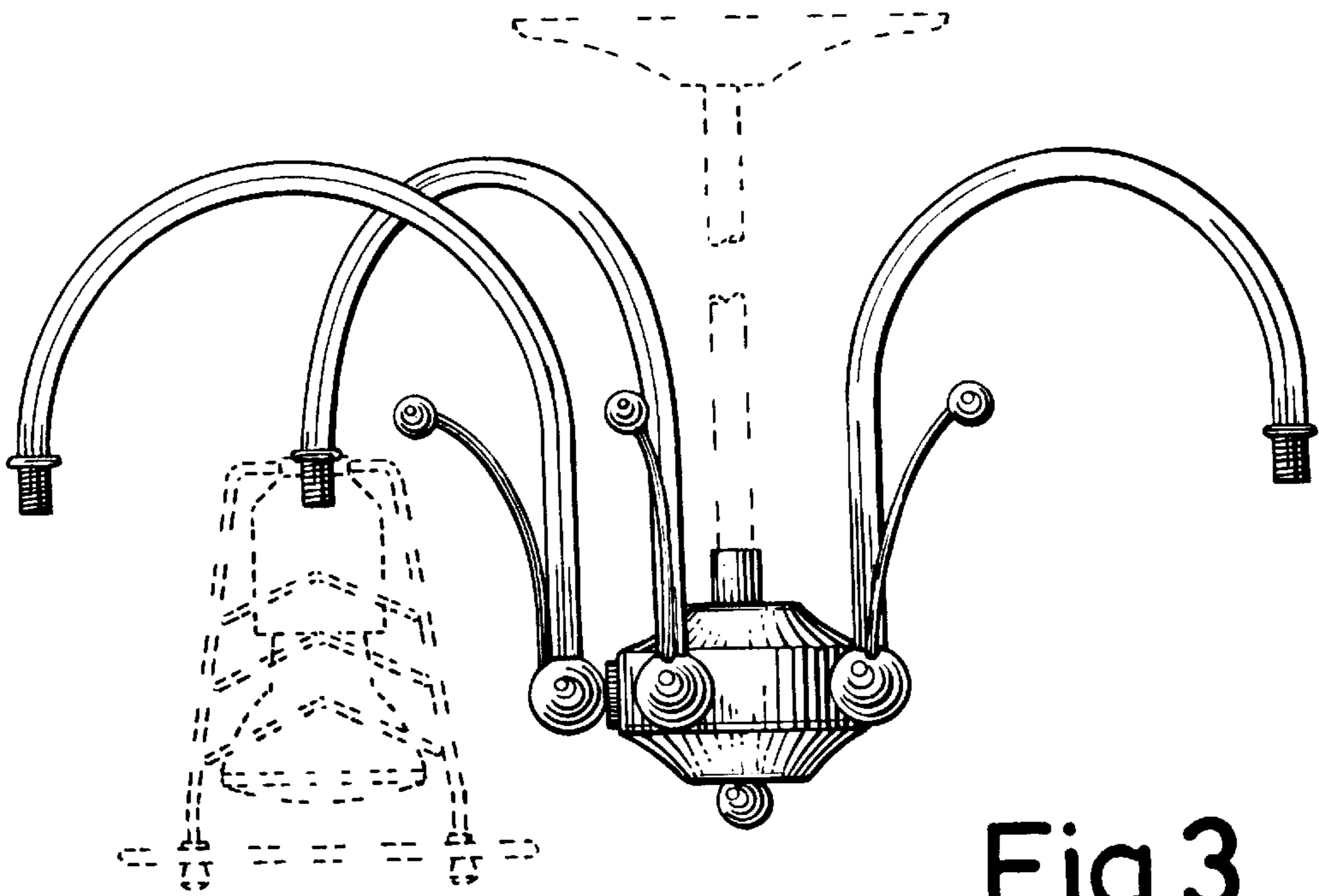


Fig.3