



US00D400280S

**United States Patent** [19]  
**Leen**

[11] **Patent Number: Des. 400,280**

[45] **Date of Patent: \*\*Oct. 27, 1998**

[54] **MERCURY VAPOR LIGHT**

[76] Inventor: **Monte A. Leen**, 1804 W. Lake  
Sammamish Pkwy. NE., Bellevue,  
Wash. 98008

[\*\*] Term: **14 Years**

[21] Appl. No.: **77,509**

[22] Filed: **Oct. 3, 1997**

[51] **LOC (6) Cl.** ..... **26-05**

[52] **U.S. Cl.** ..... **D26/71; D26/92**

[58] **Field of Search** ..... D26/72, 87, 92,  
D26/128, 118; 362/147, 432, 431, 349,  
350, 341

[56] **References Cited**

**U.S. PATENT DOCUMENTS**

|            |         |                |       |           |
|------------|---------|----------------|-------|-----------|
| D. 329,714 | 9/1992  | McIngvale, Jr. | ..... | D26/71    |
| D. 358,226 | 5/1995  | Osteen         | ..... | D26/71    |
| 4,218,727  | 8/1980  | Shemitz et al. | ..... | 362/350 X |
| 4,423,471  | 12/1983 | Gordin et al.  | ..... | 362/350 X |
| 5,329,438  | 7/1994  | Thompson       | ..... | 362/350 X |

*Primary Examiner*—Susan J. Lucas  
*Attorney, Agent, or Firm*—Christensen, O'Connor, Johnson  
& Kindness PLLC

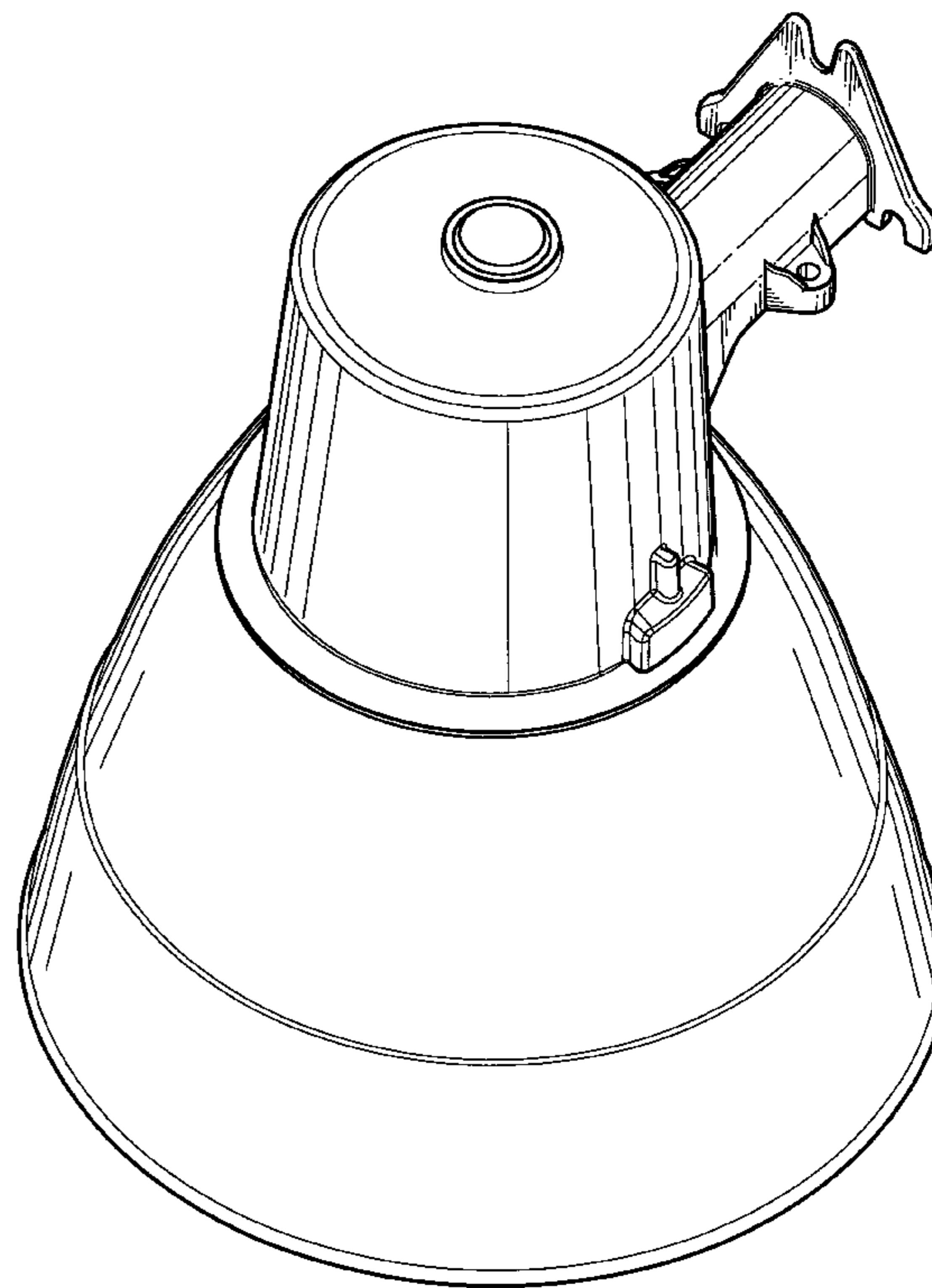
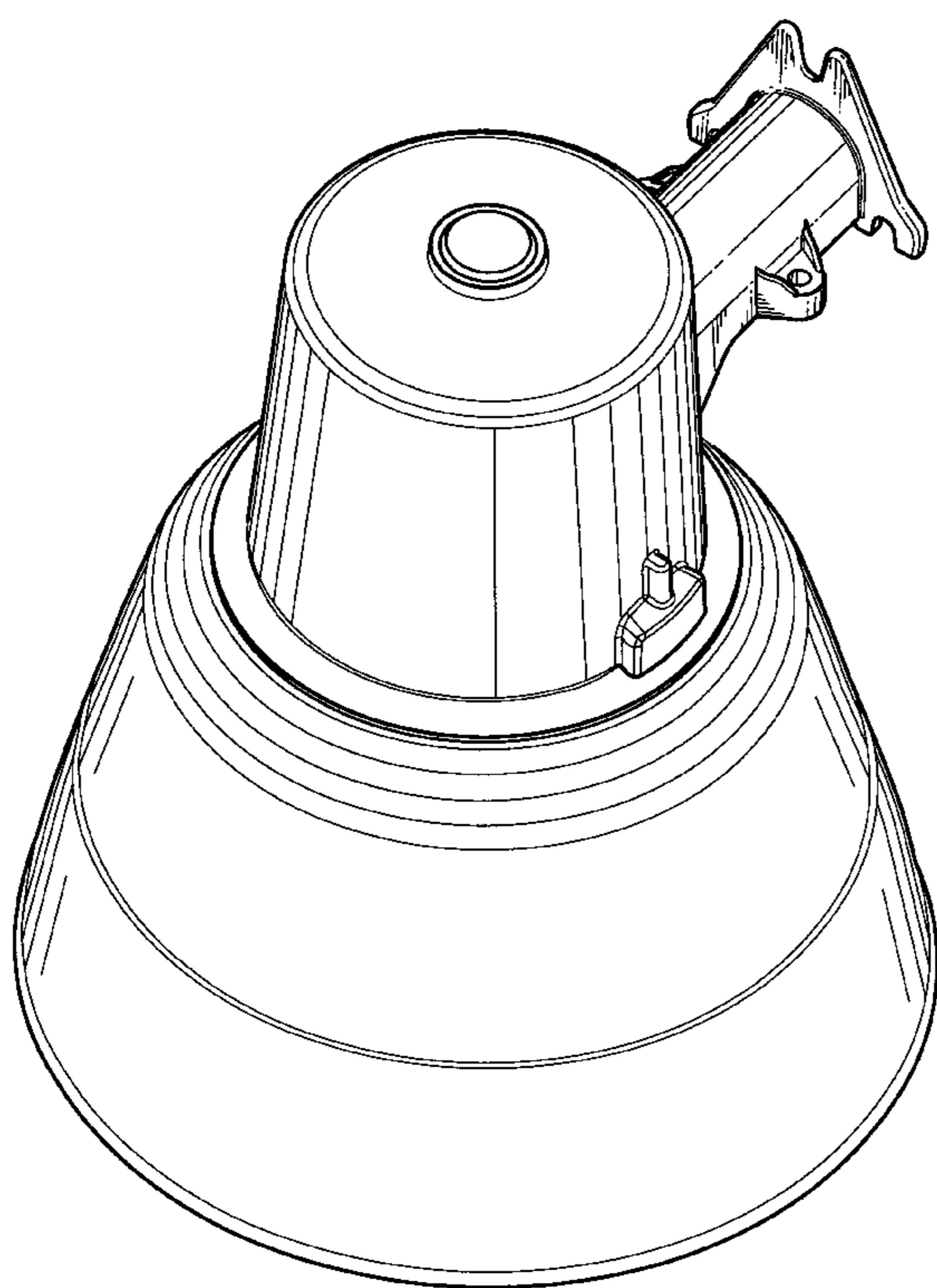
[57] **CLAIM**

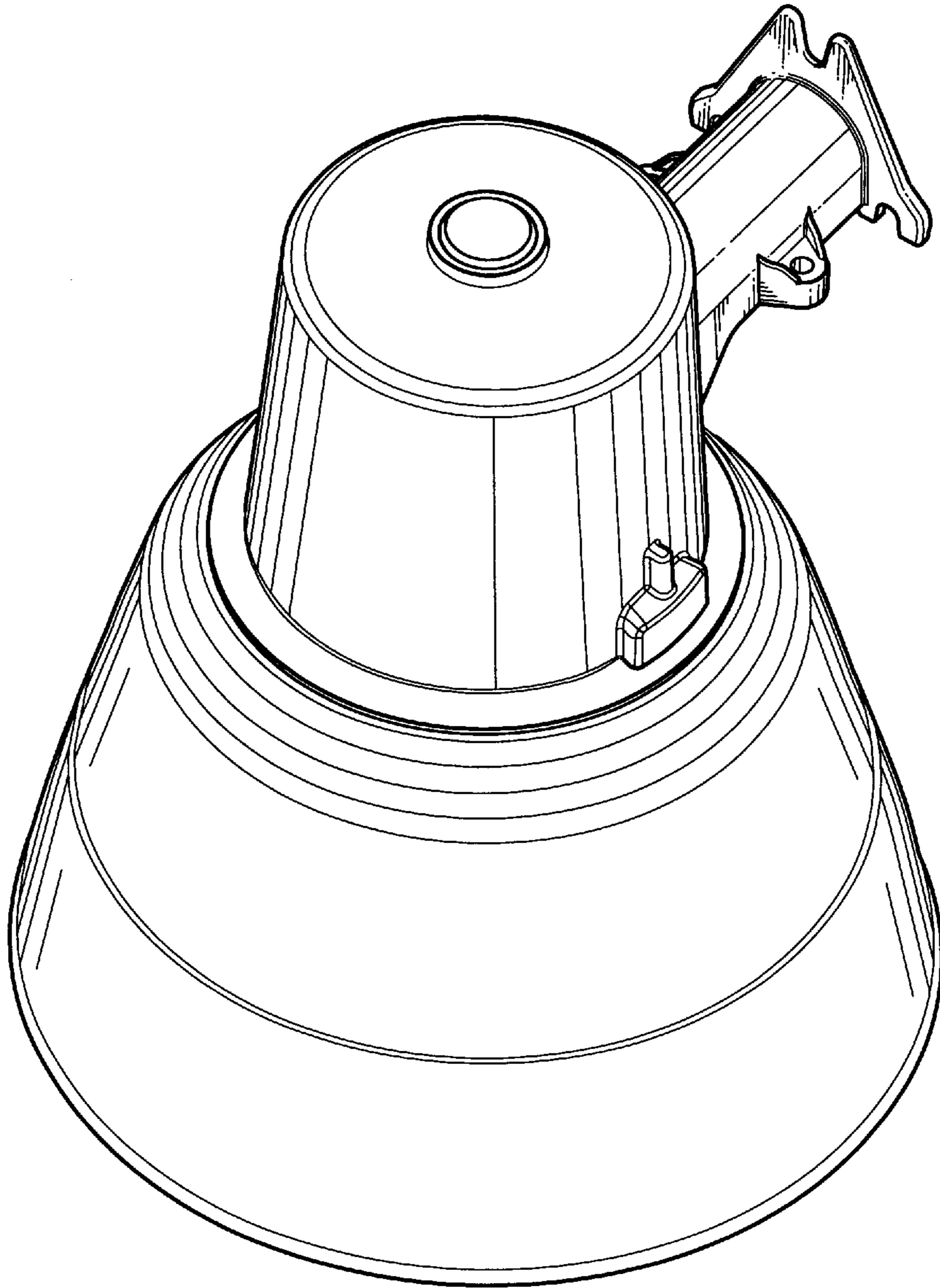
The ornamental design for a mercury vapor light, as shown and described.

**DESCRIPTION**

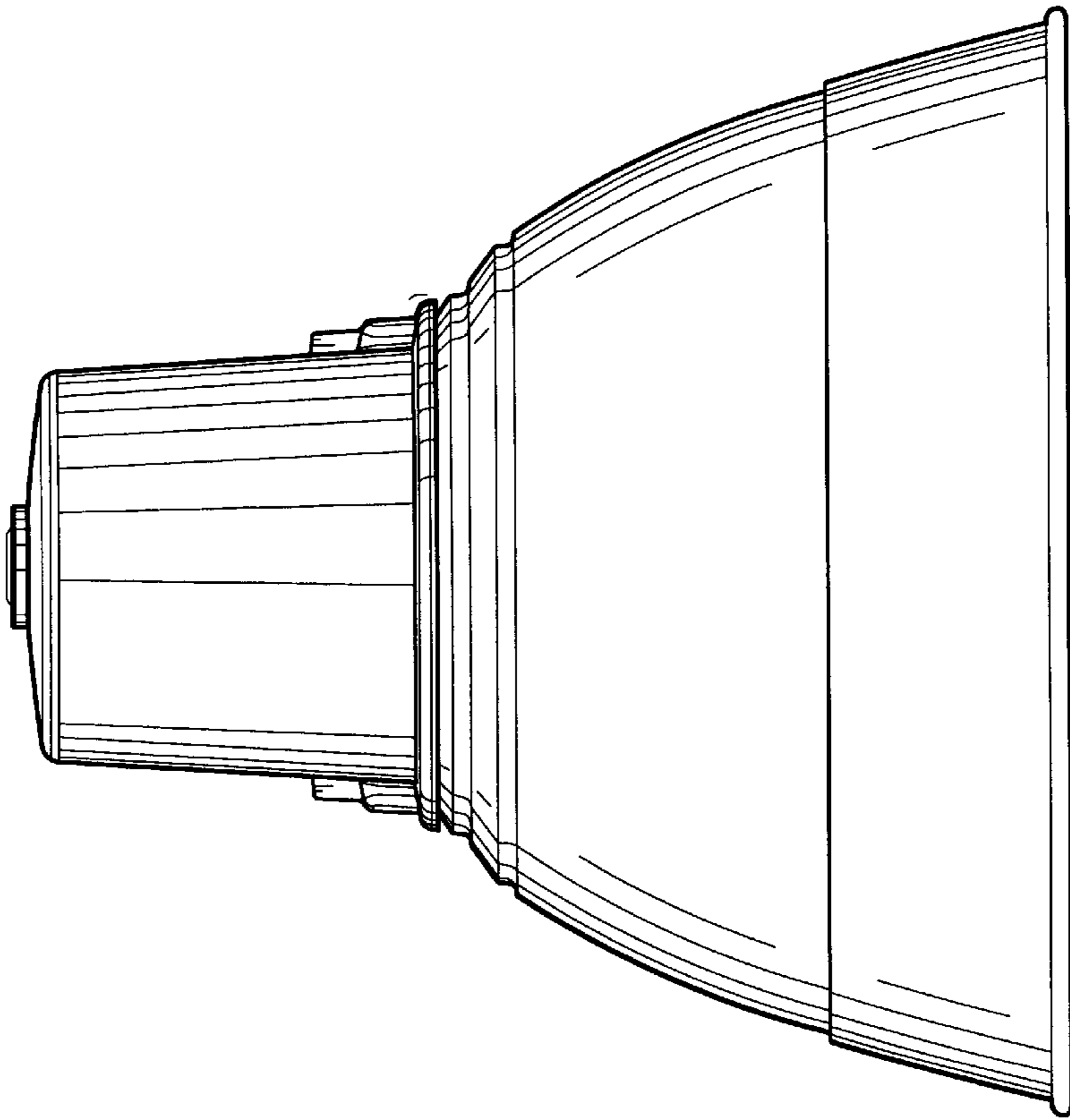
FIG. 1 is a top isometric view of one embodiment of a mercury vapor light showing my new design; FIG. 2 is a side elevational view thereof; FIG. 3 is a front elevational view thereof; FIG. 4 is a back elevational view thereof; FIG. 5 is a top plan view thereof; FIG. 6 is a bottom plan view thereof; FIG. 7 is a top isometric view of an alternative embodiment of a mercury vapor light showing my new design; FIG. 8 is a side elevational view thereof; FIG. 9 is a front elevational view thereof; FIG. 10 is a back elevational view thereof; FIG. 11 is a top plan view thereof; and, FIG. 12 is a bottom plan view thereof.

**1 Claim, 8 Drawing Sheets**

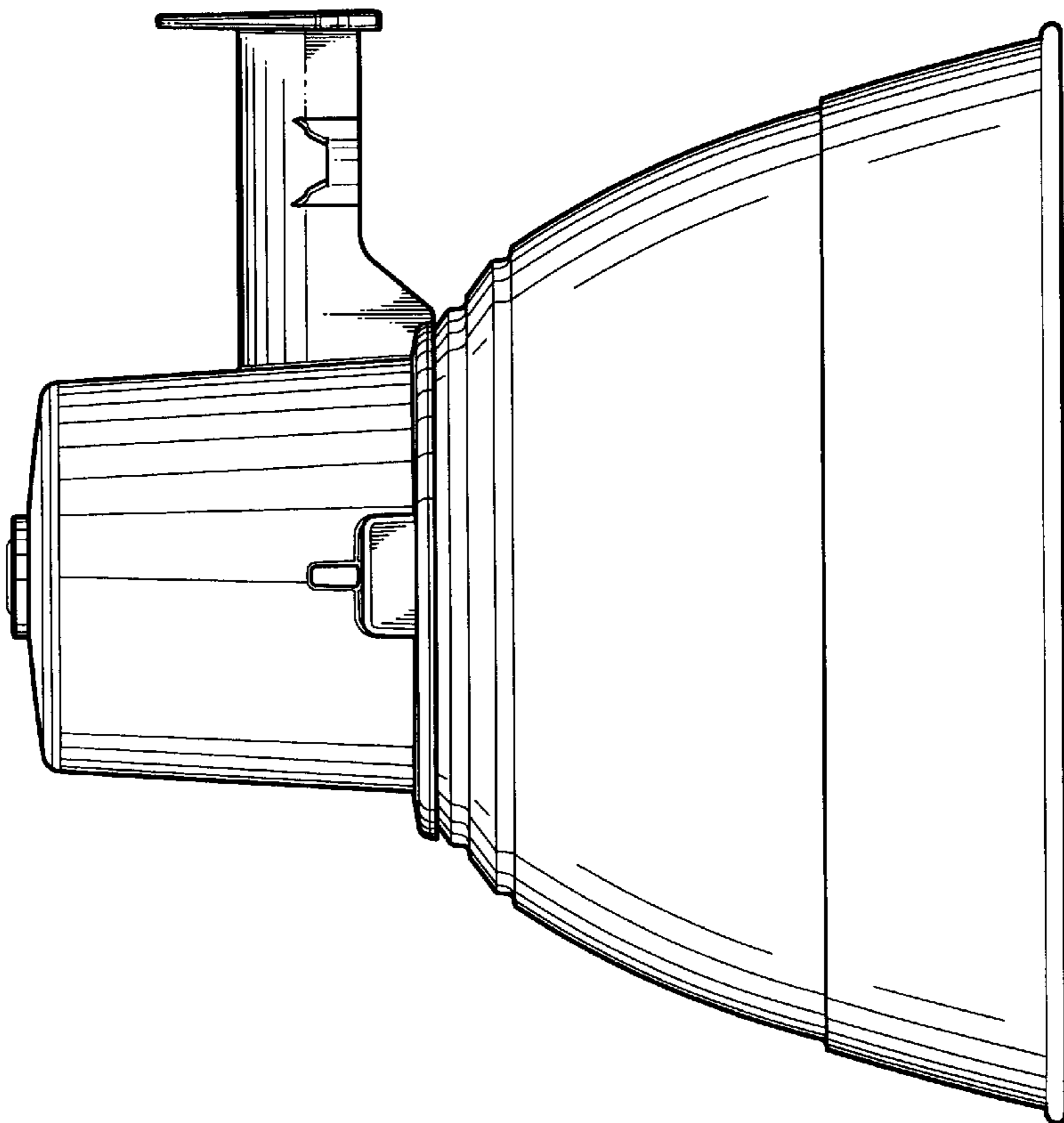




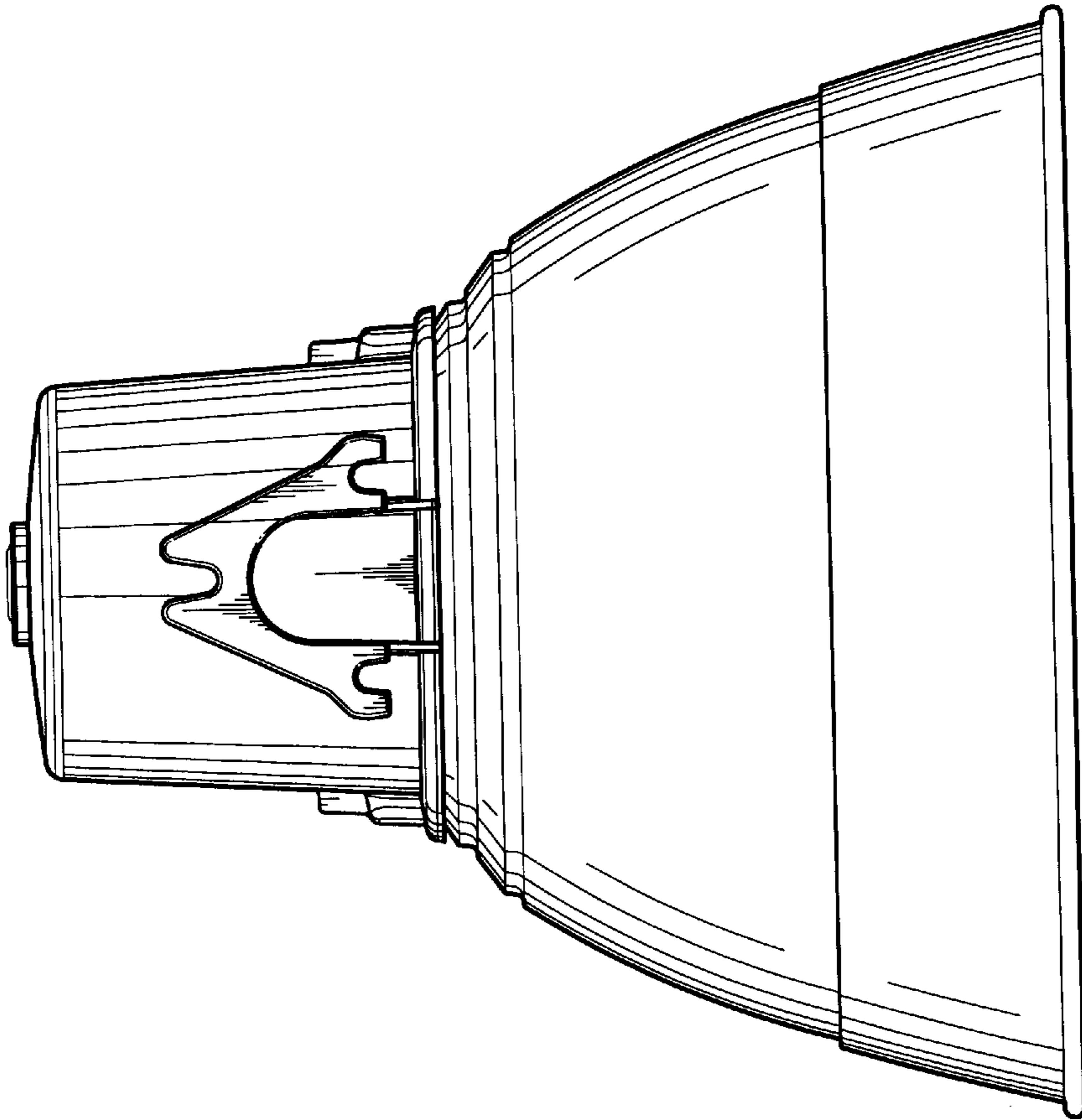
*Fig. 1.*



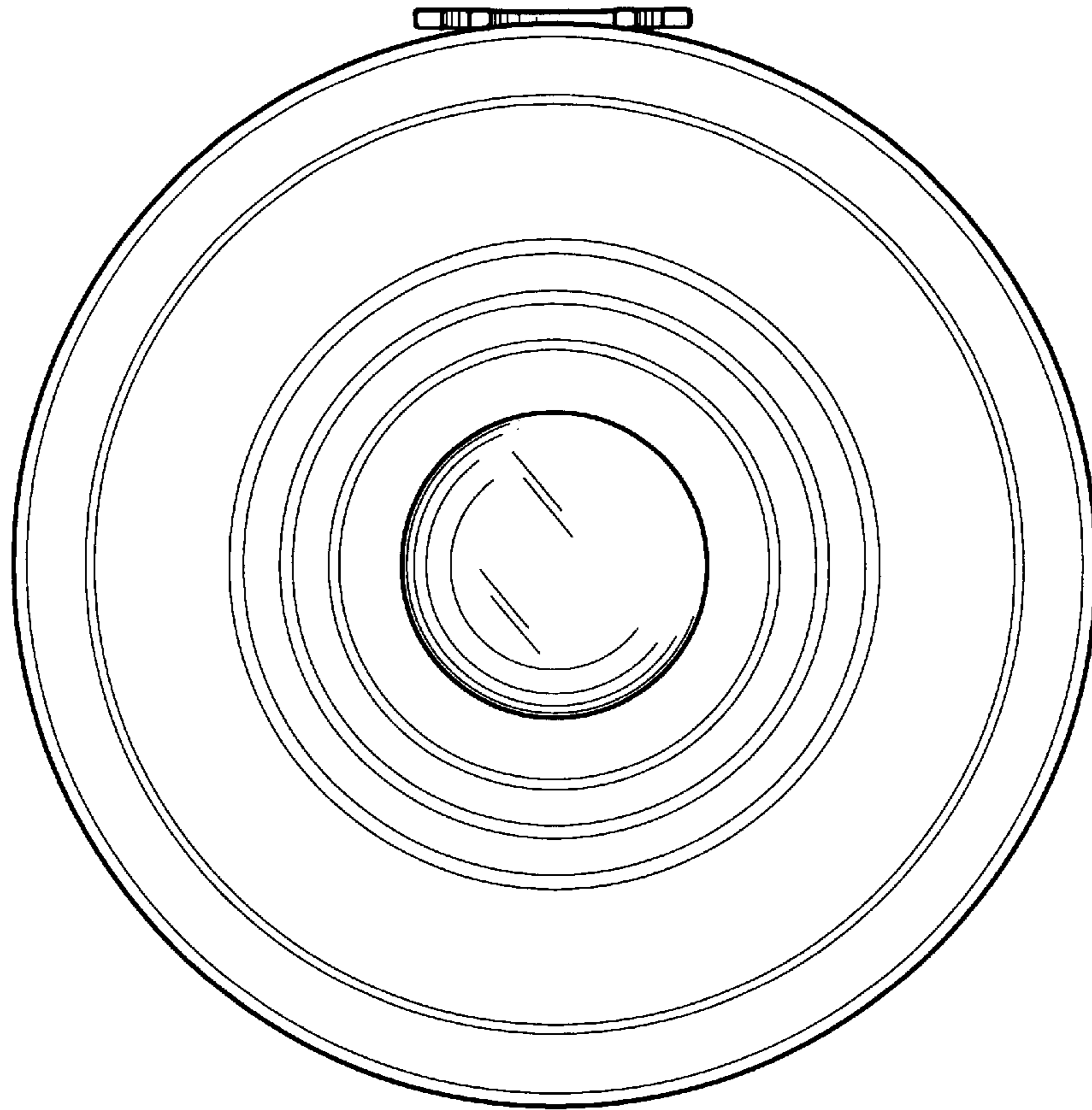
*Fig. 3.*



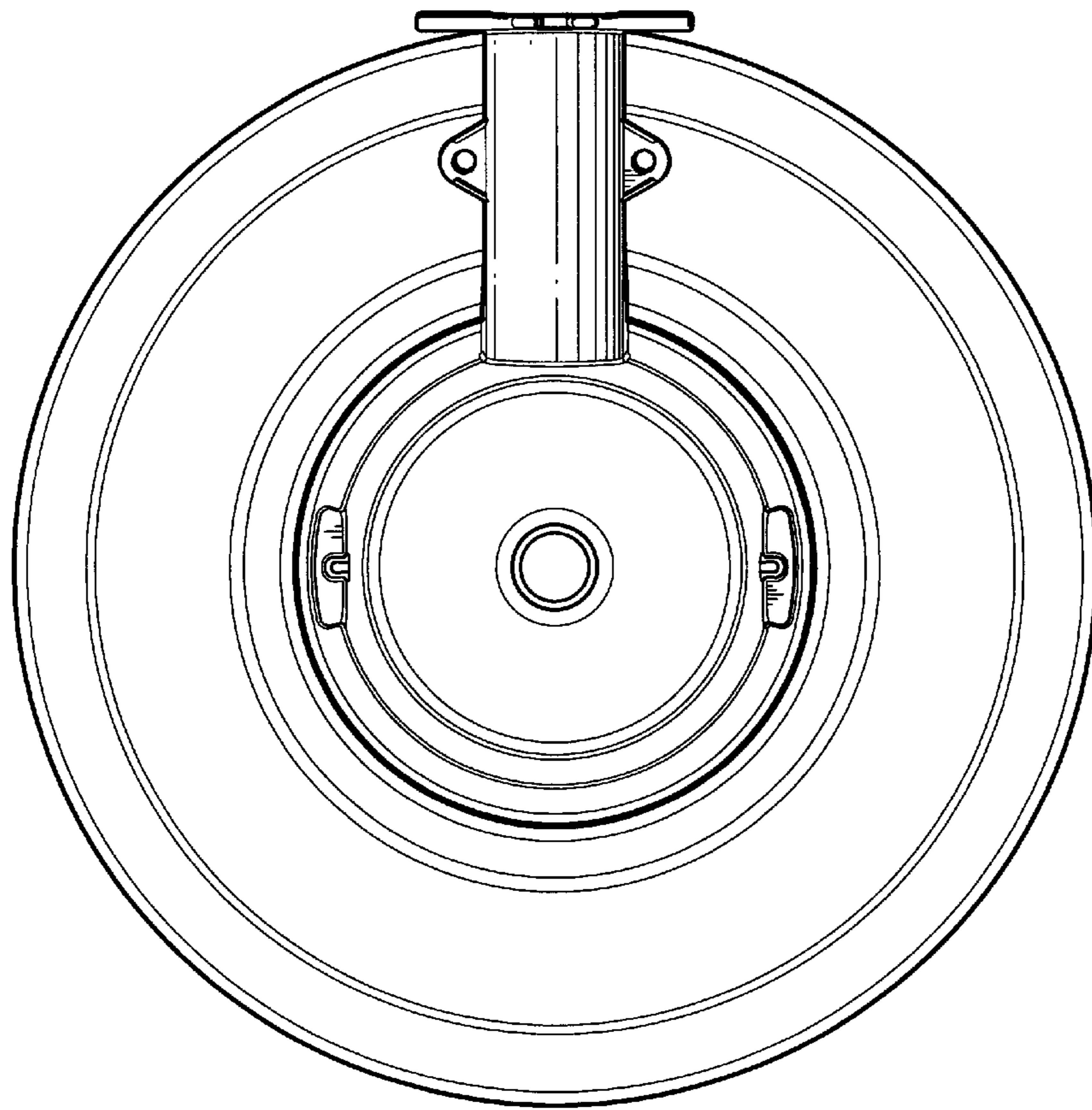
*Fig. 2.*



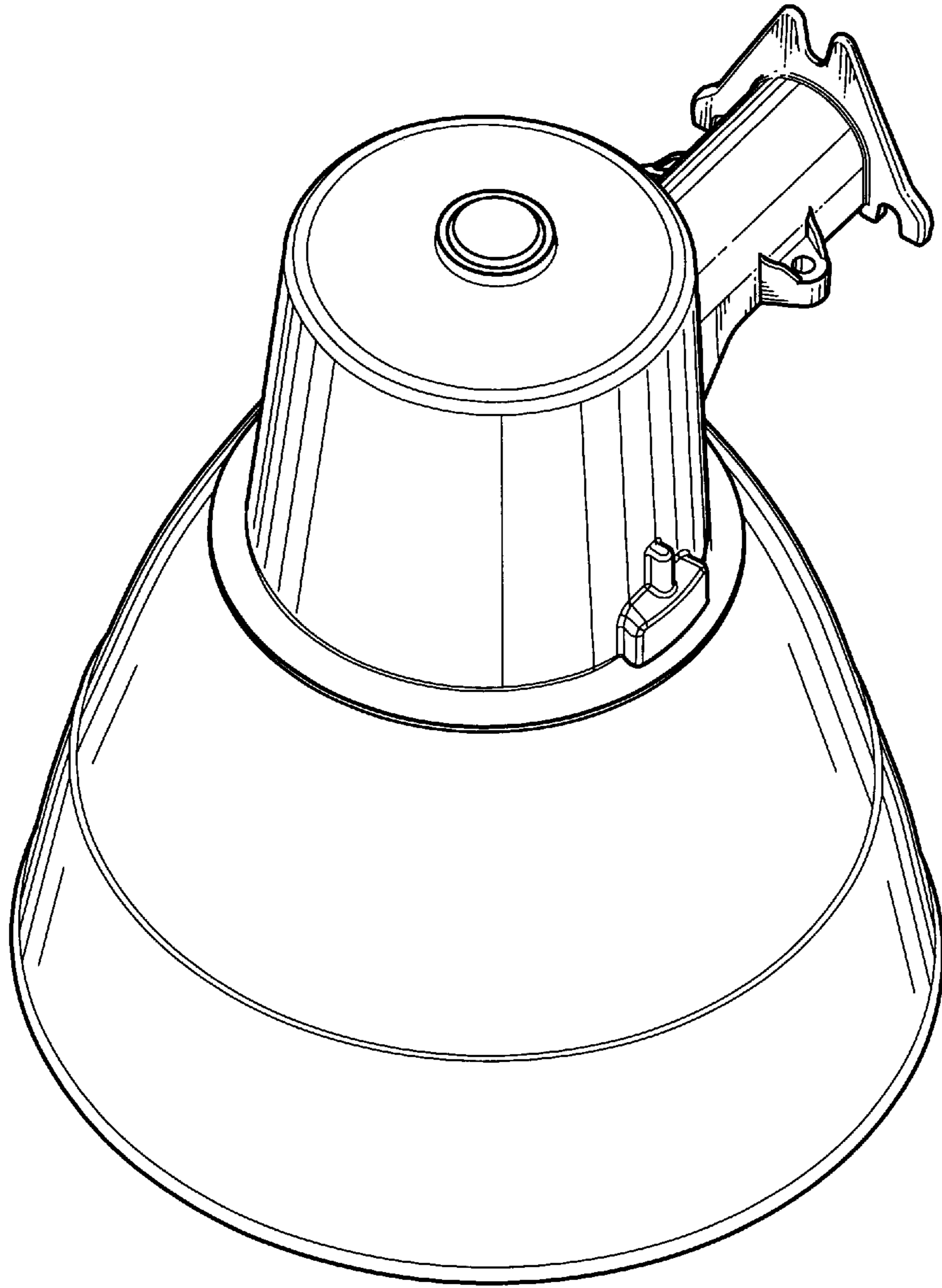
*Fig. 4.*



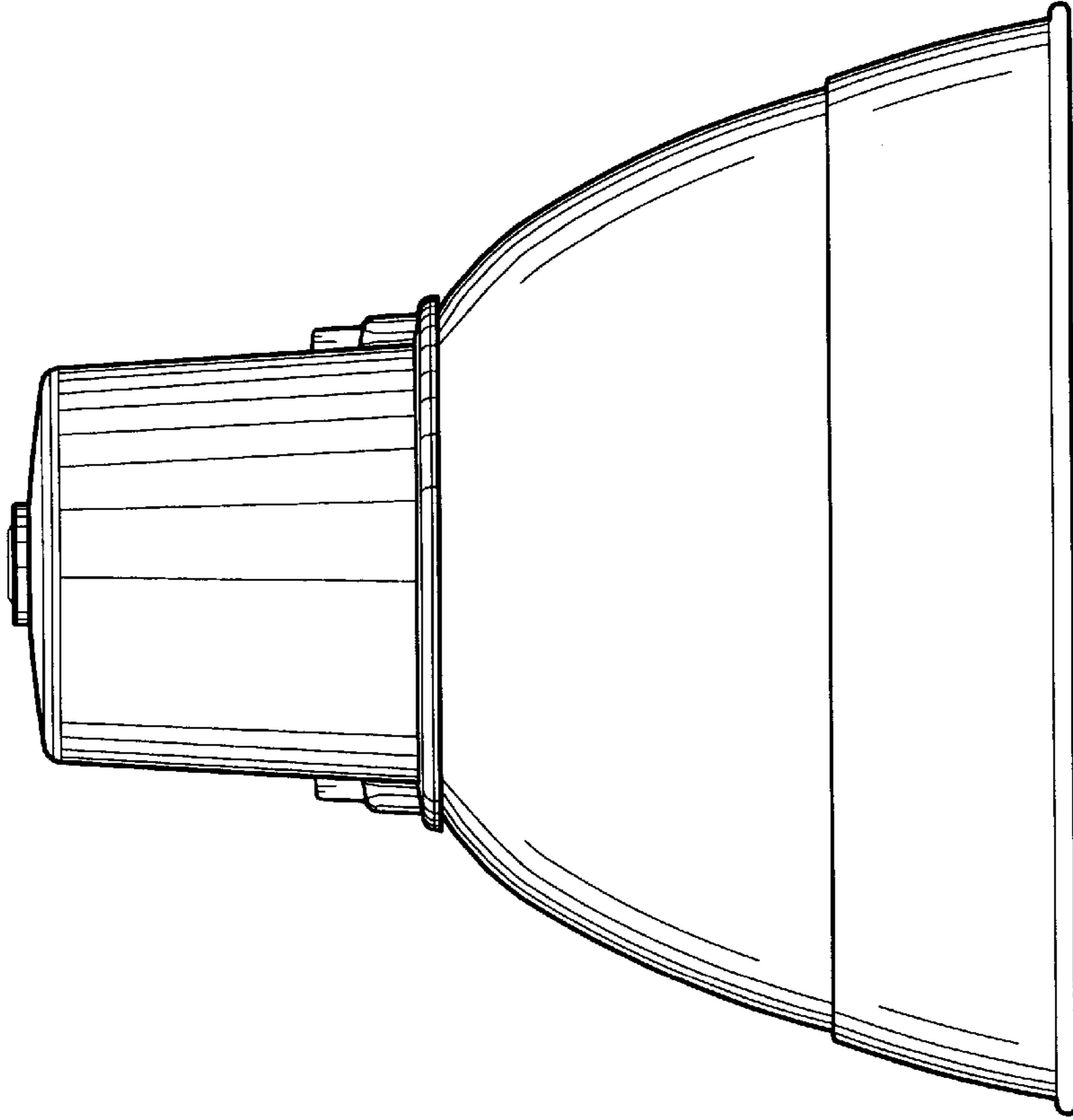
*Fig. 6.*



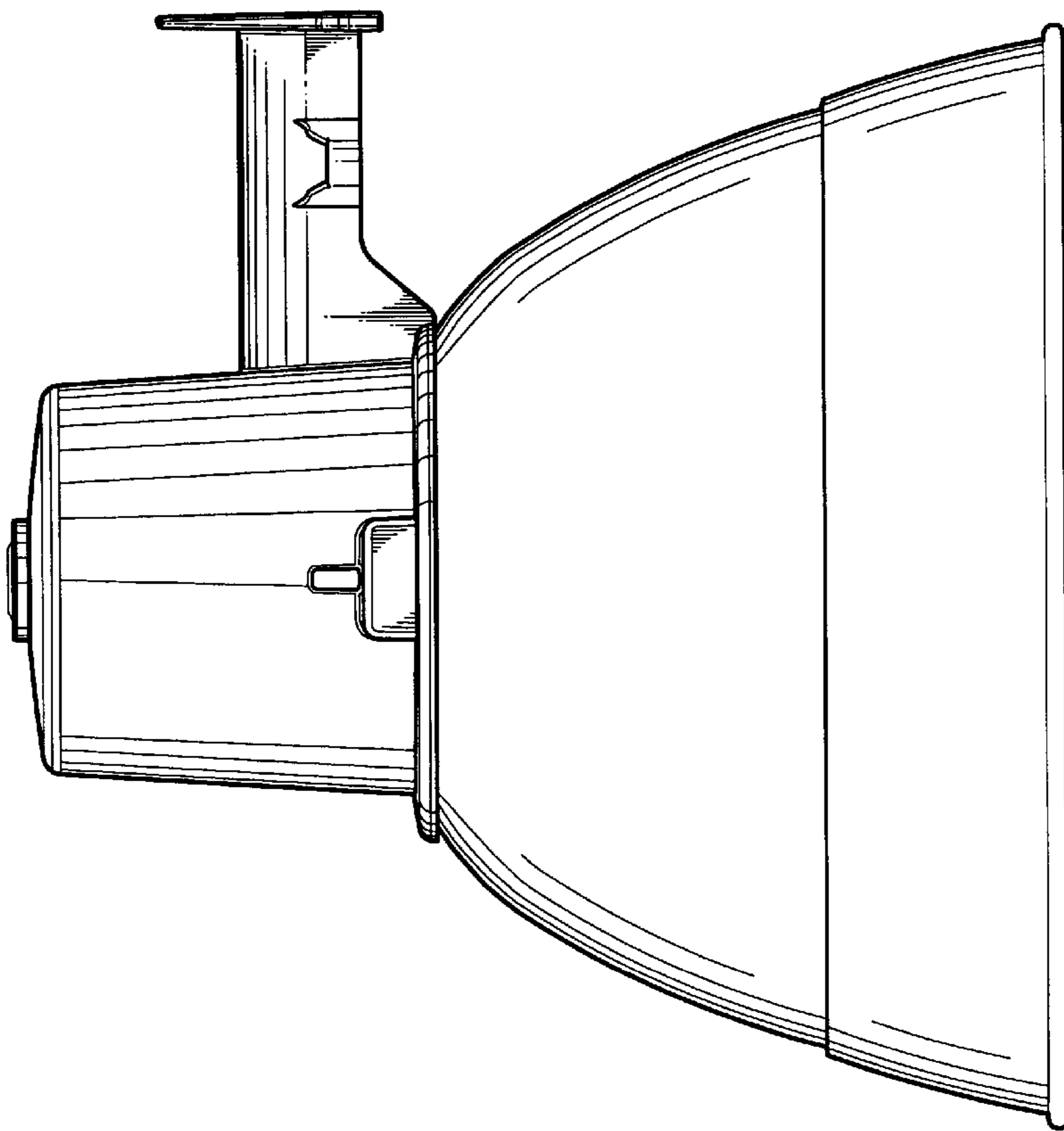
*Fig. 5.*



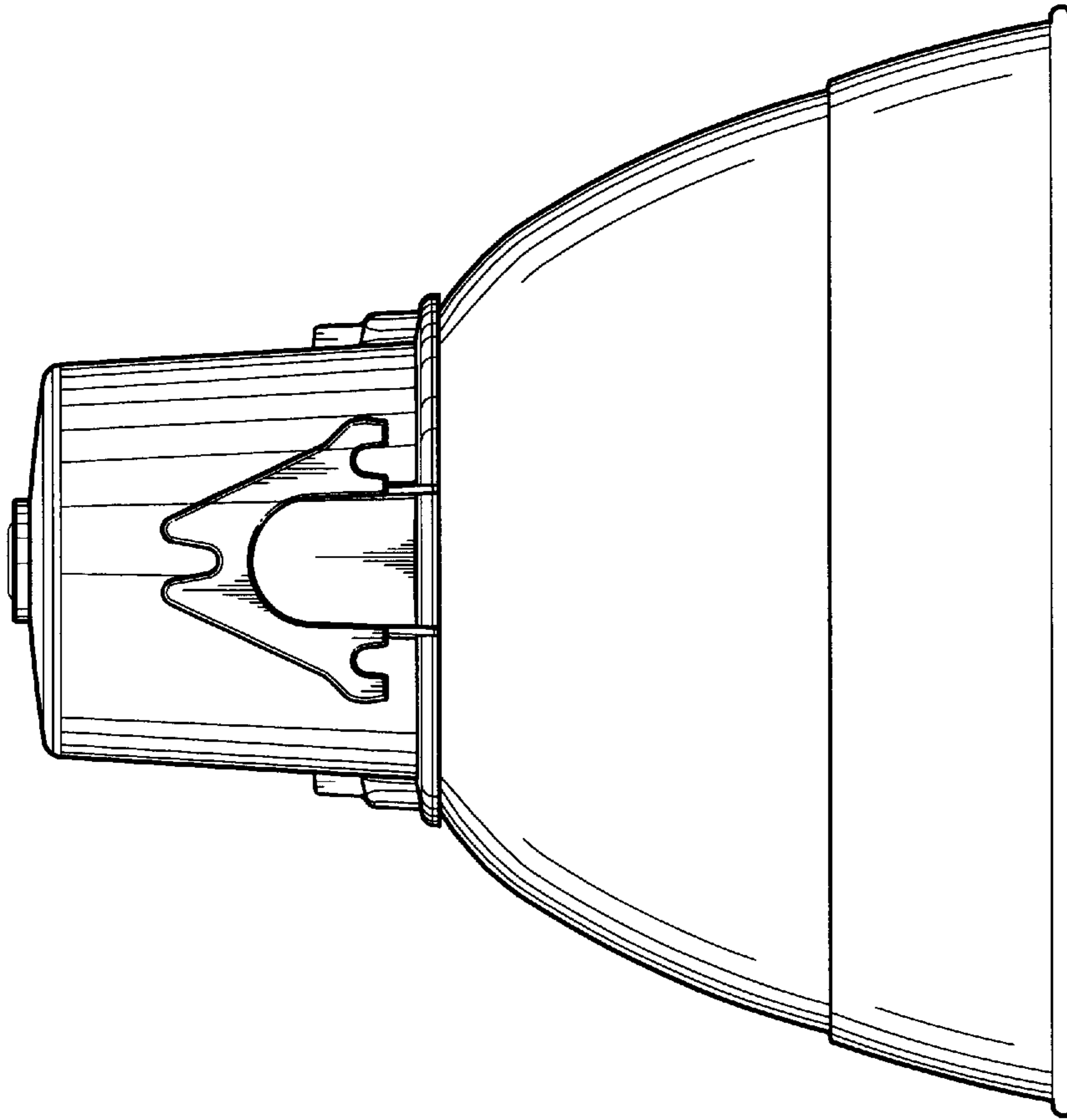
*Fig. 7.*



*Fig. 9.*

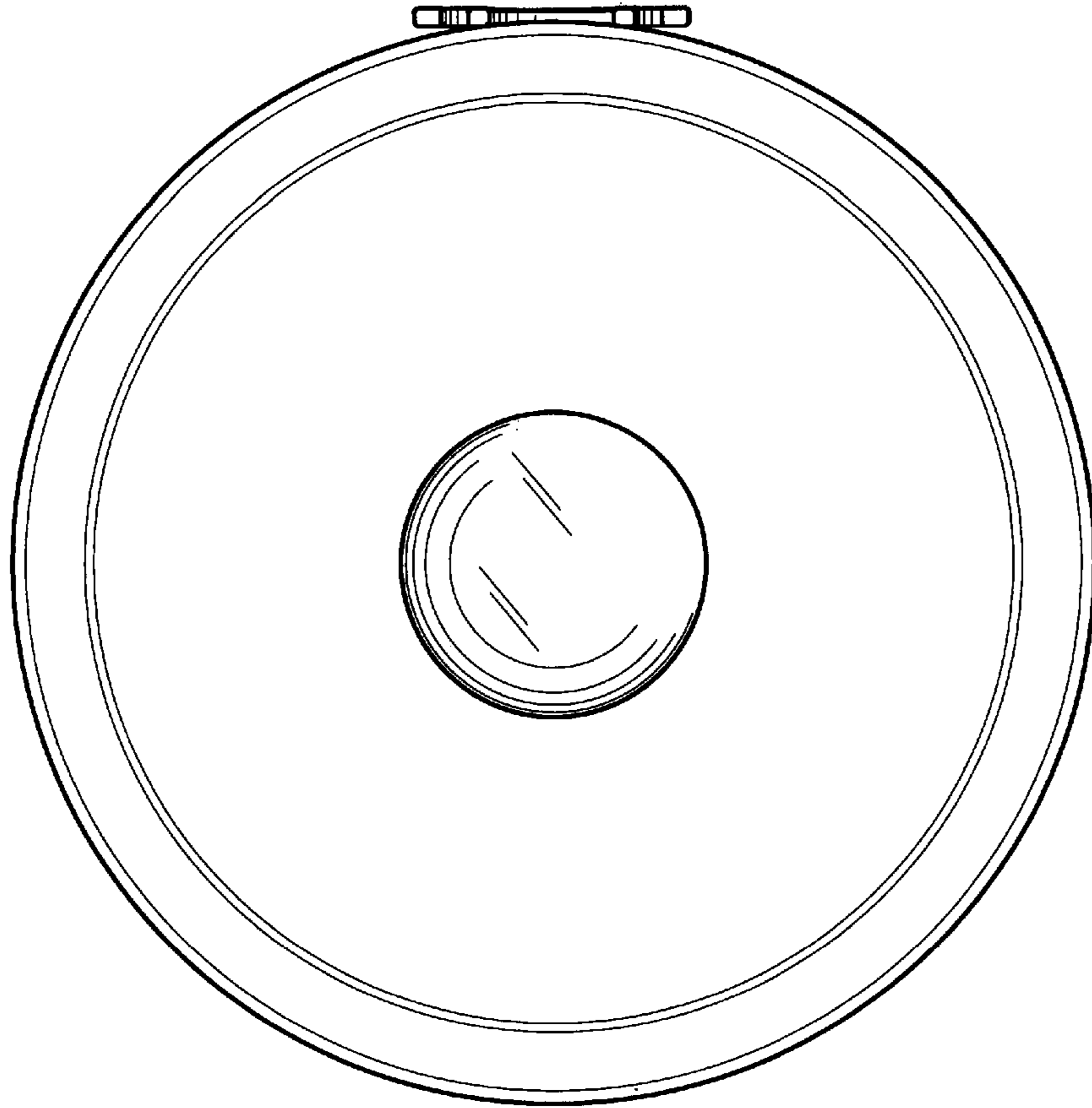


*Fig. 8.*

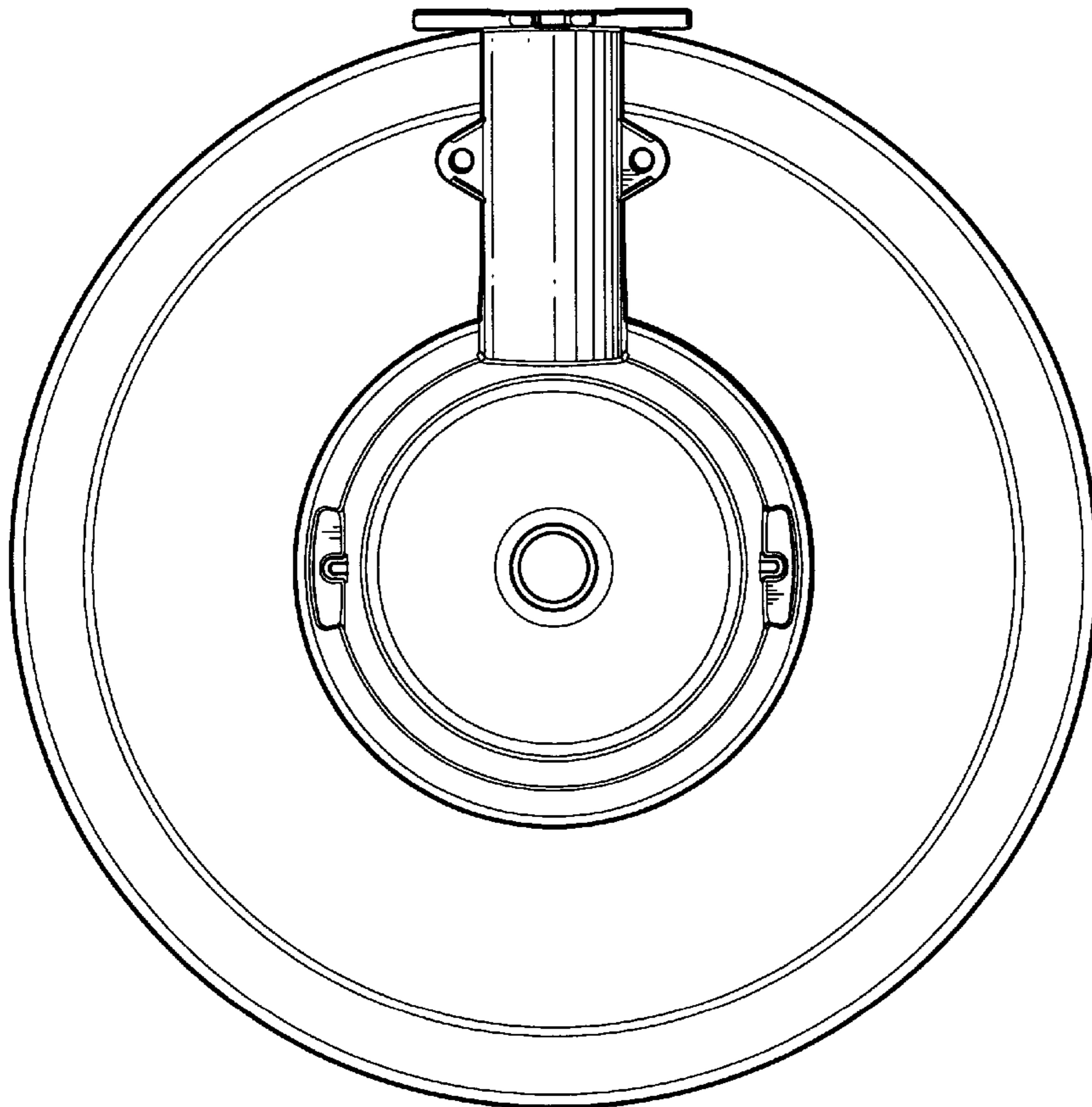


*Fig. 10.*





*Fig. 12.*



*Fig. 11.*