



US00D400275S

United States Patent [19]
Hunting et al.

[11] **Patent Number: Des. 400,275**

[45] **Date of Patent: **Oct. 27, 1998**

[54] **VEHICLE FLASHLIGHT**

[75] Inventors: **Donald Joseph Hunting**, Moorpark;
Ravi Kumar Sawhney, Calabasas, both
of Calif.

[73] Assignee: **LHI, Inc.**, Jackson, Wyo.

[**] Term: **14 Years**

[21] Appl. No.: **80,488**

[22] Filed: **Dec. 10, 1997**

[51] **LOC (6) Cl.** **26-02**

[52] **U.S. Cl.** **D26/37**

[58] **Field of Search** D26/37-50; 362/157,
362/158, 183-208

[56] **References Cited**

U.S. PATENT DOCUMENTS

D. 385,265	10/1997	Knowles et al.	D26/37
D. 385,636	10/1997	Chen	D26/37
D. 388,201	12/1997	Zurwelle	D26/37

Primary Examiner—Marcus A. Jackson
Attorney, Agent, or Firm—Trask, Britt & Rossa

[57] **CLAIM**

The ornamental design for a vehicle flashlight, as shown and described.

DESCRIPTION

FIG. 1 is a perspective view of a vehicle flashlight of the present invention, with the lens of the flashlight oriented forward;

FIG. 2 is a side view of a vehicle flashlight;

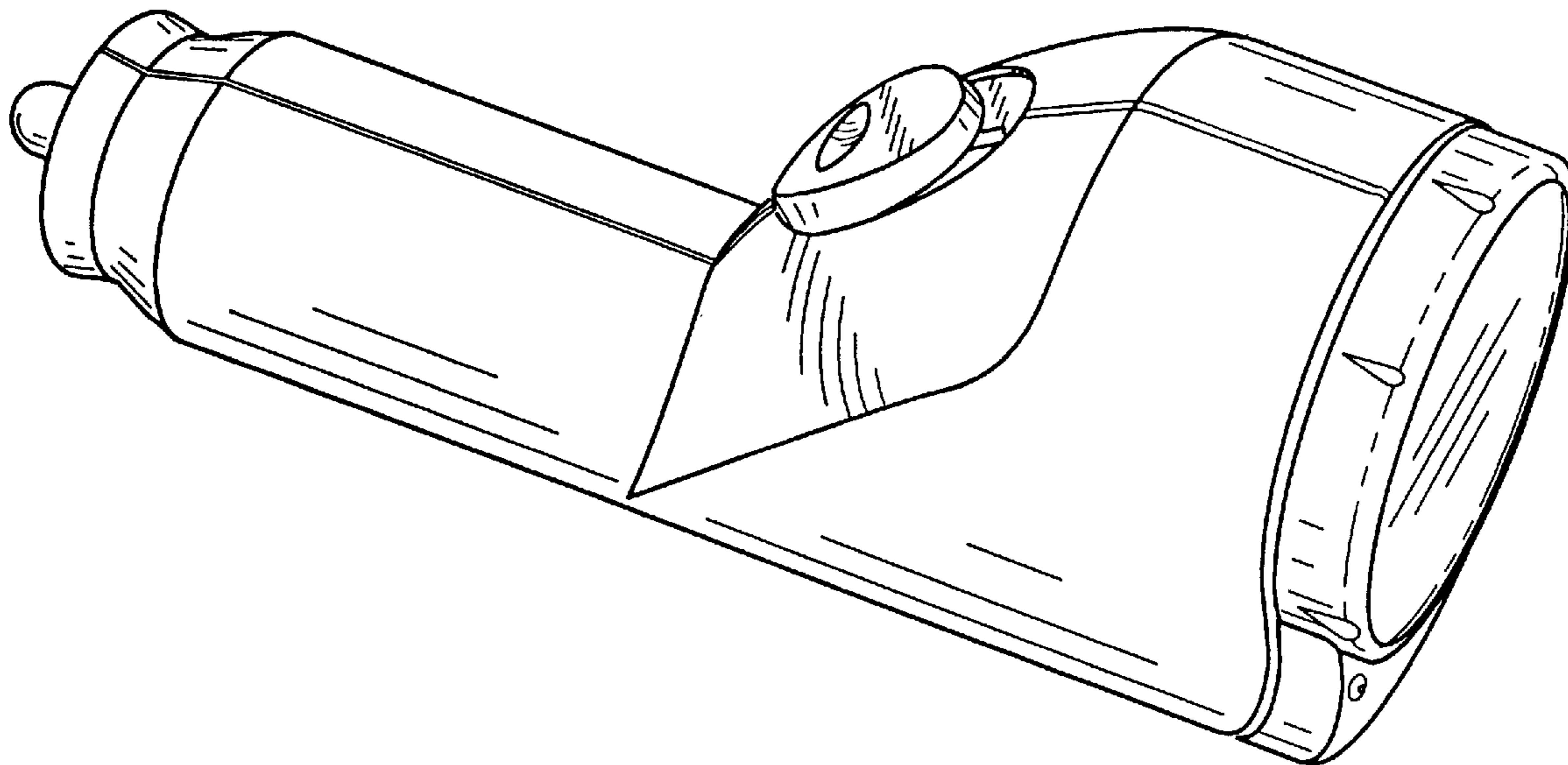
FIG. 3 is a side view of the opposing side of a vehicle flashlight illustrated in FIG., 2;

FIG. 4 is a front view of a vehicle flashlight showing the lens;

FIG. 5 is a rear view of a vehicle flashlight showing electrical contact;

FIG. 6 is a plan view of the top of a vehicle flashlight; and, FIG. 7 is a plan view of the bottom of a vehicle flashlight.

1 Claim, 3 Drawing Sheets



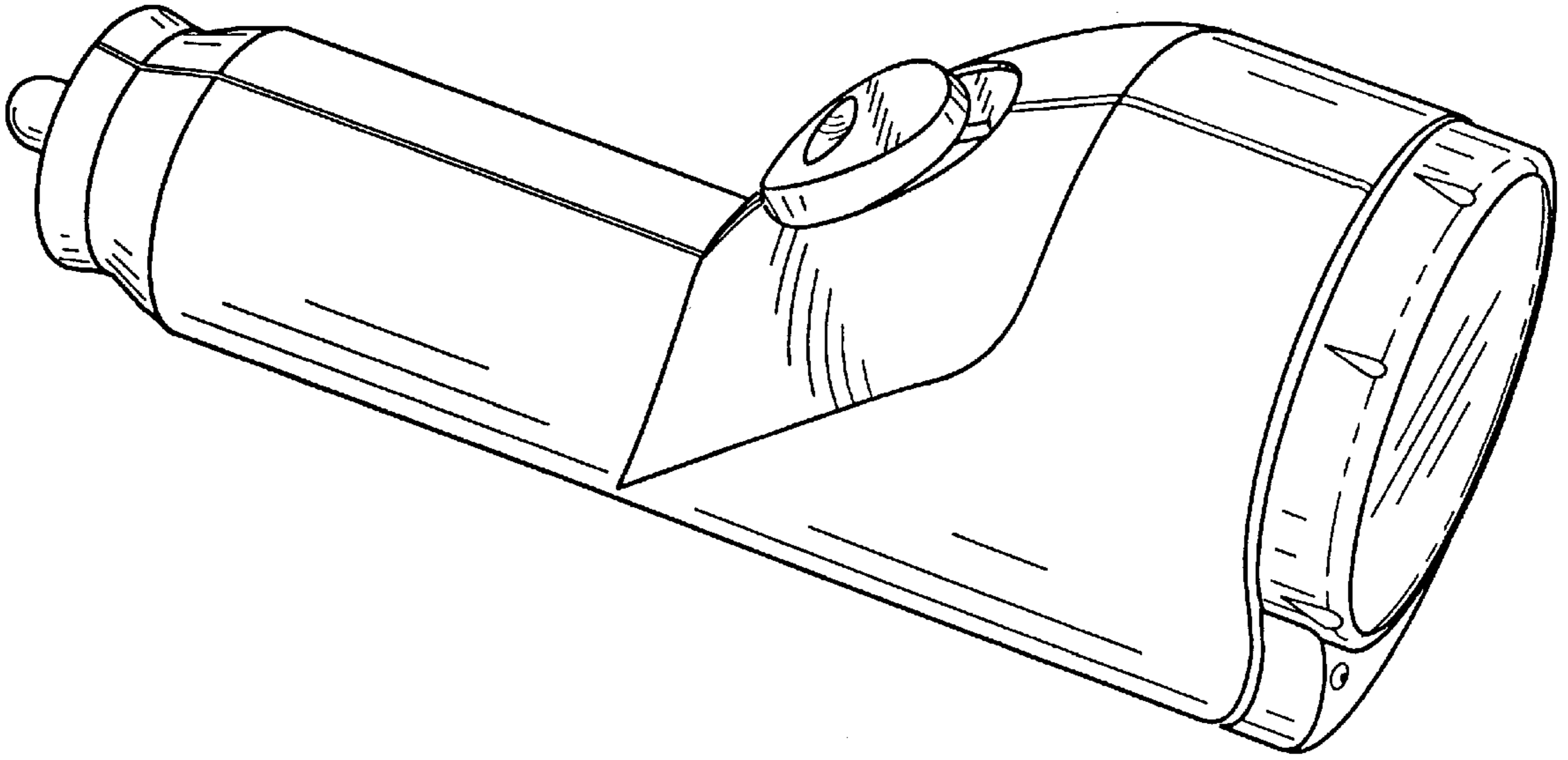


Fig. 1

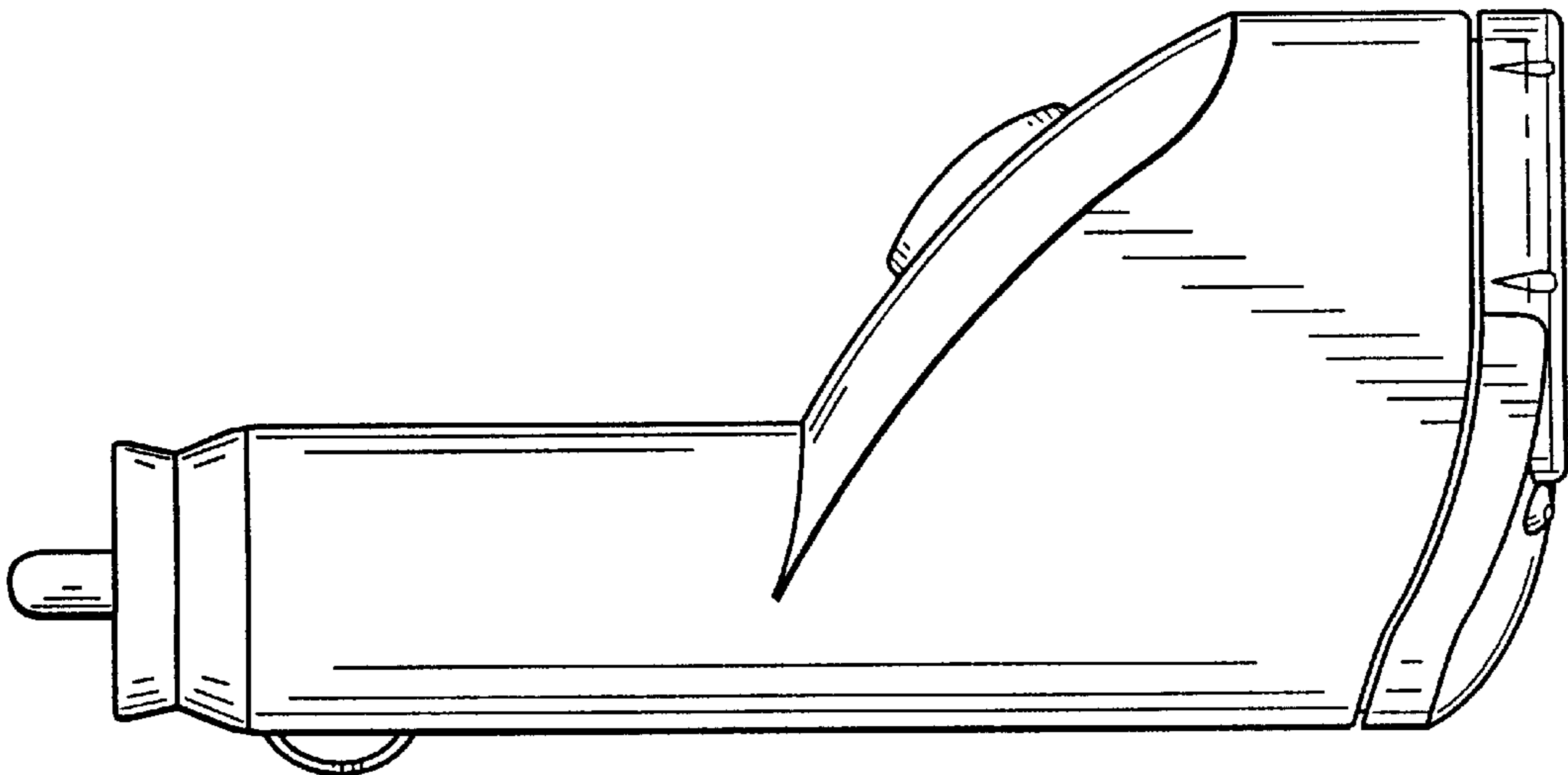


Fig. 2

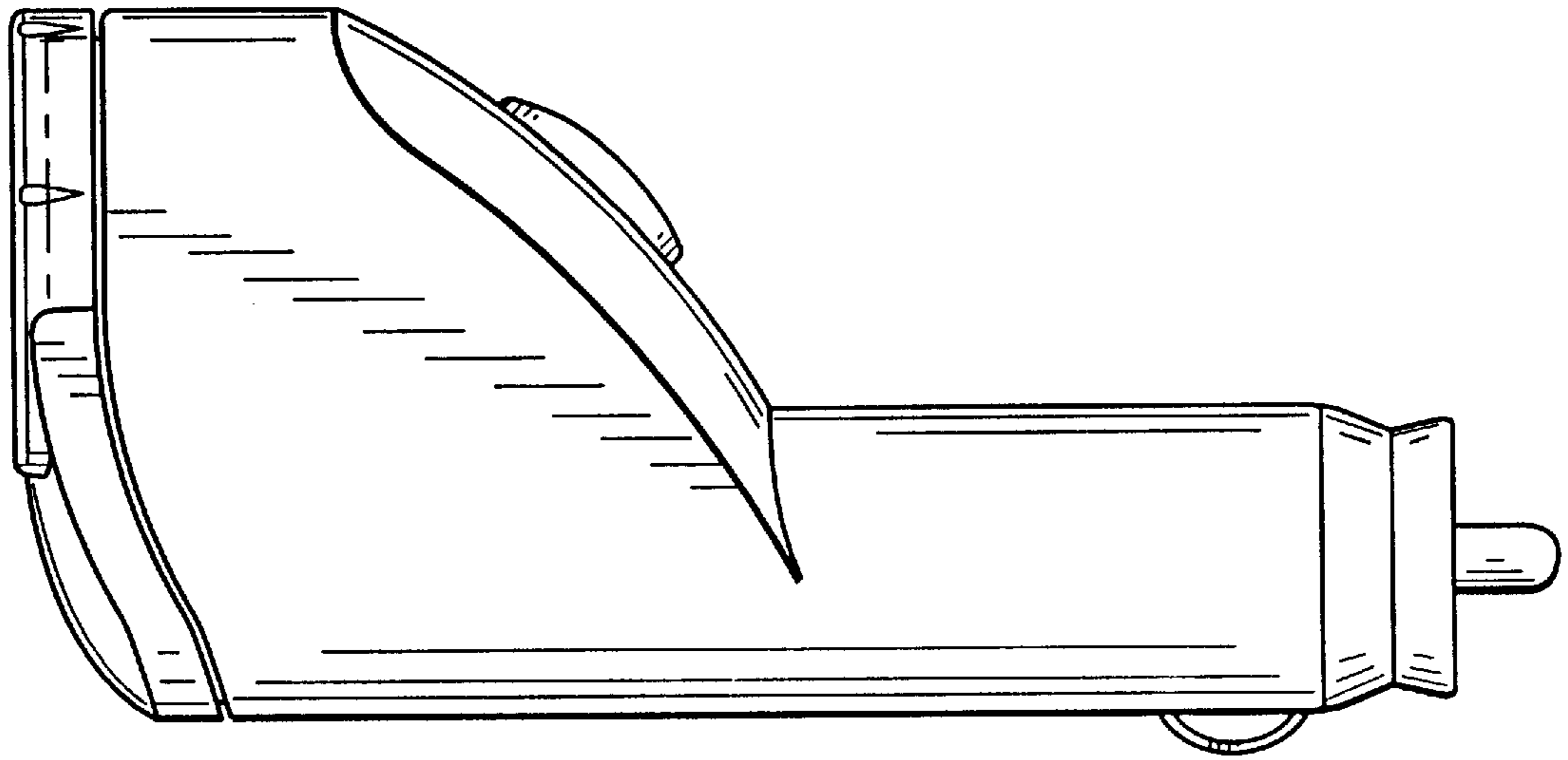


Fig. 3

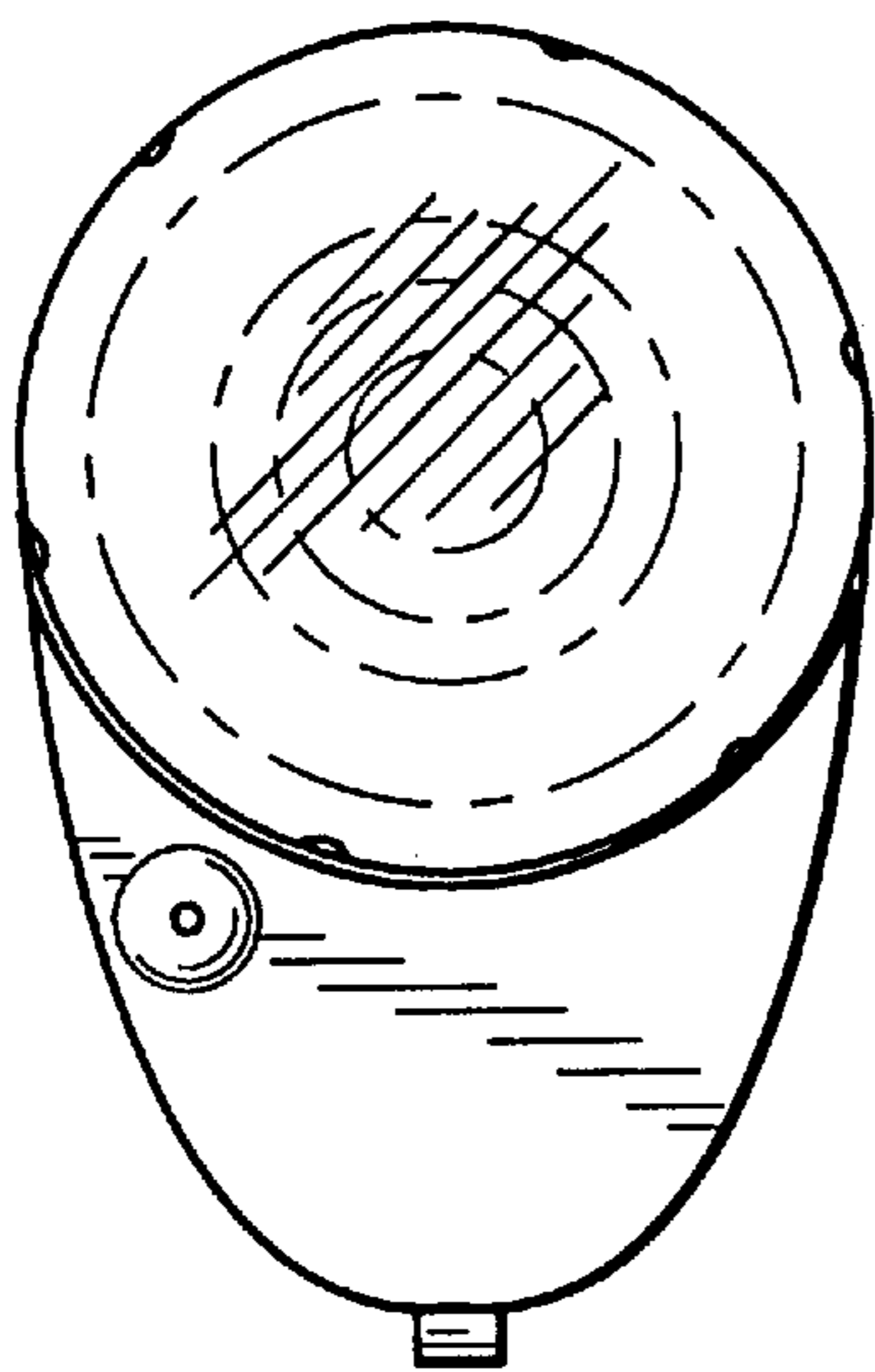


Fig. 4

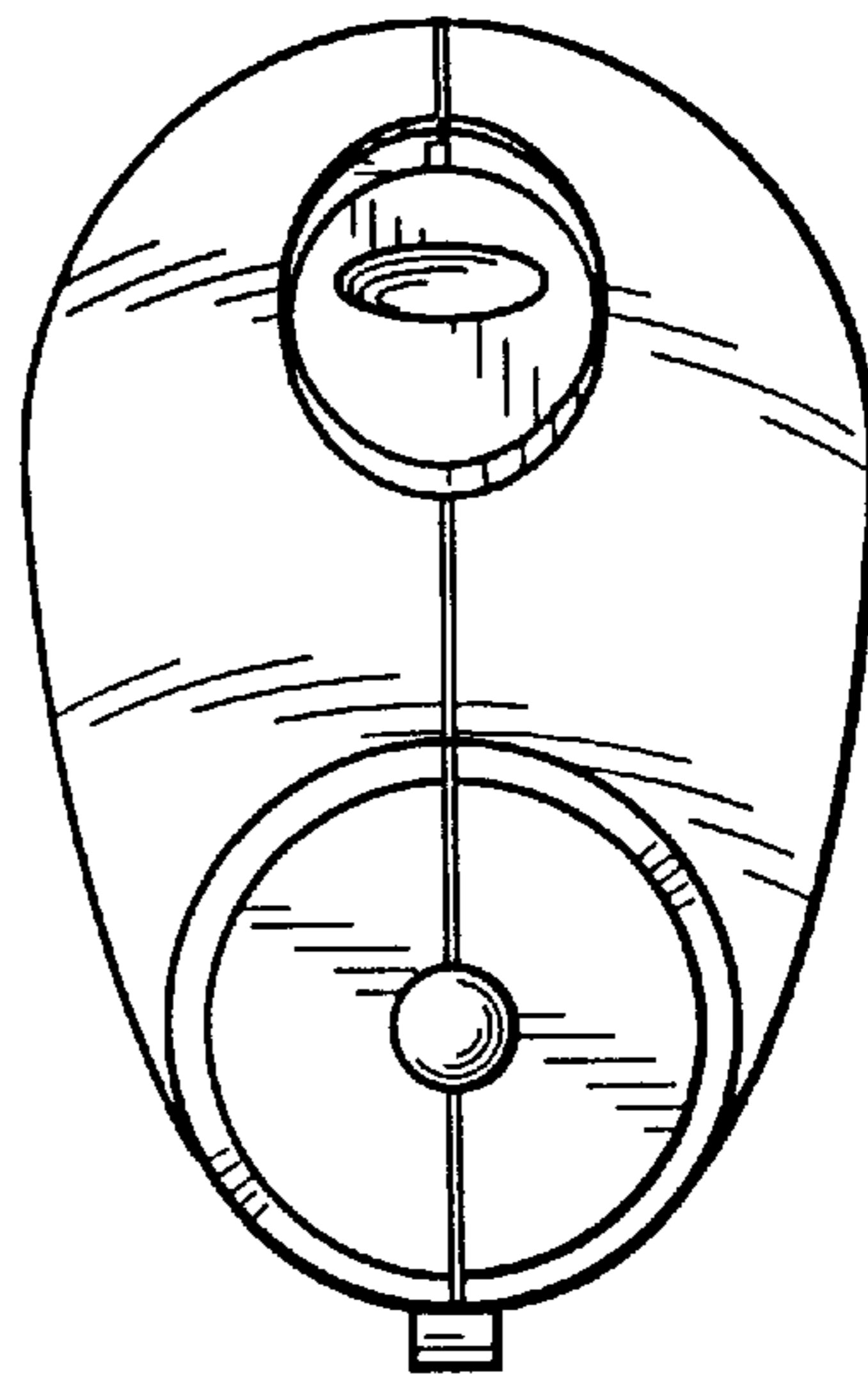


Fig. 5

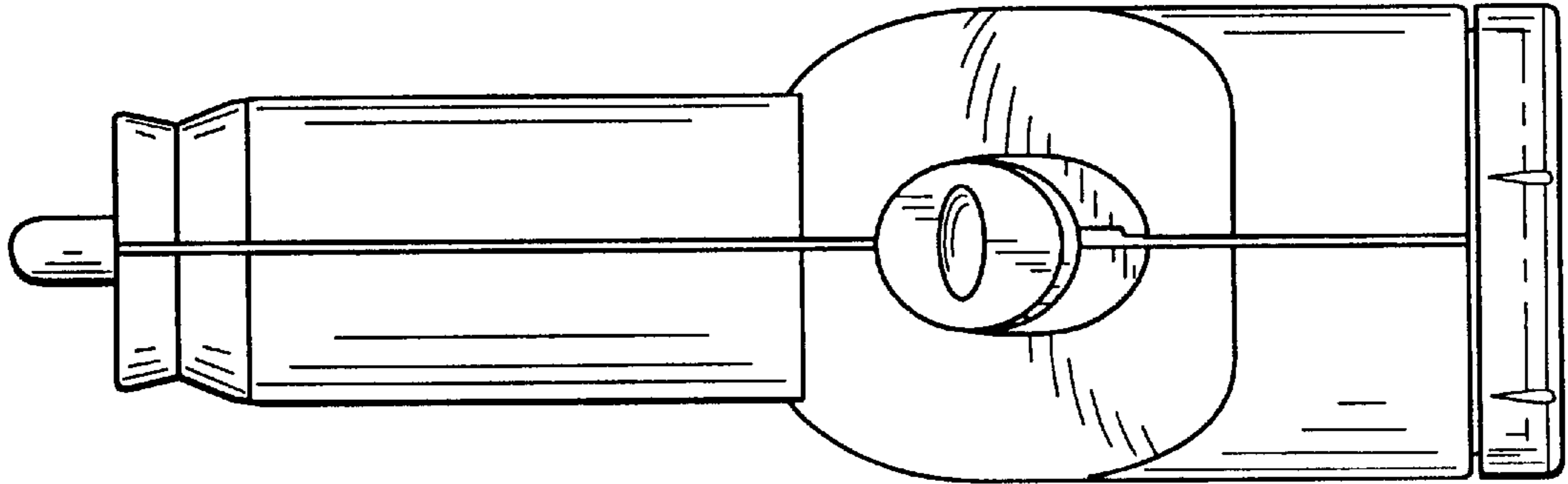


Fig. 6

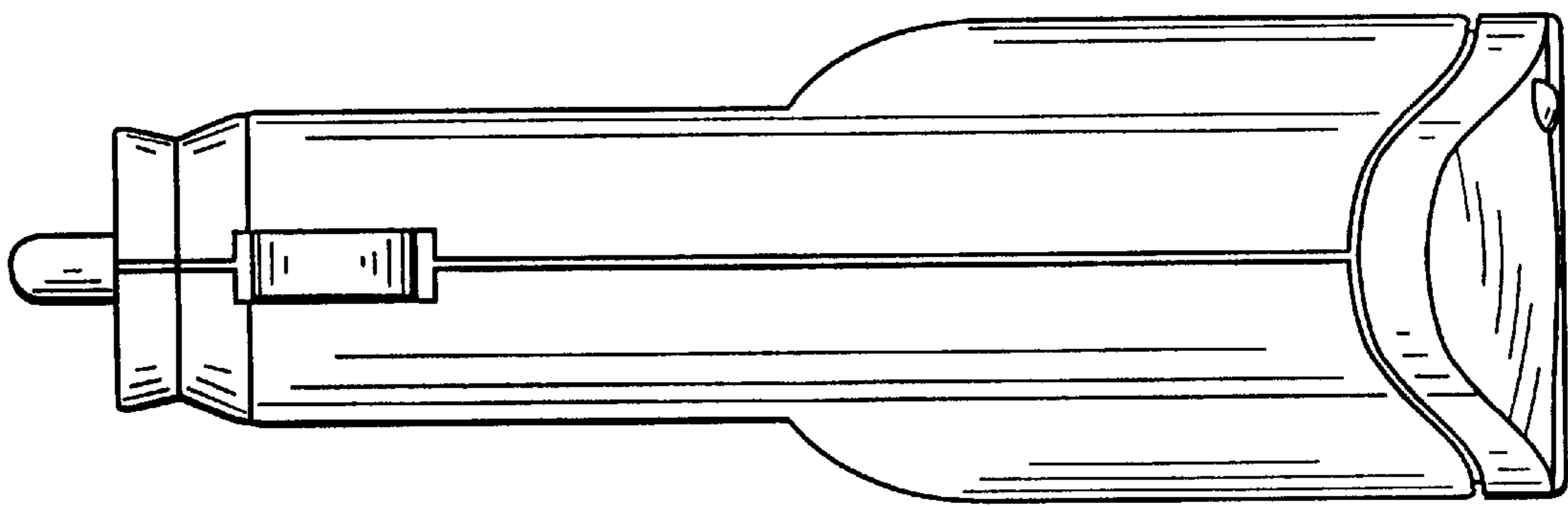


Fig. 7