



US00D400274S

United States Patent [19]

Ziaylek, Jr. et al.

[11] Patent Number: **Des. 400,274**

[45] Date of Patent: ****Oct. 27, 1998**

[54] **RADAR ARCH LIGHT**

3,902,057 8/1975 La Violette 362/83.3
4,870,551 9/1989 Nagel et al. 362/61

[76] Inventors: **Theodore Ziaylek, Jr.**, 140 Riverview Dr.; **Michael P. Ziaylek**, 15 Cold Spring Ave., both of Yardley, Pa. 19067

OTHER PUBLICATIONS

Home Lighting and Accessories, p. 69, lexan wall lamp, May 1986.

[**] Term: **14 Years**

Primary Examiner—Susan J. Lucas
Attorney, Agent, or Firm—Sperry, Zoda & Kane

[21] Appl. No.: **73,429**

[22] Filed: **Jul. 8, 1997**

[57] CLAIM

[51] **LOC (6) Cl.** **26-02**

The ornamental design for a radar arch light, as shown.

[52] **U.S. Cl.** **D26/36; D10/113; D26/74**

DESCRIPTION

[58] **Field of Search** D26/24, 74, 67, D26/72, 28, 36; 362/147, 153, 153.1, 364, 365, 366, 267, 61, 83, 83.3; D10/113

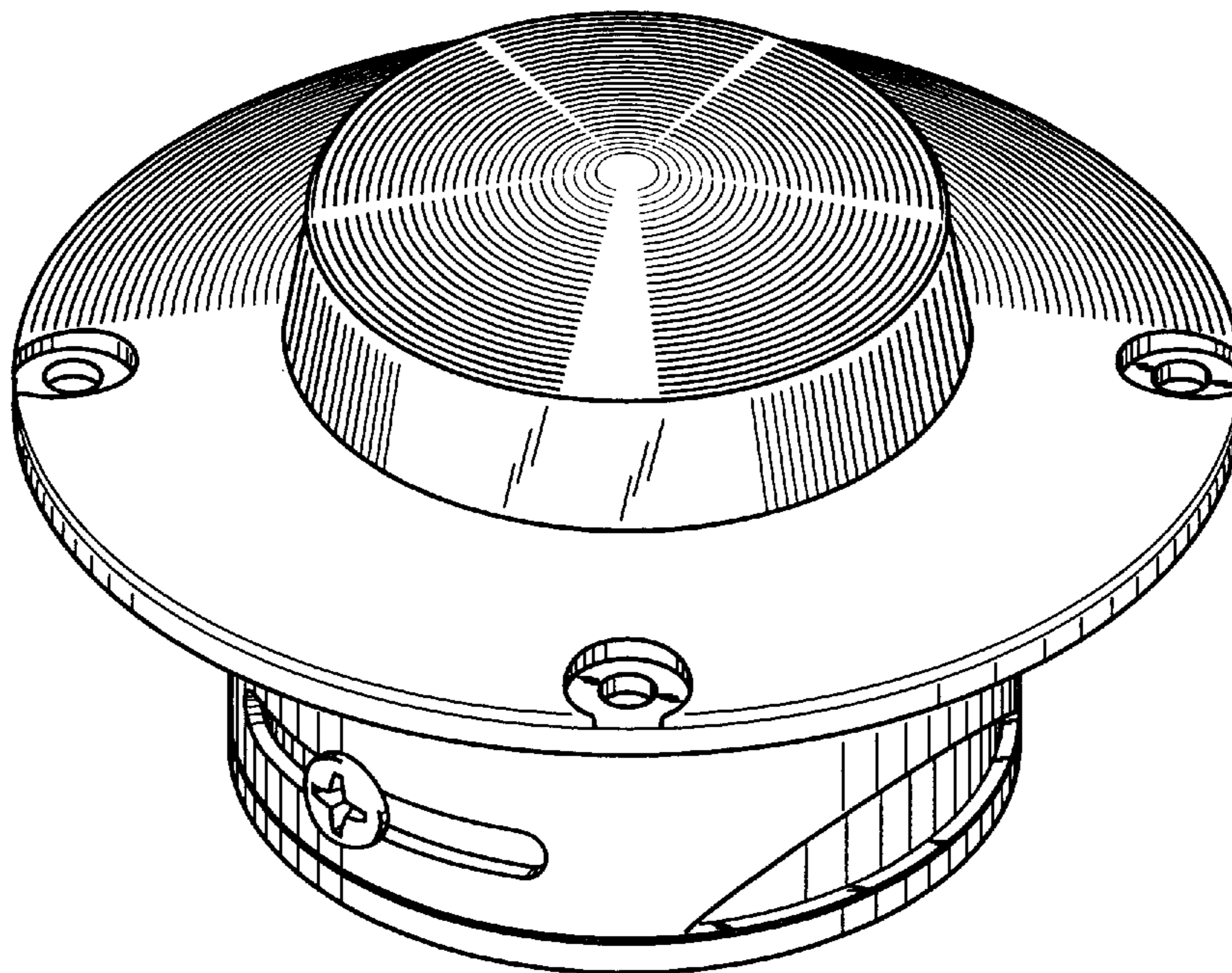
FIG. 1 is a top three-quarter perspective illustration embodying our new design;
FIG. 2 is a front elevation view, the rear being identical to the front;
FIG. 3 is a top plan view; and,
FIG. 4 is a bottom plan view.

[56] References Cited

U.S. PATENT DOCUMENTS

D. 230,764 3/1974 La Violette D26/36
D. 306,767 3/1990 Ziaylek, Jr. D26/36

1 Claim, 2 Drawing Sheets



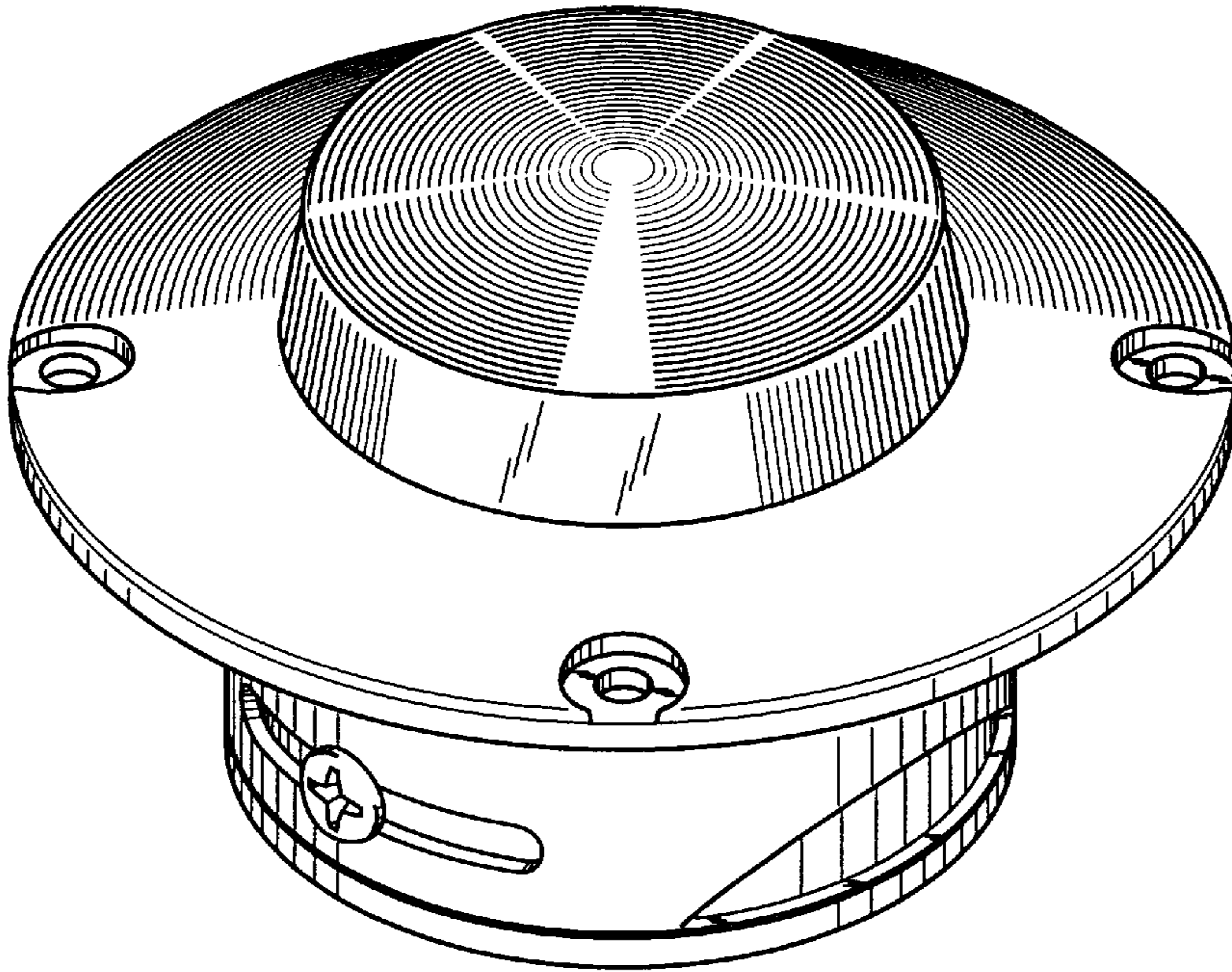


FIG. 1

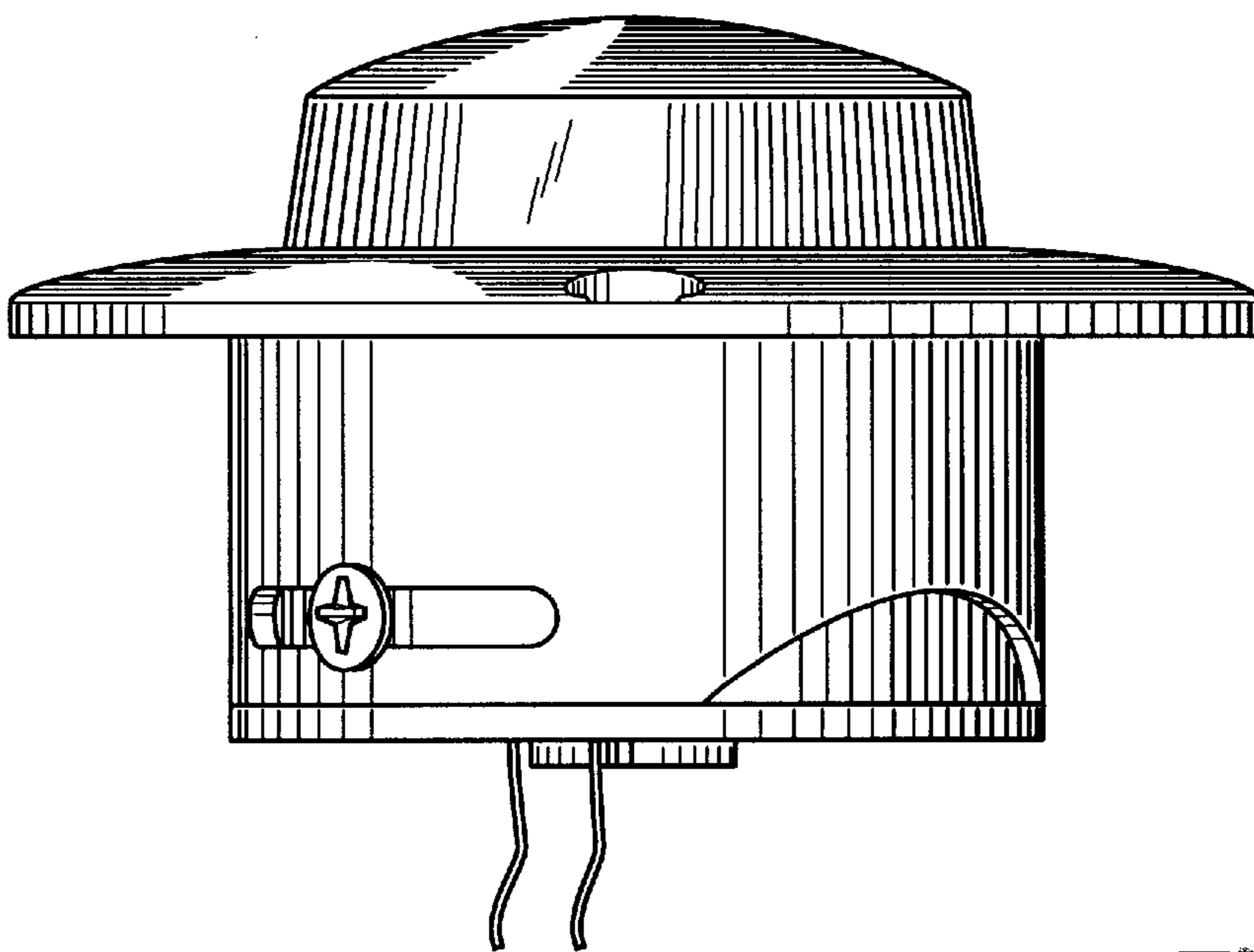


FIG. 2

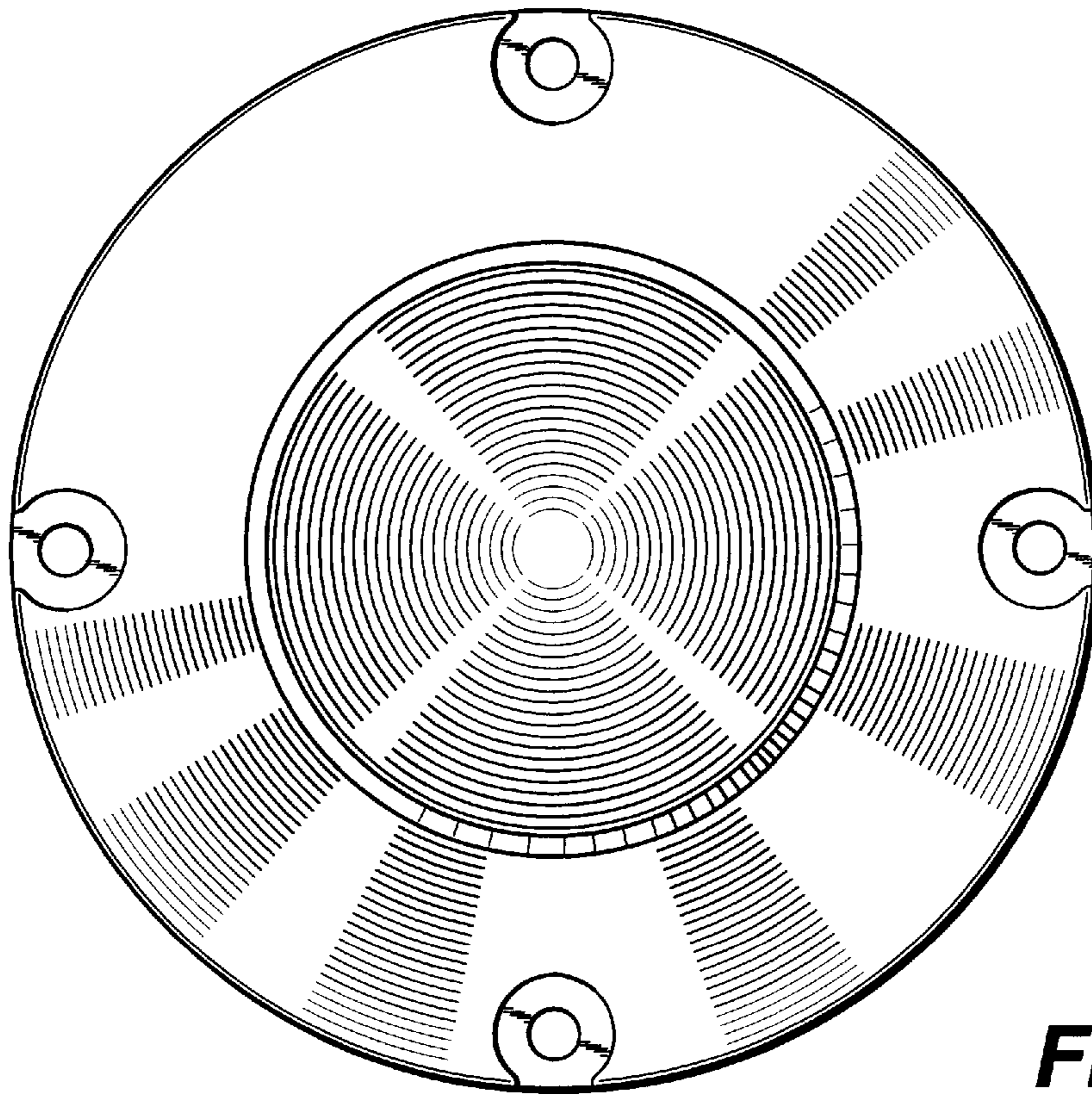


FIG. 3

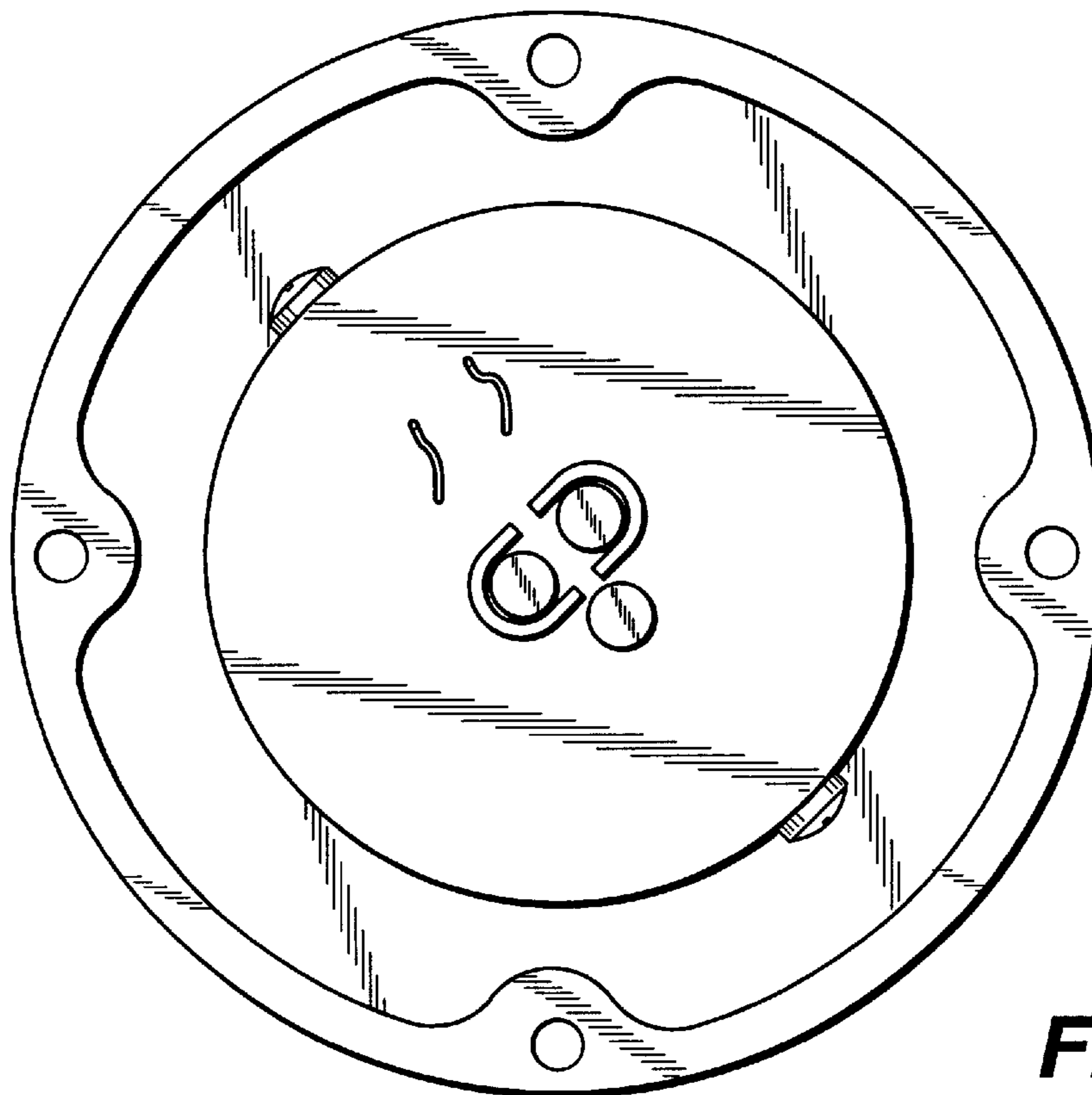


FIG. 4