



US00D400271S

United States Patent [19]
Franson

[11] **Patent Number: Des. 400,271**

[45] **Date of Patent: **Oct. 27, 1998**

[54] **WINDOW COMPONENT EXTRUSION**

D. 379,532 5/1997 DiGiorgio D25/124

[75] Inventor: **Jeffrey R. Franson**, Maple Valley, Wash.

OTHER PUBLICATIONS

Window Component Extrusion 7249, Robert B. Jarrell Sold Dec. 8, 1995.

[73] Assignee: **Mikron Industries, Inc.**, Kent, Wash.

Primary Examiner—Doris Clark
Attorney, Agent, or Firm—Richardson & Folise

[**] Term: **14 Years**

[21] Appl. No.: **77,876**

[57] **CLAIM**

The ornamental design for a window component extrusion, as shown and described.

[22] Filed: **Oct. 10, 1997**

[51] **LOC (6) Cl.** **25-01**

[52] **U.S. Cl.** **D25/124**

[58] **Field of Search** D25/124, 125, D25/119-123, 60; 52/204.5, 204.1; 49/504, DIG. 1, 501, DIG. 2

DESCRIPTION

FIG. 1 is a top right perspective view of the window component extrusion which is broken in the center indicating indefinite length; and,

FIG. 2 is a bottom left perspective view of the window component extrusion shown in FIG. 1.

[56] **References Cited**

U.S. PATENT DOCUMENTS

D. 363,794 10/1995 Shrader D25/124

1 Claim, 1 Drawing Sheet

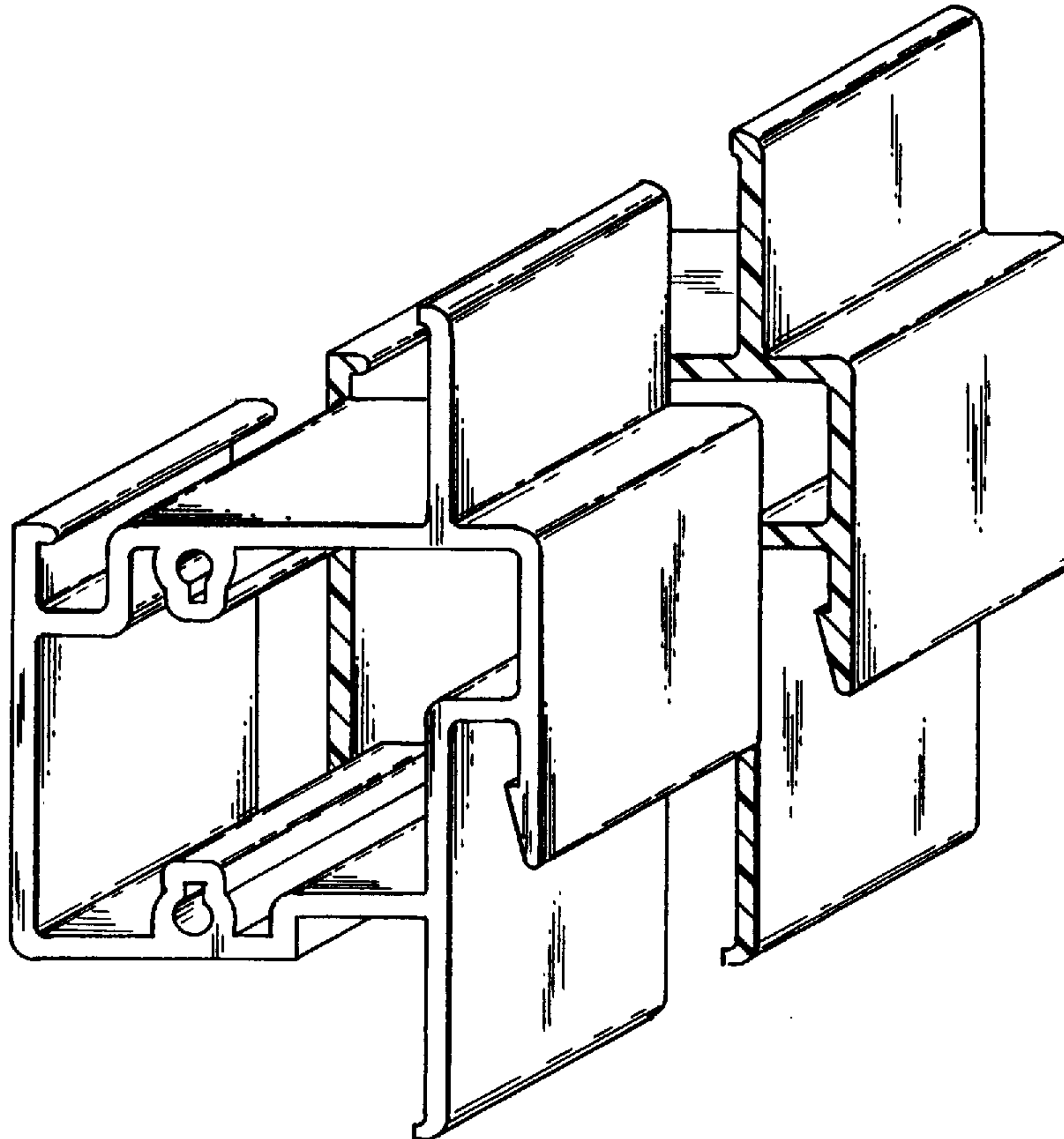


FIG. 1

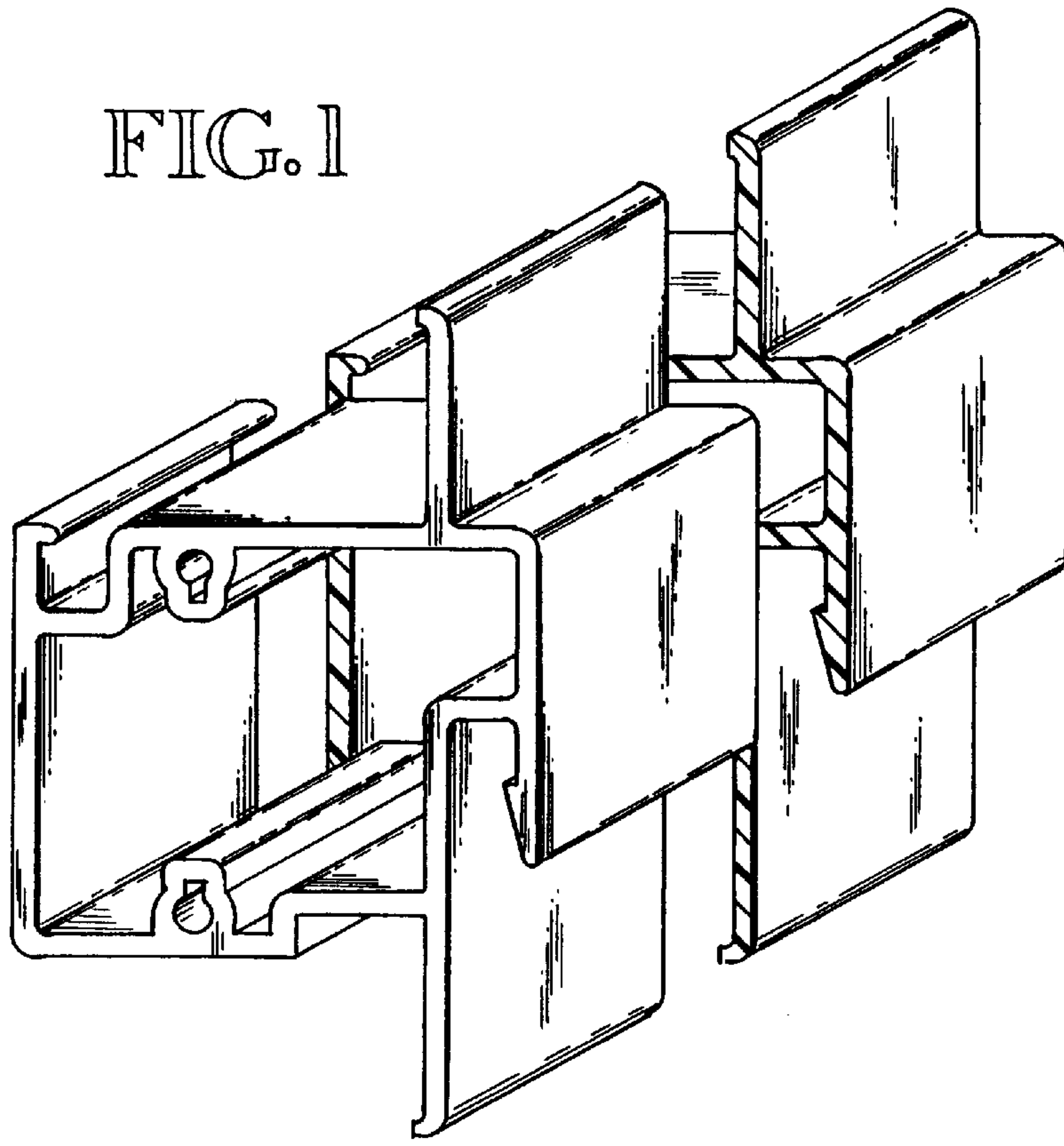


FIG. 2

