



US00D400264S

United States Patent [19]

Striefel et al.

[11] **Patent Number: Des. 400,264**

[45] **Date of Patent: **Oct. 27, 1998**

[54] **BARRIER**

[75] Inventors: **Richard R. Striefel**, Eagle Creek, Oreg.; **Michael C. McKinney**, 27522 SE. Highway 224, Eagle Creek, Oreg. 97022

[73] Assignees: **Richard D. Striefel; Michael C. McKinney**, both of Eagle Creek, Oreg.

[**] Term: **14 Years**

[21] Appl. No.: **78,082**

[22] Filed: **Oct. 17, 1997**

[51] **LOC (6) Cl. 25-02**

[52] **U.S. Cl. D25/38**

[58] **Field of Search D25/44, 38, 39, D25/58; D10/109; 404/6; 256/13.1, 1**

[56] **References Cited**

U.S. PATENT DOCUMENTS

- D. 341,098 11/1993 Yodock .
- D. 363,789 10/1995 Weid D25/38
- 3,980,279 9/1976 Bofinger .
- 4,059,362 11/1977 Smith .
- 4,113,400 9/1978 Smith .

- 4,681,302 7/1987 Thompson .
- 4,773,629 9/1988 Yodock .
- 4,869,617 9/1989 Chiodo .
- 4,946,306 8/1990 Yodock .
- 5,022,781 6/1991 Smith .
- 5,123,773 6/1992 Yodock .
- 5,498,101 3/1996 Braverman 404/6
- 5,611,641 3/1997 Cristensen 404/6

Primary Examiner—Doris Clark
Attorney, Agent, or Firm—Klarquist Sparkman Campbell Leigh & Winston, LLP

[57] **CLAIM**

We claim the ornamental design for a barrier, as shown and described.

DESCRIPTION

FIG. 1 is a perspective view of a barrier according to our design;
FIG. 2 is an elevation of one side thereof;
FIG. 3 is an elevation view of one end thereof;
FIG. 4 is an elevation view of the opposite end thereof;
FIG. 5 is a top plan view thereof;
FIG. 6 is an elevation view of the opposite that illustrated in FIG. 2; and,
FIG. 7 is a bottom view thereof.

1 Claim, 2 Drawing Sheets

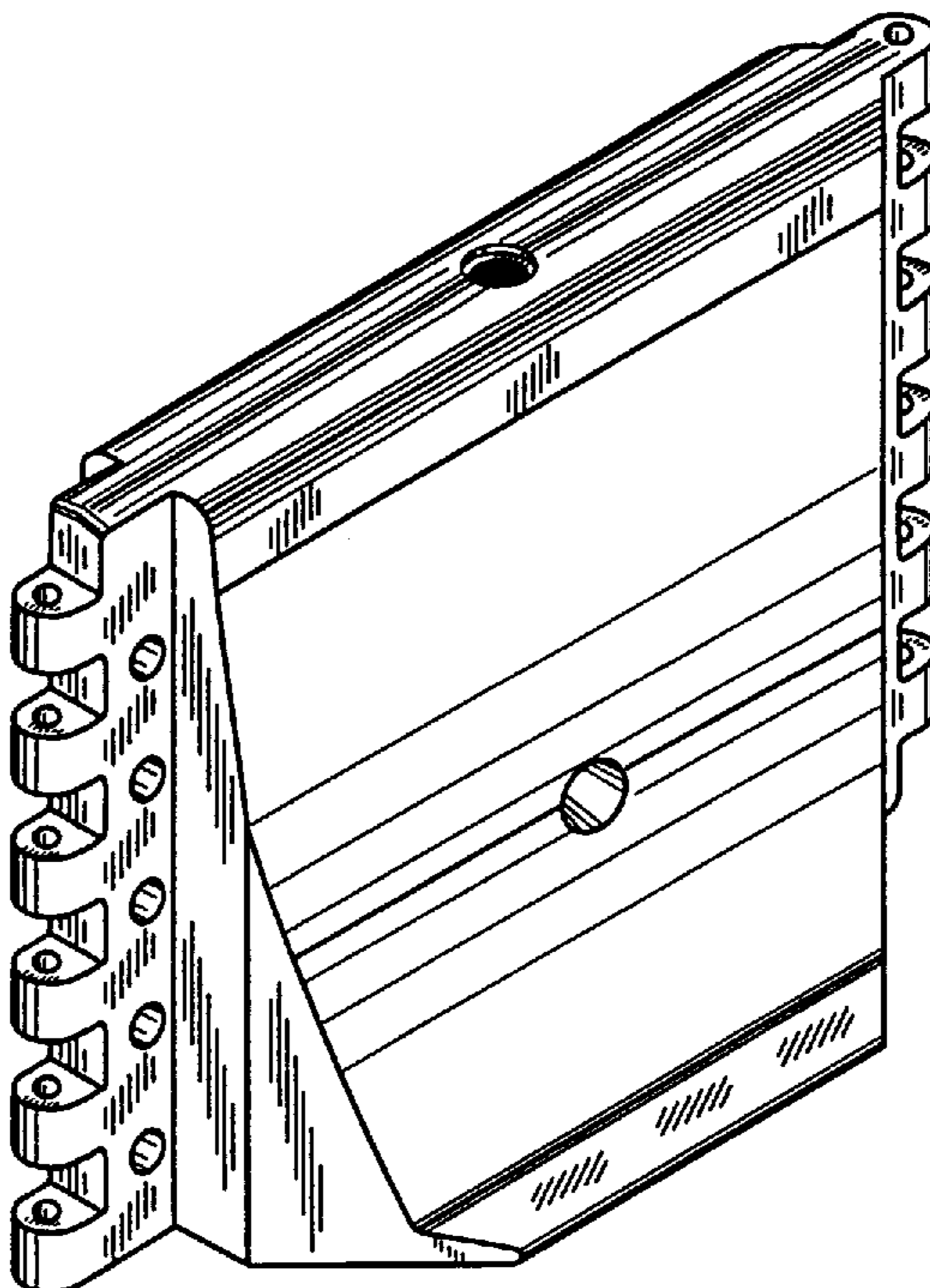


FIG. 1

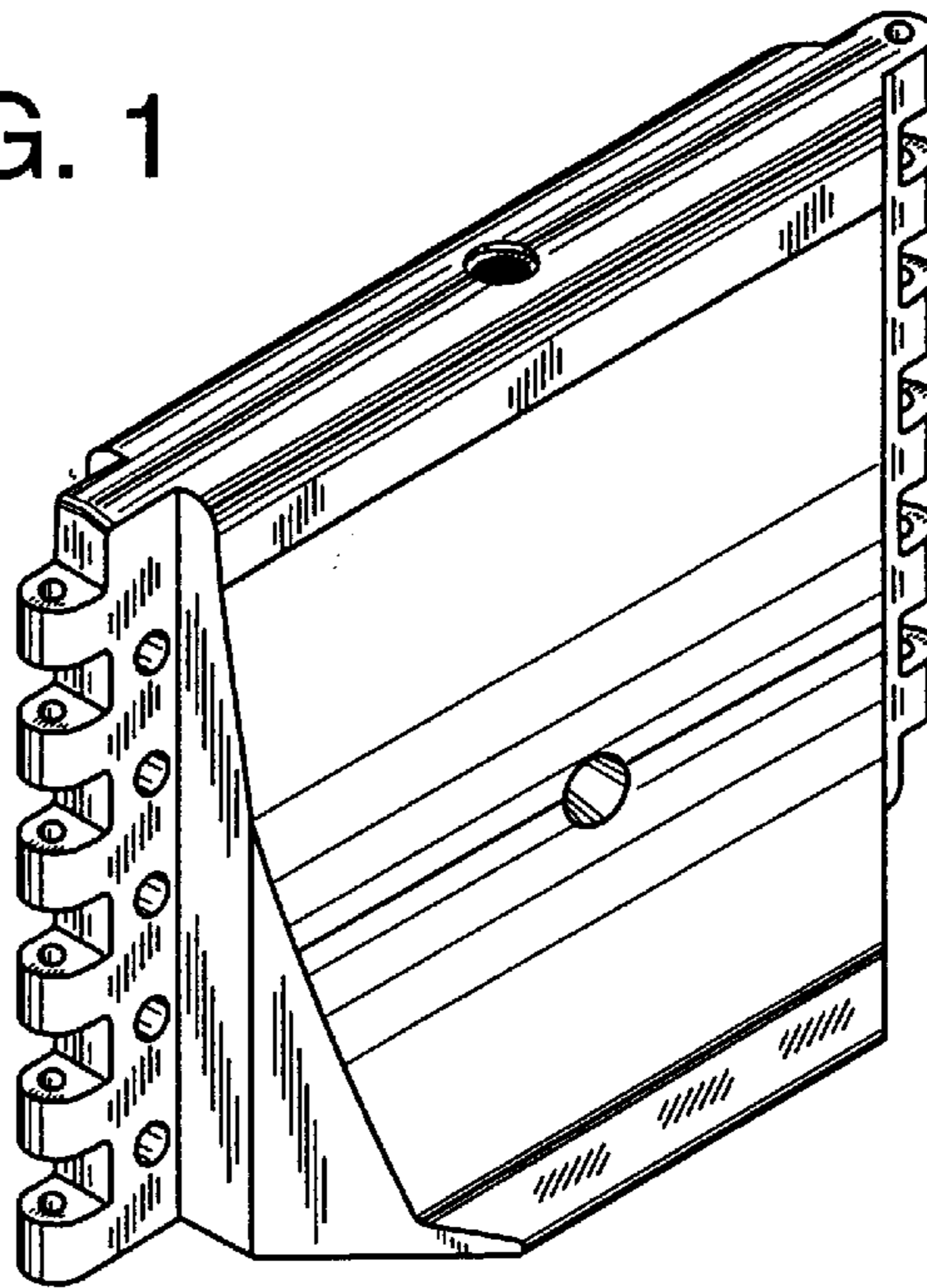


FIG. 2

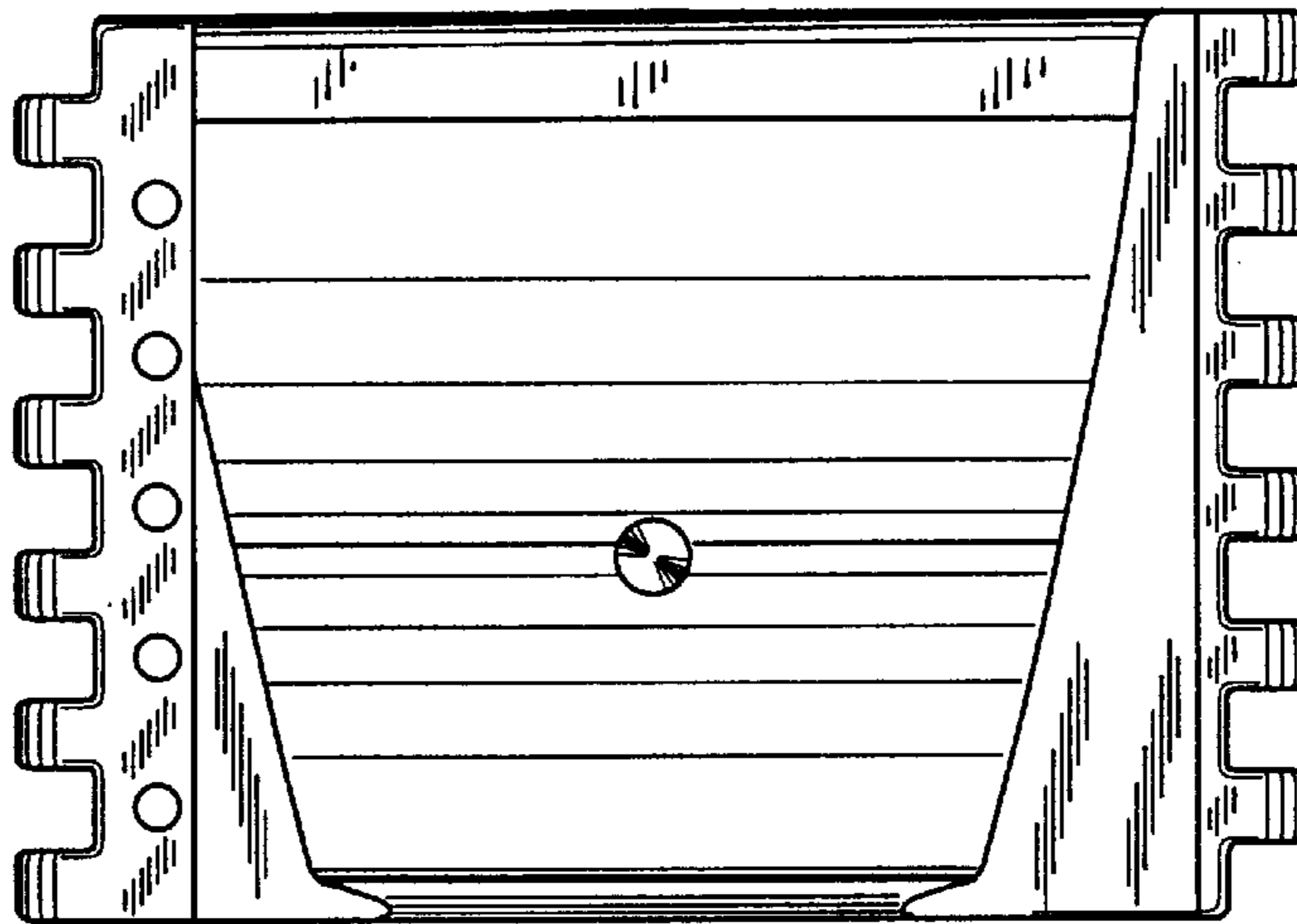


FIG. 3

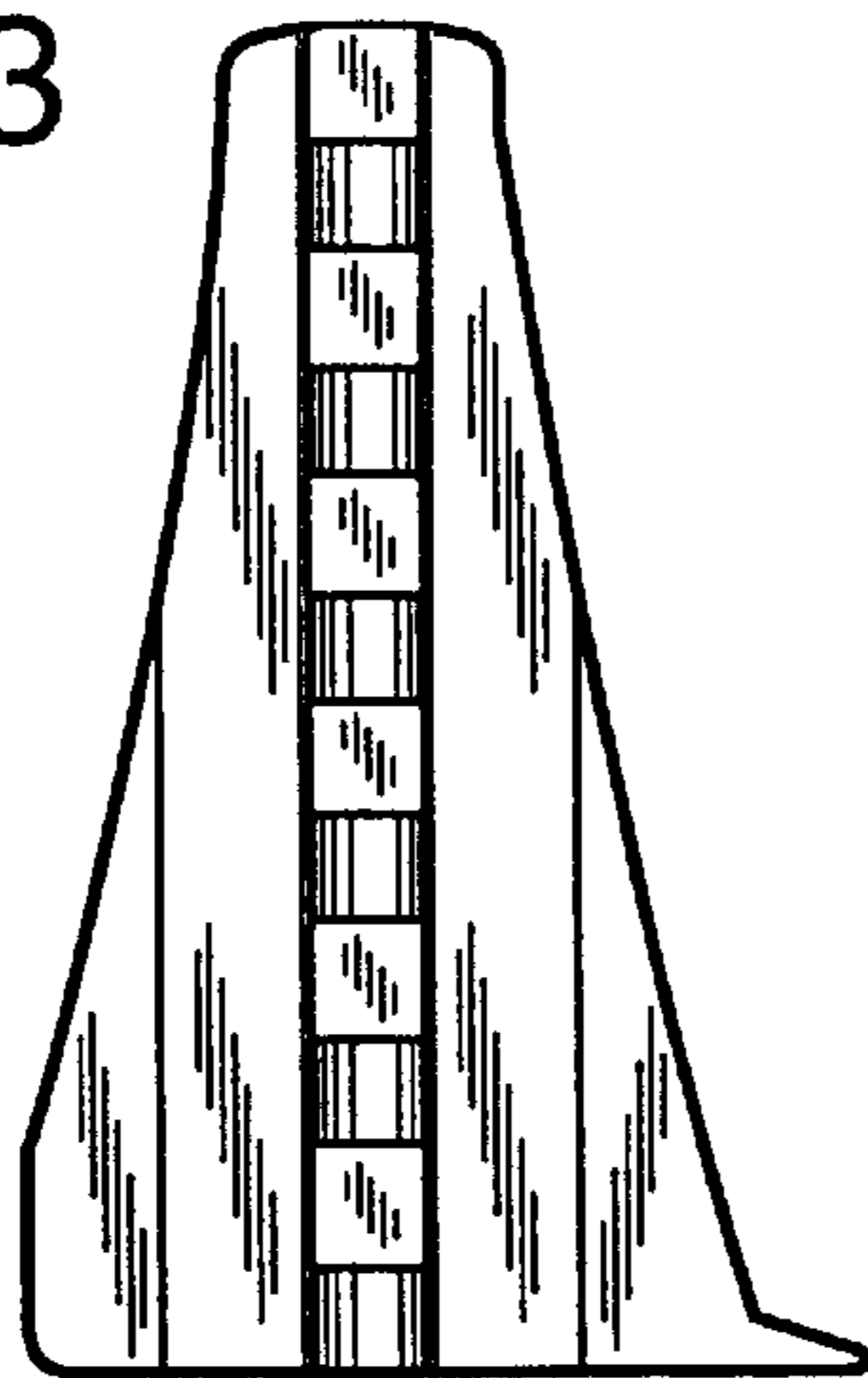


FIG. 4

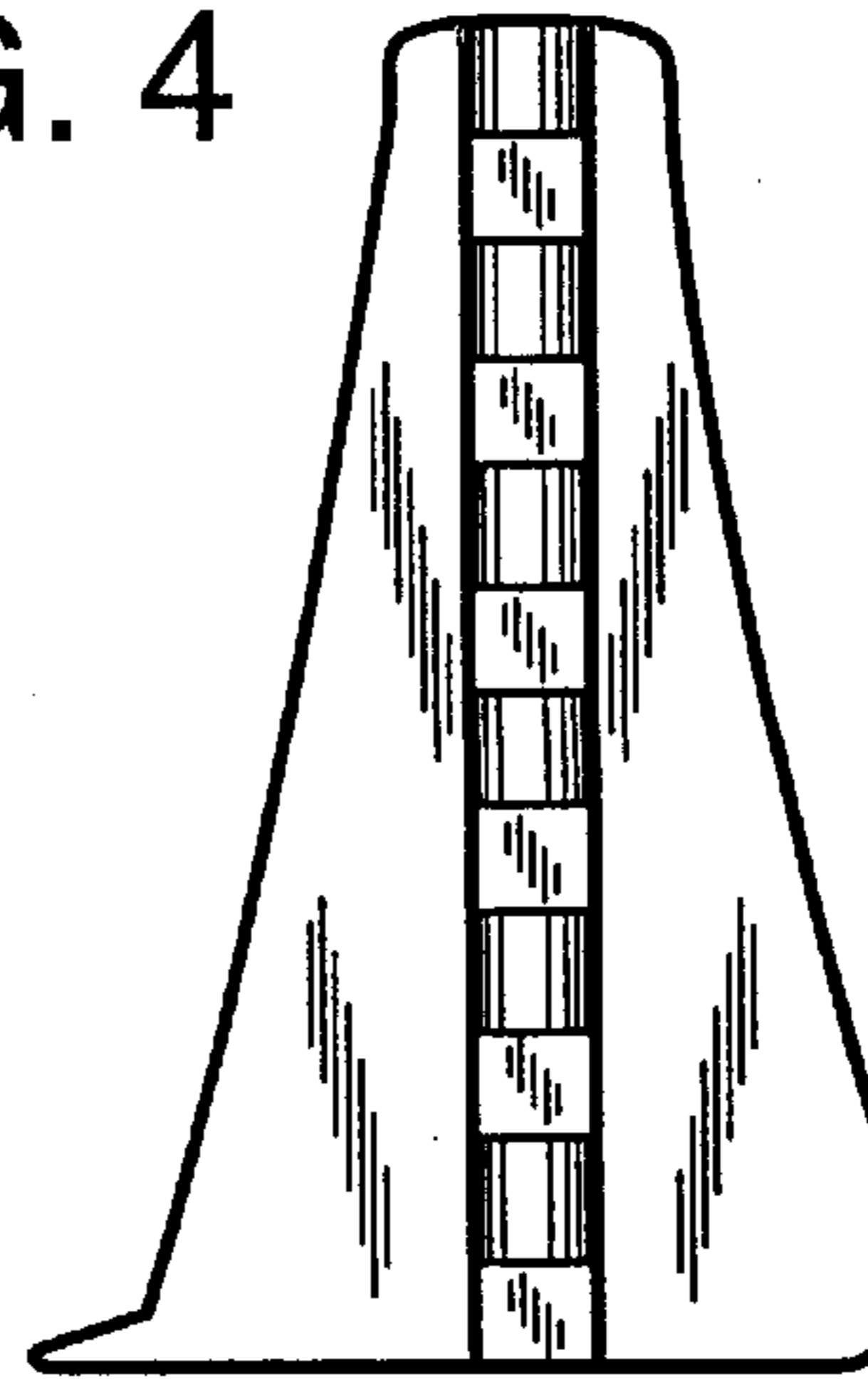


FIG. 5

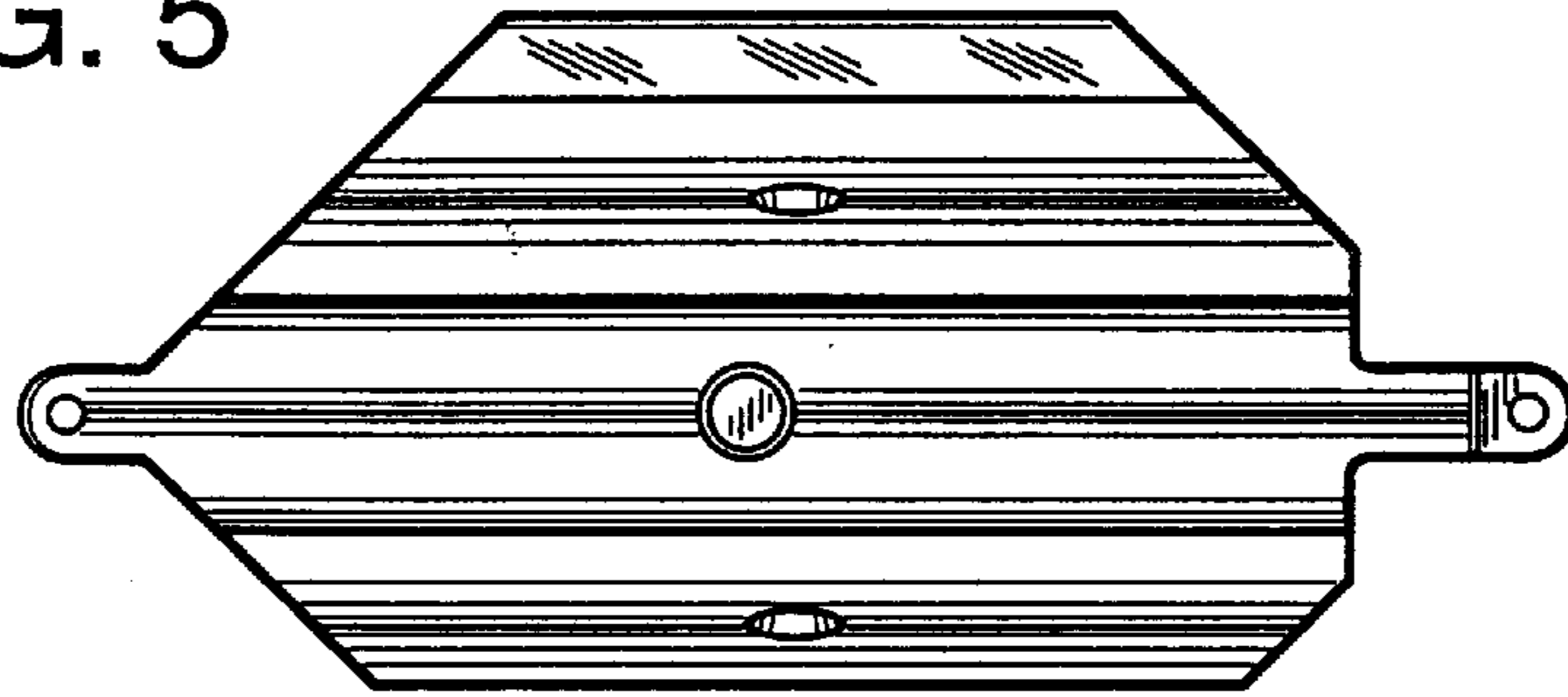


FIG. 6

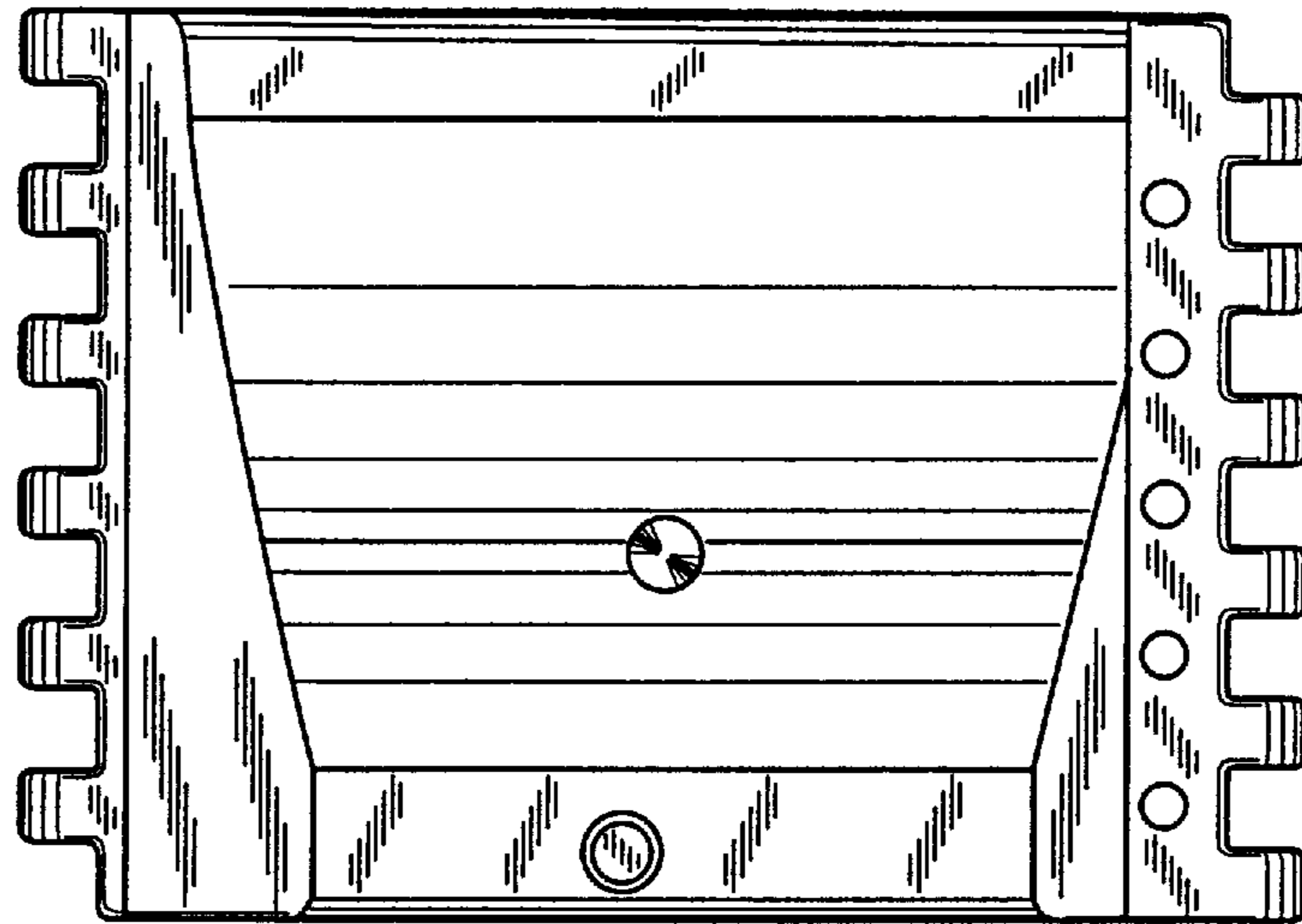


FIG. 7

