



US00D400263S

United States Patent [19] Shugart

[11] **Patent Number: Des. 400,263**

[45] **Date of Patent: **Oct. 27, 1998**

[54] **REAGENT CARTRIDGE**

[75] Inventor: **Phillip G. Shugart**, Brea, Calif.

[73] Assignee: **Carolina Liquid Chemisteries Corporation**, Brea, Calif.

[**] Term: **14 Years**

[21] Appl. No.: **73,803**

[22] Filed: **Jul. 17, 1997**

[51] **LOC (6) Cl.** **24-01**

[52] **U.S. Cl.** **D24/224**

[58] **Field of Search** D24/224; D9/520,
D9/523, 524, 530, 533; 422/102, 101; 436/165,
166

[56] **References Cited**

U.S. PATENT DOCUMENTS

D. 213,949	4/1969	Lenhart	D9/520
D. 247,158	2/1978	Evangelista et al.	D9/523
D. 290,225	6/1987	Carlson	D9/524

D. 292,267	10/1987	Costa	D9/524
D. 309,015	7/1990	Fechtner et al.	D24/224
D. 358,219	5/1995	Ushikubo	D24/224
D. 380,553	7/1997	Reikkinen	D24/224

Primary Examiner—Louis S. Zarfaz
Assistant Examiner—G. Albert Andoll
Attorney, Agent, or Firm—Robert R. Meads

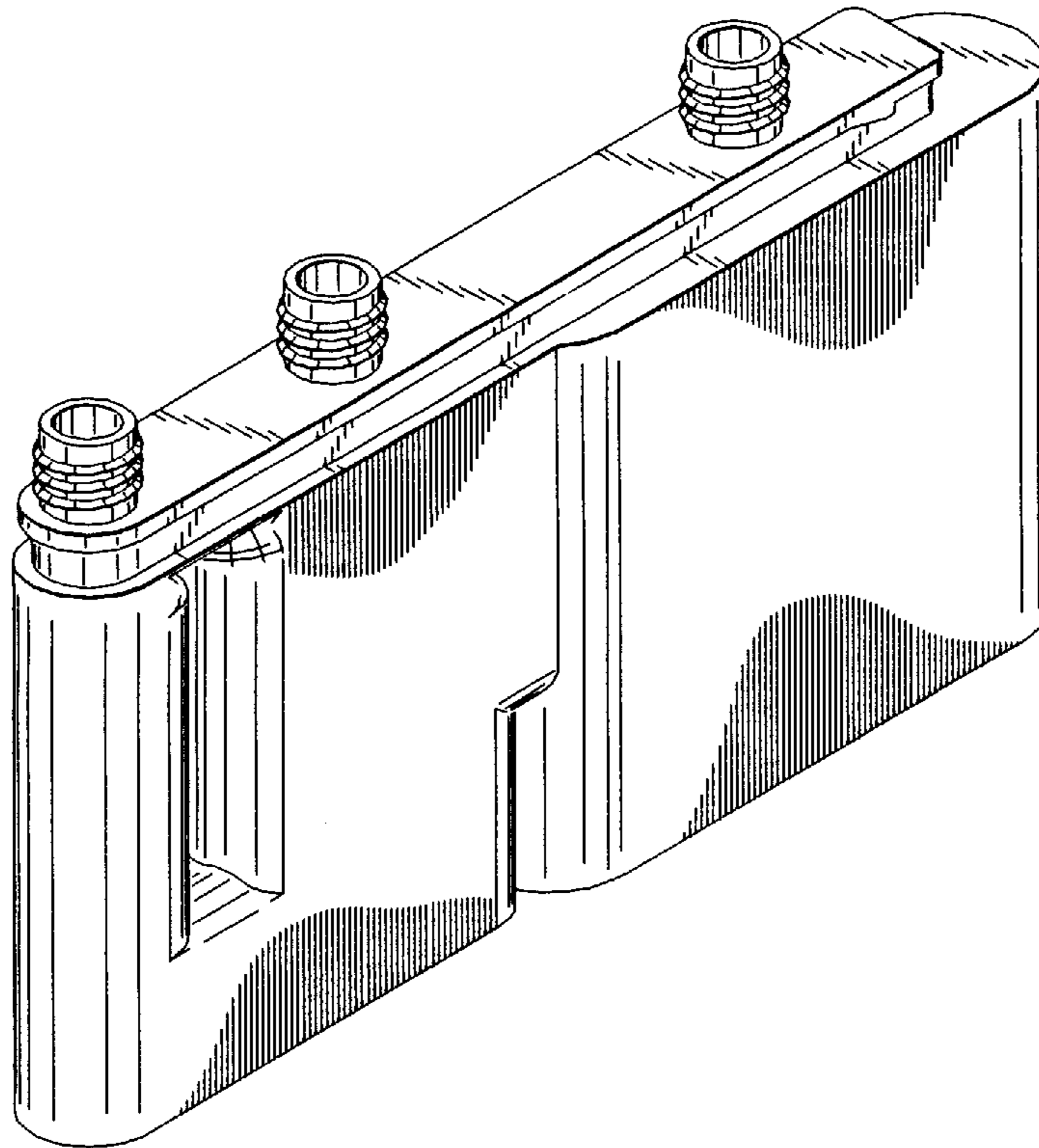
[57] **CLAIM**

I claim the ornamental design for reagent cartridge, as shown.

DESCRIPTION

FIG. 1 is a perspective view of the reagent cartridge showing the right side front and top of the reagent cartridge; FIG. 2 is a left view of the reagent cartridge shown in FIG. 1; FIG. 3 is a rear view of the reagent cartridge shown in FIG. 1; and, FIG. 4 is a bottom view of the reagent cartridge shown in FIG. 1.

1 Claim, 1 Drawing Sheet



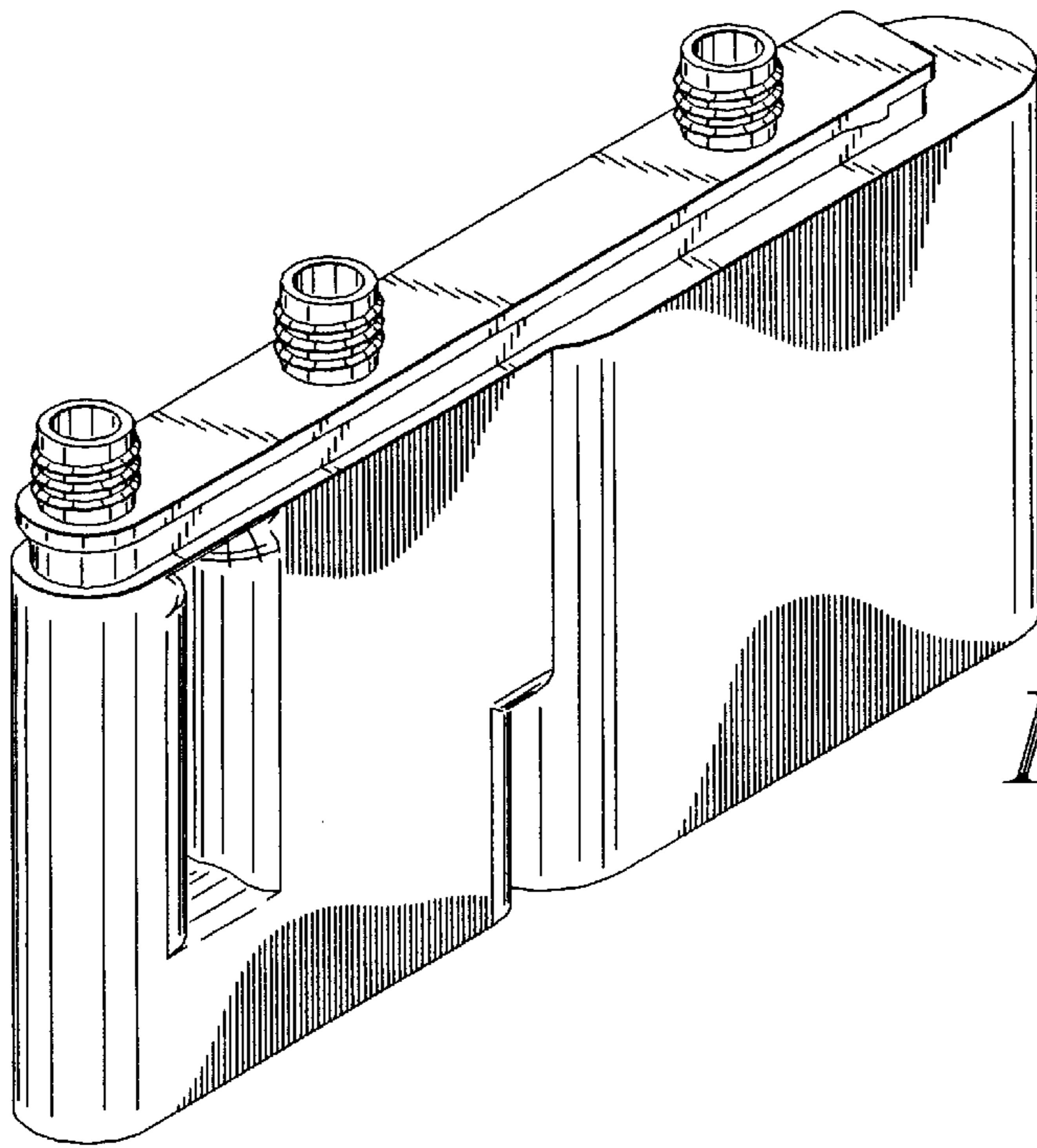


FIG. 1

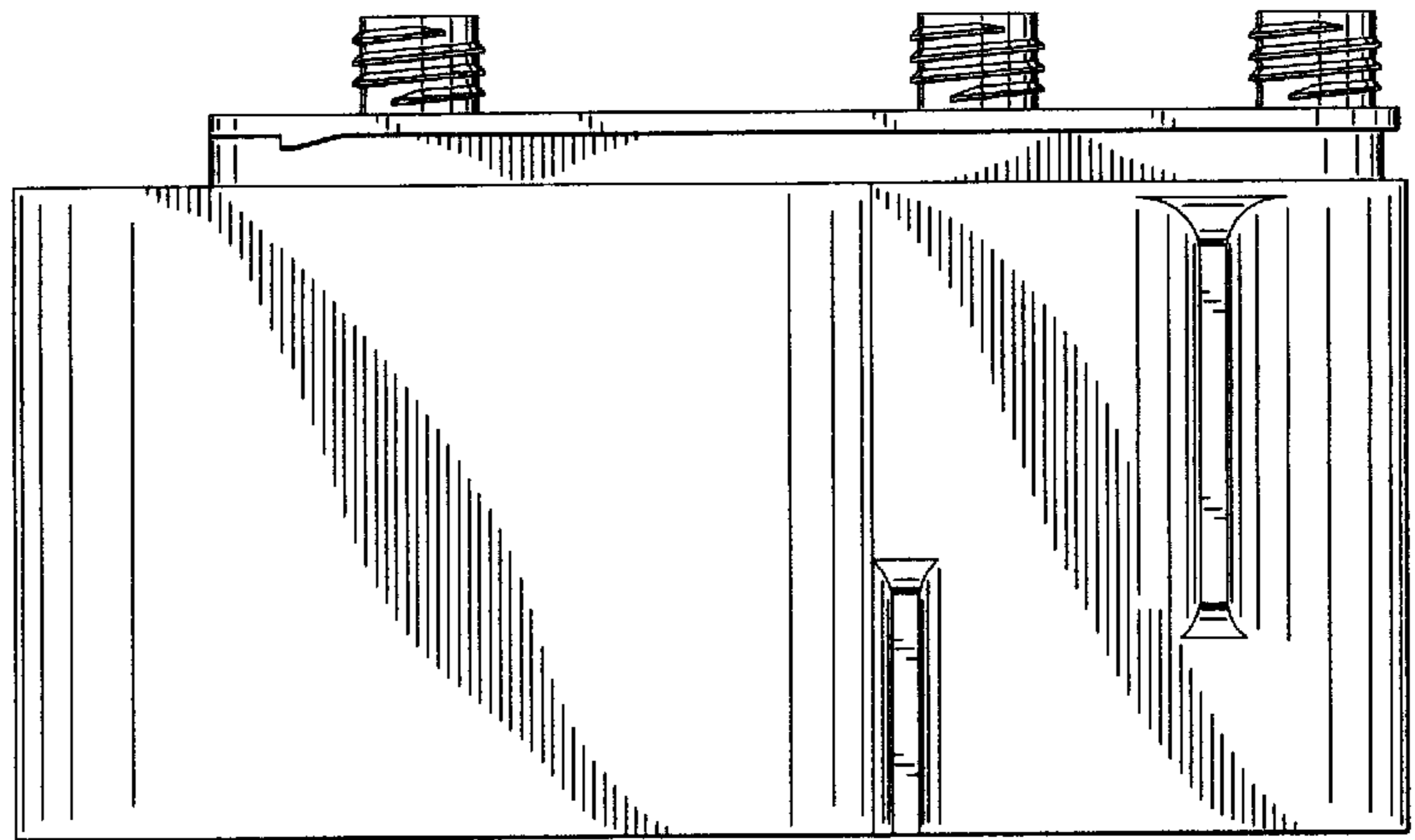


FIG. 2

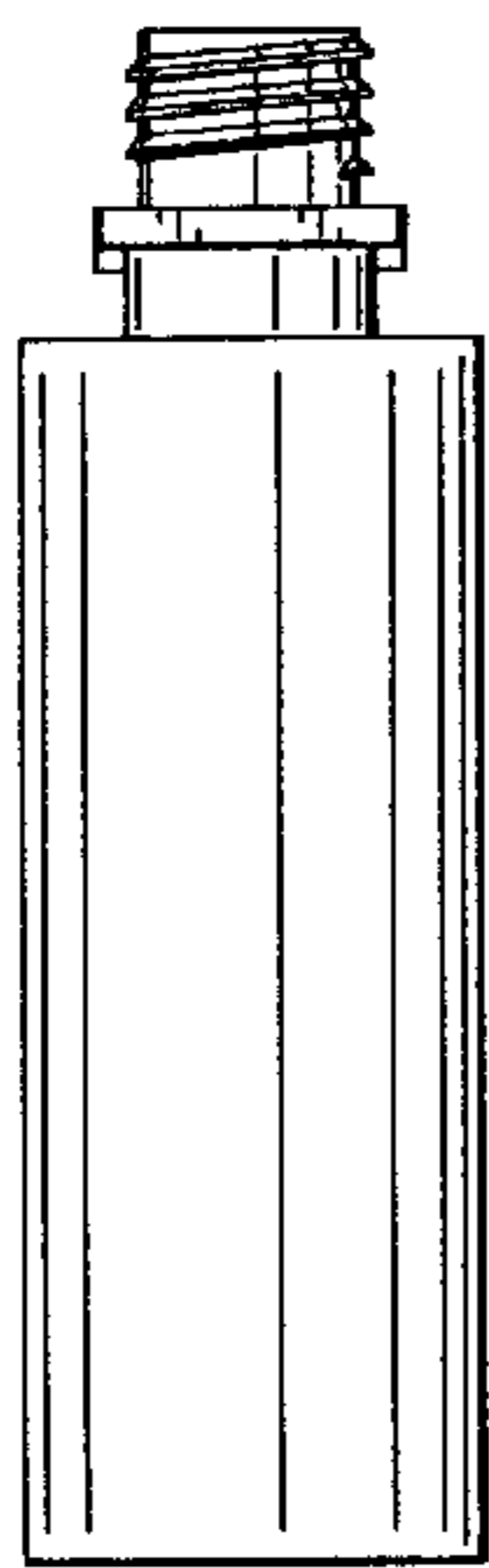


FIG. 3

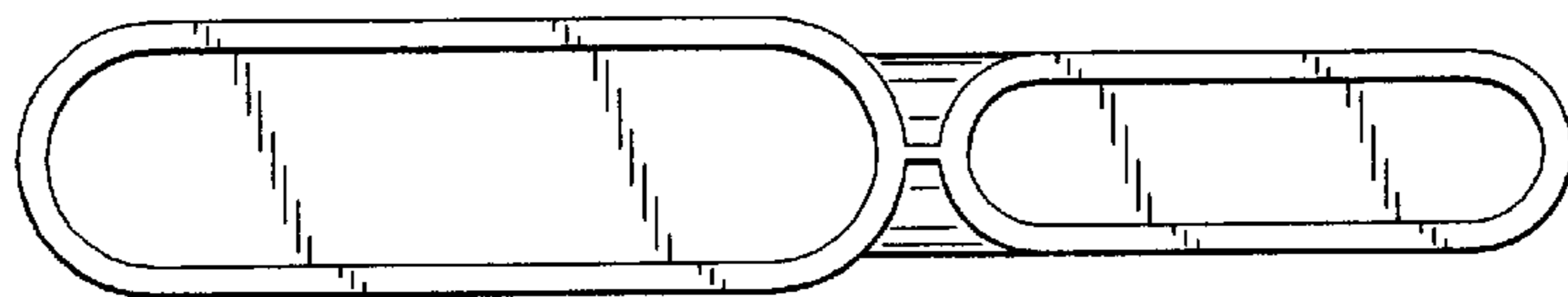


FIG. 4