



US00D400262S

United States Patent [19]

Hirakawa et al.

[11] **Patent Number: Des. 400,262**

[45] **Date of Patent: **Oct. 27, 1998**

[54] **COMBINED NERVE AND MUSCLE STIMULATOR**

5,048,523 9/1991 Yamasawa et al. 607/72 X
5,097,833 3/1992 Campos 607/68

[75] Inventors: **Maki Hirakawa**, Osaka-fu; **Keiichi Kitagawa**, Chiba-ken, both of Japan

Primary Examiner—Stella Reid
Attorney, Agent, or Firm—Burns, Doane, Swecker & Mathis, L.L.P.; William A. Knoeller

[73] Assignee: **Matsushita Electric Works, Ltd.**, Osaka, Japan

[57] **CLAIM**

[**] Term: **14 Years**

The ornamental design for a combined nerve and muscle stimulator, as shown and described.

[21] Appl. No.: **73,468**

DESCRIPTION

[22] Filed: **Jul. 9, 1997**

[30] **Foreign Application Priority Data**

Jan. 9, 1997 [JP] Japan 9-431

FIG. 1 is a perspective view of our new design for a combined nerve and muscle stimulator showing the main body assembled with the case;
FIG. 2 is a front view thereof;
FIG. 3 is a rear view thereof;
FIG. 4 is a plan view thereof;
FIG. 5 is a bottom view thereof;
FIG. 6 is a right side view thereof;
FIG. 7 is a left side view thereof;
FIG. 8 is a left side view of the main body thereof with the case removed;
FIG. 9 is a rear view of the main body thereof; and,
FIG. 10 is a front view of the case with the main body removed.

[51] **LOC (6) Cl.** **28-03**

[52] **U.S. Cl.** **D24/215**

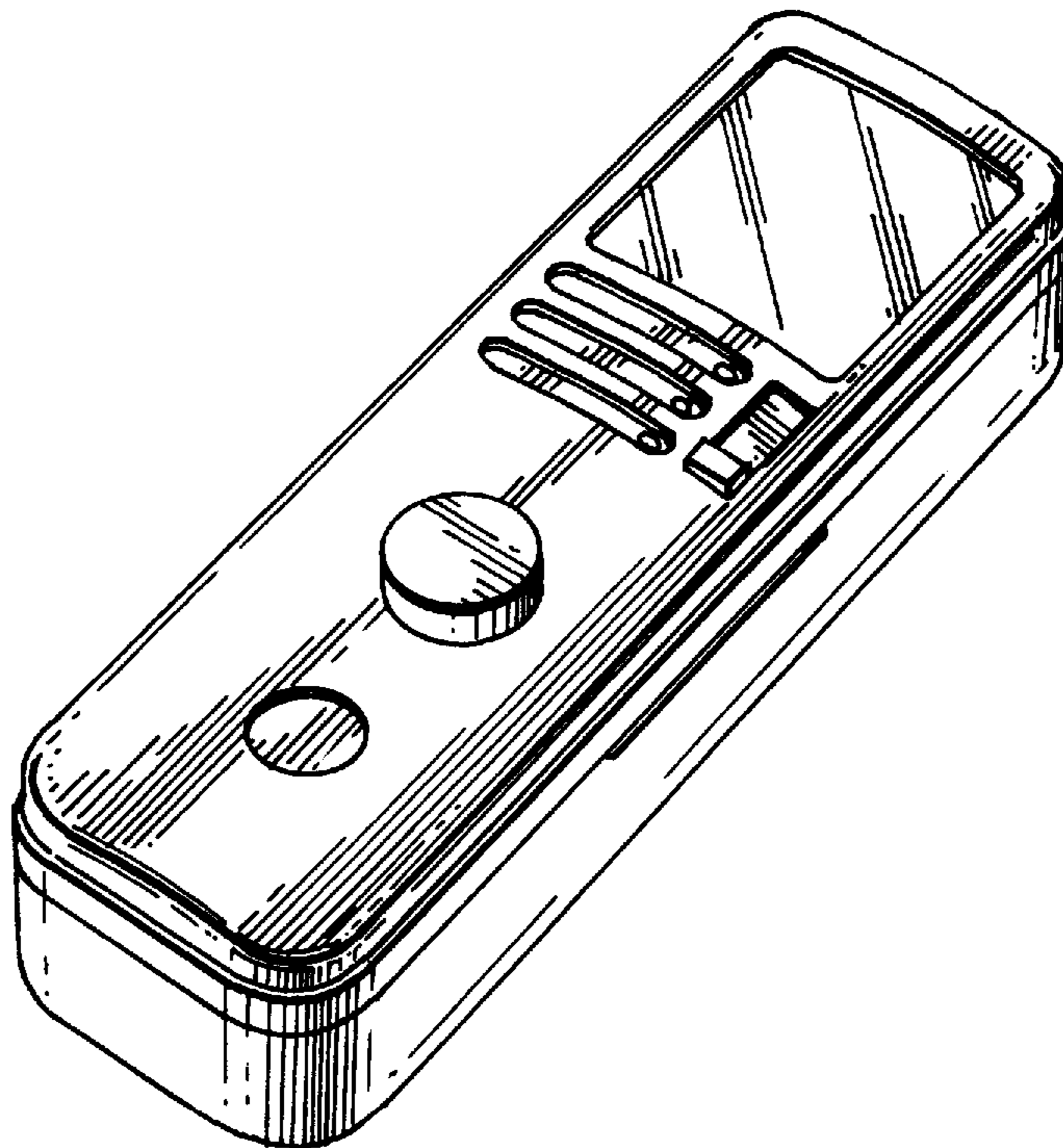
[58] **Field of Search** D24/215; 607/48, 607/46, 49, 50, 68, 72, 74

[56] **References Cited**

U.S. PATENT DOCUMENTS

- D. 290,751 7/1987 Montalbano et al. D24/200
- D. 323,561 1/1992 Bartelt et al. D24/200
- D. 382,345 8/1997 Minogue D24/200
- 4,919,140 4/1990 Borgens et al. 607/50

1 Claim, 2 Drawing Sheets



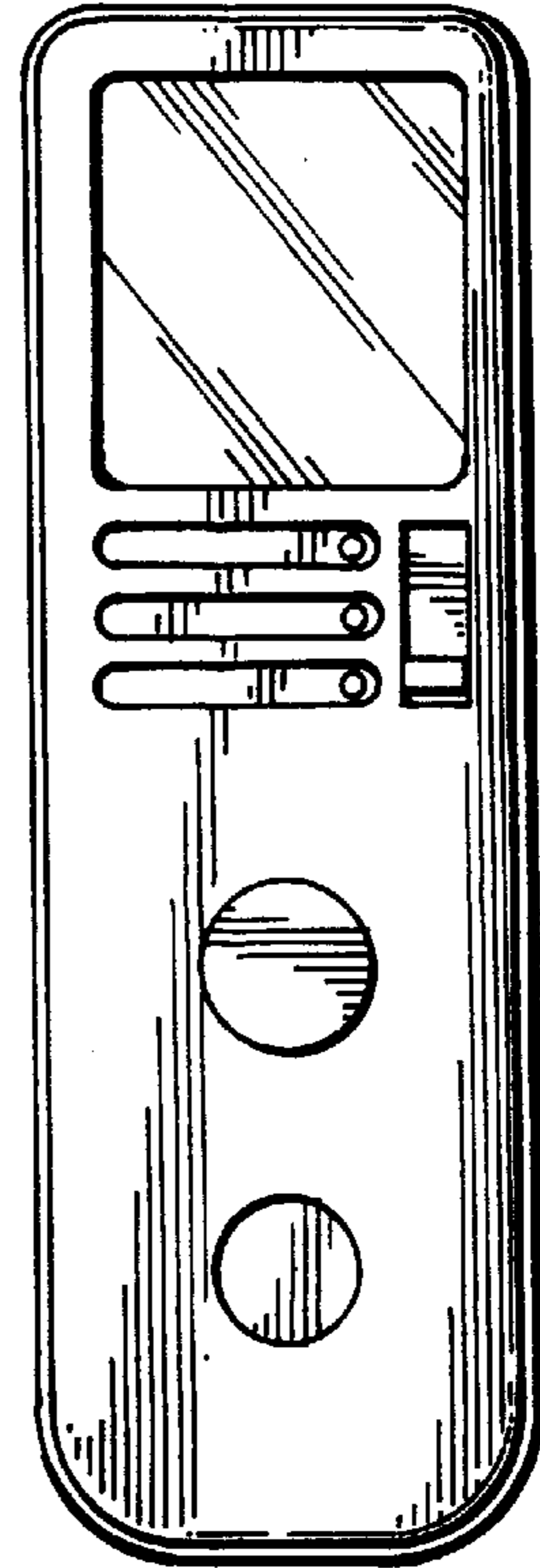
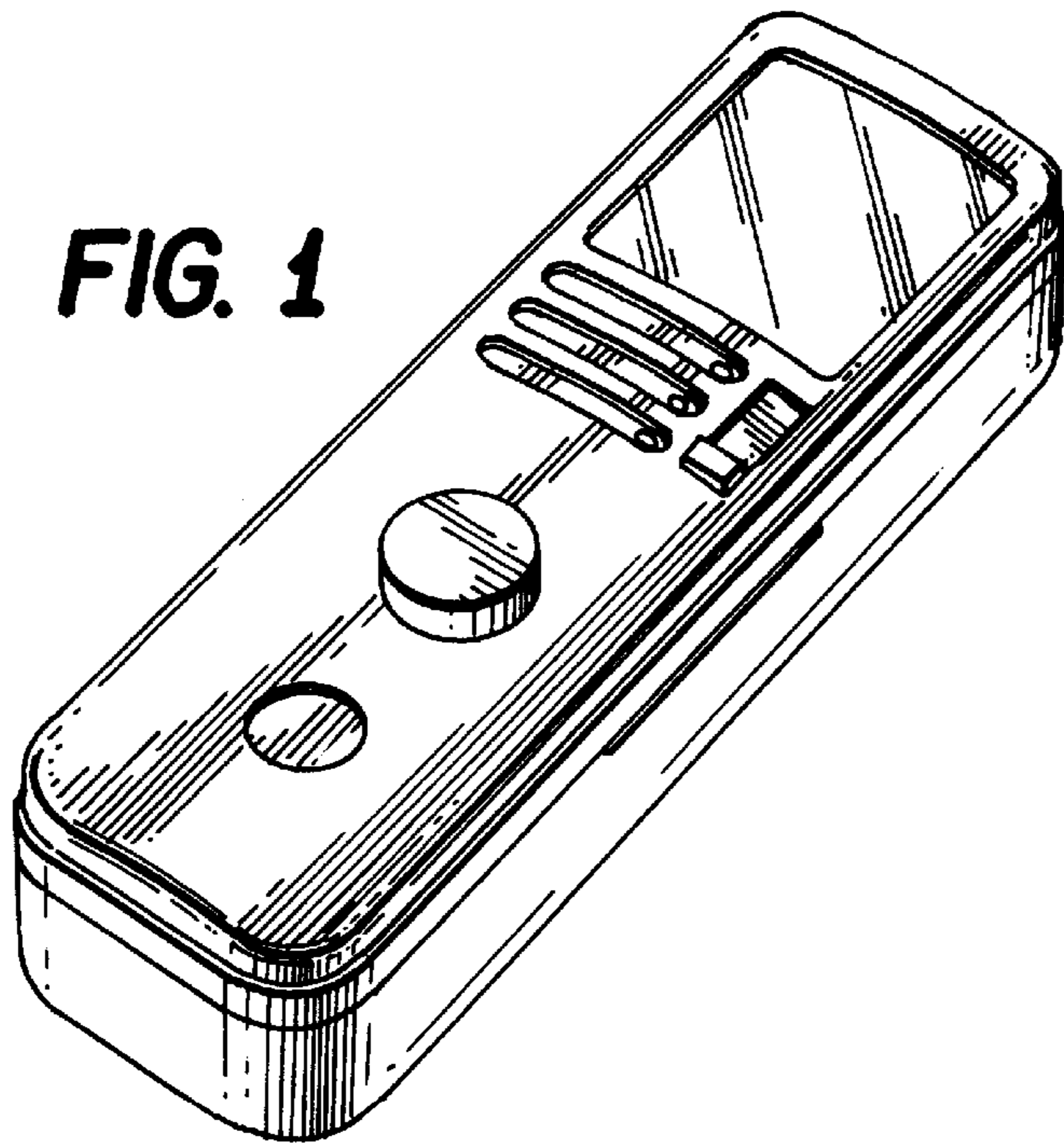


FIG. 2

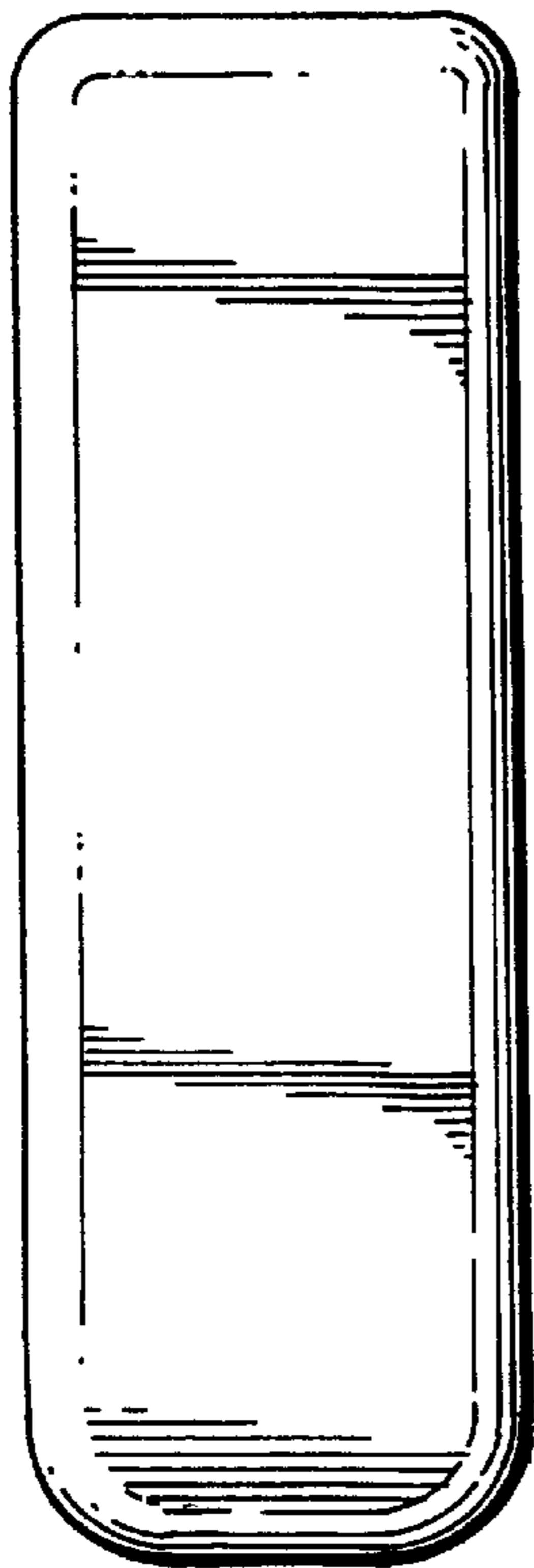


FIG. 3

FIG. 4

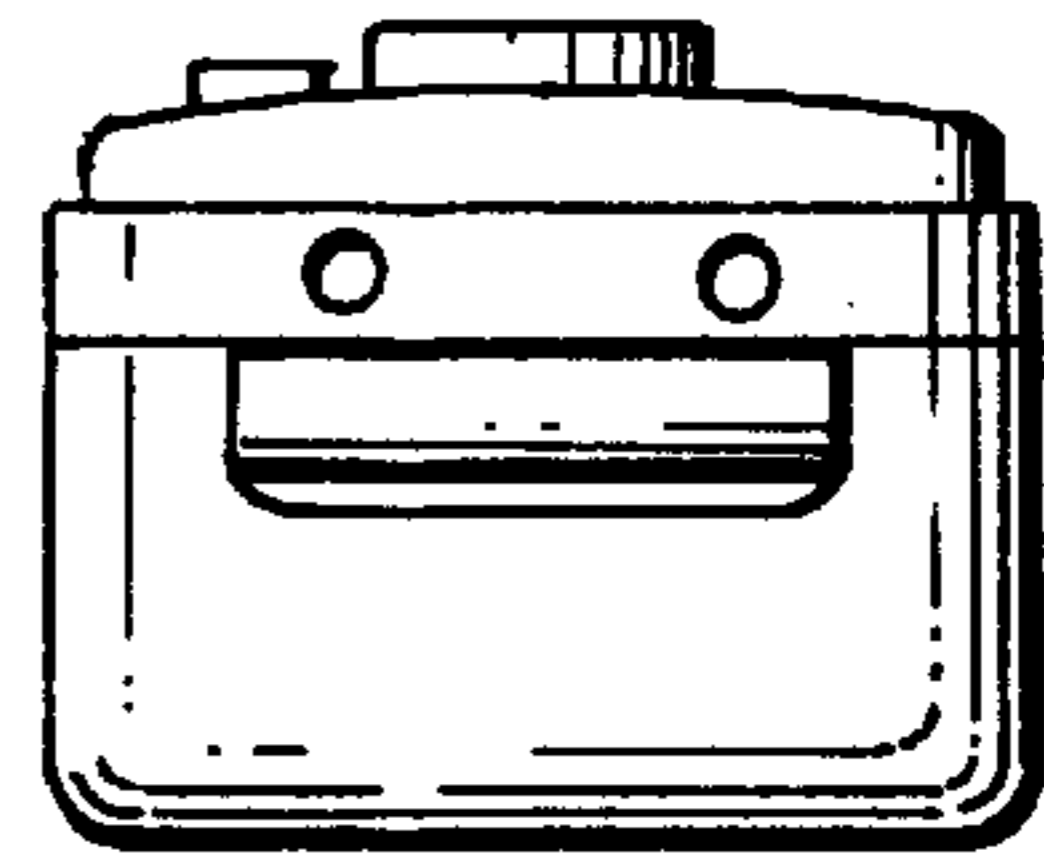
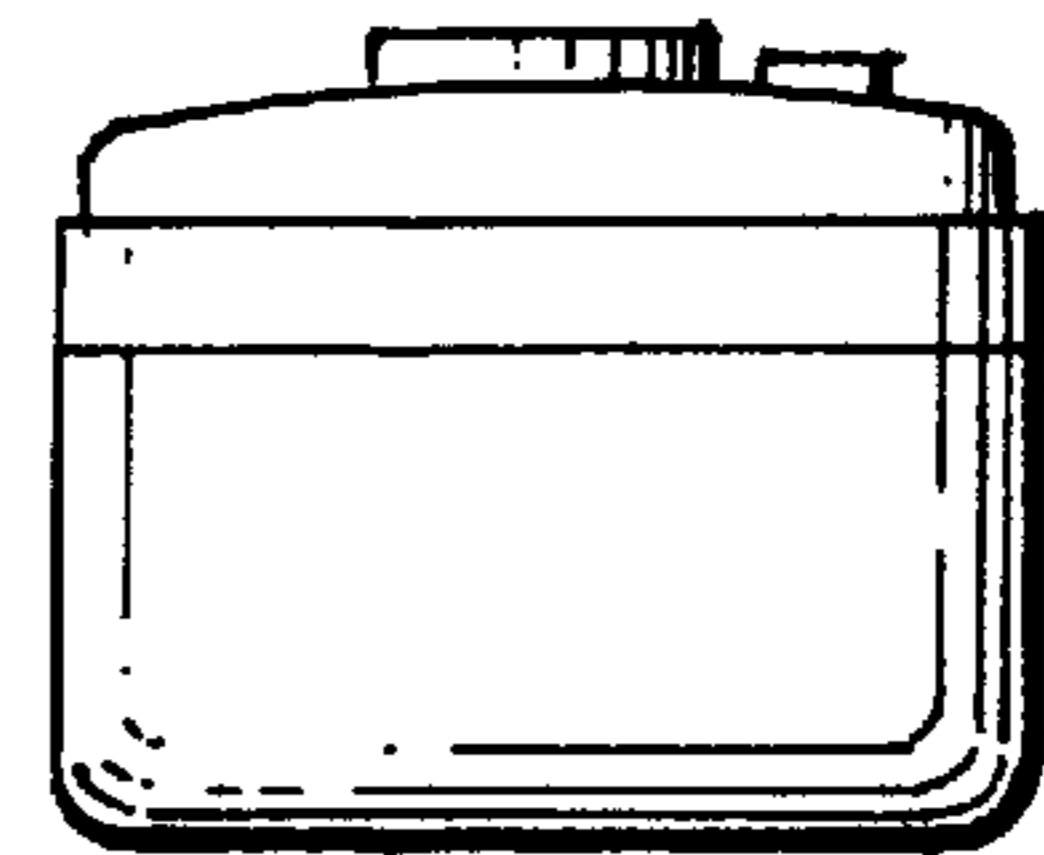


FIG. 5



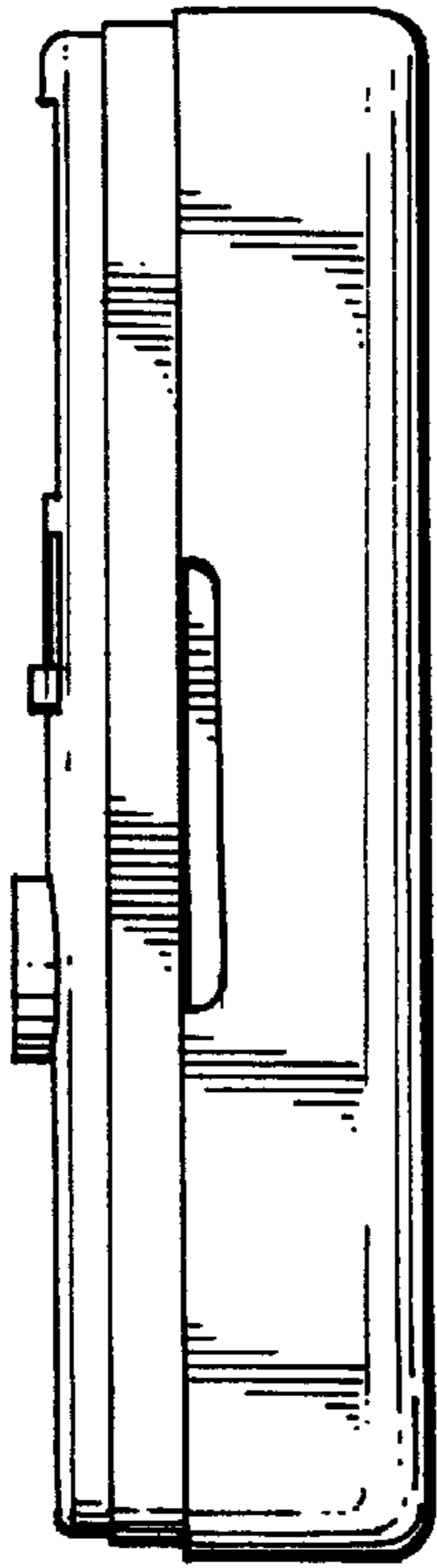


FIG. 6

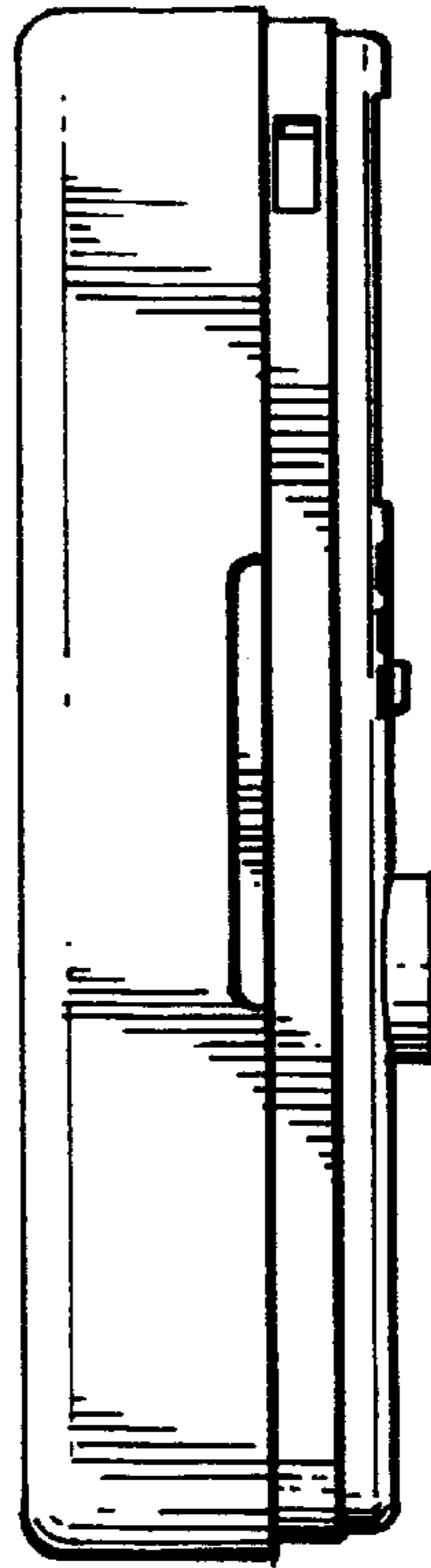


FIG. 7

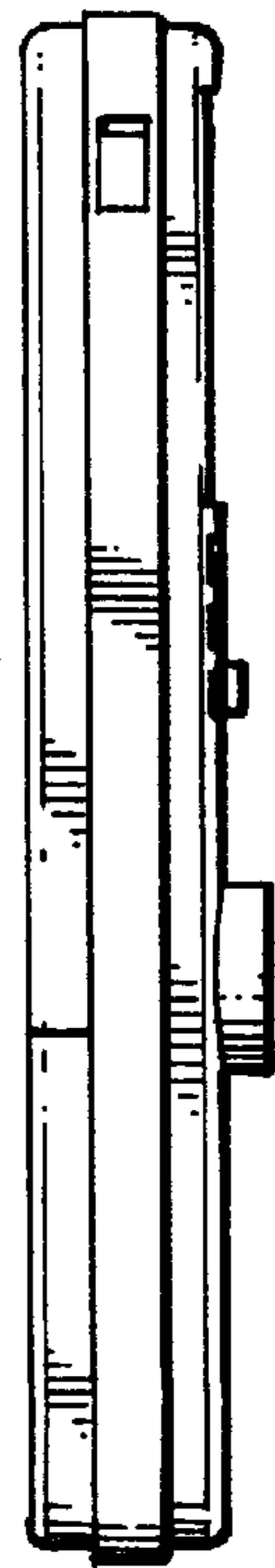


FIG. 8

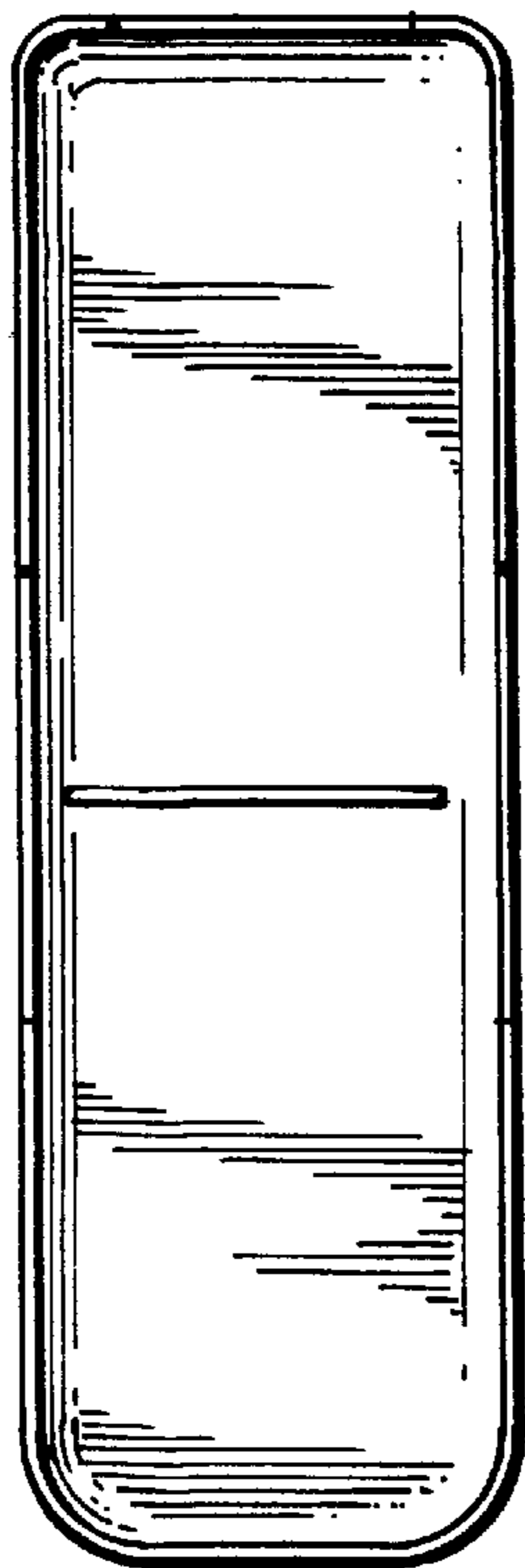


FIG. 10

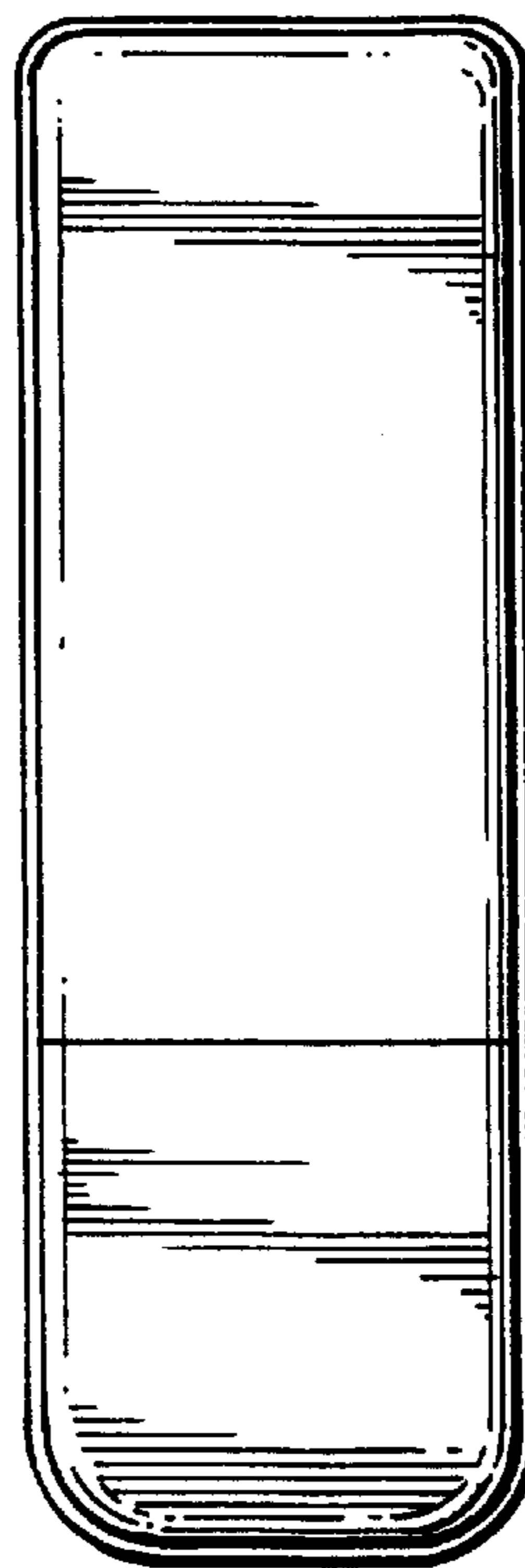


FIG. 9