



US00D400256S

# United States Patent [19] Fagan

[11] **Patent Number: Des. 400,256**

[45] **Date of Patent: \*\*Oct. 27, 1998**

[54] **PACIFIER**

5,300,089 4/1994 Sassin .  
5,395,392 3/1995 Suhonen .

[76] Inventor: **Patricia A. Fagan**, 112 Alexander Ave.,  
Upper Montclair, N.J. 07043

*Primary Examiner*—Stella Reid  
*Attorney, Agent, or Firm*—Weingram & Associates, P.C.

[\*\*] Term: **14 Years**

### [57] CLAIM

[21] Appl. No.: **74,815**

I claim the ornamental design for a pacifier, as shown and described.

[22] Filed: **Aug. 8, 1997**

### DESCRIPTION

[51] **LOC (6) Cl.** ..... **24-04**

[52] **U.S. Cl.** ..... **D24/194**

[58] **Field of Search** ..... D24/194, 193;  
606/234, 235, 236

FIG. 1 is a top perspective view of a pacifier, showing my new design;

FIG. 2 is a top plan view thereof, the bottom plan view being a mirror image thereof;

FIG. 3 is a side elevational view thereof;

FIG. 4 is a side elevational view thereof, opposite that shown in FIG. 3;

FIG. 5 is an end elevational view thereof;

FIG. 6 is an end elevational view thereof; opposite that shown in FIG. 5;

FIG. 7 is a top perspective view of an alternate embodiment of the pacifier, showing my new design;

FIG. 8 is a top plan view thereof, the bottom plan view being a mirror image thereof;

FIG. 9 is a side elevational view thereof;

FIG. 10 is a side elevational view thereof, opposite that shown in FIG. 9; and,

FIG. 11 is an end elevational view thereof.

### [56] References Cited

#### U.S. PATENT DOCUMENTS

58,186	9/1866	Bourguard .	
D. 232,667	9/1974	Topalis .....	D24/194
D. 343,651	1/1994	Spence, Jr. ....	D24/194
D. 343,654	1/1994	Spence, Jr. ....	D24/194
D. 344,987	3/1994	Spence, Jr. ....	D24/194
D. 345,389	3/1994	Spence, Jr. ....	D24/194
1,194,246	8/1916	Shambaugh .	
1,298,616	3/1919	Wilson .	
1,586,499	5/1926	Worth .	
1,749,632	3/1930	Ferris .	
2,566,595	9/1951	Cameron .	
3,892,243	7/1975	Bell .	
5,013,321	5/1991	MacVane .	
5,123,915	6/1992	Miller et al. .	
5,284,490	2/1994	Green .	

**1 Claim, 2 Drawing Sheets**

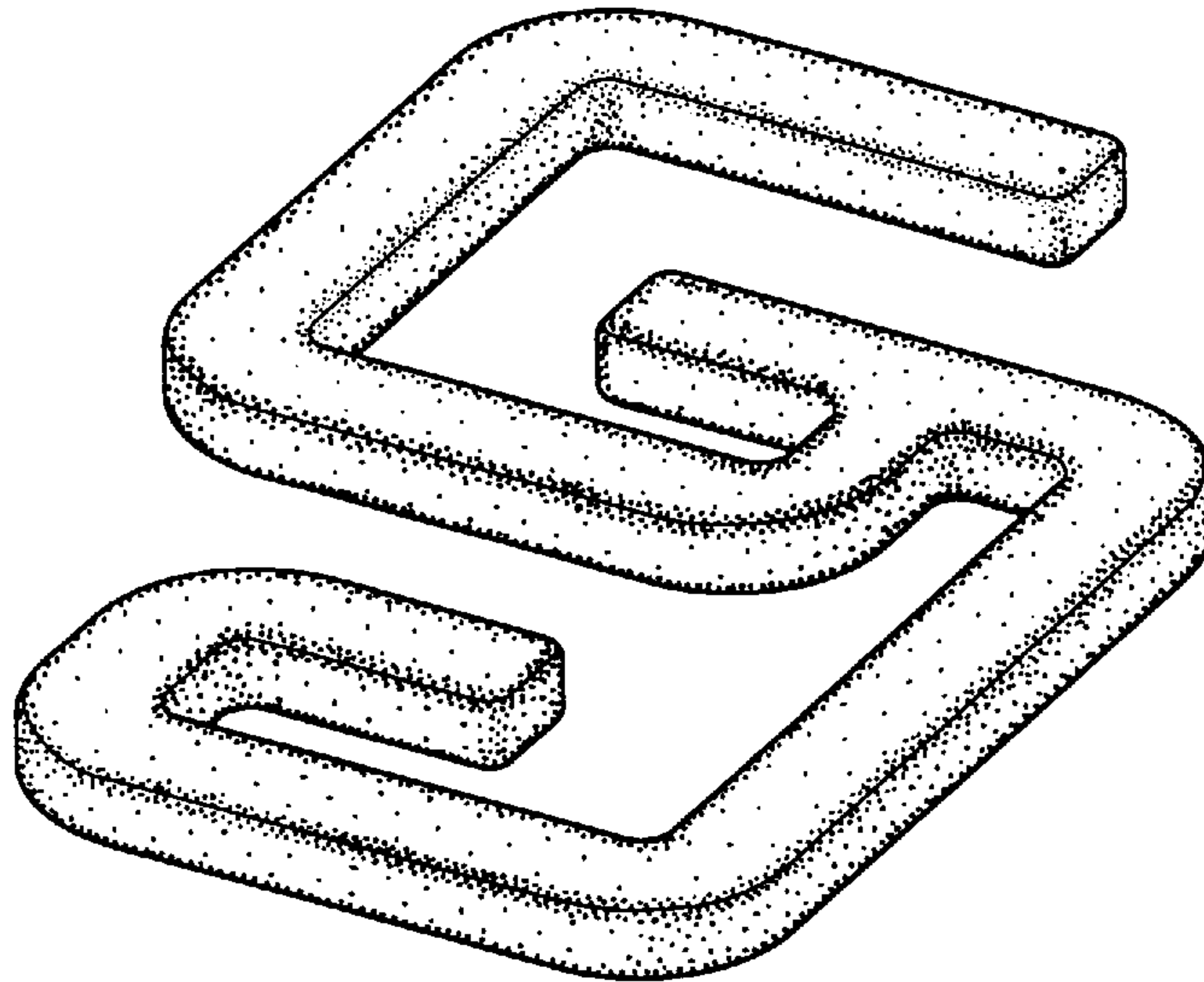


FIG. 1

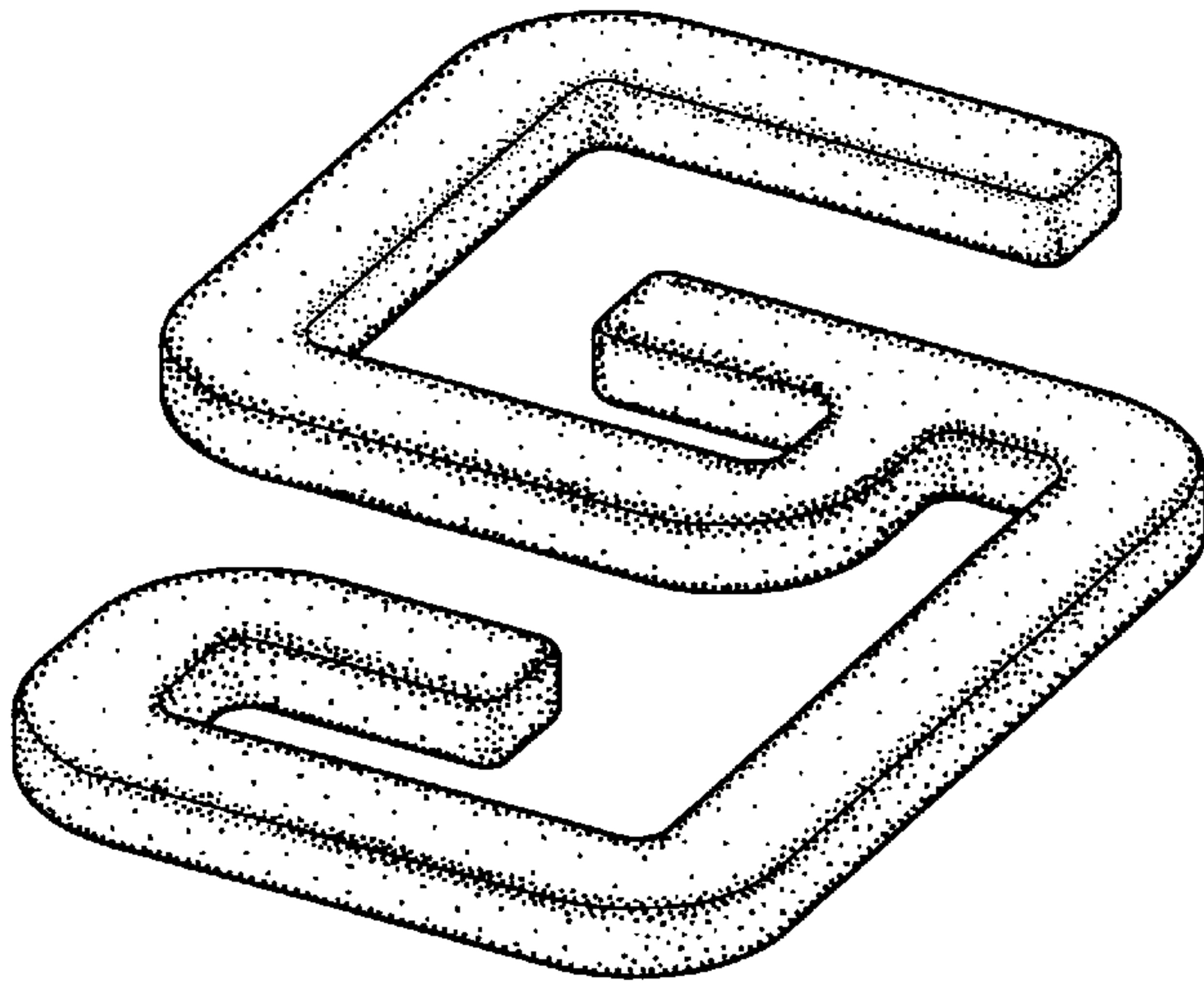


FIG. 2

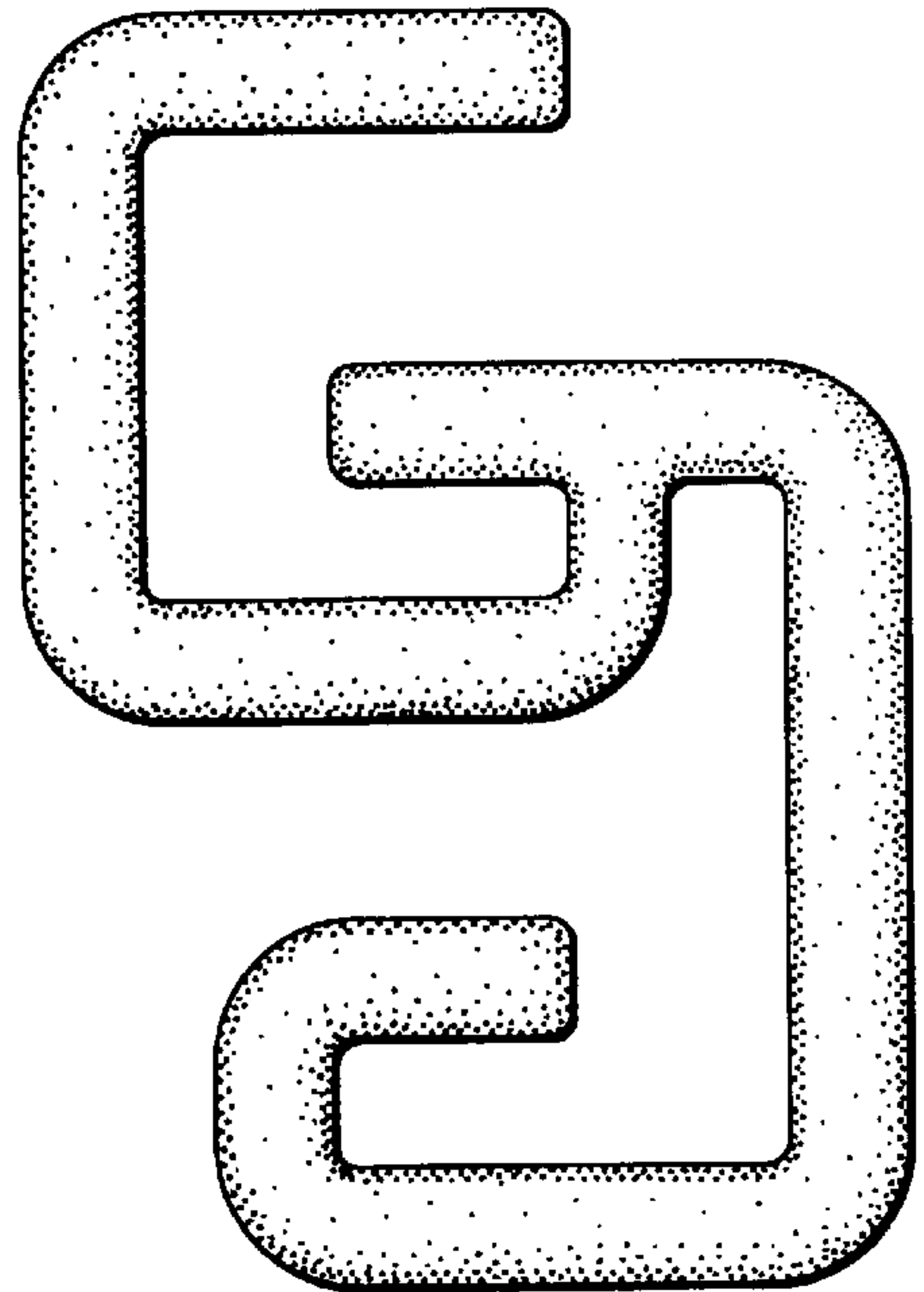


FIG. 3

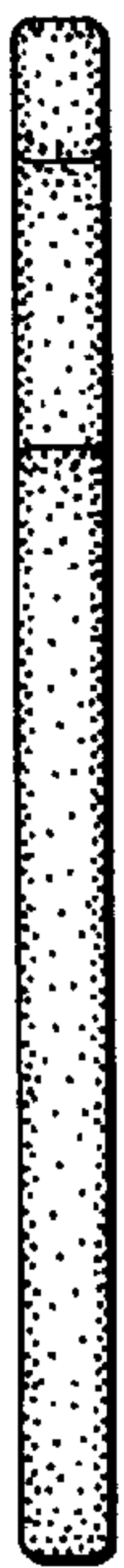


FIG. 4



FIG. 5



FIG. 6



FIG. 7

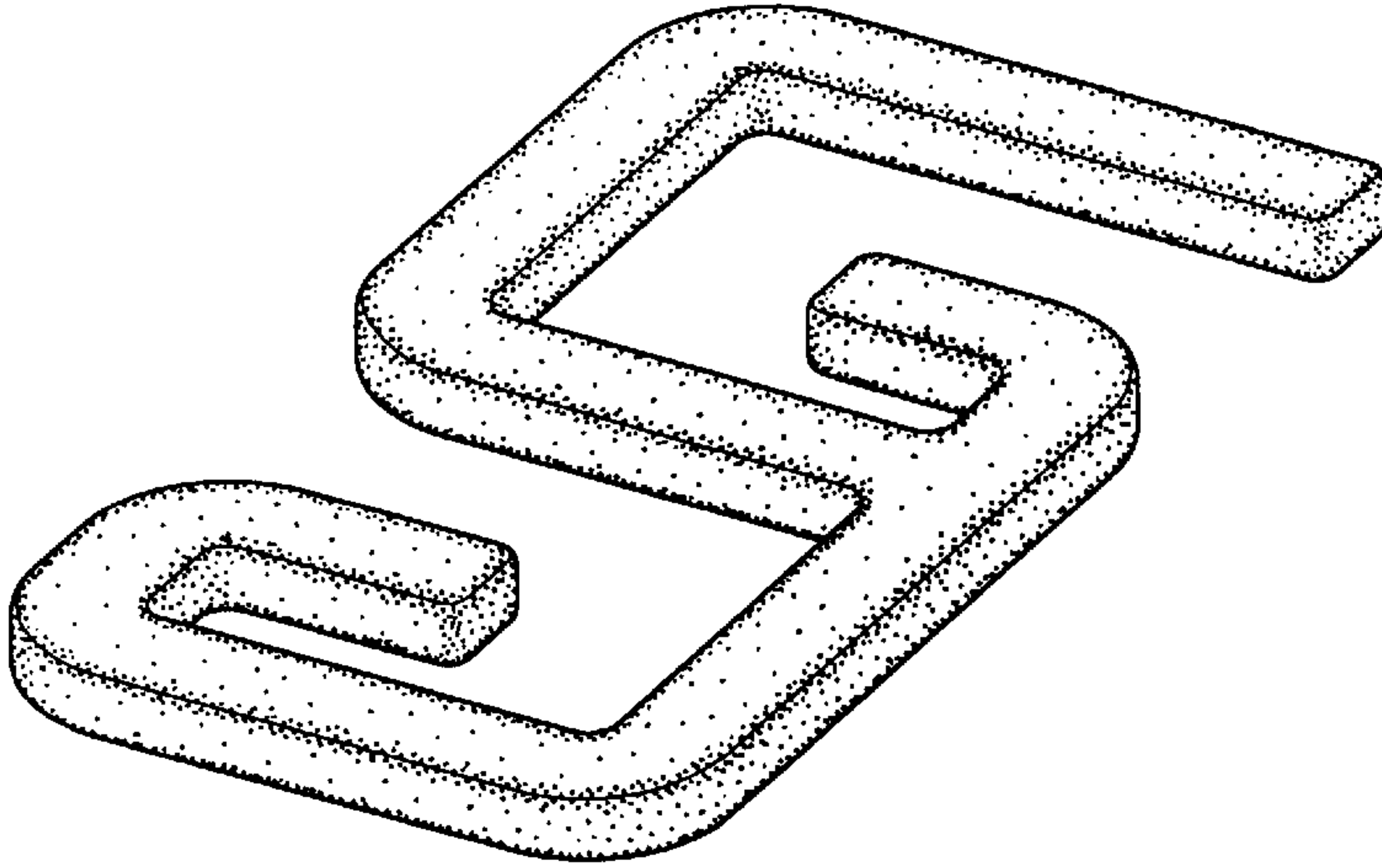


FIG. 8

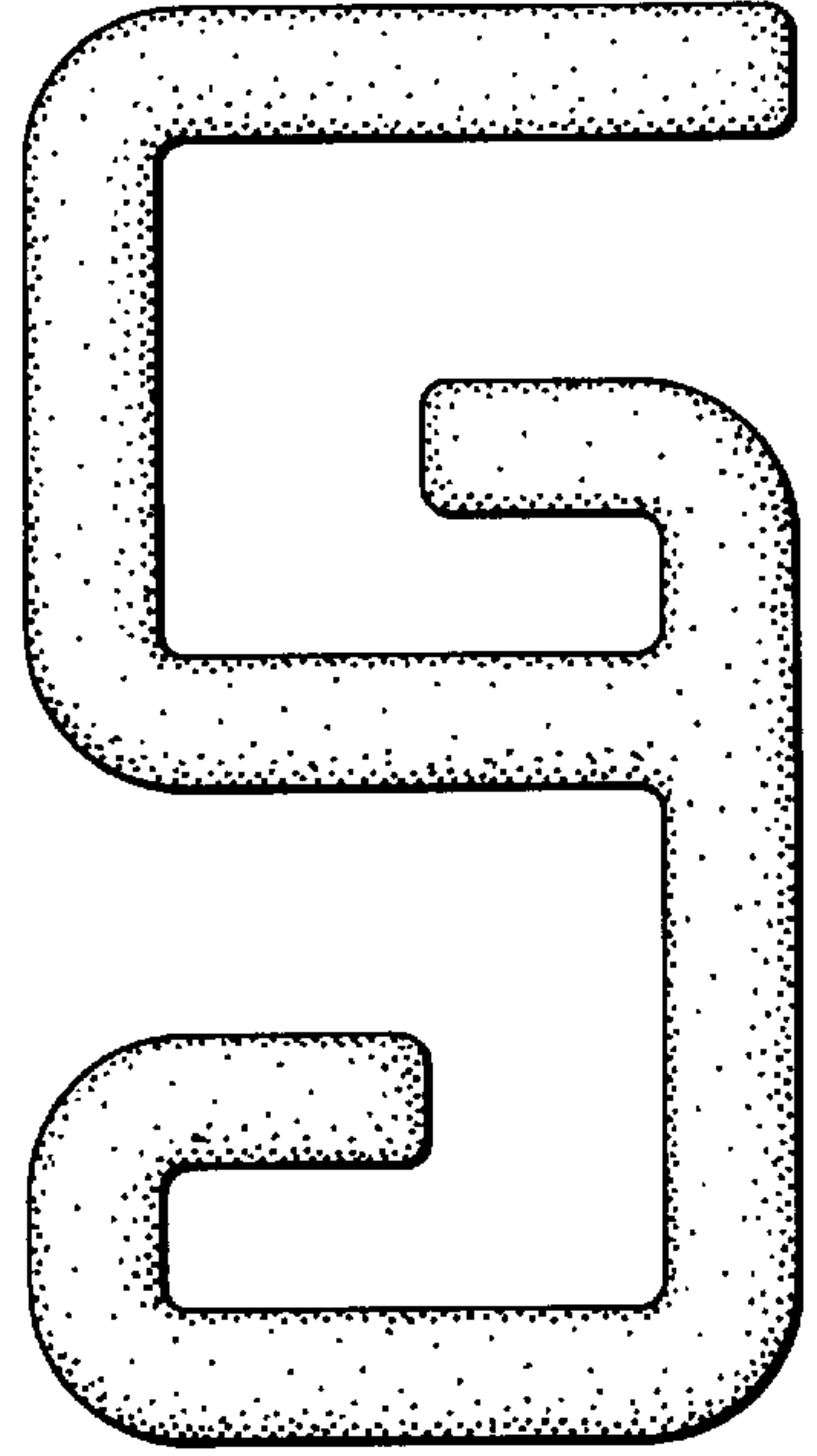


FIG. 9

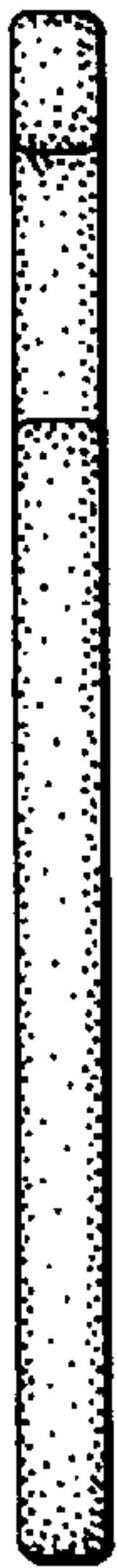


FIG. 10



FIG. 11

