



US00D400251S

United States Patent [19]

Ropiak et al.

[11] Patent Number: Des. 400,251

[45] Date of Patent: **Oct. 27, 1998

[54] FLEXIBLE MEDICAL FLUID CONTAINER

[75] Inventors: Irene K. Ropiak, Somerset; John J. Niedospial, Jr., Burlington, both of N.J.

[73] Assignee: Bracco Diagnostics Inc., Princeton, N.J.

[**] Term: 14 Years

[21] Appl. No.: 61,706

[22] Filed: Oct. 29, 1996

[51] LOC (6) Cl. 24-02

[52] U.S. Cl. D24/118

[58] Field of Search D24/118, 117, D24/129, 122, 127; D9/302, 305, 306, 416, 417; 604/342, 334, 343, 333, 336, 339, 332, 903, 167, 262, 409, 414, 410, 256, 257, 259, 408, 317, 329, 323, 403, 283; 426/106; 128/DIG. 24

D. 302,306	7/1989	Steer	D24/51
D. 302,307	7/1989	Steer	D24/51
D. 303,574	9/1989	Steer	D24/51
D. 303,575	9/1989	Steer	D24/51
D. 306,759	3/1990	D'Alo	D24/58
D. 323,389	1/1992	Aoki et al.	D24/58
D. 347,993	6/1994	Lane et al.	D9/305
D. 354,129	1/1995	Salvadori	D24/118
D. 354,906	1/1995	Lane et al.	D9/305
D. 385,029	10/1997	Callan et al.	D24/118
D. 385,031	10/1997	Ropiak et al.	D24/118
4,132,594	1/1979	Bank et al.	128/DIG. 24
4,413,771	11/1983	Rohde et al.	604/401 X

Primary Examiner—Susan J. Lucas
Assistant Examiner—Cynthia E. Ramirez
Attorney, Agent, or Firm—Imre Balogh

[57] CLAIM

The ornamental design for a flexible medical fluid container, as shown and described.

DESCRIPTION

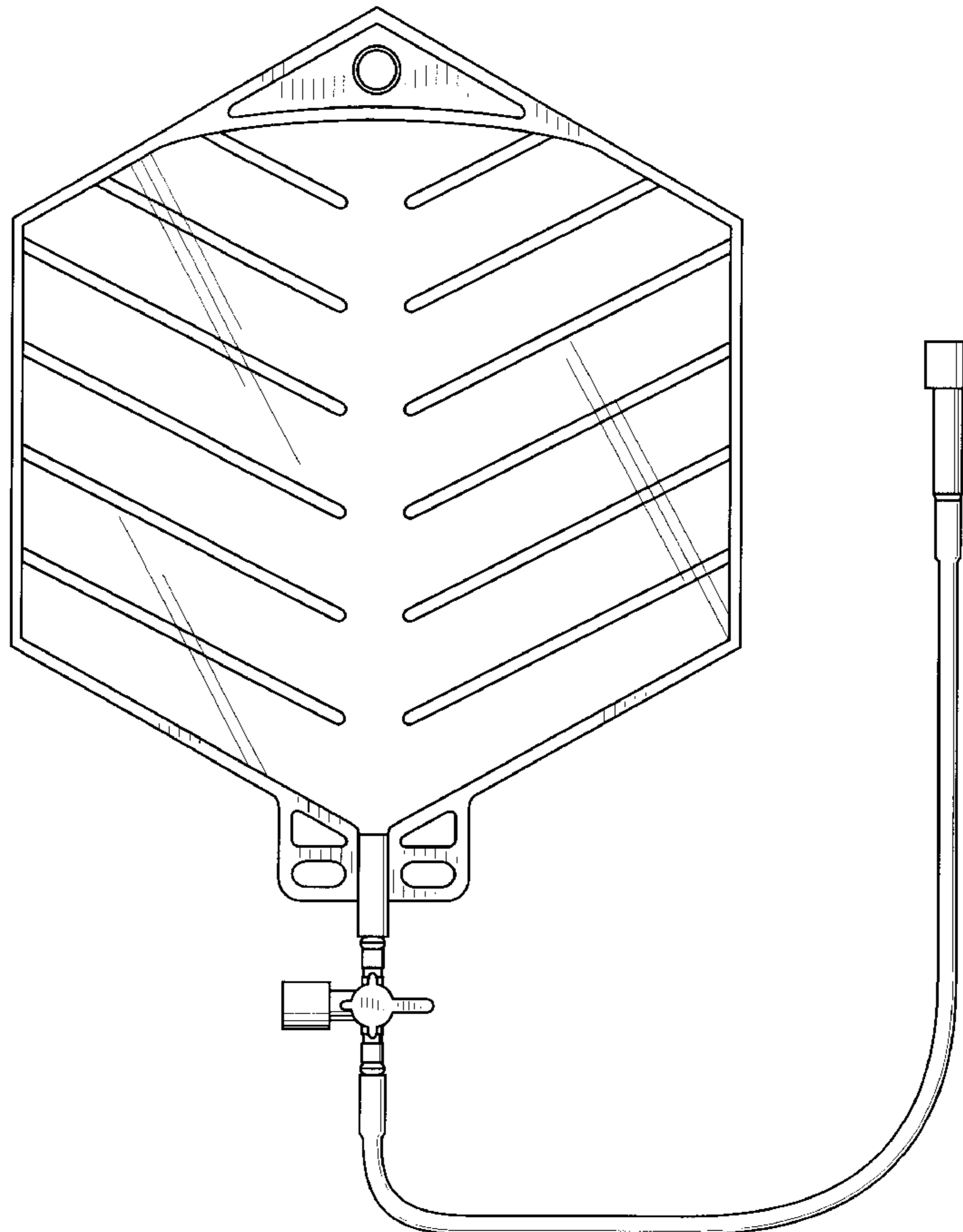
FIG. 1 is a front elevational view of a flexible medical fluid container showing our new design; FIG. 2 is a left side elevational view thereof; FIG. 3 is a right side elevational view thereof; FIG. 4 is a rear elevational view thereof; FIG. 5 is a top plan view thereof; and, FIG. 6 is a bottom plan view thereof.

1 Claim, 2 Drawing Sheets

[56] References Cited

U.S. PATENT DOCUMENTS

D. 109,549	5/1938	Dabroski .	
D. 192,987	1/1962	Waldman D83/1
D. 200,034	1/1965	Zytka et al. D83/1
D. 229,786	1/1974	Kinkel et al. D83/1
D. 284,035	5/1986	Leeuwe et al. D24/58
D. 298,567	11/1988	Morris D24/58



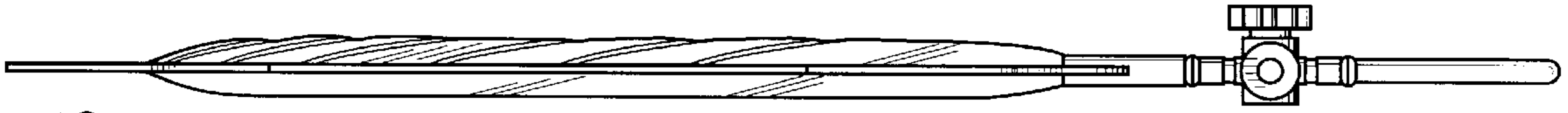


FIG. 3

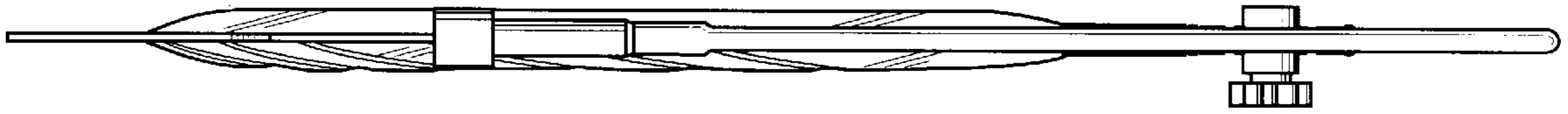


FIG. 2

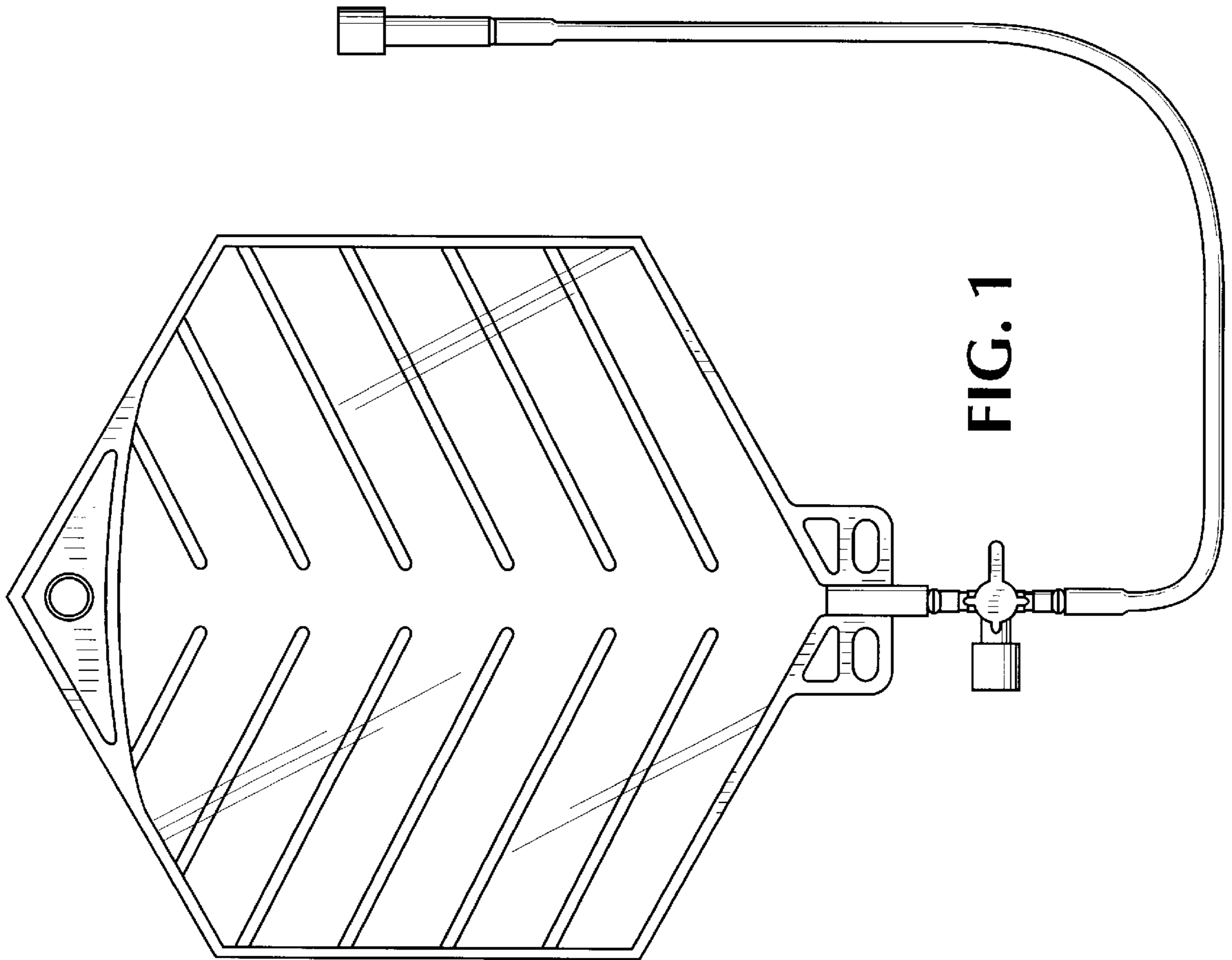


FIG. 1

FIG. 5

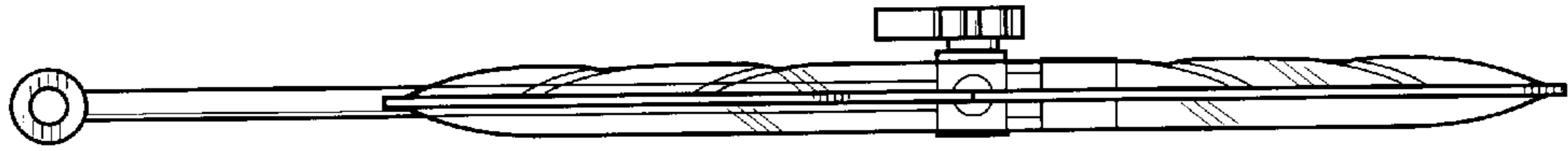


FIG. 4

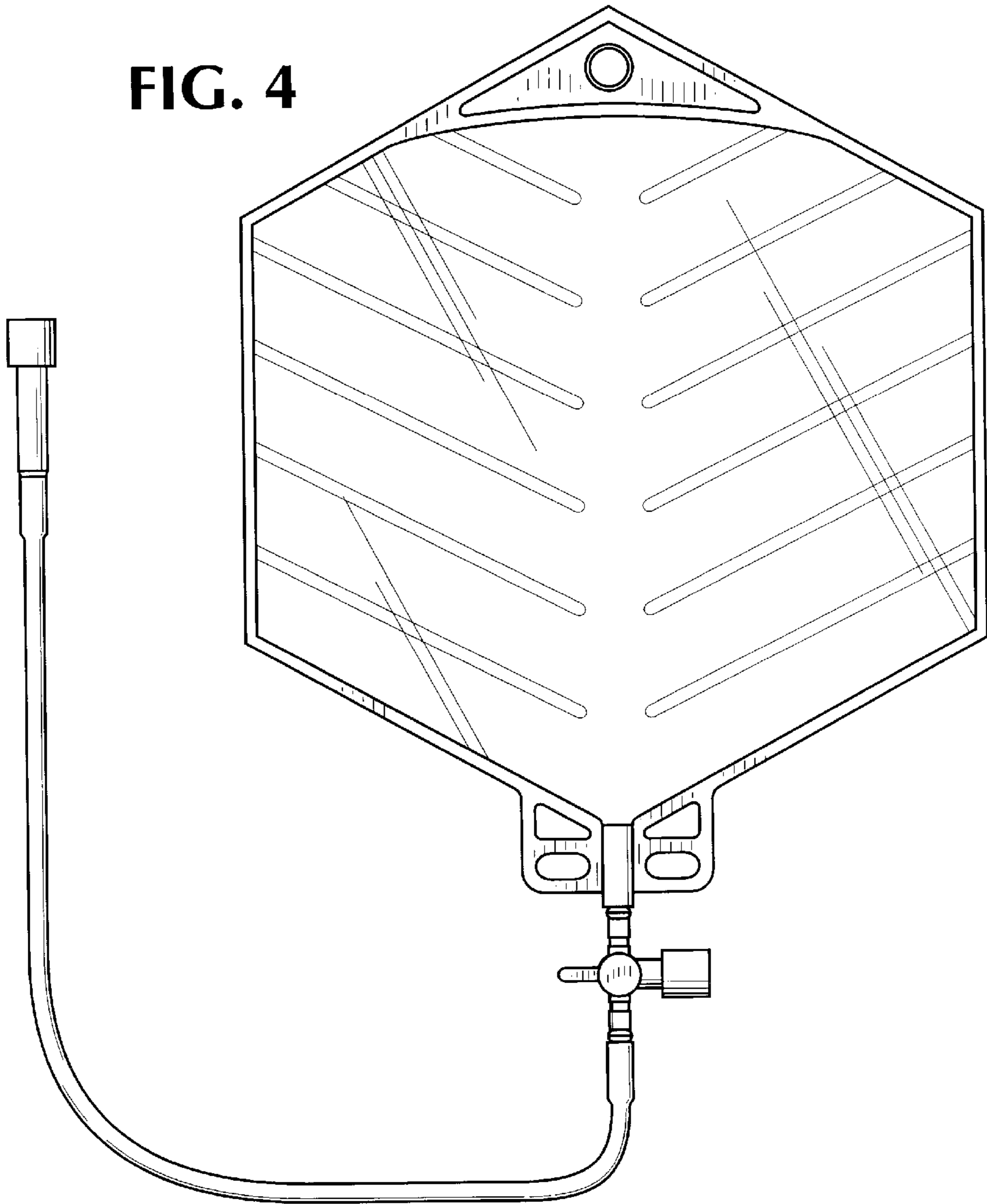


FIG. 6

