



US00D400250S

# United States Patent [19]

Ropiak et al.

[11] Patent Number: **Des. 400,250**

[45] Date of Patent: **\*\*Oct. 27, 1998**

[54] FLEXIBLE MEDICAL FLUID CONTAINER

[75] Inventors: **Irene K. Ropiak**, Somerset; **John J. Niedospial, Jr.**, Burlington, both of N.J.

[73] Assignee: **Bracco Diagnostics Inc.**, Princeton, N.J.

[\*\*] Term: **14 Years**

[21] Appl. No.: **61,705**

[22] Filed: **Oct. 29, 1996**

[51] LOC (6) Cl. .... **24-02**

[52] U.S. Cl. .... **D24/118**

[58] Field of Search ..... D24/118, 117, D24/129, 122, 127; D9/302, 305, 306, 416, 417; 604/342, 334, 343, 336, 339, 332, 903, 167, 262, 409, 414, 410, 256, 257, 259, 408, 317, 329, 323, 403, 283, 333; 426/106; 128/DIG. 24

D. 302,306	7/1989	Steer	.....	D24/51
D. 302,307	7/1989	Steer	.....	D24/51
D. 303,574	9/1989	Steer	.....	D24/51
D. 303,575	9/1989	Steer	.....	D24/51
D. 306,759	3/1990	D'Alo	.....	D24/58
D. 323,389	1/1992	Aoki et al.	.....	D24/117
D. 347,993	6/1994	Lane et al.	.....	D9/305
D. 354,129	1/1995	Salvadori	.....	D24/118
D. 354,906	1/1995	Lane et al.	.....	D9/305
D. 385,029	10/1997	Callan et al.	.....	D24/118
D. 385,031	10/1997	Ropiak et al.	.....	D24/118
4,132,594	1/1979	Bank et al.	.....	128/DIG. 24
4,413,771	11/1983	Rohde et al.	.....	604/401 X

*Primary Examiner*—Susan J. Lucas  
*Assistant Examiner*—Cynthia E. Ramirez  
*Attorney, Agent, or Firm*—Imre Balogh

### [57] CLAIM

The ornamental design for a flexible medical fluid container, as shown and described.

### DESCRIPTION

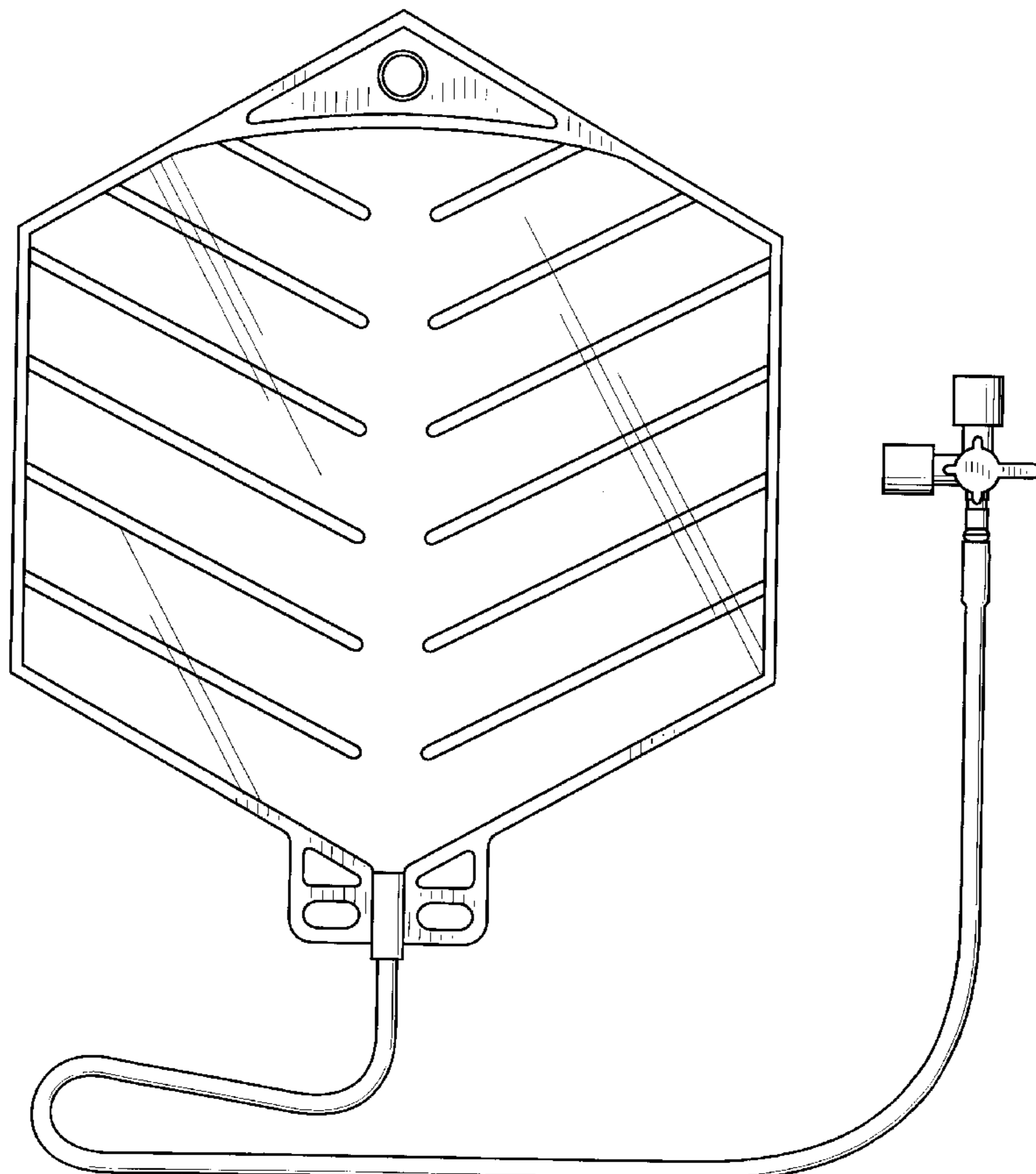
FIG. 1 is a front elevational view of a flexible medical fluid container showing our new design; FIG. 2 is a left side elevational view thereof; FIG. 3 is a right side elevational view thereof; FIG. 4 is a rear elevational view thereof; FIG. 5 is a top plan view thereof; and, FIG. 6 is a bottom plan view thereof.

**1 Claim, 2 Drawing Sheets**

### [56] References Cited

#### U.S. PATENT DOCUMENTS

D. 109,549	5/1938	Dabroski .	
D. 192,987	1/1962	Waldman	..... D83/1
D. 200,034	1/1965	Zytco et al.	..... D83/1
D. 229,786	1/1974	Kinkel et al.	..... D83/1 U
D. 284,035	5/1986	Leeuwe et al.	..... D24/58
D. 298,567	11/1988	Morris	..... D24/58



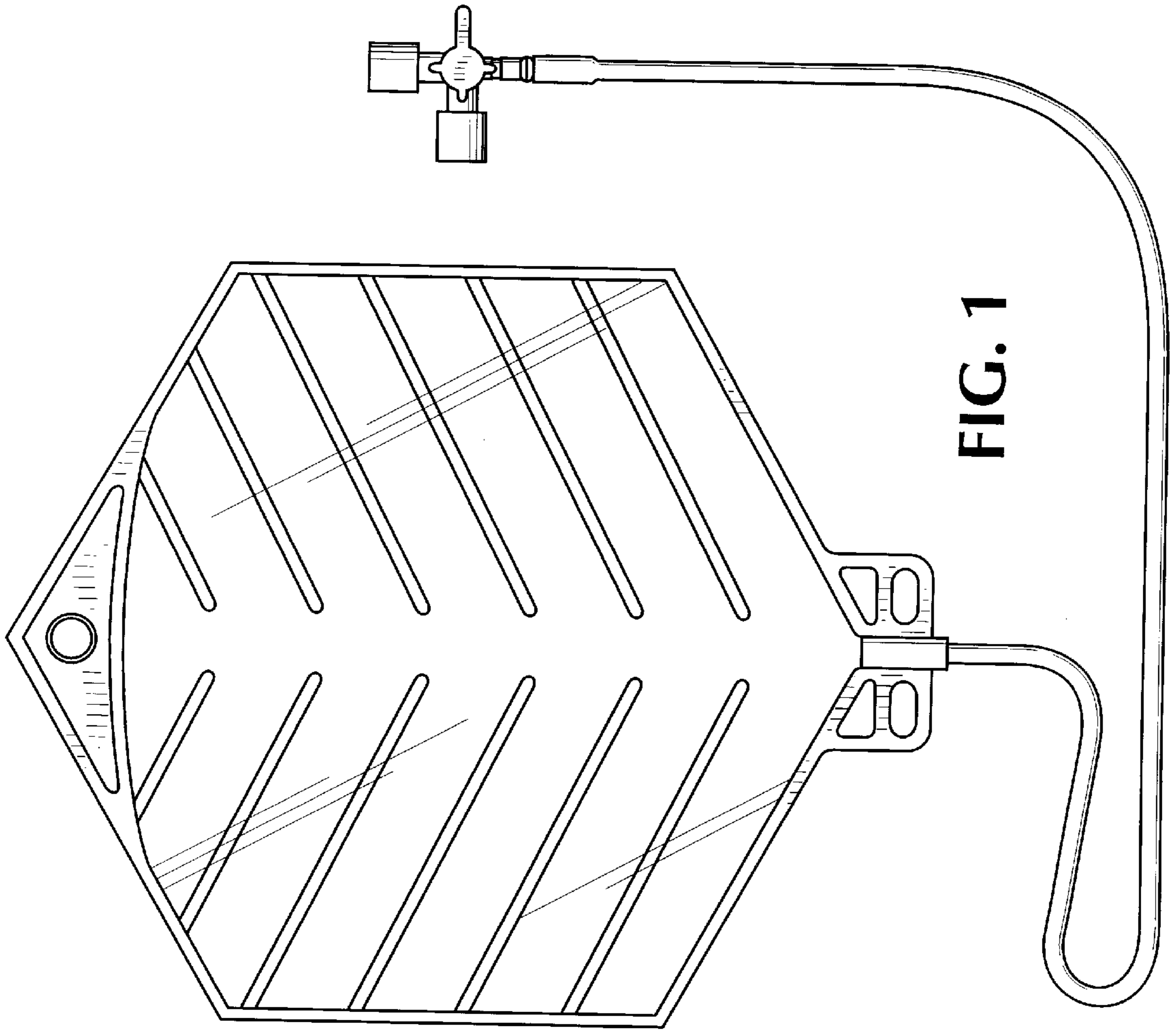


FIG. 1

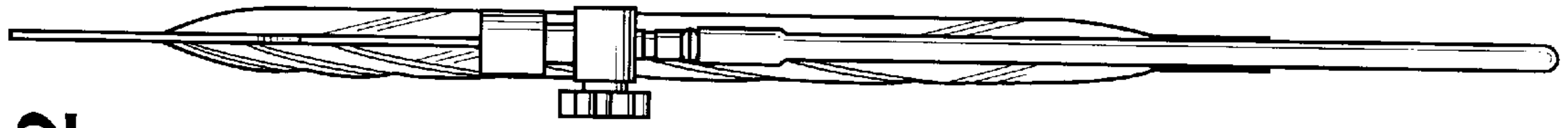


FIG. 2

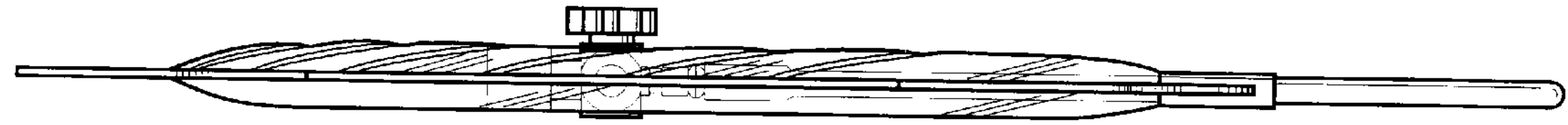


FIG. 3

FIG. 5

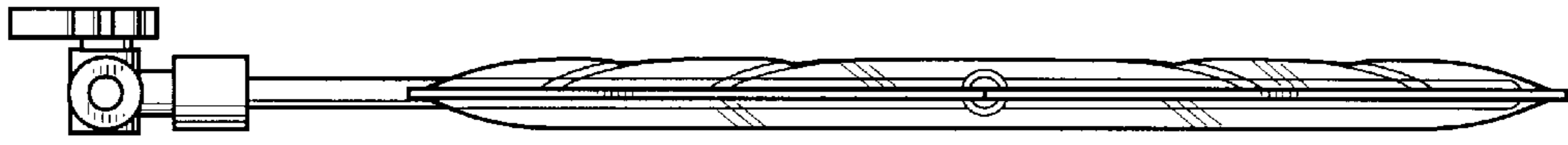


FIG. 4

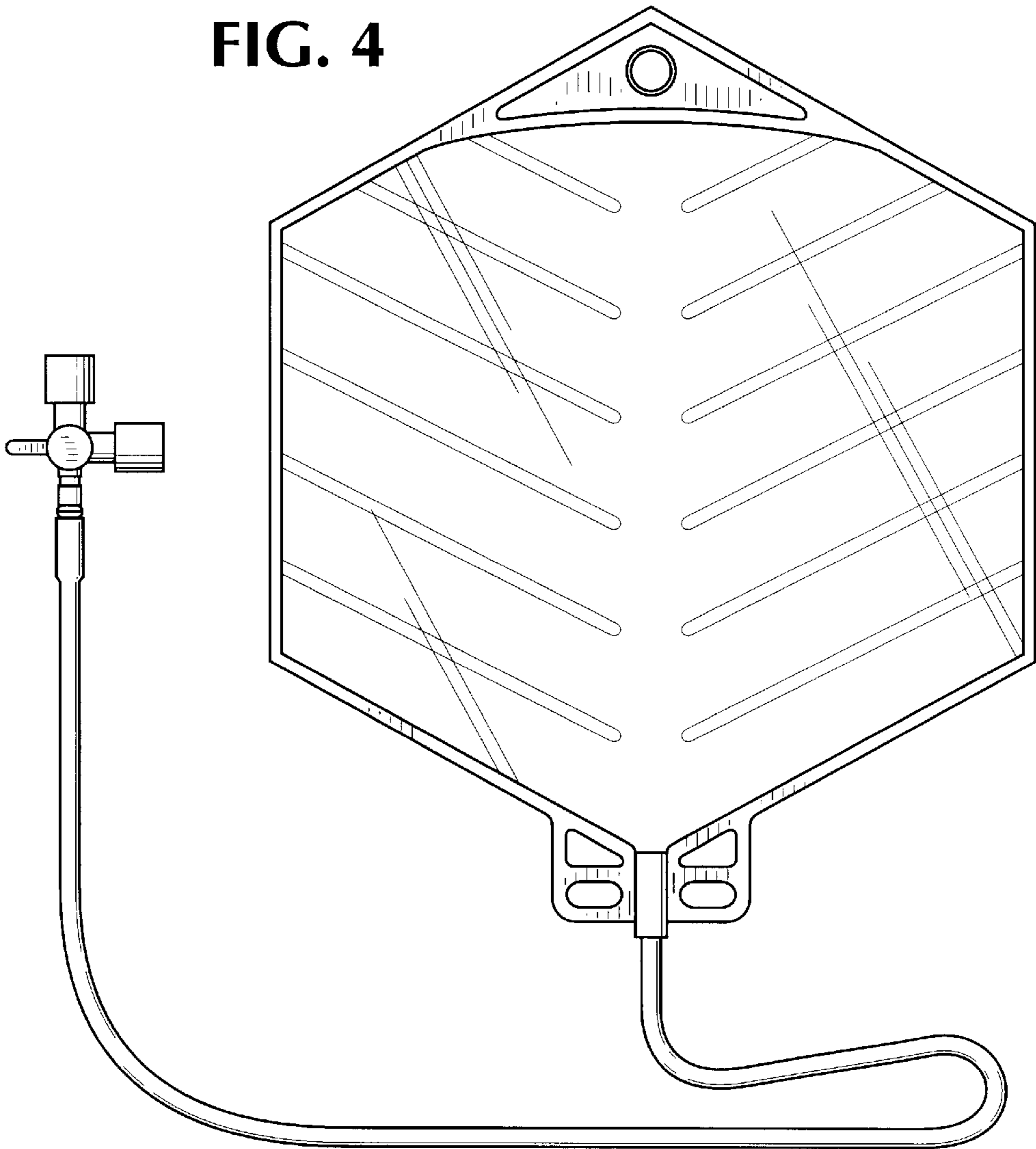


FIG. 6

