



US00D400249S

United States Patent [19]

Holubar et al.

[11] **Patent Number: Des. 400,249**

[45] **Date of Patent: **Oct. 27, 1998**

[54] **CONSOLE FOR CONTROLLING A RADIATION PROBE**

[75] Inventors: **Mark E. Holubar**, Boulder; **Michael J. Sidi**, Loveland, both of Colo.

[73] Assignee: **Neoprobe Corporation**, Dublin, Ohio

[**] Term: **14 Years**

[21] Appl. No.: **77,957**

[22] Filed: **Oct. 14, 1997**

[51] **LOC (6) Cl.** **24-02**

[52] **U.S. Cl.** **D24/107; D24/186**

[58] **Field of Search** D24/186, 185, D24/158, 232, 107; 128/630, 653.1, 659, 660.07, 660.08, 660.09, 660.1, 662.03, 664; 364/413.02, 413.13, 413.26

[56] **References Cited**

U.S. PATENT DOCUMENTS

- D. 284,696 7/1986 Godden et al. D24/107
- D. 307,321 4/1990 Bransky et al. D24/186

- D. 310,120 8/1990 Wickham et al. D24/186
- D. 320,450 10/1991 Hicaro, Jr. et al. D24/107
- D. 381,756 7/1997 Ohnuma et al. D24/232
- 5,051,238 9/1991 Umetsu et al. 422/64
- 5,089,229 2/1992 Heidt et al. 422/64

Primary Examiner—Pamela Burgess
Attorney, Agent, or Firm—Mueller and Smith, LPA

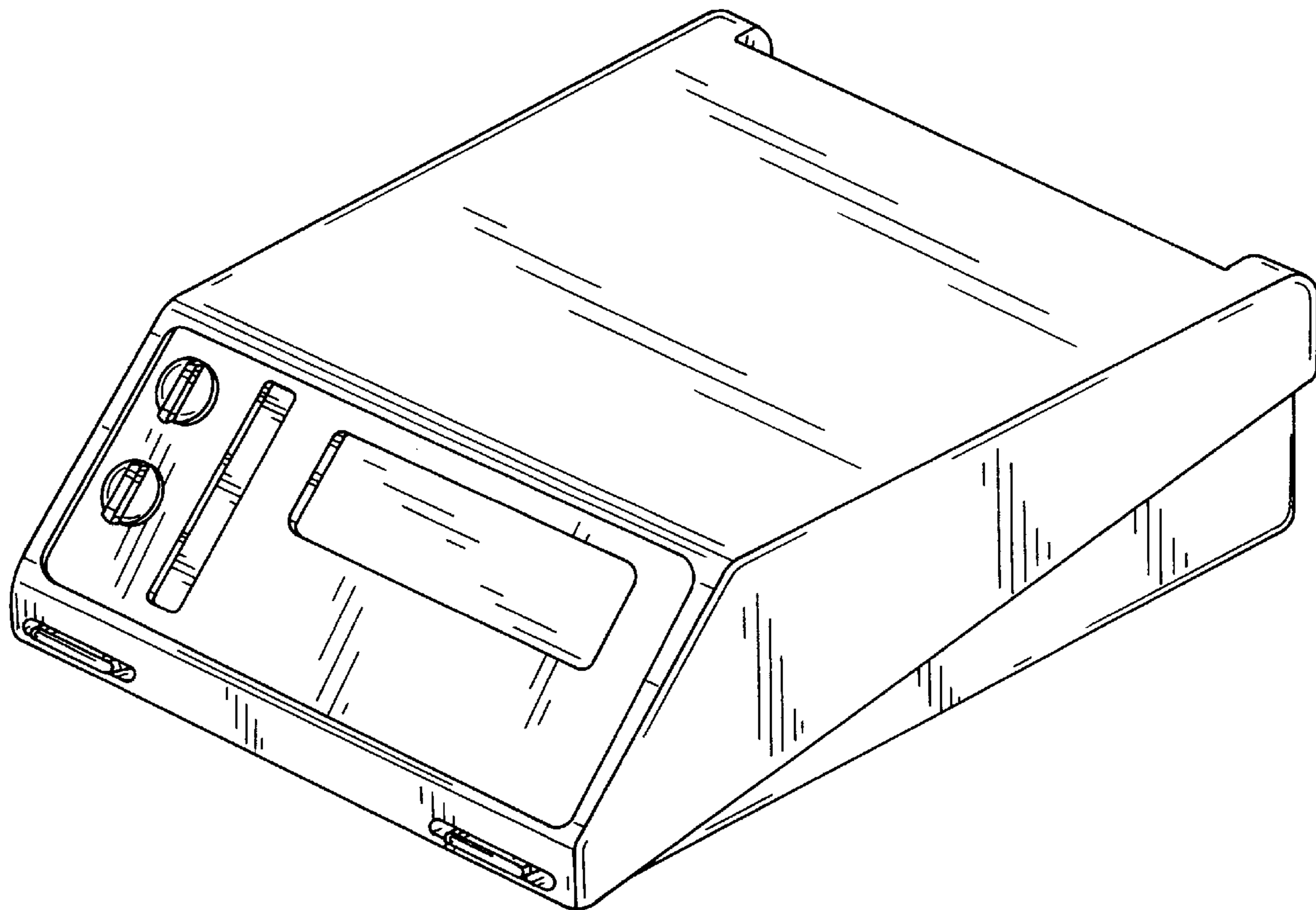
[57] **CLAIM**

The ornamental design for console for controlling a radiation probe, as shown.

DESCRIPTION

FIG. 1 is a front perspective view of a console for controlling a radiation probe showing our new design; FIG. 2 is a rear perspective view of the console of FIG. 1; FIG. 3 is a top view of the console of FIG. 1; FIG. 4 is a bottom view of the console of FIG. 1; FIG. 5 is a right side view of the console of FIG. 1; FIG. 6 is a left side view of the console of FIG. 1; FIG. 7 is a front view of the console of FIG. 1; and, FIG. 8 is a rear view of the console of FIG. 1.

1 Claim, 5 Drawing Sheets



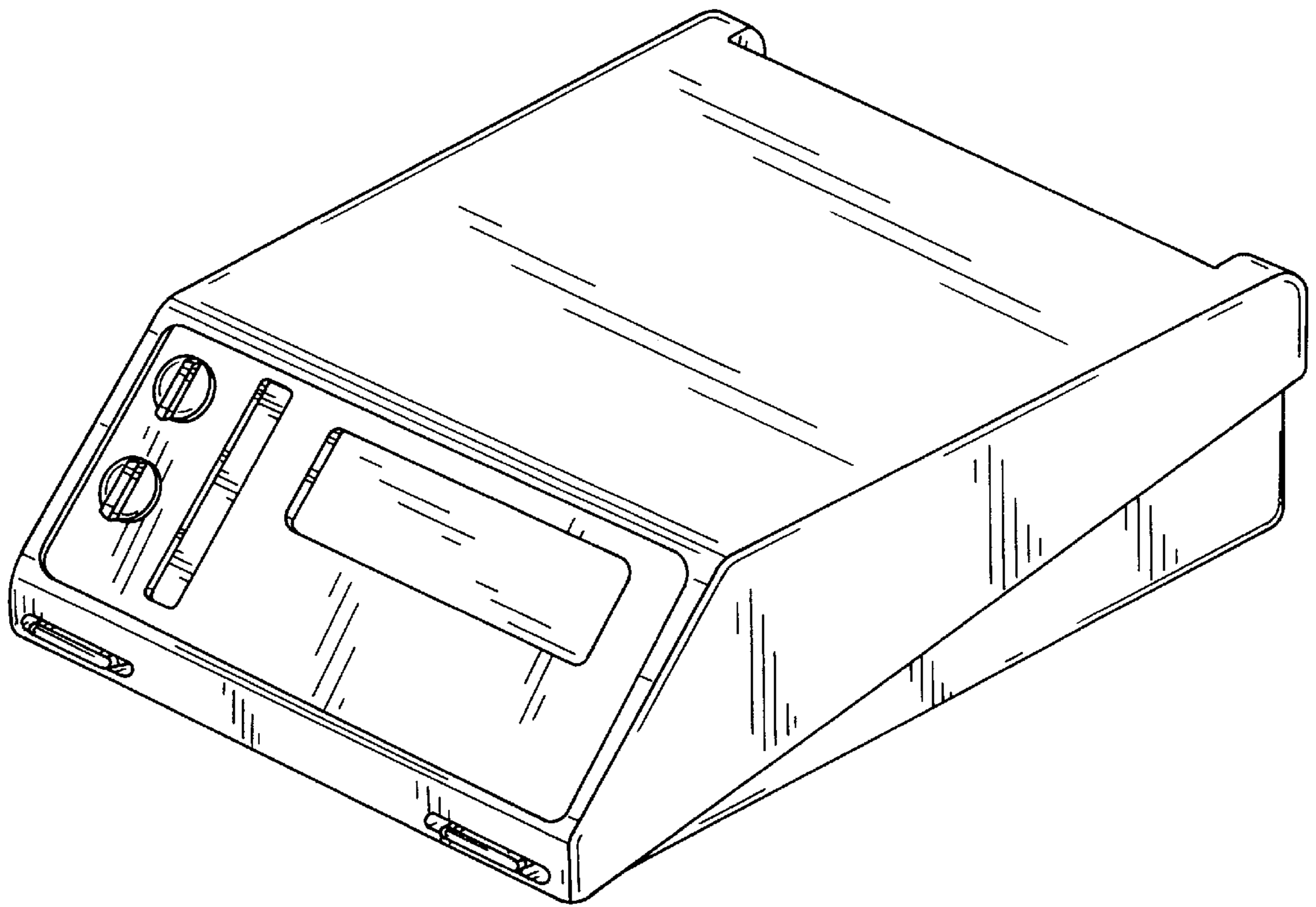


FIG. 1

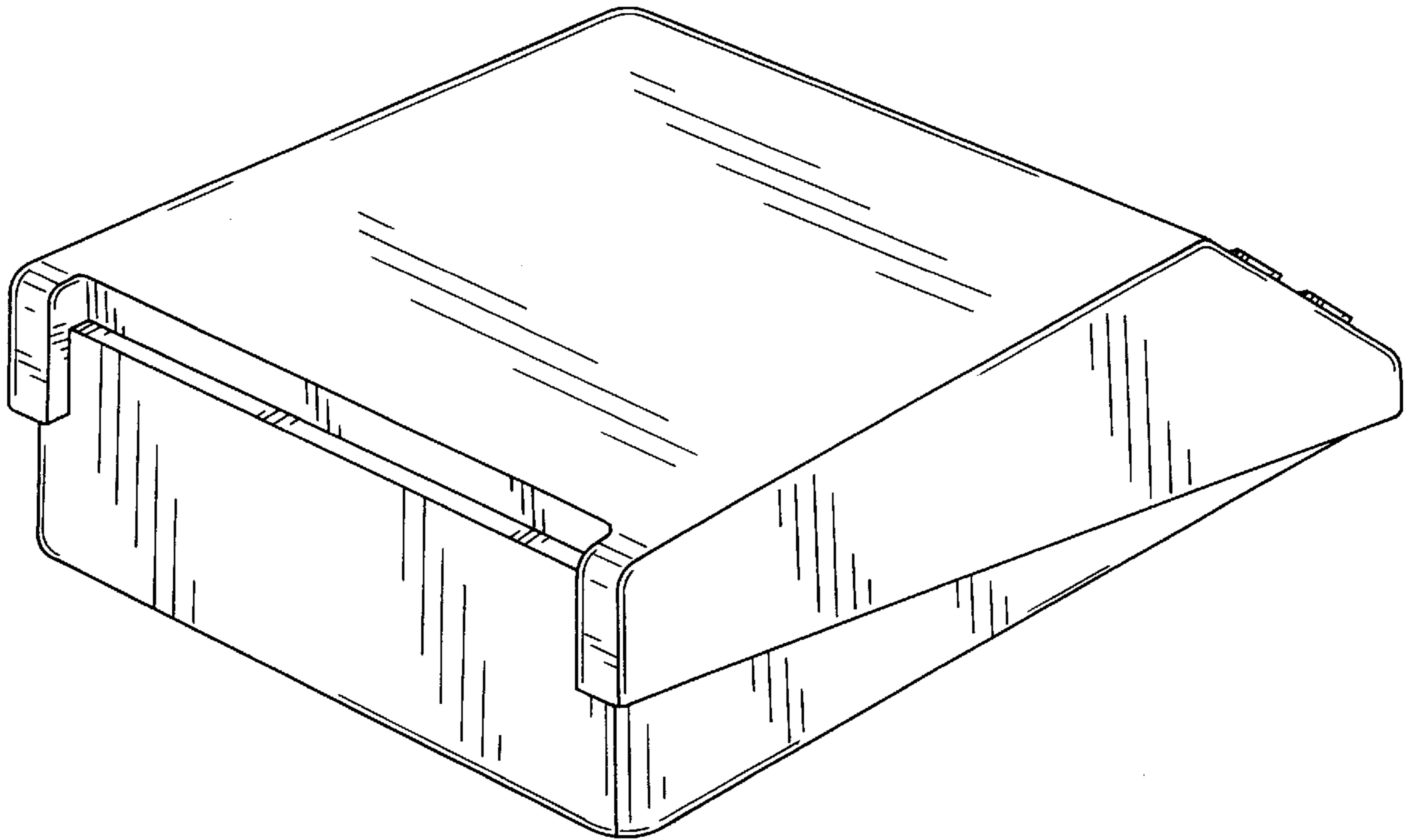


FIG. 2

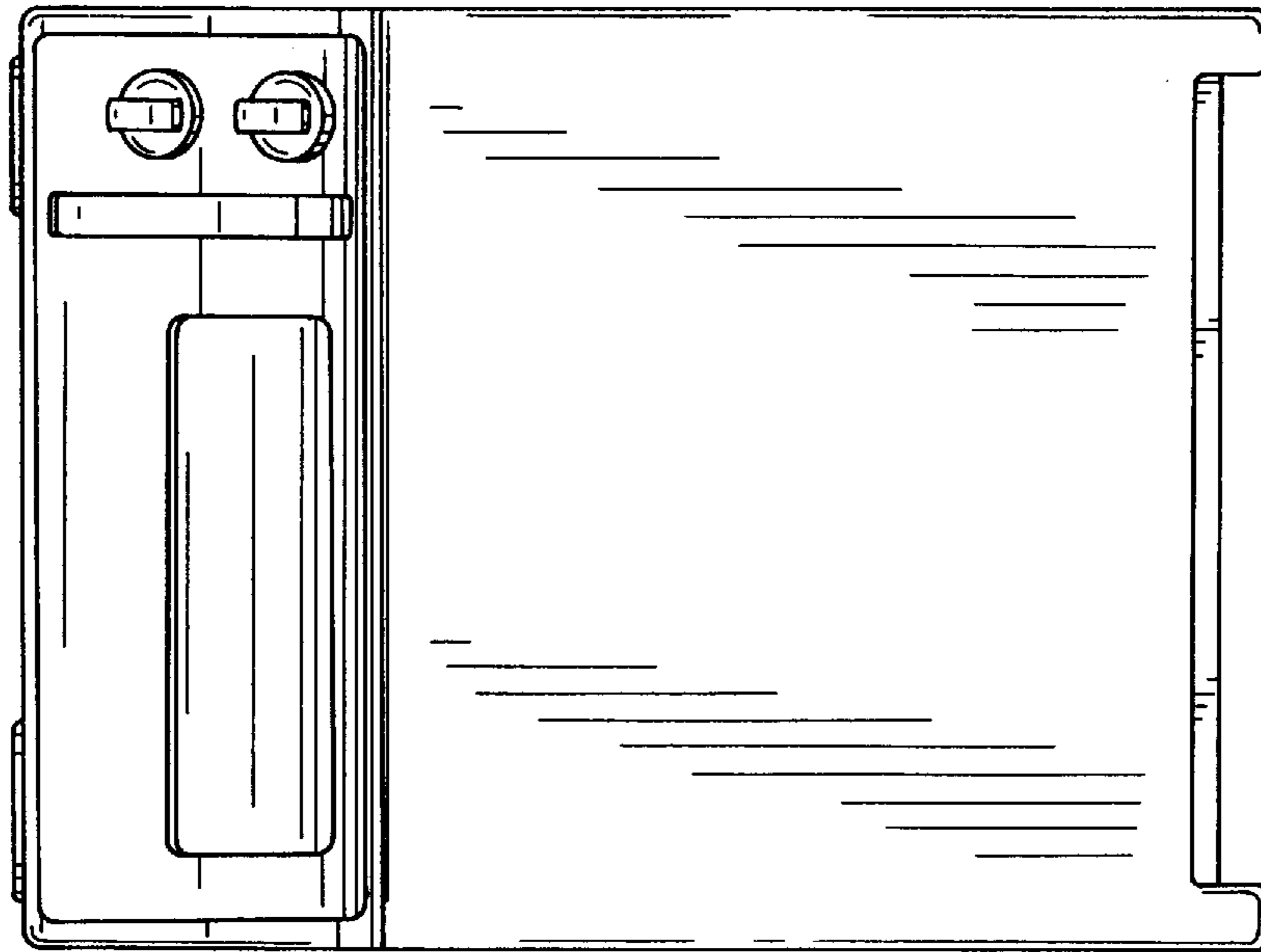


FIG. 3

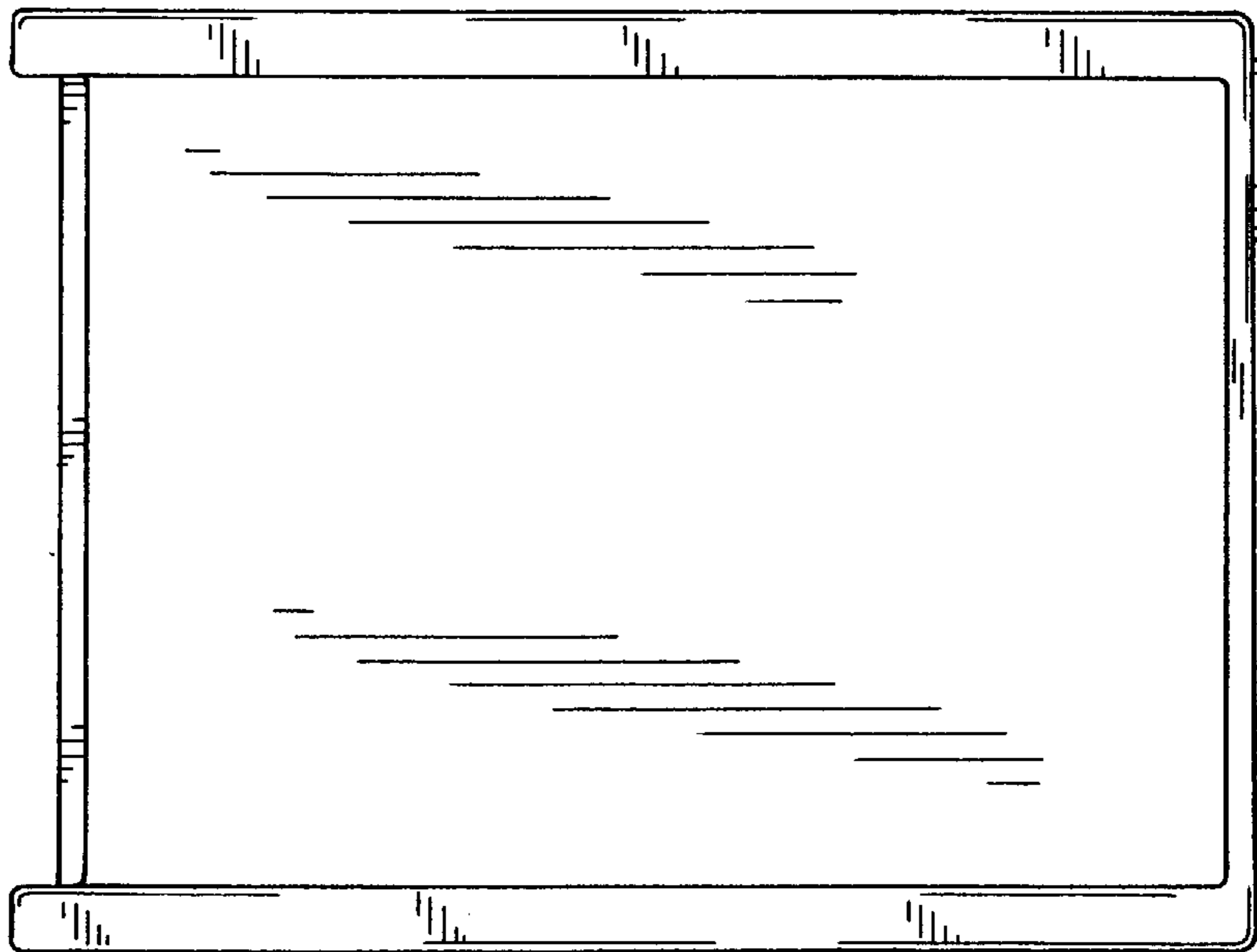


FIG. 4

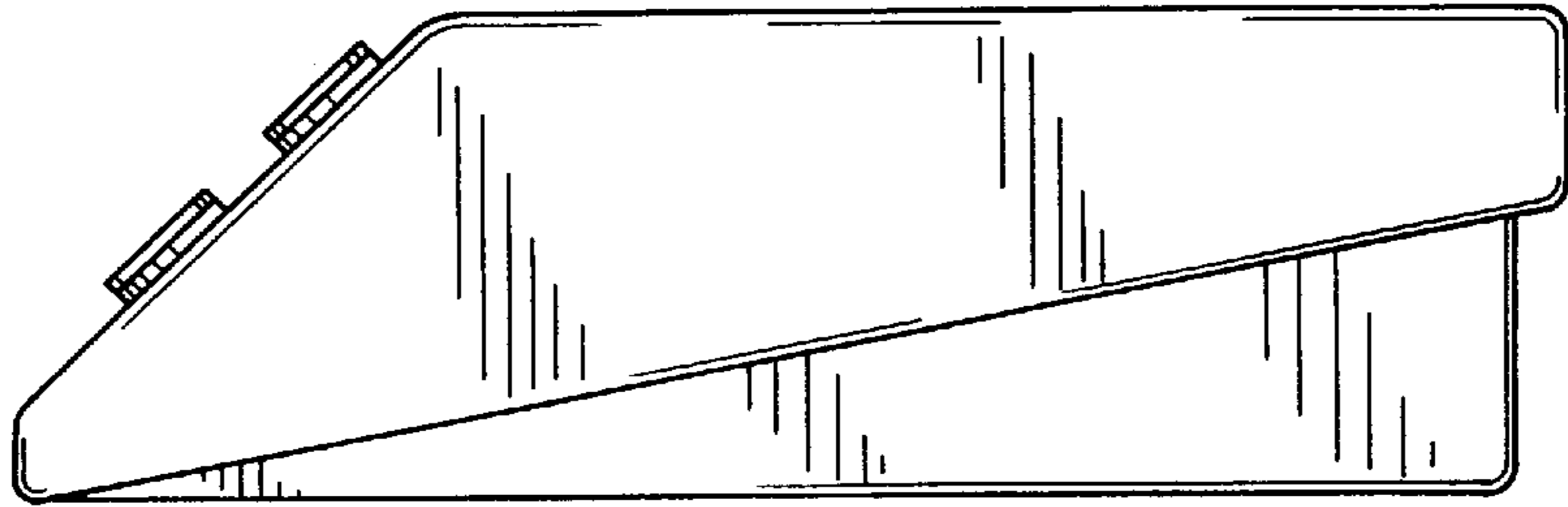


FIG. 5

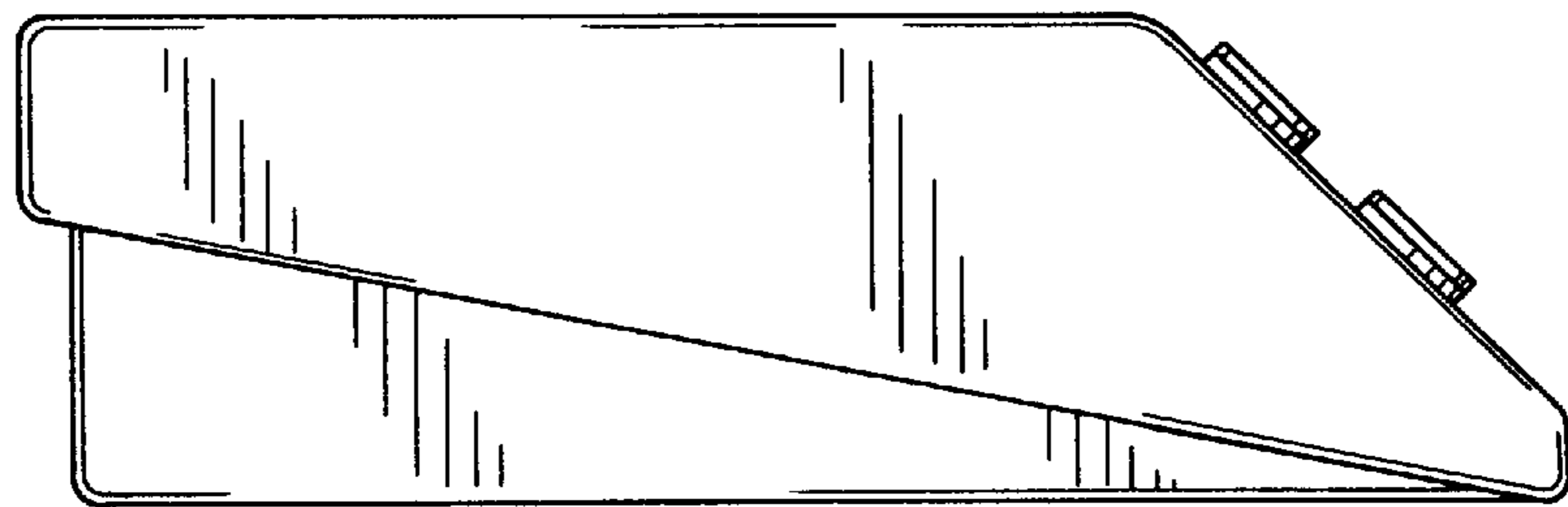


FIG. 6

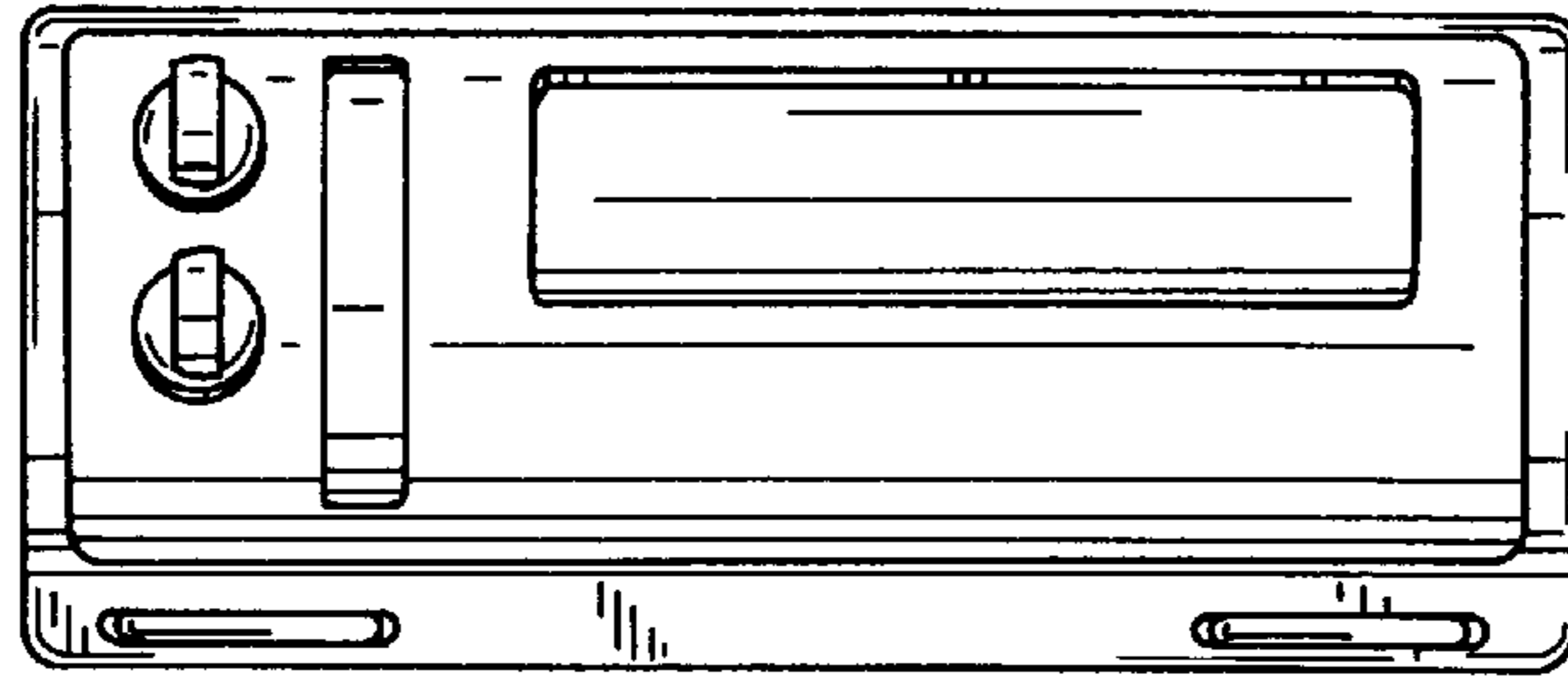


FIG. 7

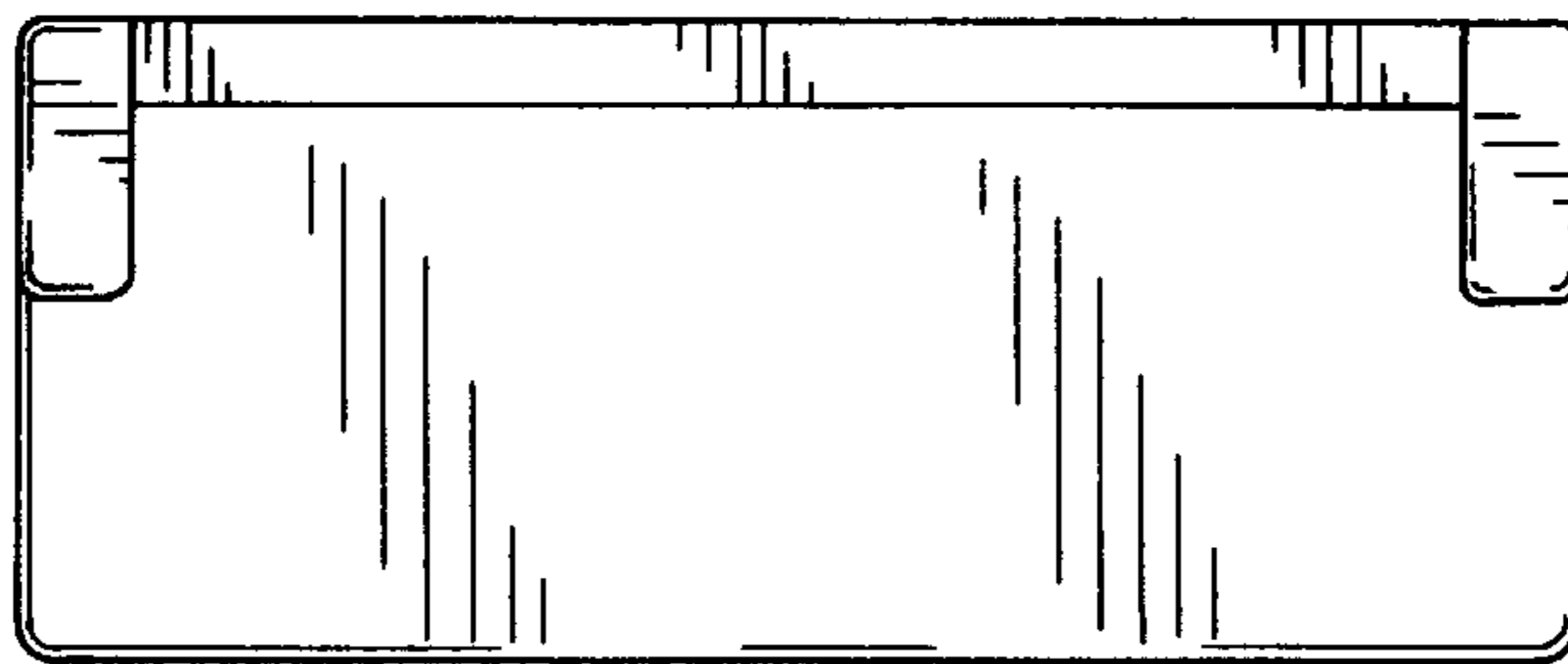


FIG. 8