



US00D400240S

# United States Patent [19]

[11] **Patent Number: Des. 400,240**

**Thallemer et al.**

[45] **Date of Patent: \*\*Oct. 27, 1998**

[54] **BOWL GUARD**

*Pneumatic Filters, Regulators, Lubricators, Economical, High-Flow "D-Series", Festo Corporation Catalog, pp. 1-3 and 5-20; 1996.*

[75] Inventors: **Axel Thallemer; Jan Kleffmann**, both of Esslingen, Germany

[73] Assignee: **Festo AG & Co.**, Esslingen, Germany

*Primary Examiner—Lisa Lichtenstein  
Attorney, Agent, or Firm—Hoffmann & Baron, LLP*

[\*\*] Term: **14 Years**

[21] Appl. No.: **77,478**

[57] **CLAIM**

[22] Filed: **Oct. 2, 1997**

The ornamental design for a bowl guard, as shown and described.

[30] **Foreign Application Priority Data**

**DESCRIPTION**

Apr. 8, 1997 [WO] WIPO ..... DM/039796

[51] **LOC (6) Cl.** ..... **23-04**

FIG. 1 is a top perspective view of a bowl guard showing our new design;

[52] **U.S. Cl.** ..... **D23/355; D23/386**

FIG. 2 is a front perspective view thereof;

[58] **Field of Search** ..... D23/365, 355, D23/386; 55/DIG. 17

FIG. 3 is a side elevational view thereof, the opposite side being identical thereto;

[56] **References Cited**

FIG. 4 is a front elevational view thereof, the opposite side being identical thereto;

**U.S. PATENT DOCUMENTS**

3,980,457 9/1976 Smith .  
4,234,014 11/1980 Knight .

FIG. 5 is a top plan view thereof; and,

**OTHER PUBLICATIONS**

FIG. 6 is a bottom plan view thereof.

*Pneumatic Filters, Regulators, Lubricators and Pre-Assembled Air Service Modules, Festo Corporation Catalog, pp. 1, 3-5, 18, 21-25, 27 and 29-30; 1990.*

**1 Claim, 5 Drawing Sheets**

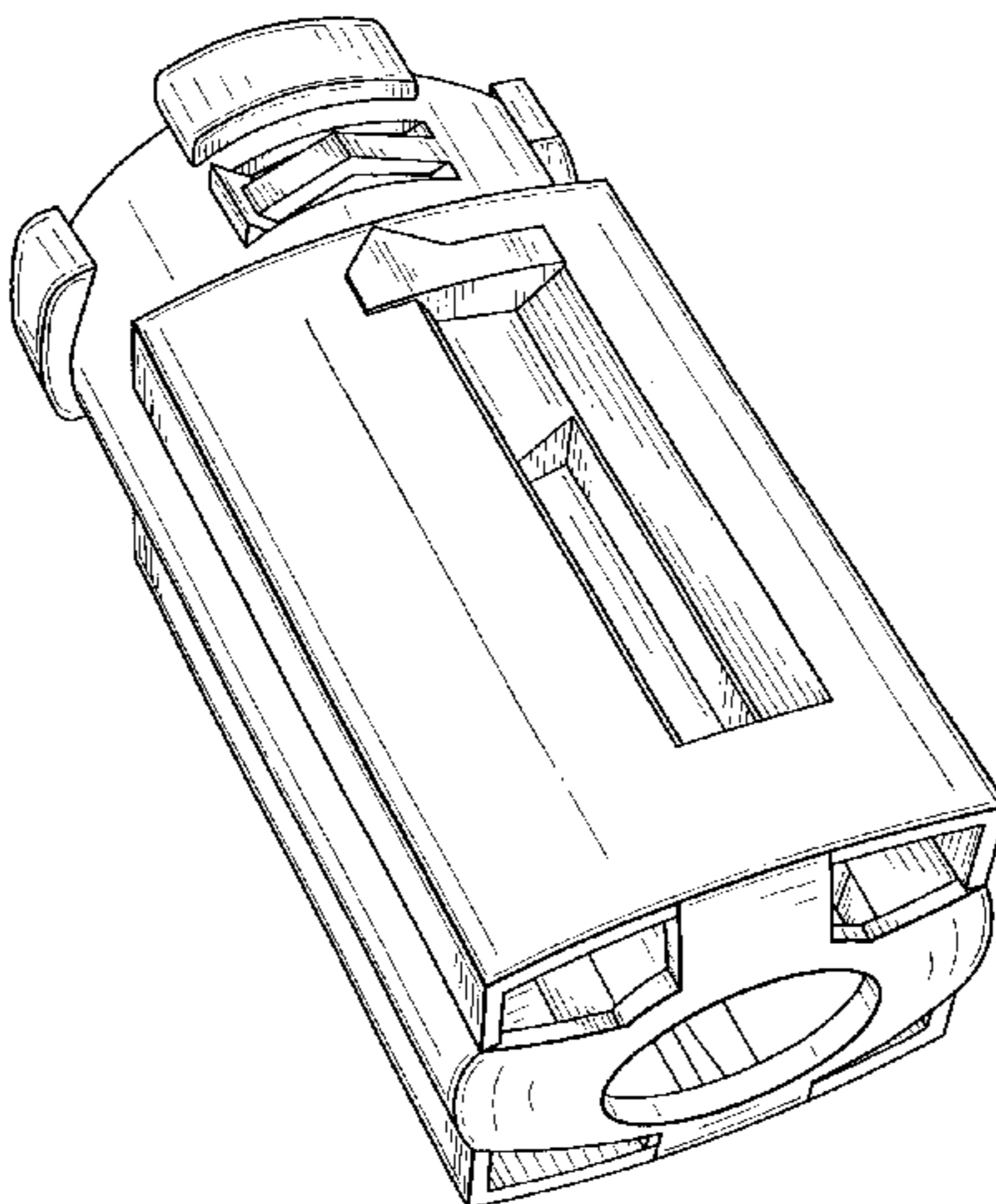
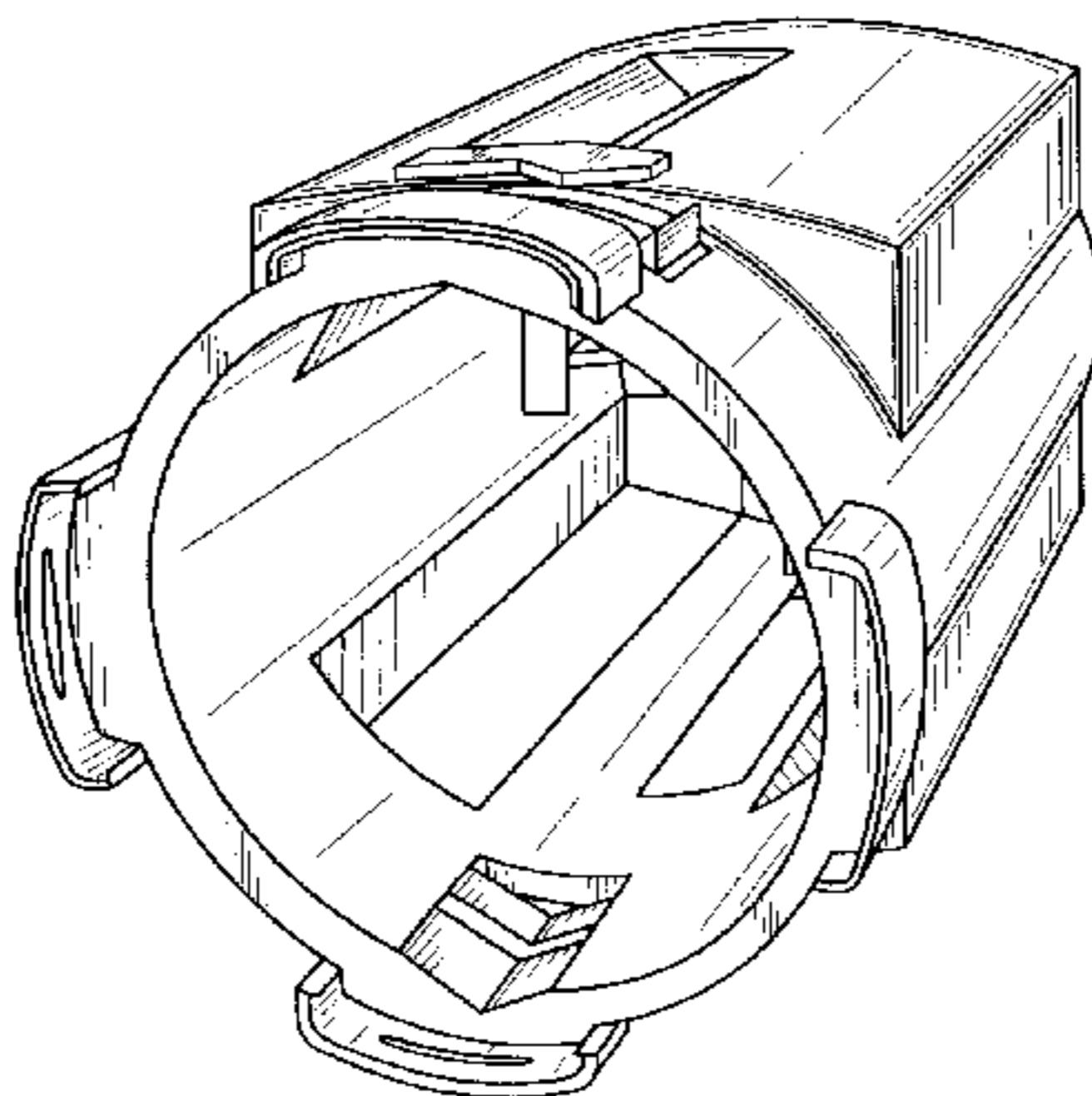


FIG-1

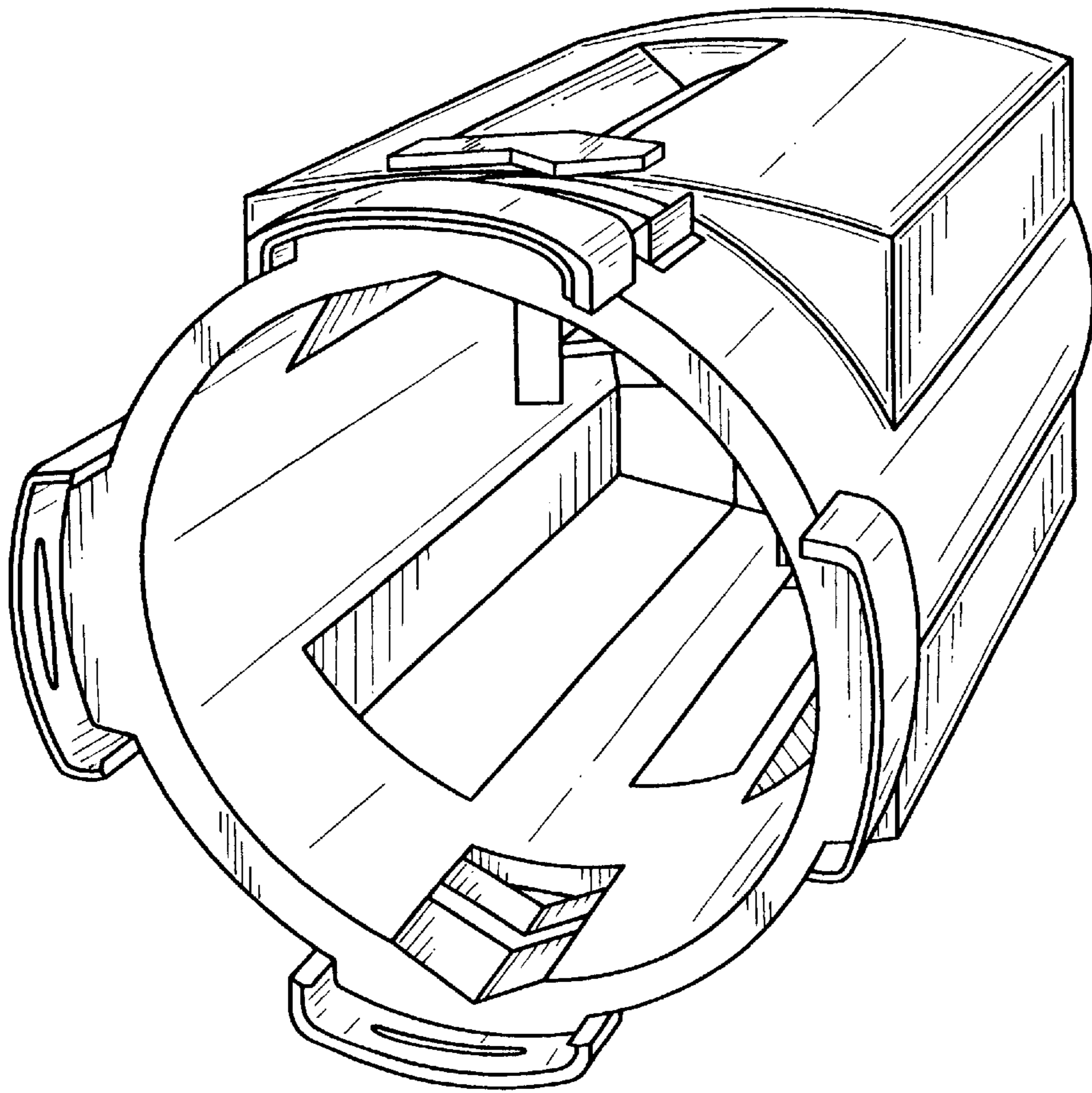


FIG-2

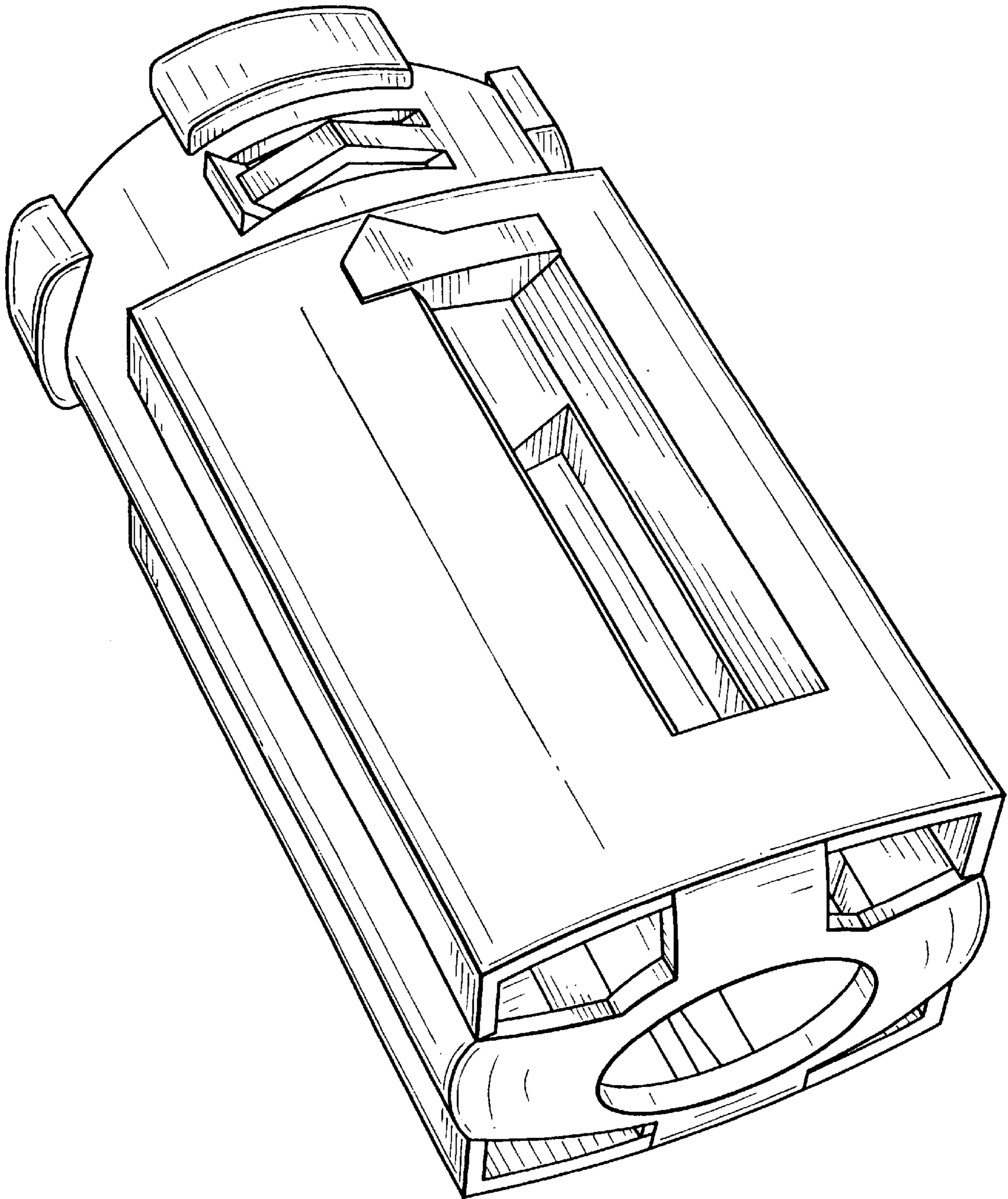


FIG-3

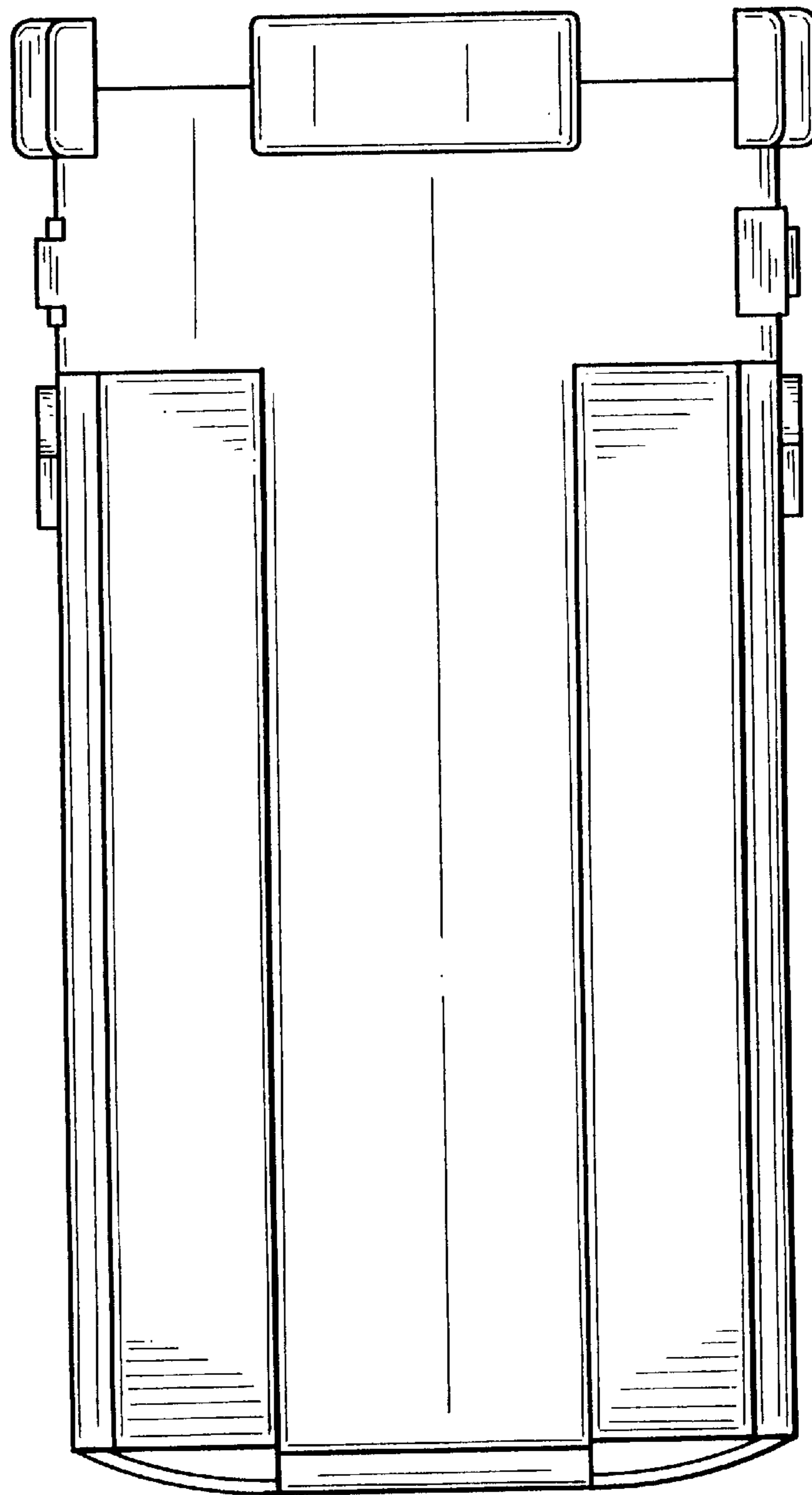


FIG-4

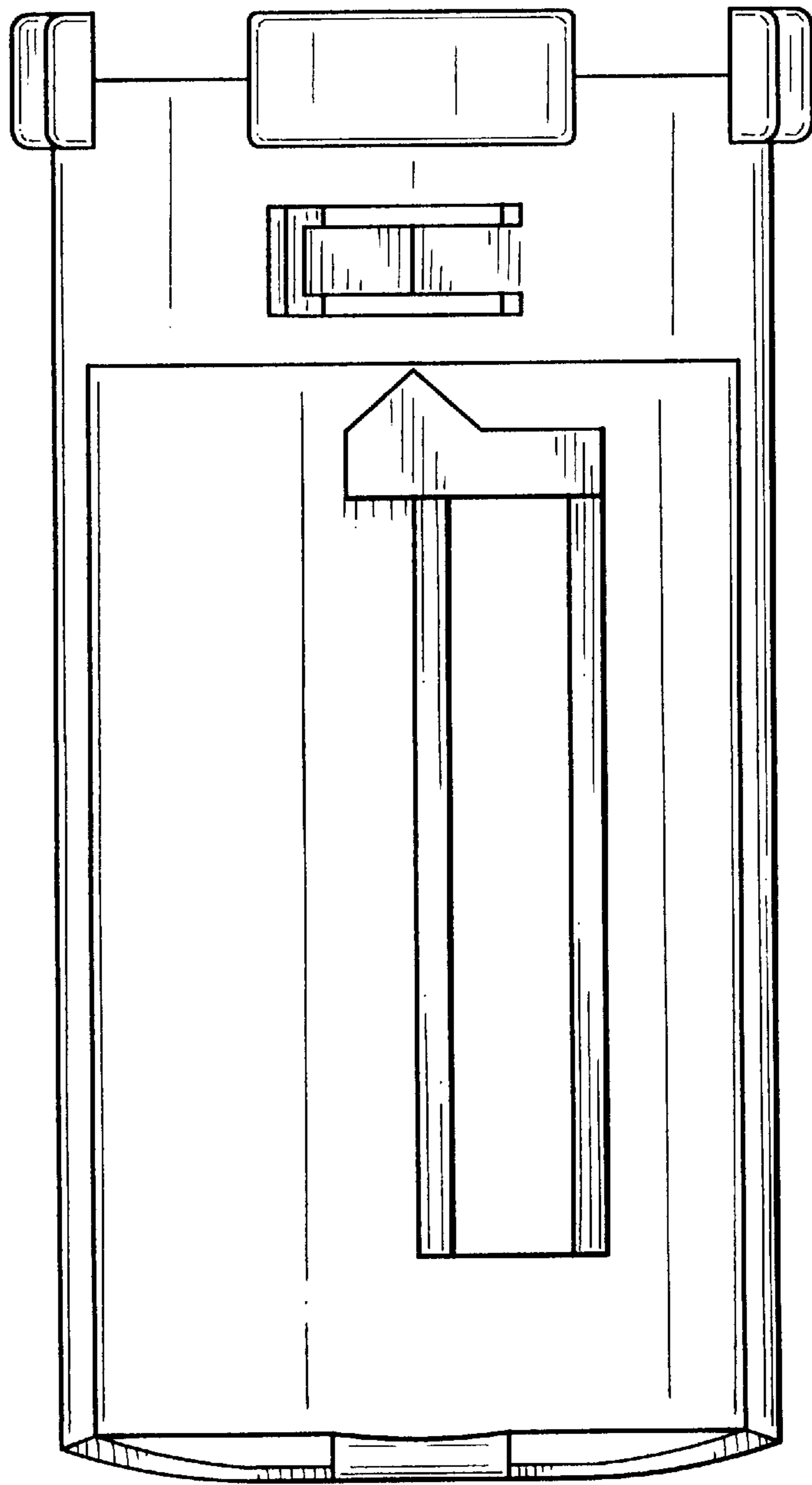


FIG-5

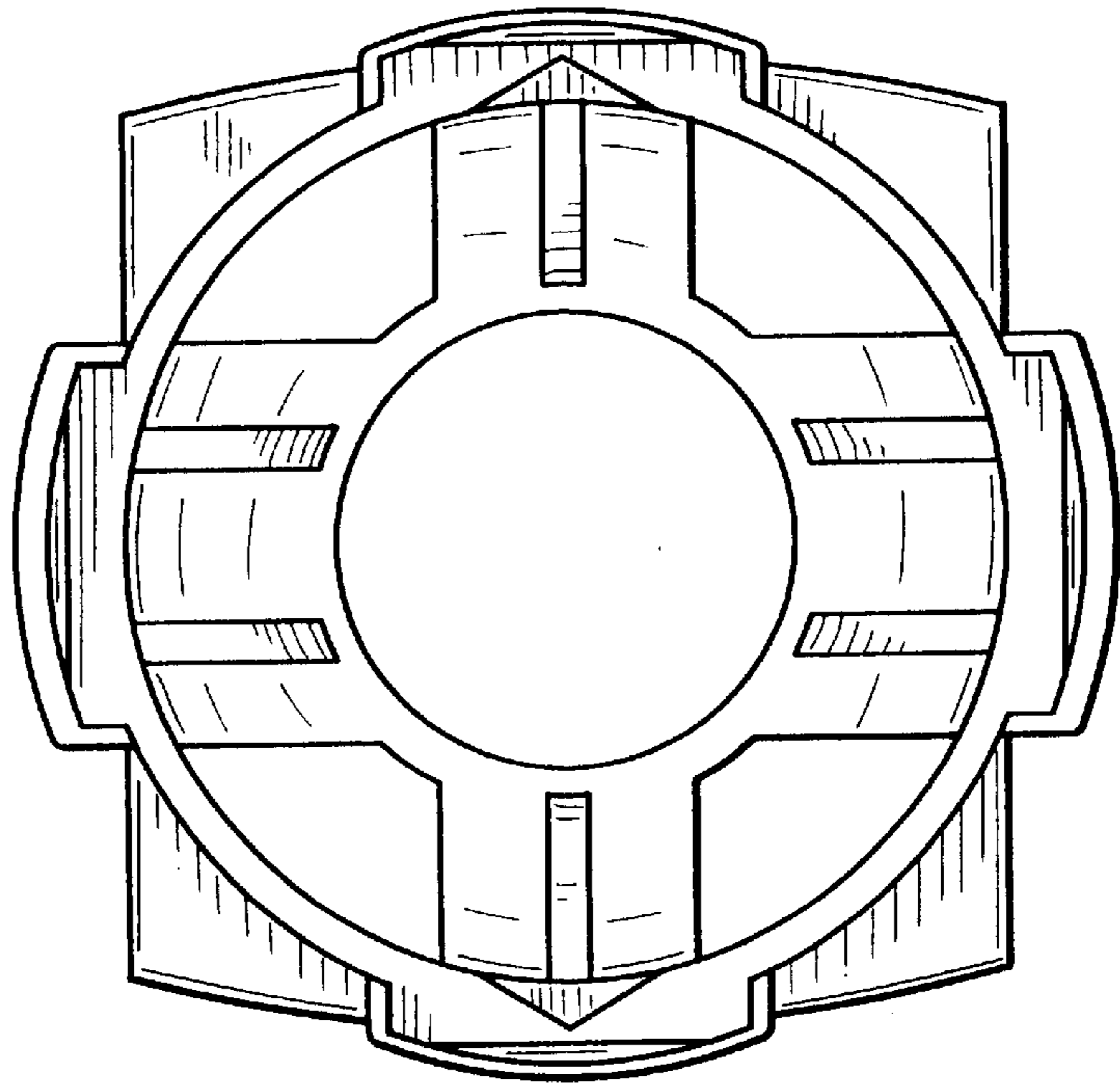


FIG-6

