



US00D400238S

United States Patent [19]

New

[11] **Patent Number: Des. 400,238**

[45] **Date of Patent: **Oct. 27, 1998**

[54] **TRAVEL BIDET**

[76] Inventor: **H. William New**, 25188 Marion Ave.,
Punta Gorda, Fla. 33950-4155

[**] Term: **14 Years**

[21] Appl. No.: **71,458**

[22] Filed: **May 20, 1997**

[51] **LOC (6) Cl. 23-02**

[52] **U.S. Cl. D23/295**

[58] **Field of Search** D23/295, 298,
D23/299, 300, 301; 4/353, 421, 424, 428,
430, 664, DIG. 2

[56] **References Cited**

U.S. PATENT DOCUMENTS

D. 329,492	9/1992	New	D23/295
D. 331,453	12/1992	New	D23/295
D. 331,454	12/1992	New	D23/295
1,683,063	9/1928	Compas	4/420.5
1,838,356	12/1931	Berry	4/447 X
4,135,255	1/1979	Mewender	4/448

Primary Examiner—Louis S. Zarfes
Assistant Examiner—Eric Watterson
Attorney, Agent, or Firm—Frank A. Lukasik

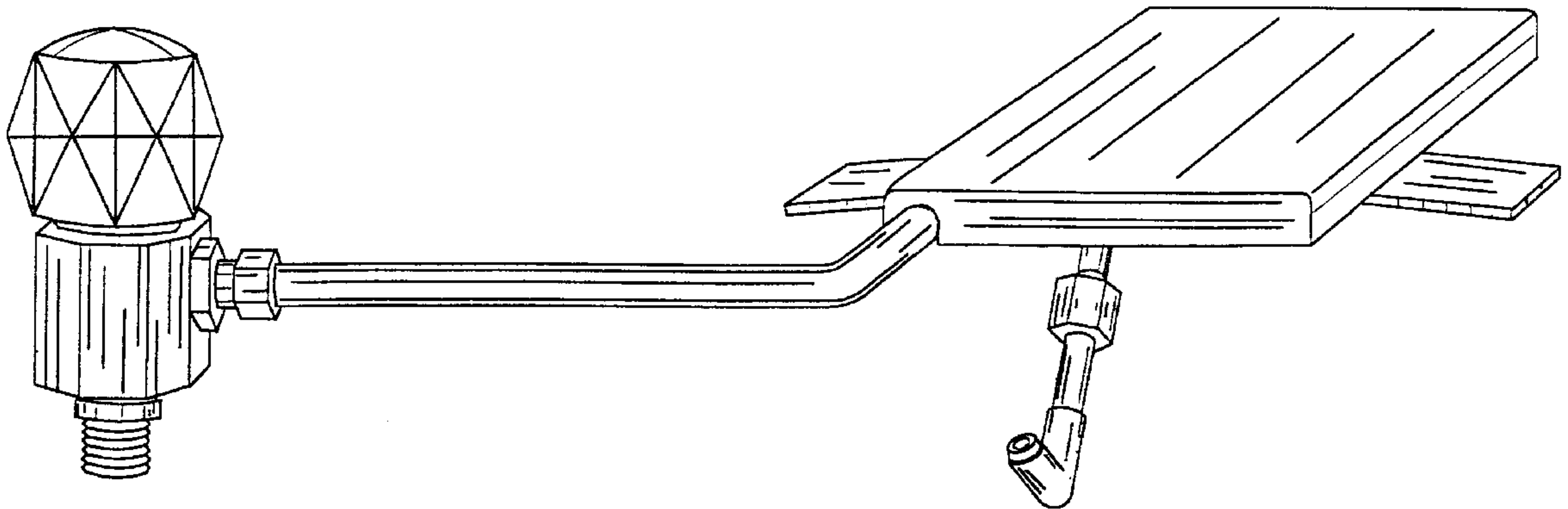
[57] **CLAIM**

The ornamental design of a personal, portable bidet, as shown.

DESCRIPTION

FIG. 1 is a front elevational view of a personal portable bidet unit for a toilet showing my design;
FIG. 2 is a left side elevational view thereof;
FIG. 3 is a top plan view thereof;
FIG. 4 is a left side elevational view showing my claimed design in use;
FIG. 5 is a front elevational view thereof;
FIG. 6 is a top elevational view thereof;
FIG. 7 is a front view thereof; and,
FIG. 8 is a top perspective view showing my design.
The broken line representation of a toilet, a toilet seat and a bathroom sink connection are for purposes of illustration only and form no part of the claimed design.

1 Claim, 8 Drawing Sheets



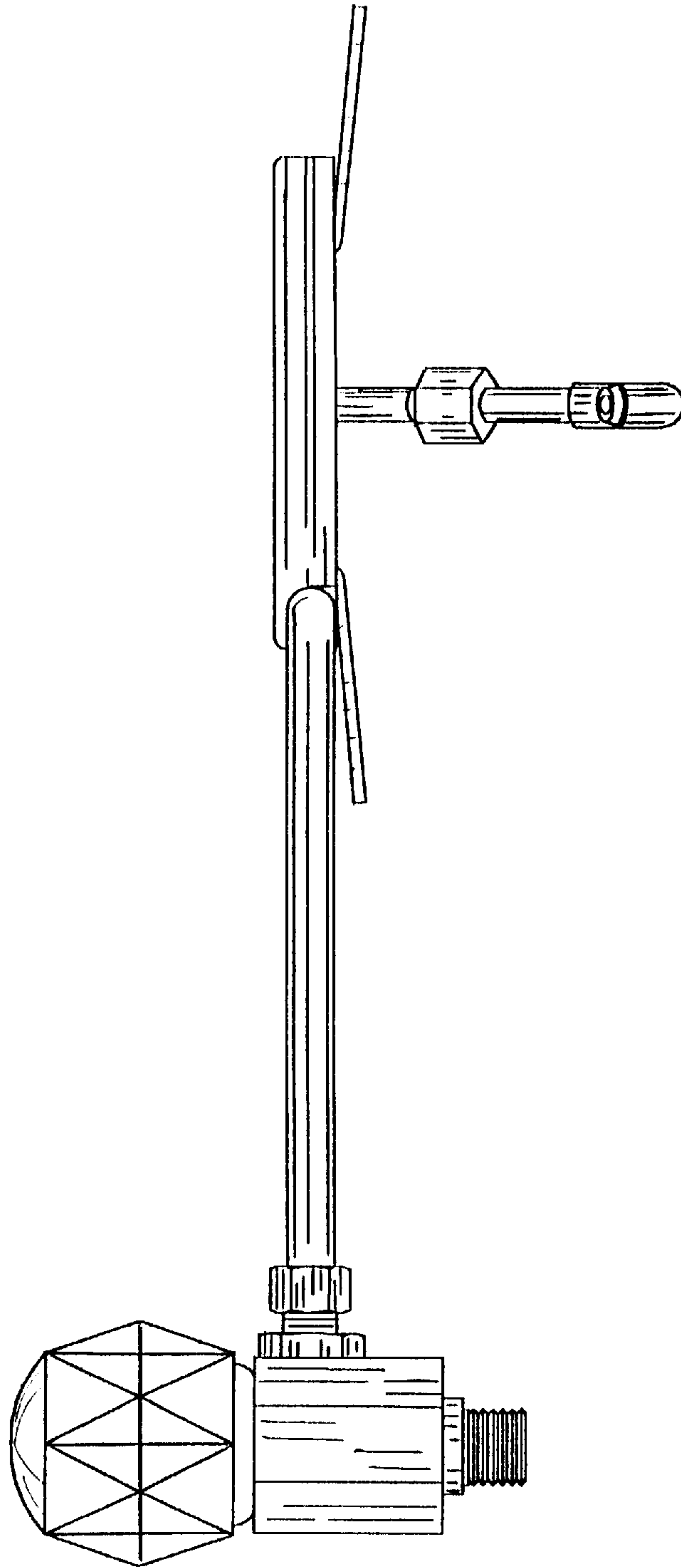


FIG. 1

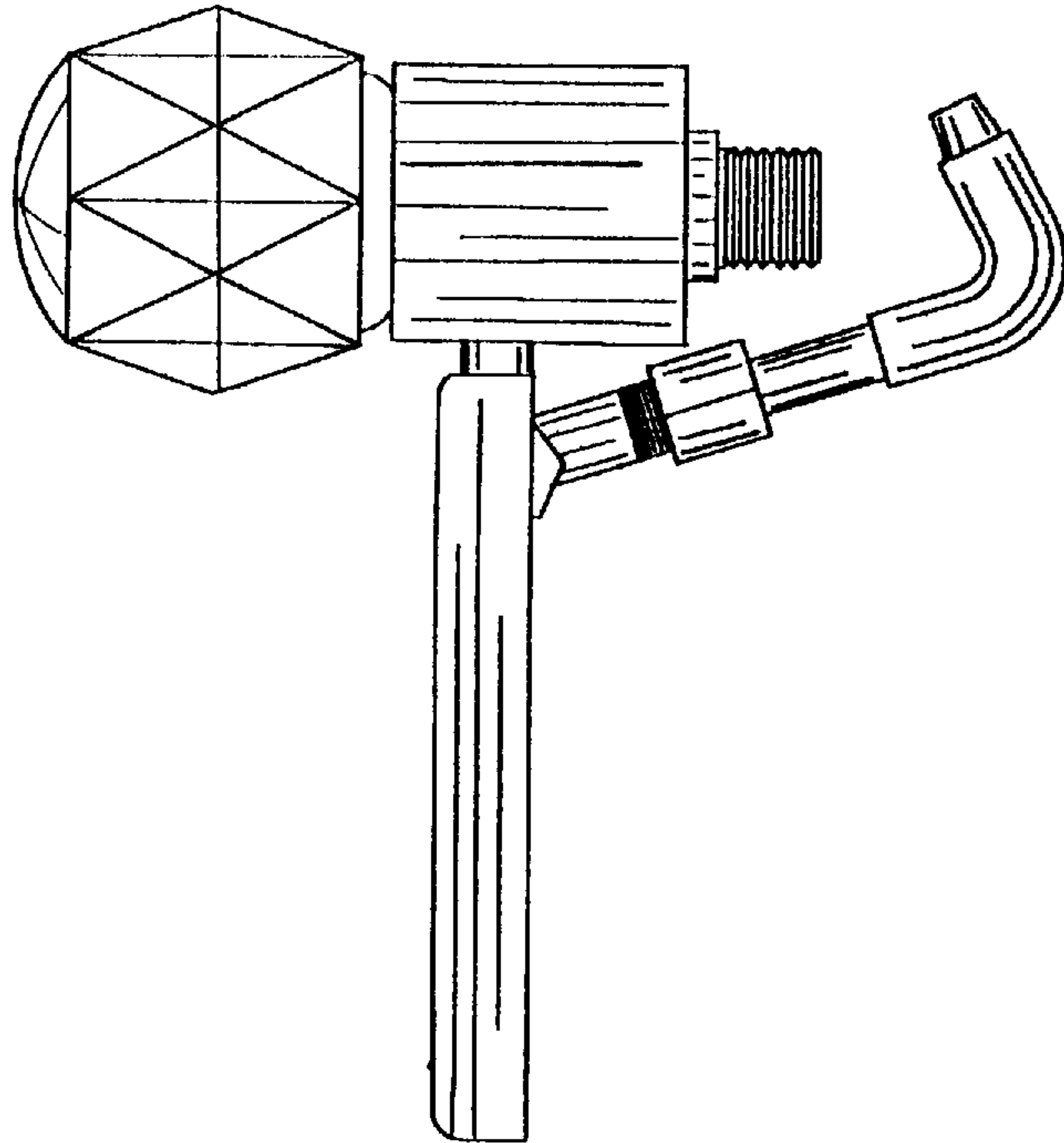


FIG. 2

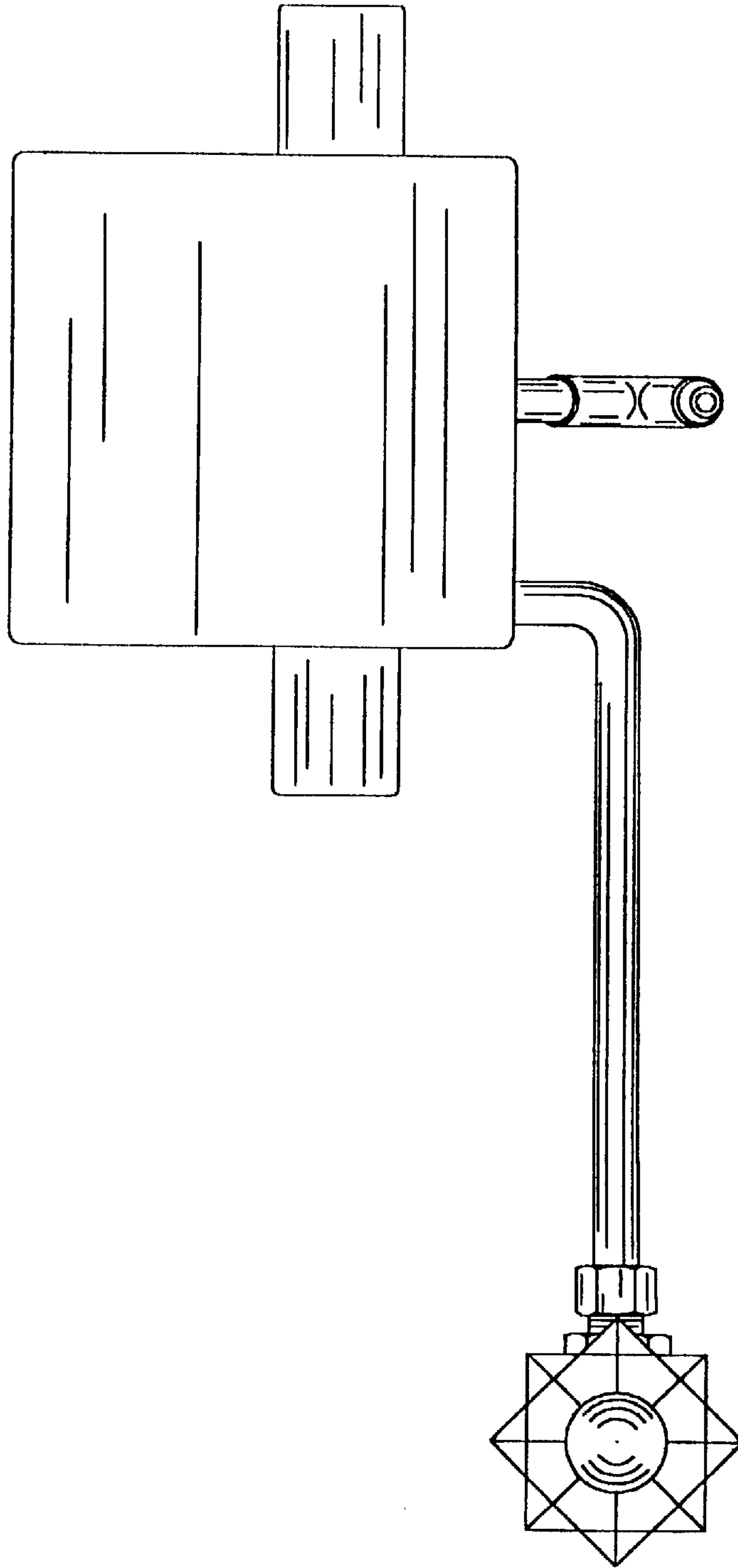


FIG. 3

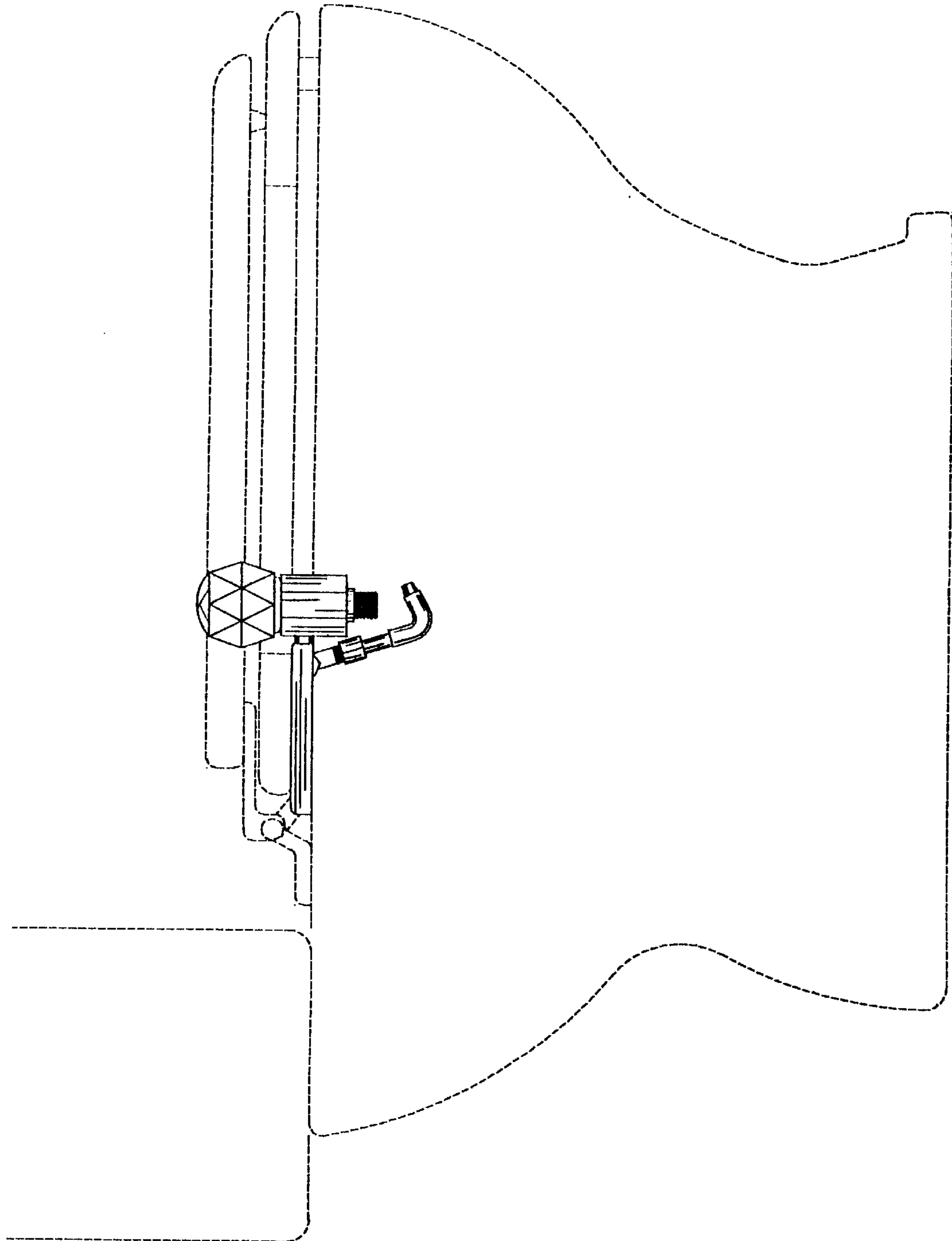


FIG. 4

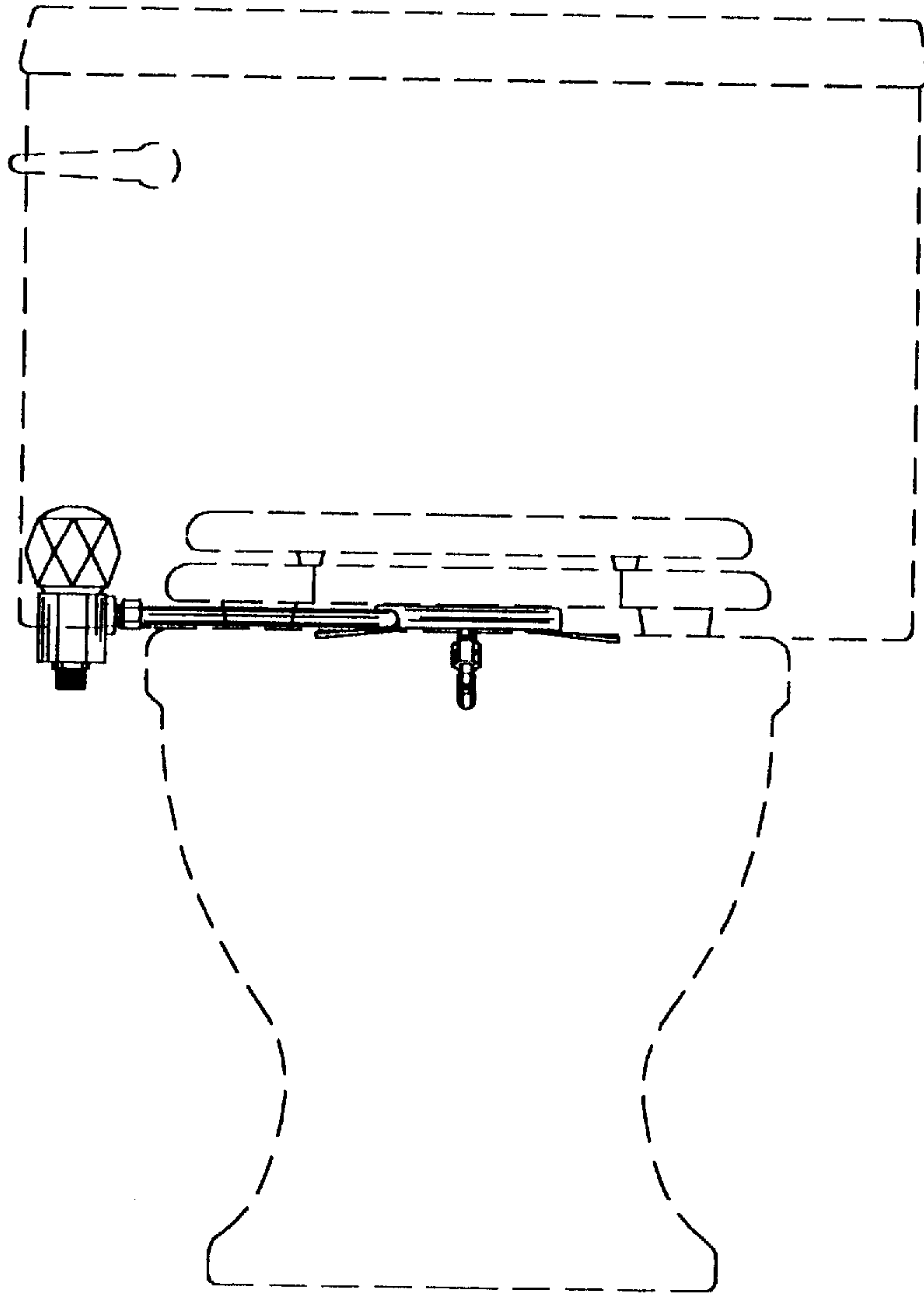


FIG. 5

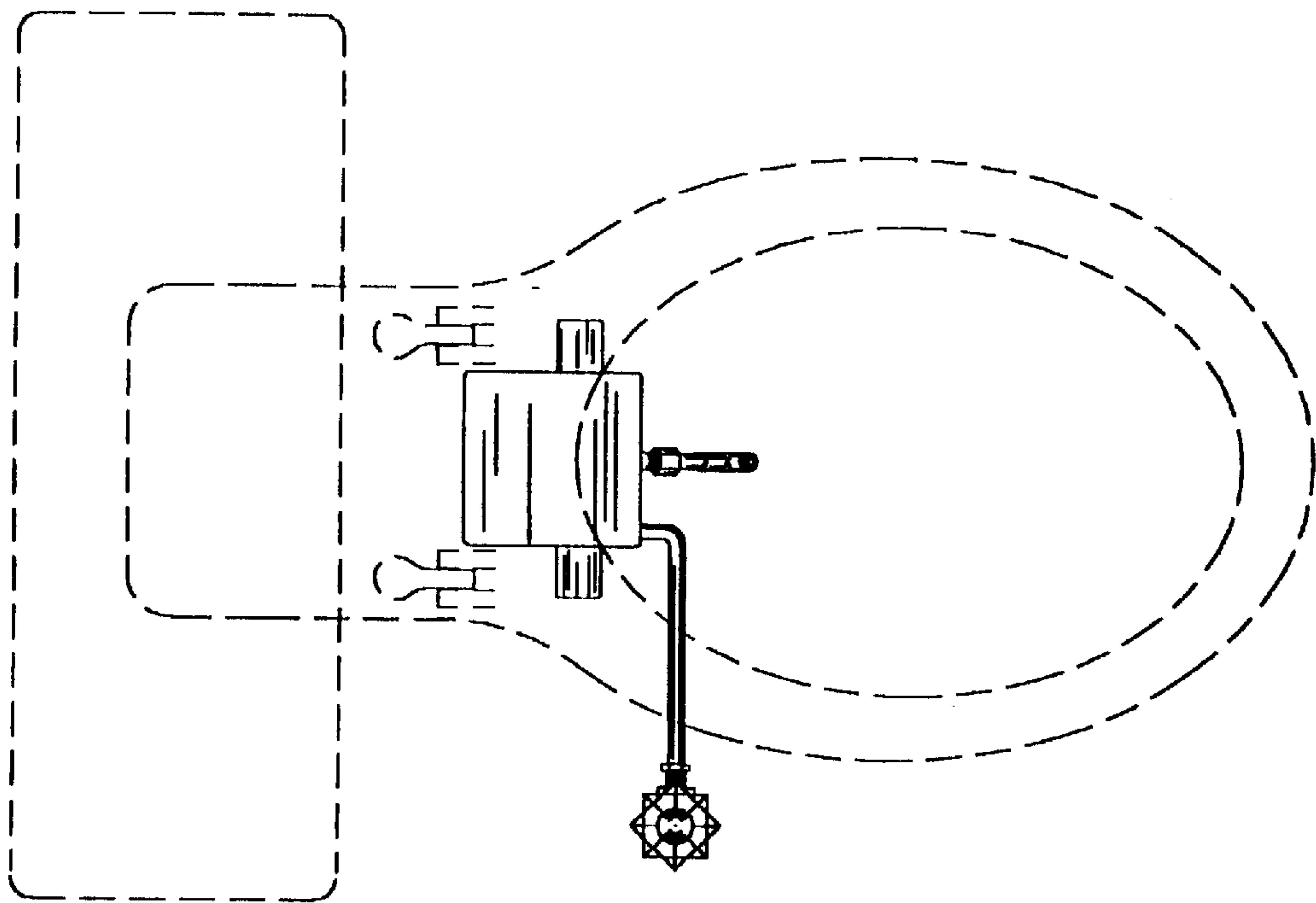


FIG. 6

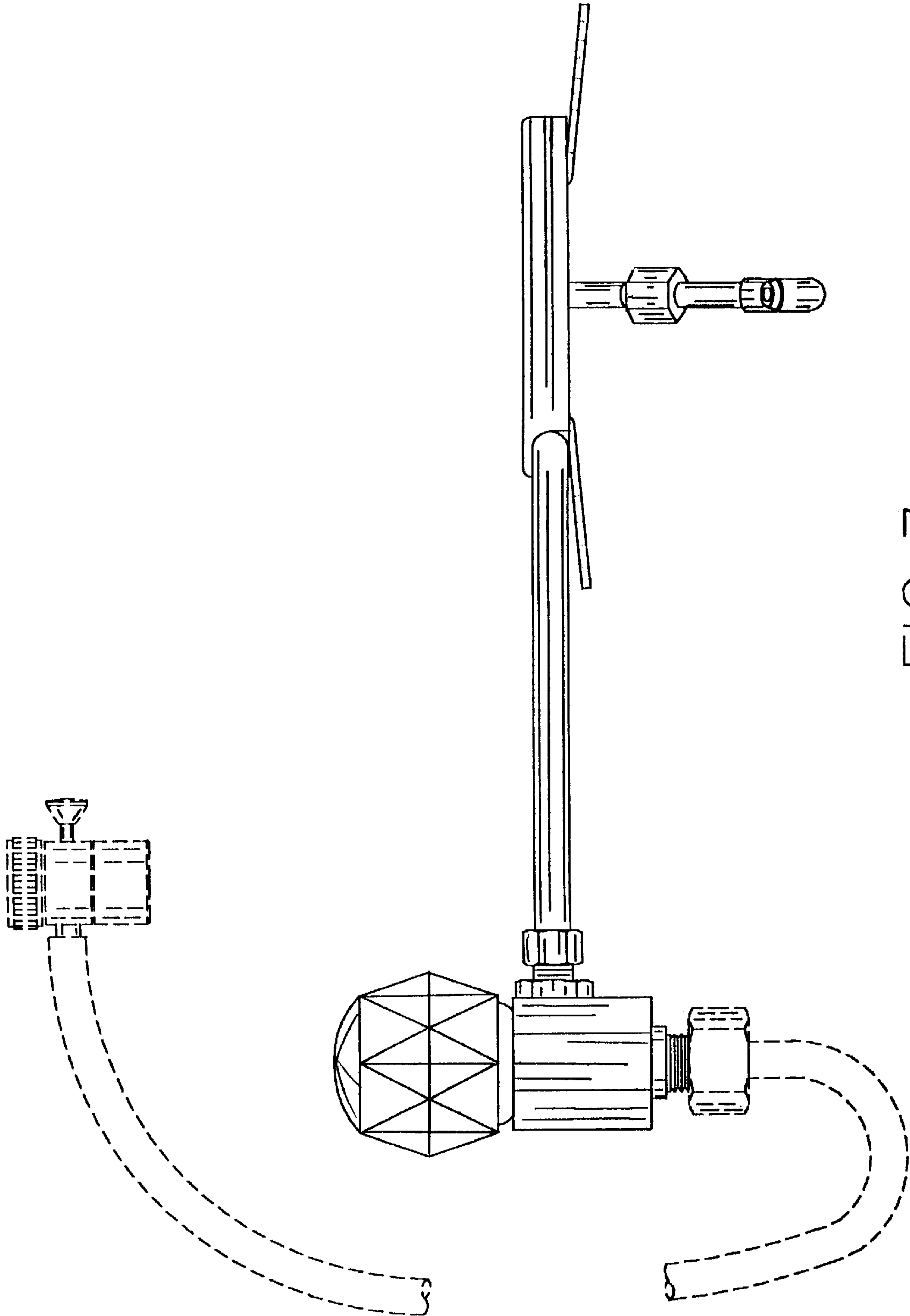


FIG. 7

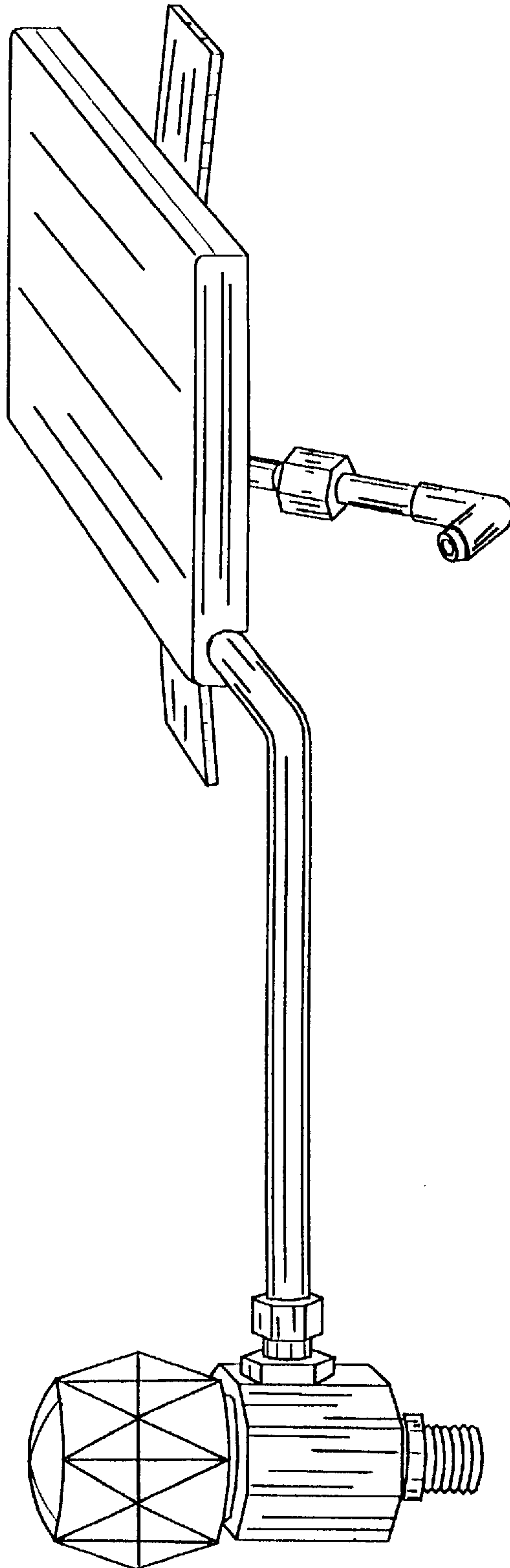


FIG. 8