

US00D400237S

**United States Patent** [19]  
**Millard et al.**

[11] **Patent Number: Des. 400,237**  
[45] **Date of Patent: \*\*Oct. 27, 1998**

[54] **LAVATORY**  
[75] Inventors: **Theresa J. Millard; James M. Neiman**, both of Sheboygan Falls, Wis.  
[73] Assignee: **Kohler Co.**, Kohler, Wis.  
[\*\*] Term: **14 Years**  
[21] Appl. No.: **68,880**  
[22] Filed: **Apr. 3, 1997**  
[51] **LOC (6) Cl.** ..... **23-01**  
[52] **U.S. Cl.** ..... **D23/293.1**  
[58] **Field of Search** ..... D23/284, 285, D23/288, 293.1; 4/619, 624, 625, 638-650

D. 320,066 9/1991 Dannenberg ..... D23/284  
D. 320,263 9/1991 Kohler, Jr. et al. .... D23/293.1  
D. 320,846 10/1991 Waldren .  
D. 356,148 3/1995 Kohler, Jr. et al. .... D23/293.1  
D. 360,254 7/1995 Kohler, Jr. et al. .  
928,696 7/1909 Podmore .

*Primary Examiner*—Stella Reid  
*Assistant Examiner*—Eric Watterson  
*Attorney, Agent, or Firm*—Merchant, Gould, Smith, Edell, Welter & Schmidt

[57] **CLAIM**

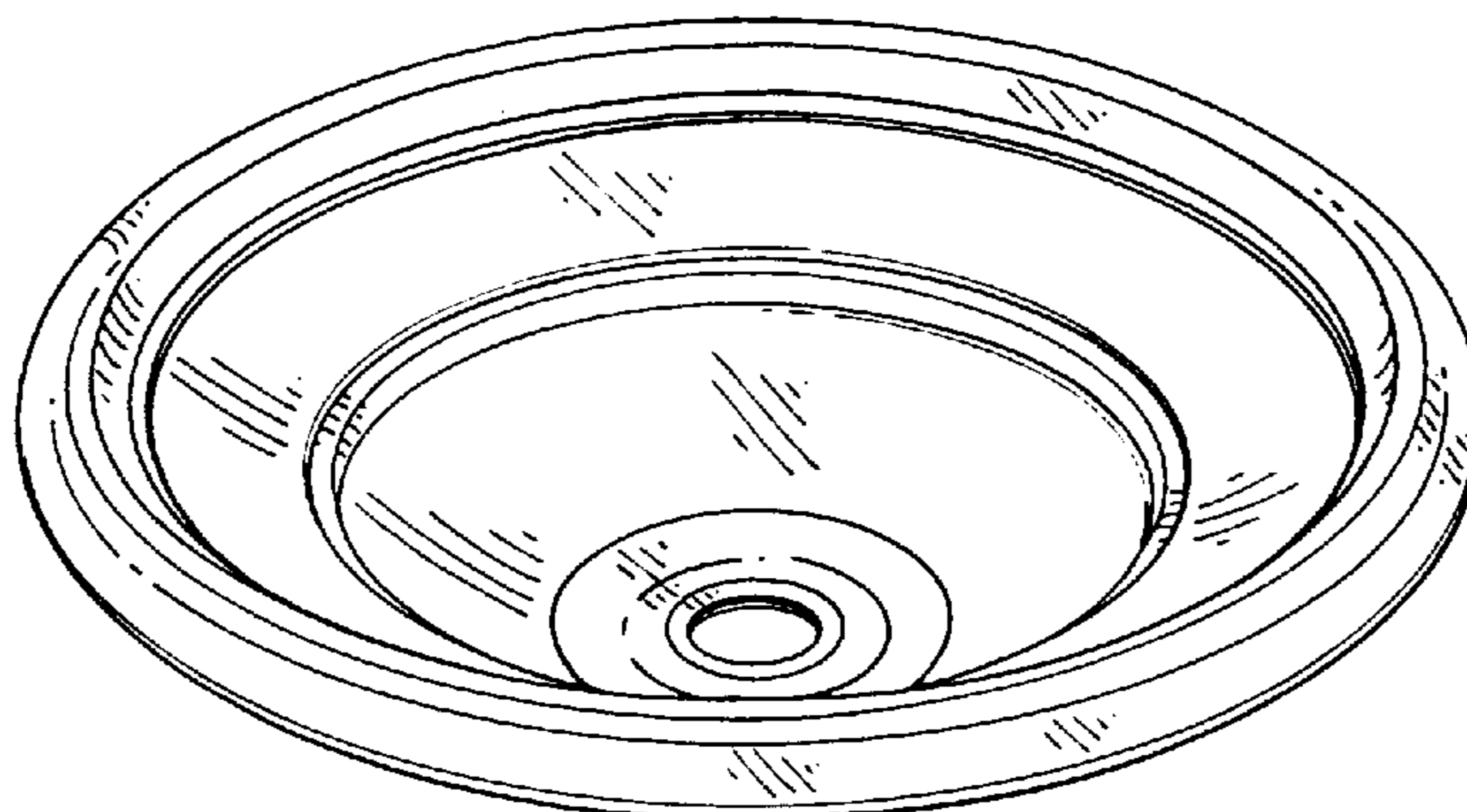
The ornamental design for a lavatory, as shown and described.

**DESCRIPTION**

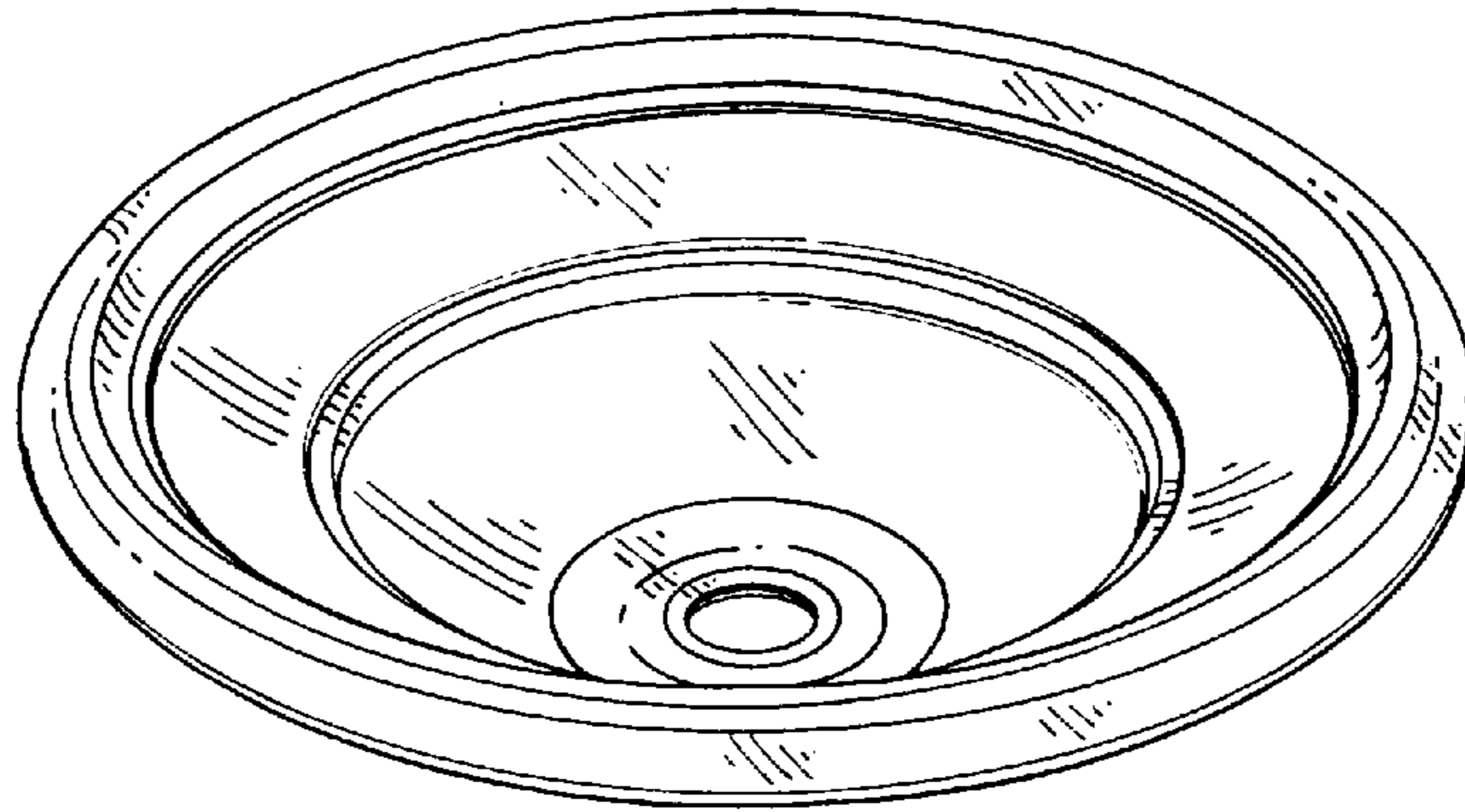
FIG. 1 is a perspective view of a lavatory, embodying our new design;  
FIG. 2 is a side elevational view, all other sides being identical;  
FIG. 3 is a bottom plan view of FIG. 1; and,  
FIG. 4 is a top plan view of FIG. 1.

**1 Claim, 2 Drawing Sheets**

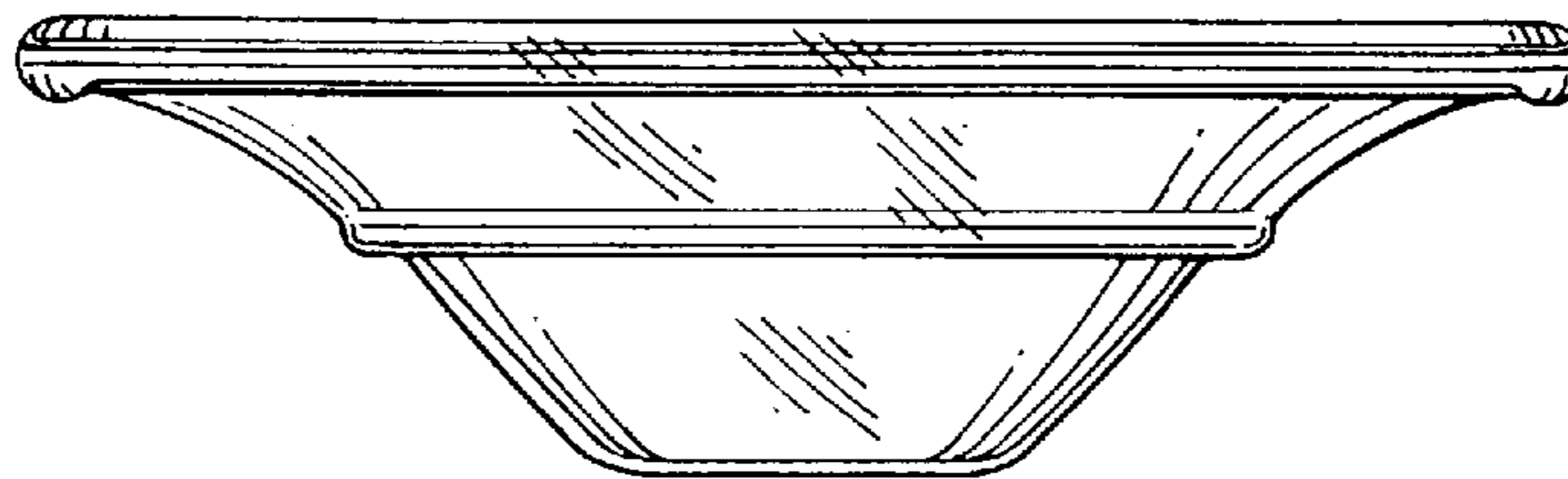
[56] **References Cited**  
U.S. PATENT DOCUMENTS  
D. 28,119 1/1898 Creque .  
D. 37,256 12/1904 Lloyd .  
D. 202,410 9/1965 Sundberg et al. .  
D. 217,968 7/1970 Armstrong .  
D. 295,671 5/1988 Kohler, Jr. .



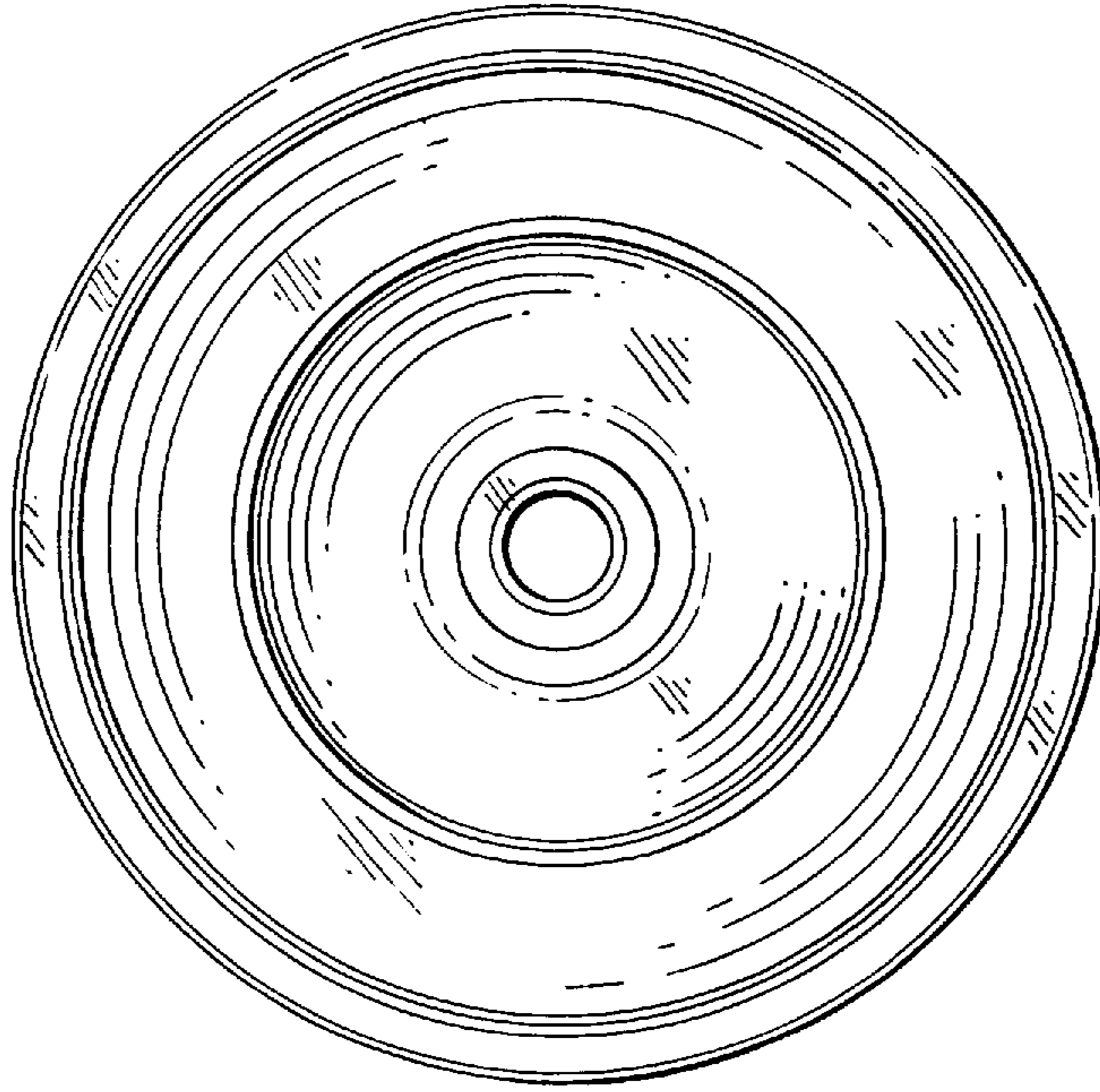
*Fig.1*



*Fig.2*



*Fig. 3*



*Fig. 4*

