



US00D400236S

**United States Patent** [19]  
**Gleffe**

[11] **Patent Number: Des. 400,236**

[45] **Date of Patent: \*\*Oct. 27, 1998**

[54] **TELESCOPING ICE FISHING ROD**

5,036,616 8/1991 Wilsey ..... 43/19.2 X  
5,040,323 8/1991 Hughes, Jr. .... 43/18.1  
5,199,206 4/1993 Richardson ..... 43/18.1

[76] Inventor: **Dale Gleffe**, S. 2270 State Rd. 35,  
Cochrane, Wis. 54622-9436

[\*\*] Term: **14 Years**

*Primary Examiner*—Doris V. Coles  
*Attorney, Agent, or Firm*—D. L. Tschida

[21] Appl. No.: **63,876**

[57] **CLAIM**

[22] Filed: **Dec. 17, 1996**

The ornamental design for a telescoping ice fishing rod, as shown and described.

[51] **LOC (6) Cl.** ..... **22-05**

**DESCRIPTION**

[52] **U.S. Cl.** ..... **D22/142**

[58] **Field of Search** ..... D22/142; 43/18.1,  
43/18.5, 19, 19.2; 248/511; 242/223

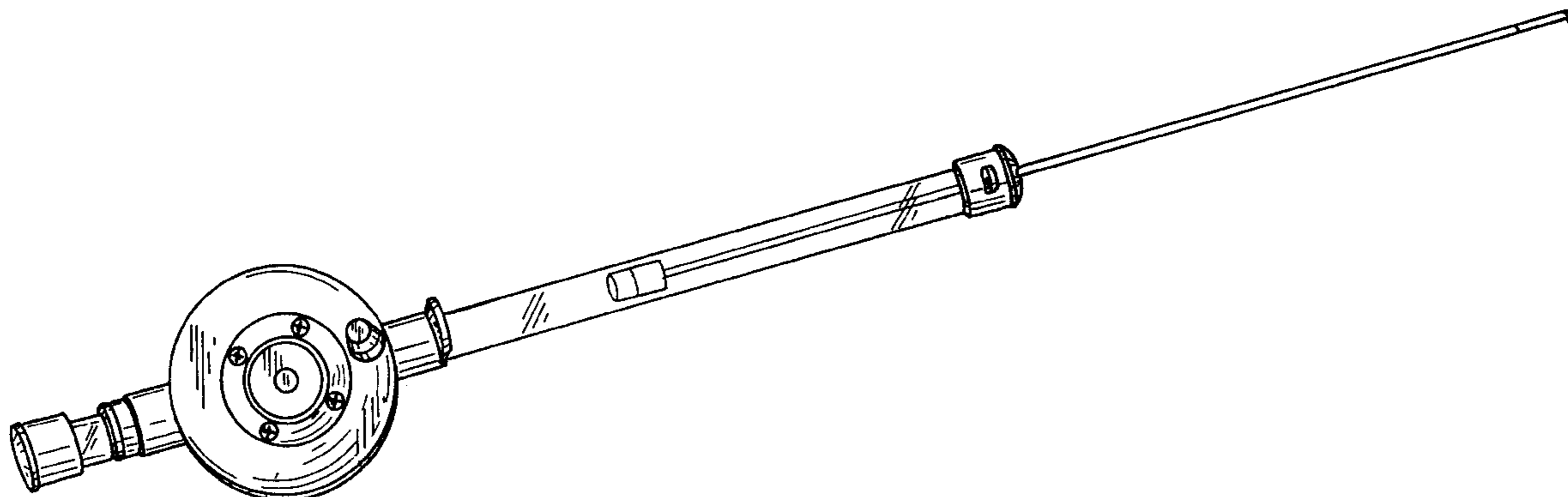
FIG. 1 is a perspective drawing showing my new design of a telescoping ice fishing rod with the rod tip extended; FIG. 2 is a top plan view thereof with the tip retracted; FIG. 3 is a bottom plan view thereof with the tip retracted; FIG. 4 is a left side elevation view with the tip retracted, the right side elevation view being a mirror image; FIG. 5 is a front view thereof shown in enlarged view; FIG. 6 is a rear view thereof shown in enlarged view; and, FIG. 7 is an enlarged view of the tip.

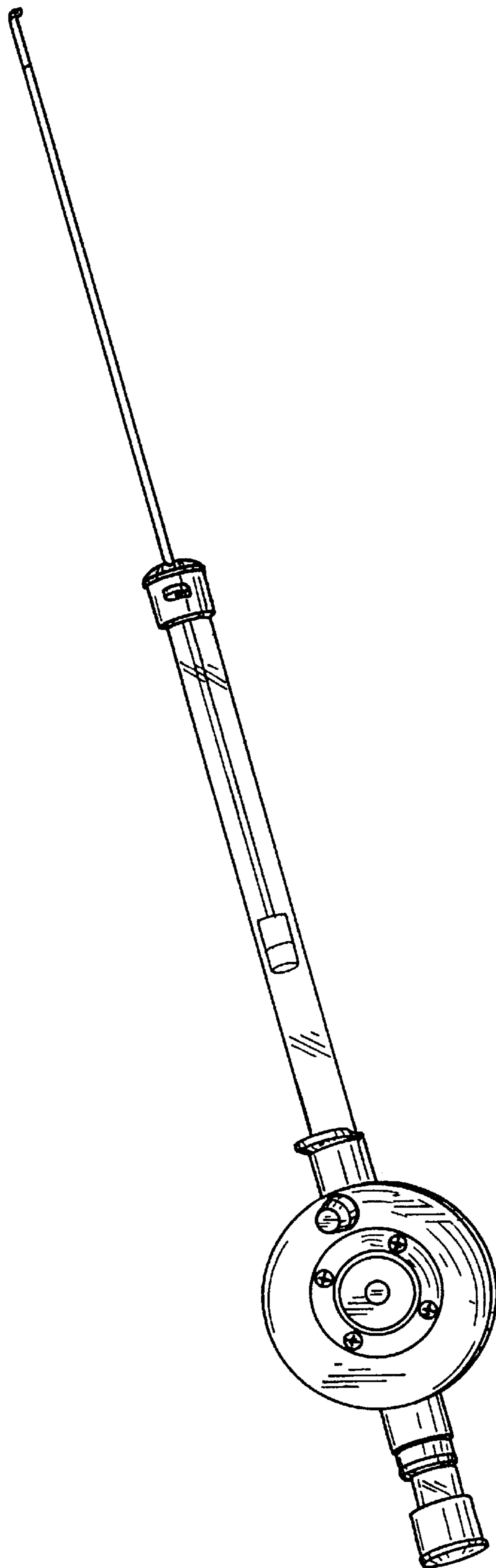
[56] **References Cited**

**U.S. PATENT DOCUMENTS**

3,034,246 5/1962 Davidson ..... 242/223 X  
3,447,254 6/1969 Sobel et al. .... 43/18.1  
3,530,611 9/1970 Britt ..... 248/511  
4,251,939 2/1981 Tiede ..... 43/19.2  
4,280,295 7/1981 Hoeving et al. .... 43/19.2  
4,905,398 3/1990 Botbyl ..... 43/18.1 X

**1 Claim, 7 Drawing Sheets**





*FIG. 1*

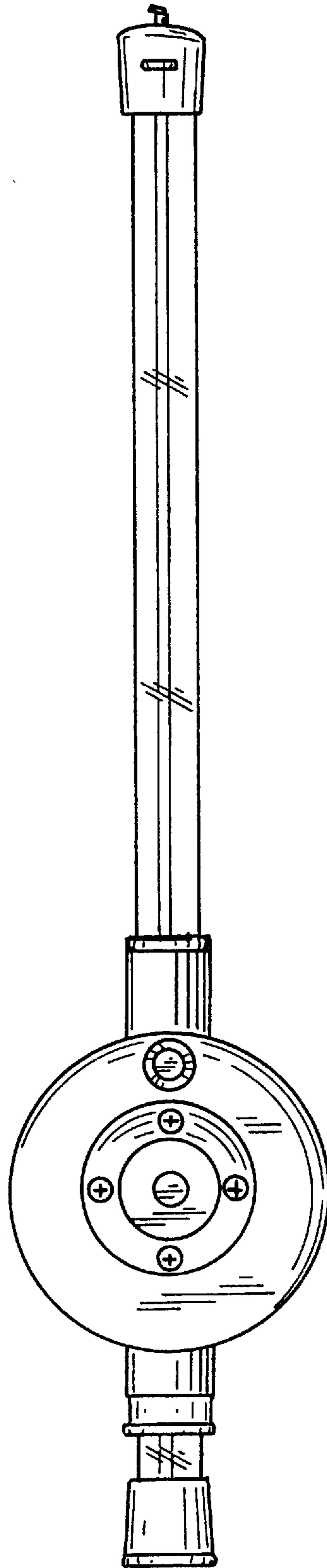
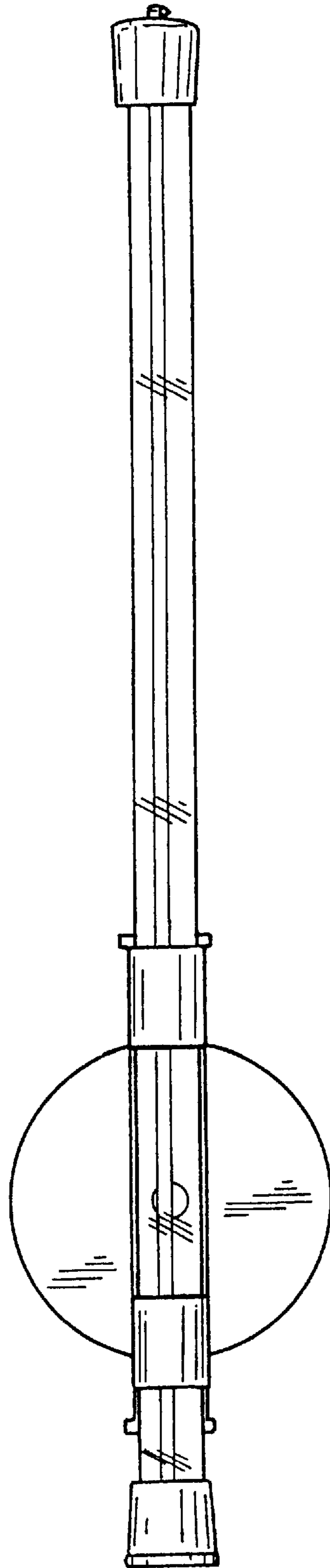
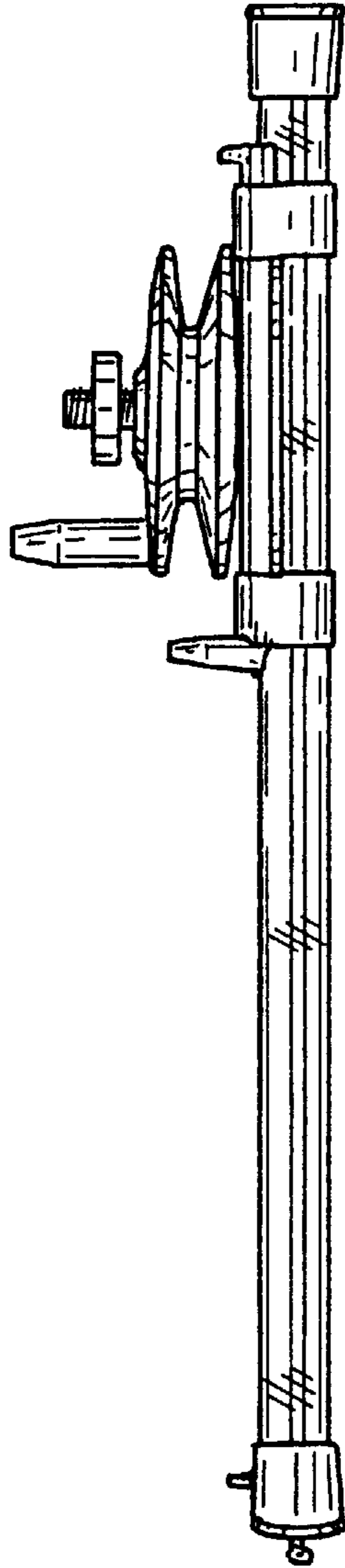


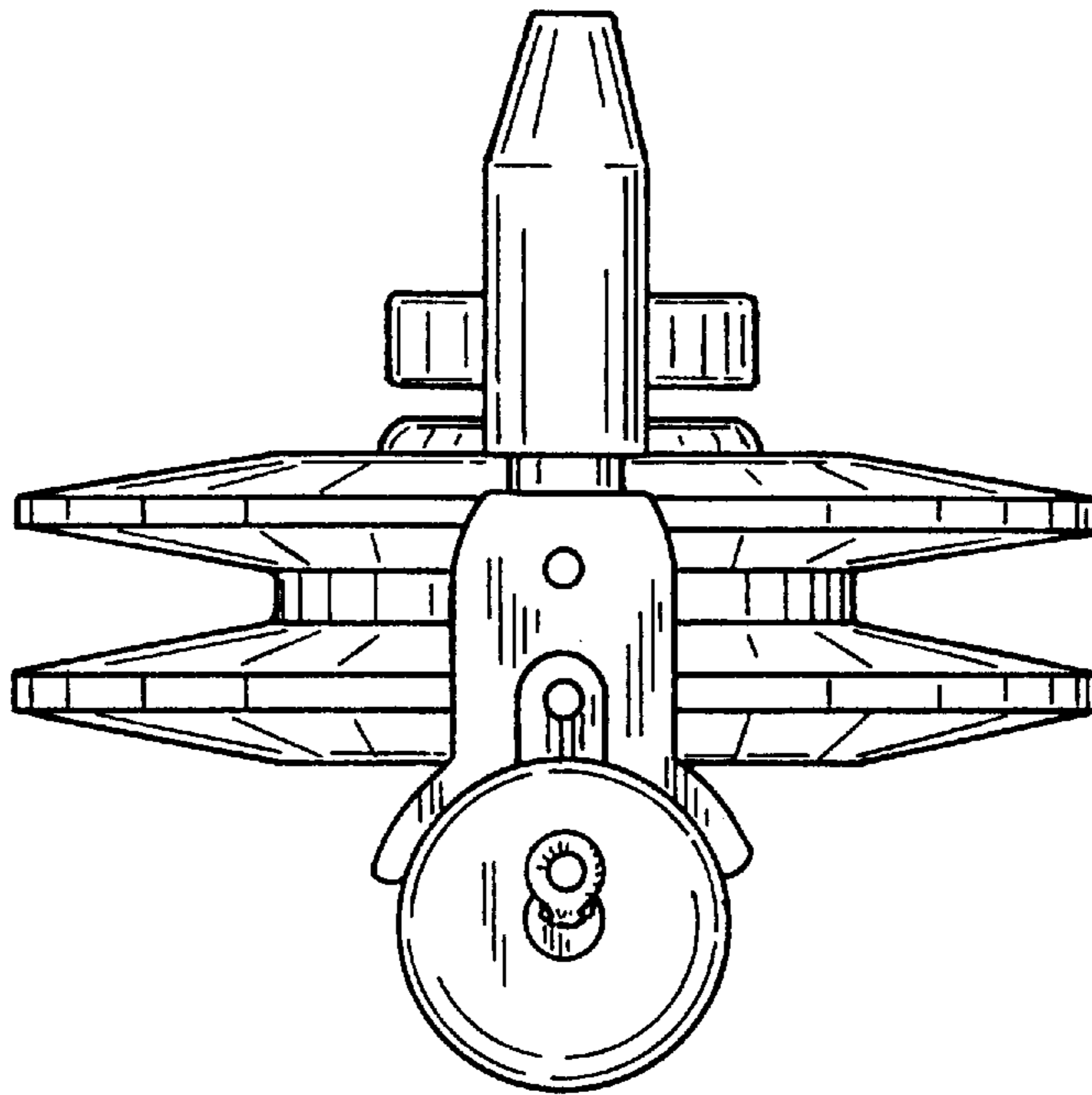
FIG. 2



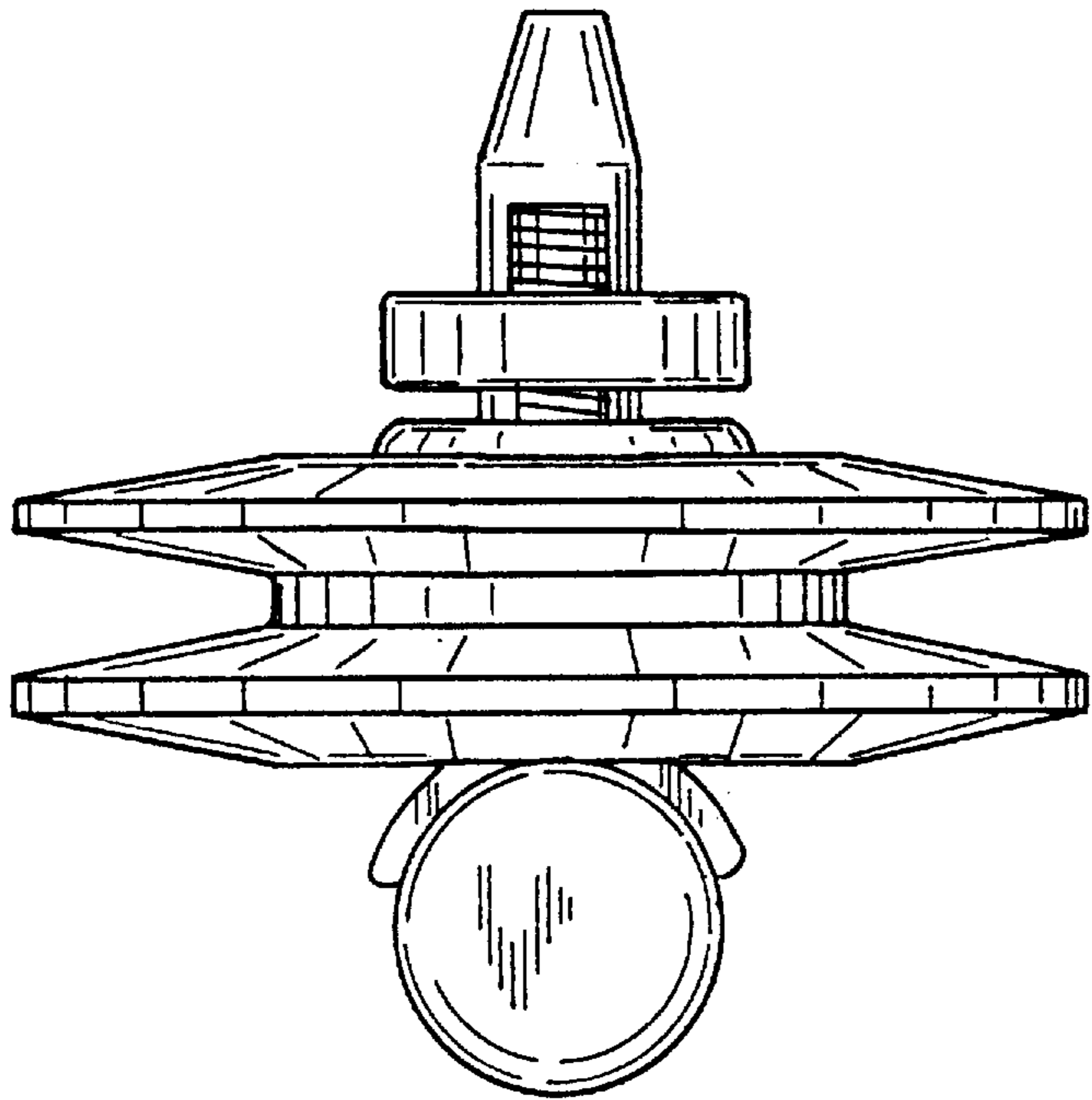
*FIG. 3*



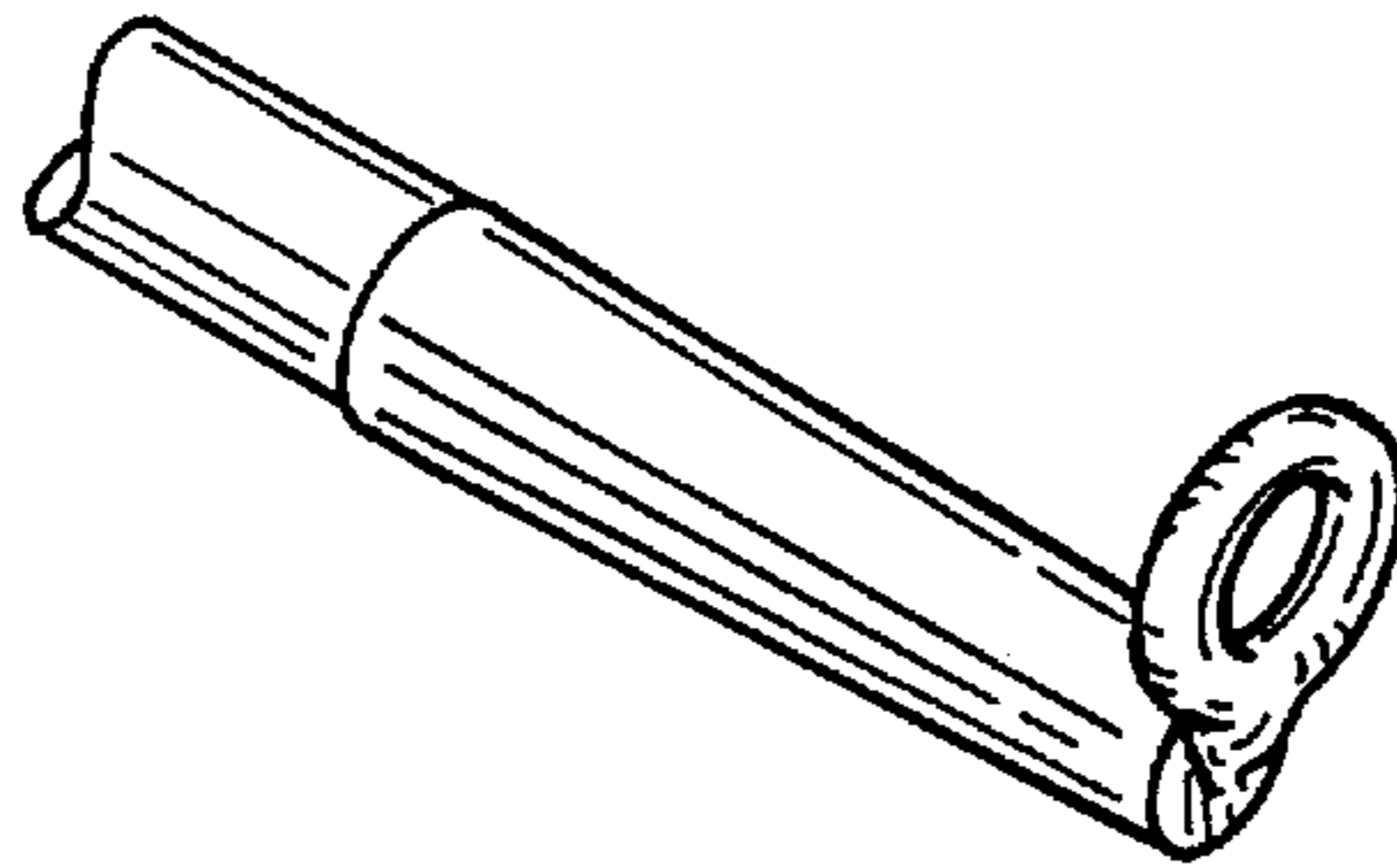
*FIG. 4*



*FIG. 5*



*FIG. 6*



*FIG. 7*