



US00D400233S

United States Patent [19] Park

[11] **Patent Number: Des. 400,233**

[45] **Date of Patent: **Oct. 27, 1998**

[54] **SADDLE FOR GUITAR**

[76] Inventor: **In Jae Park**, 477-7, Tokgye-Ri,
Hoechon-Eup, Yangju-Gun,
Kyonggi-Do, Rep. of Korea

[**] Term: **14 Years**

[21] Appl. No.: **59,862**

[22] Filed: **Sep. 17, 1996**

[51] **LOC (6) Cl. 17-03**

[52] **U.S. Cl. D17/20**

[58] **Field of Search D17/20, 21, 14,
D17/15, 18, 19; 84/298, 299, 307, 314 N**

[56] **References Cited**

U.S. PATENT DOCUMENTS

D. 222,110	9/1971	Rendell	D17/21
D. 256,132	7/1980	Wilson	D17/21
D. 269,438	6/1983	Peavey	D17/20
490,528	1/1893	Wooster	84/298
5,271,307	12/1993	Pollock	84/307

FOREIGN PATENT DOCUMENTS

WO82/02108	6/1982	WIPO	84/299
------------	--------	------	-------	--------

Primary Examiner—Sandra L. Morris
Assistant Examiner—Adir Aronovich
Attorney, Agent, or Firm—Dougherty & Dremann

[57] **CLAIM**

The ornamental design for a saddle for guitar, as shown and described.

DESCRIPTION

FIG. 1 is a front view of a guitar with my new saddle for guitar design installed thereon, the guitar being shown in dashed lines and forming no part of the invention;

FIG. 2 is a enlarged perspective view of my saddle for guitar, showing the new design;

FIG. 3 is a front elevational view thereof;

FIG. 4 is a back elevational view thereof;

FIG. 5 is a top view thereof;

FIG. 6 is a bottom view thereof;

FIG. 7 is a left side view thereof; and,

FIG. 8 is a right side view thereof.

1 Claim, 3 Drawing Sheets

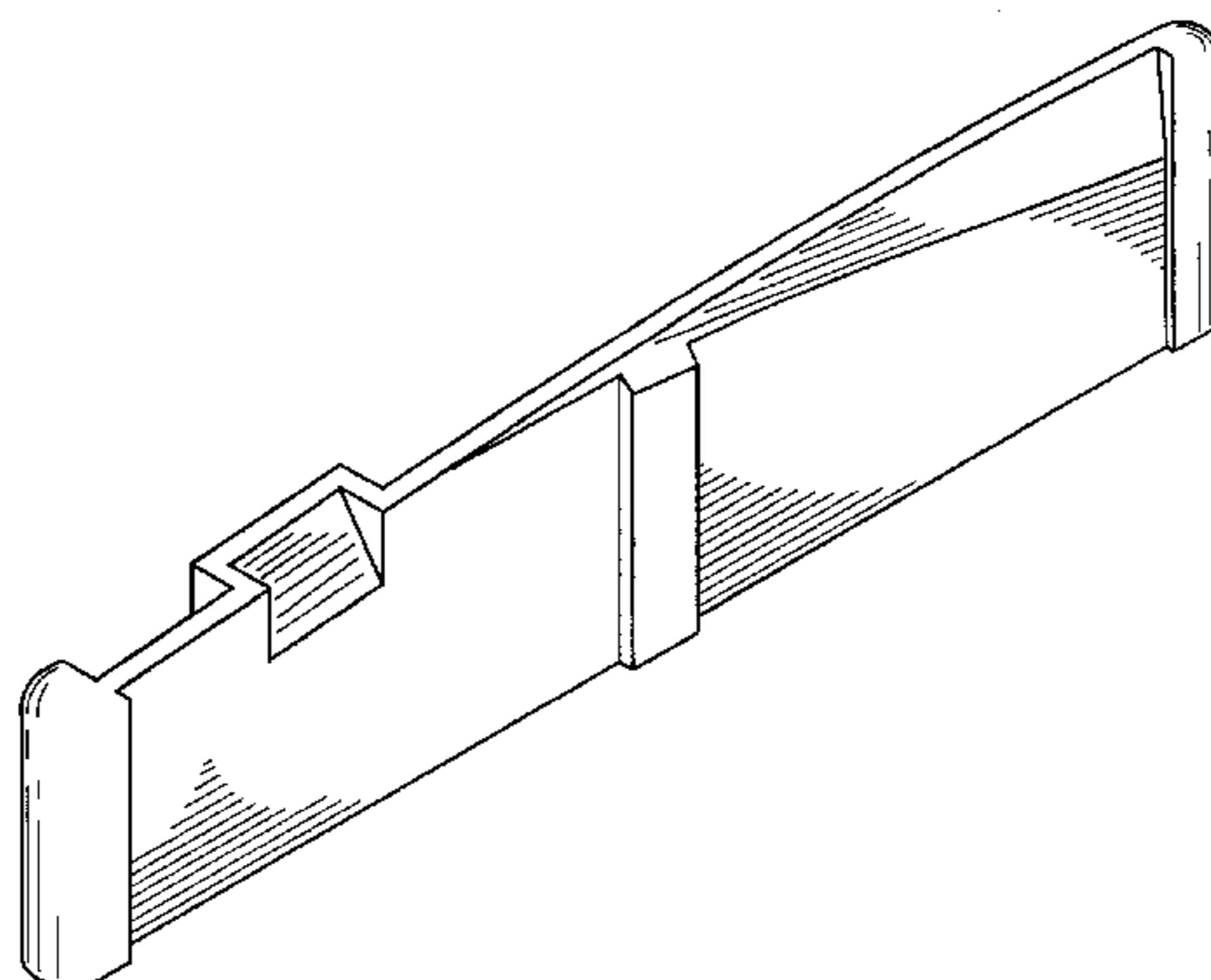
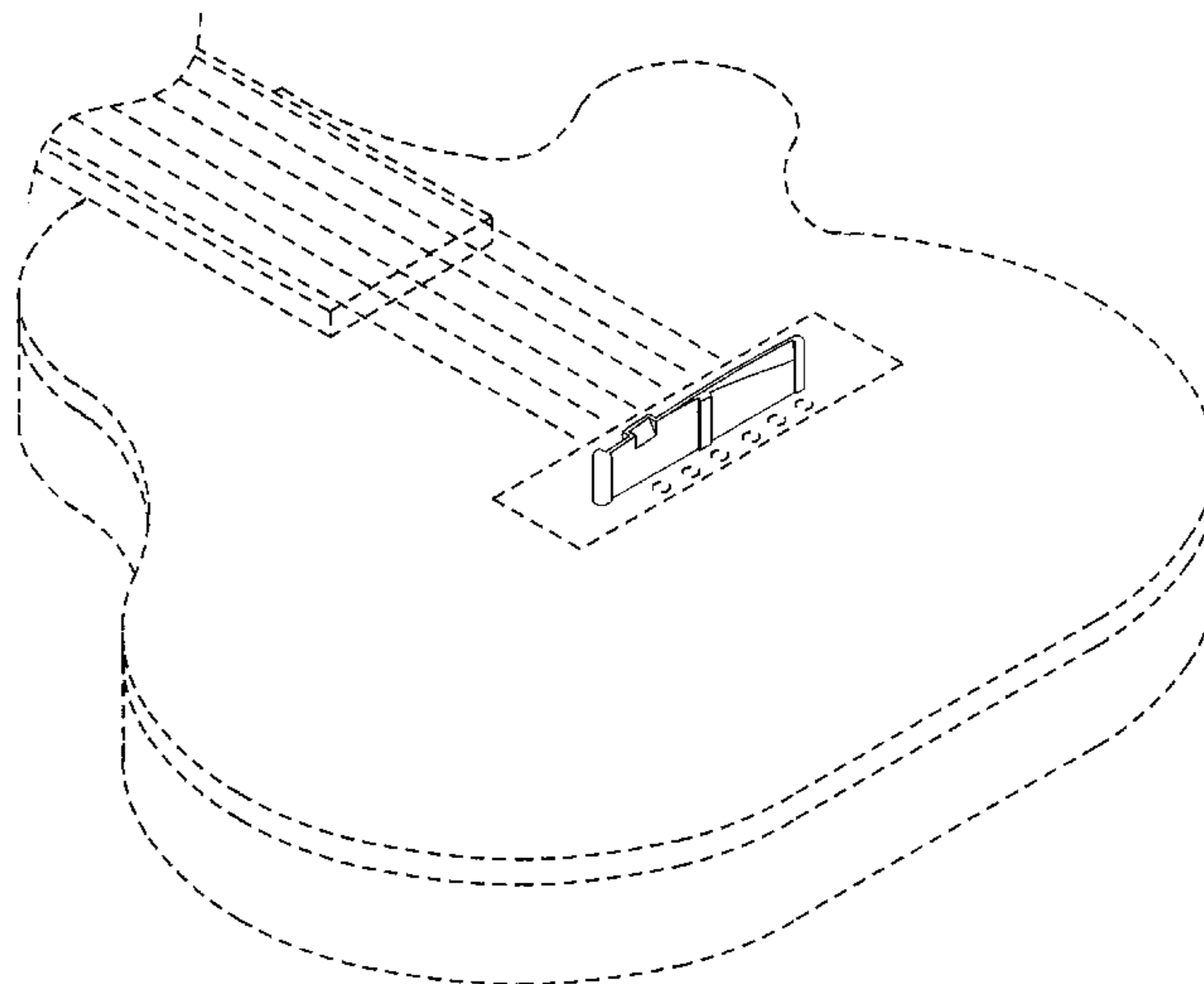


Fig. 1

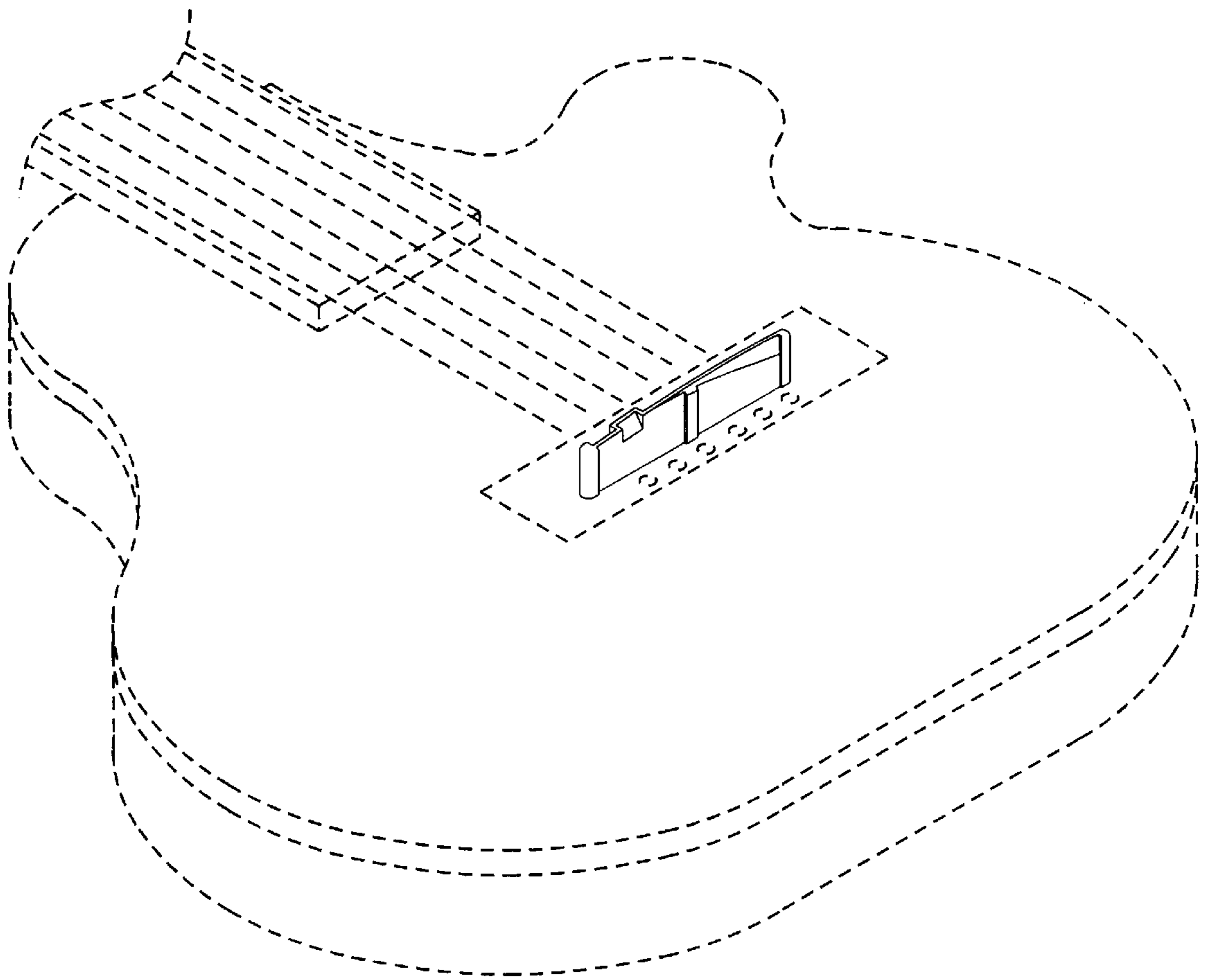


Fig.2

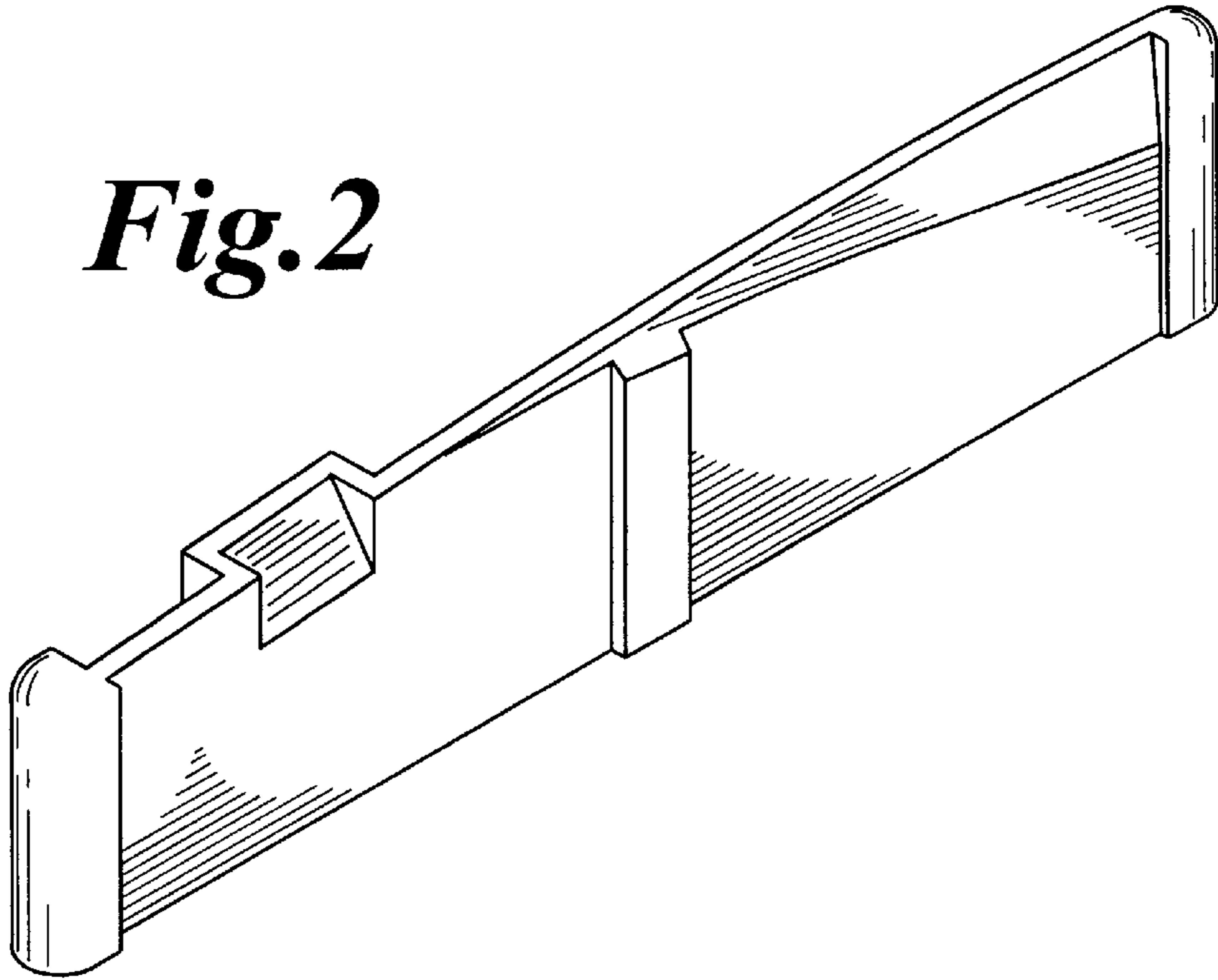


Fig.3

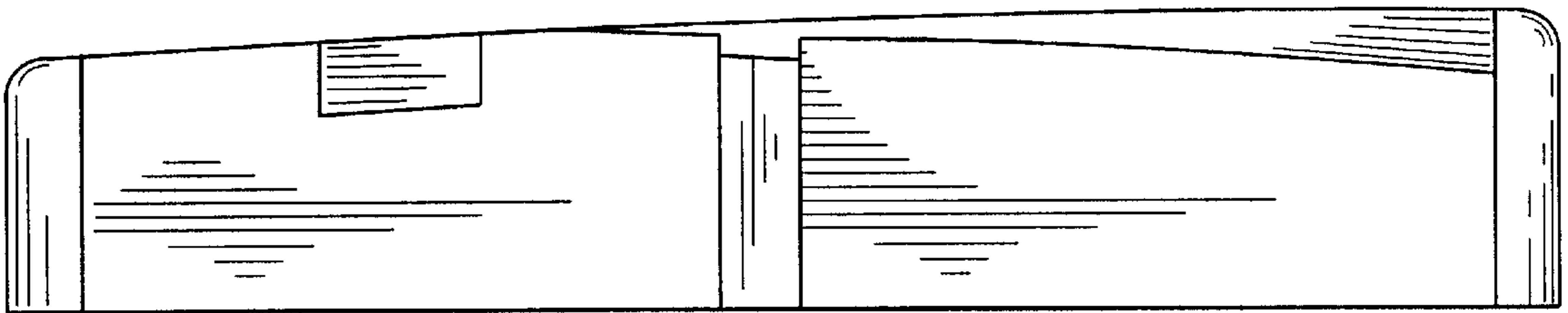


Fig.4



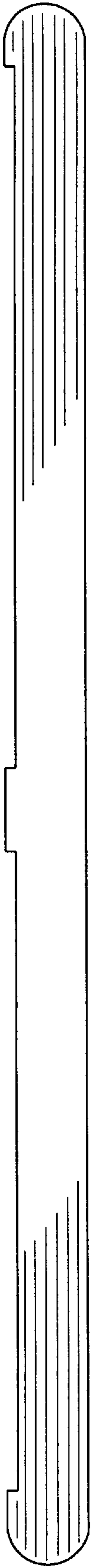


Fig. 5



Fig. 6



Fig. 8

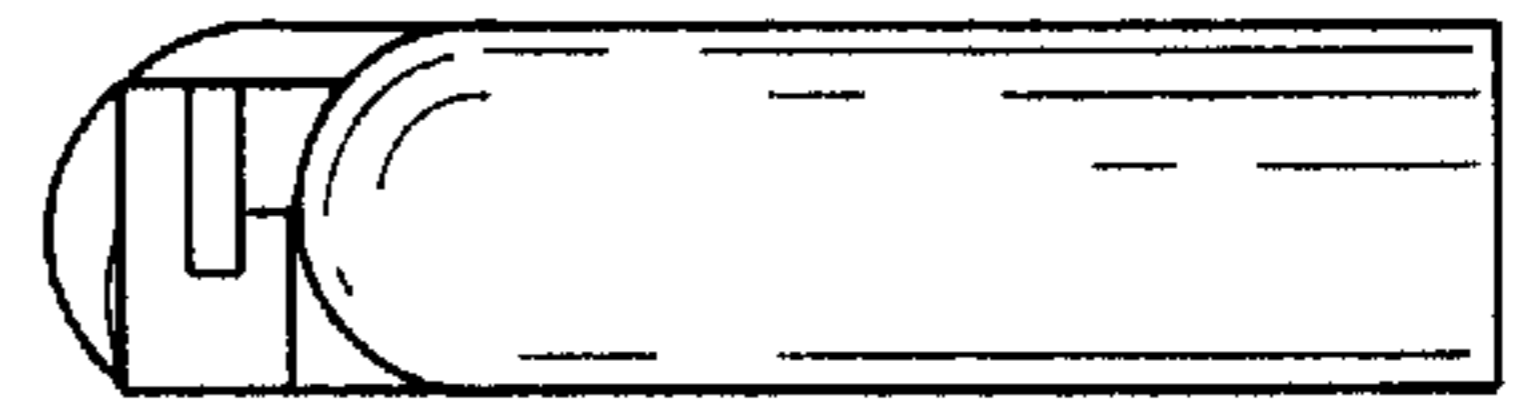


Fig. 7