



US00D400228S

United States Patent [19]
Chang

[11] **Patent Number: Des. 400,228**

[45] **Date of Patent: **Oct. 27, 1998**

[54] **EYEGLASSES**

D. 391,979 3/1998 Chang D16/307
D. 391,981 3/1998 Chang D16/306

[76] Inventor: **T. S. Chang**, 1, Alley 99, Lane 274,
Chungcheng S. Road, Yungkang,
Tainan, Taiwan

Primary Examiner—Raphael Barkai
Attorney, Agent, or Firm—Pro-Techtor International
Services

[**] Term: **14 Years**

[57] **CLAIM**

[21] Appl. No.: **78,920**

The ornamental design for an eyeglasses, as shown and described.

[22] Filed: **Nov. 6, 1997**

DESCRIPTION

[51] **LOC (6) Cl.** **16-06**

[52] **U.S. Cl.** **D16/307**

[58] **Field of Search** D16/101, 300-330,
D16/335; D21/190, 157, 185; 351/41, 44,
51, 52, 158; 2/426, 1, 12, 13

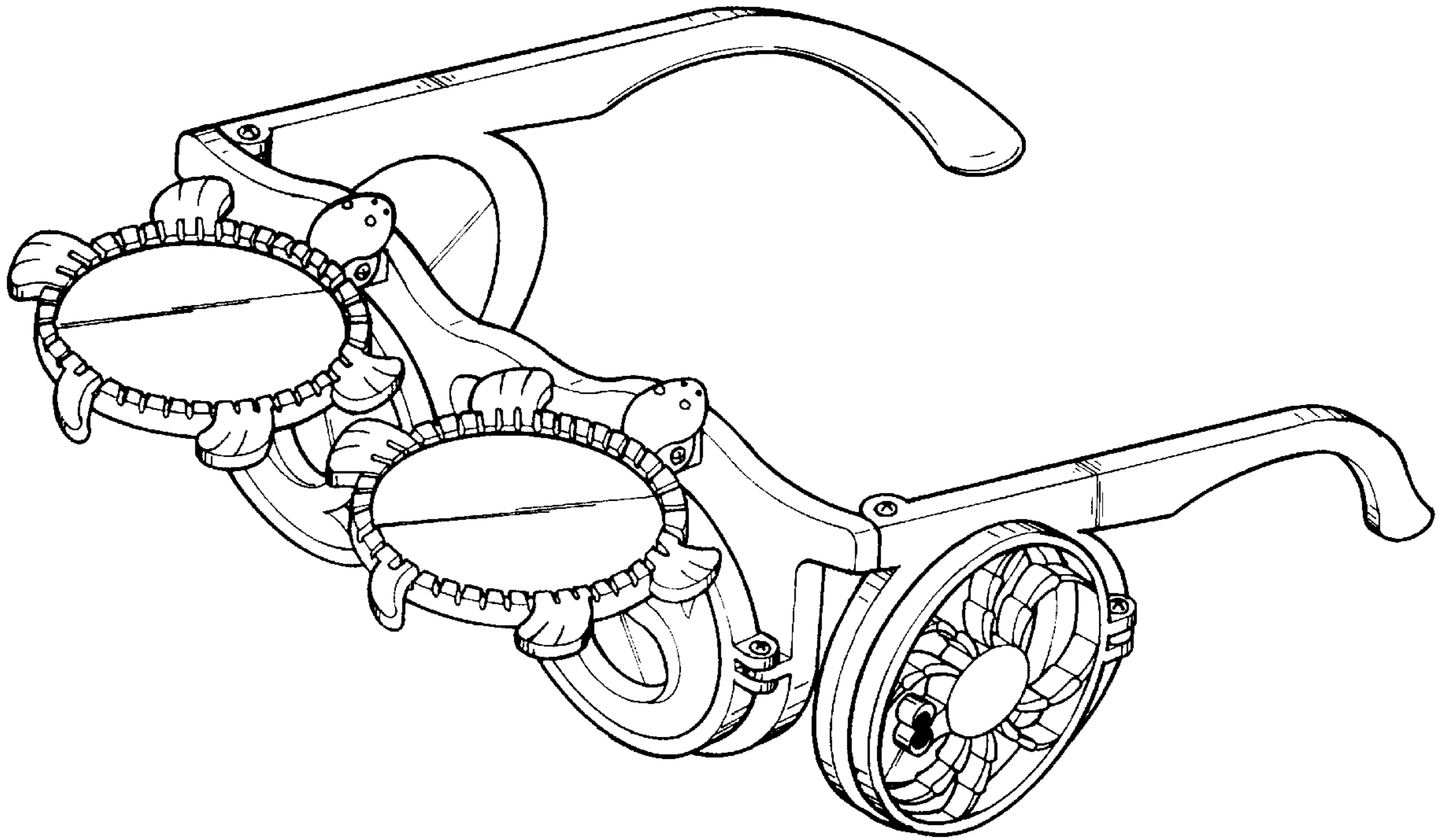
FIG. 1 is a perspective view of an eyeglasses showing my new design;
FIG. 2 is a front elevational view of the design;
FIG. 3 is a rear elevational view of the design;
FIG. 4 is a top plan view of the design;
FIG. 5 is a bottom plan view of the design;
FIG. 6 is a left side elevational view of the design, the side opposite being a mirror image; and,
FIG. 7 is a perspective view thereof, with the front and side lenses in the opened position.

[56] **References Cited**

U.S. PATENT DOCUMENTS

D. 150,833 9/1948 Flagg D16/307
D. 179,019 10/1956 Mangan D16/306
D. 364,885 12/1995 Chang D16/306
D. 381,352 7/1997 Chang D16/306

1 Claim, 6 Drawing Sheets



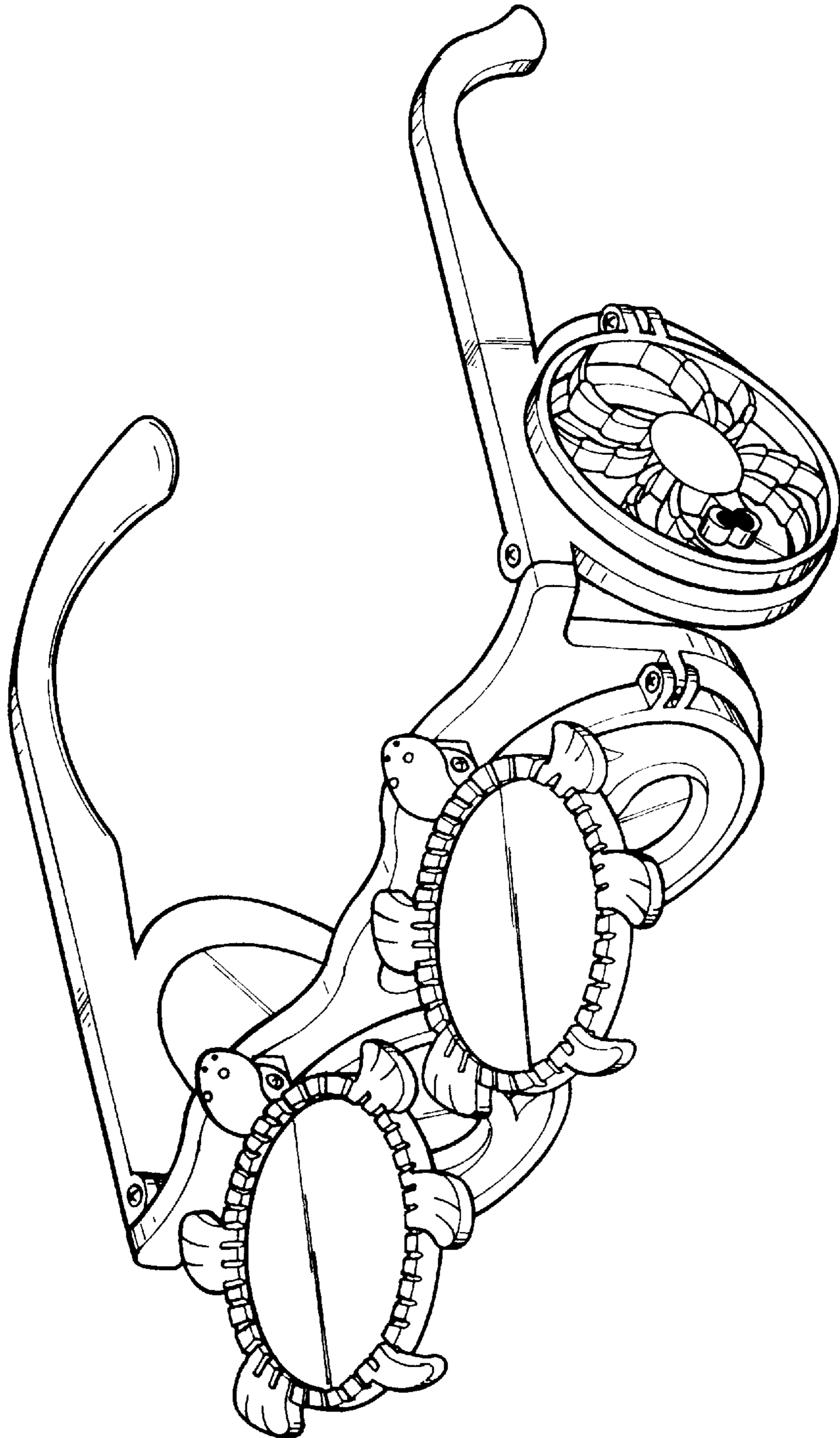


FIG. 1

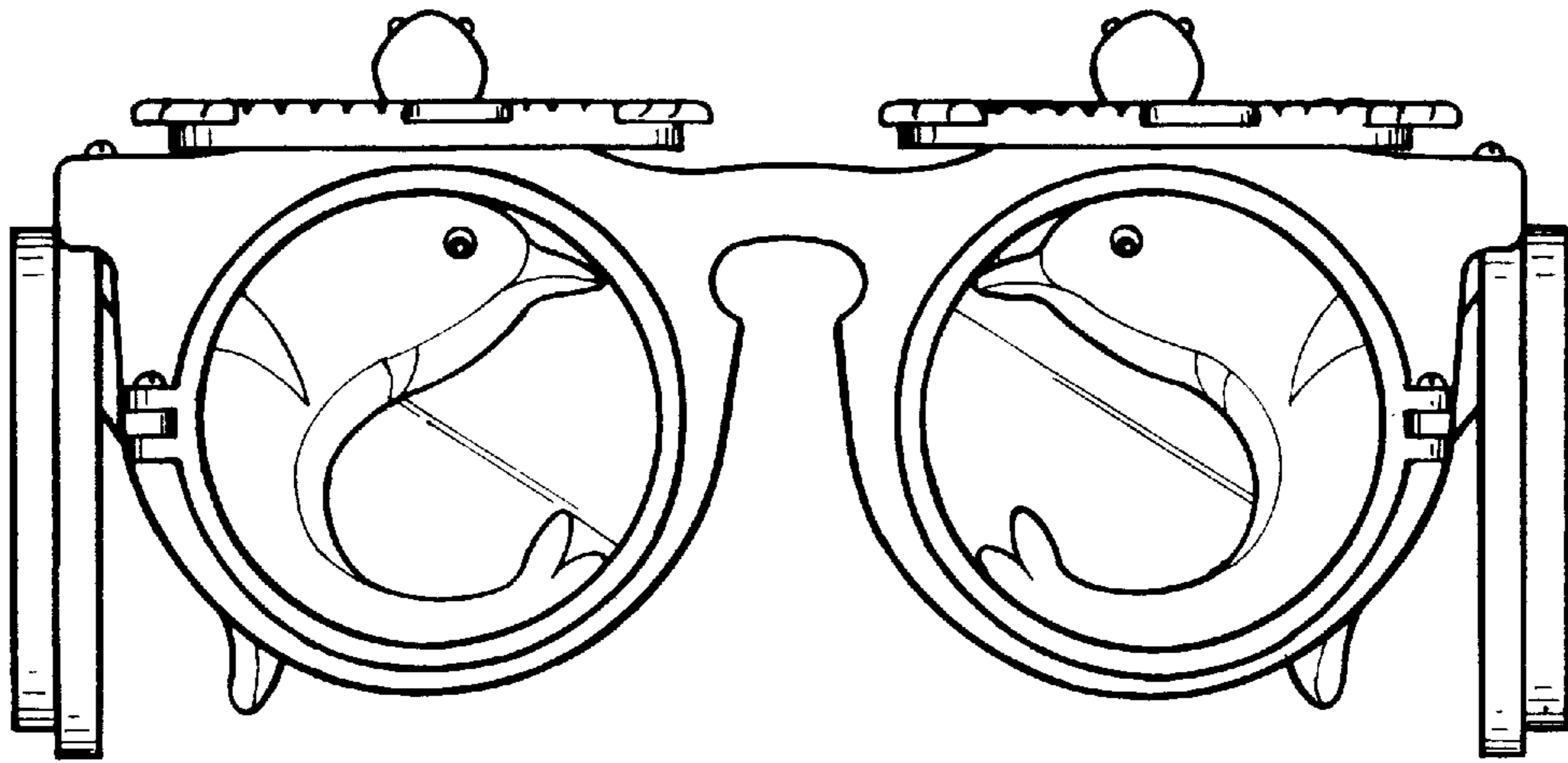


FIG. 2

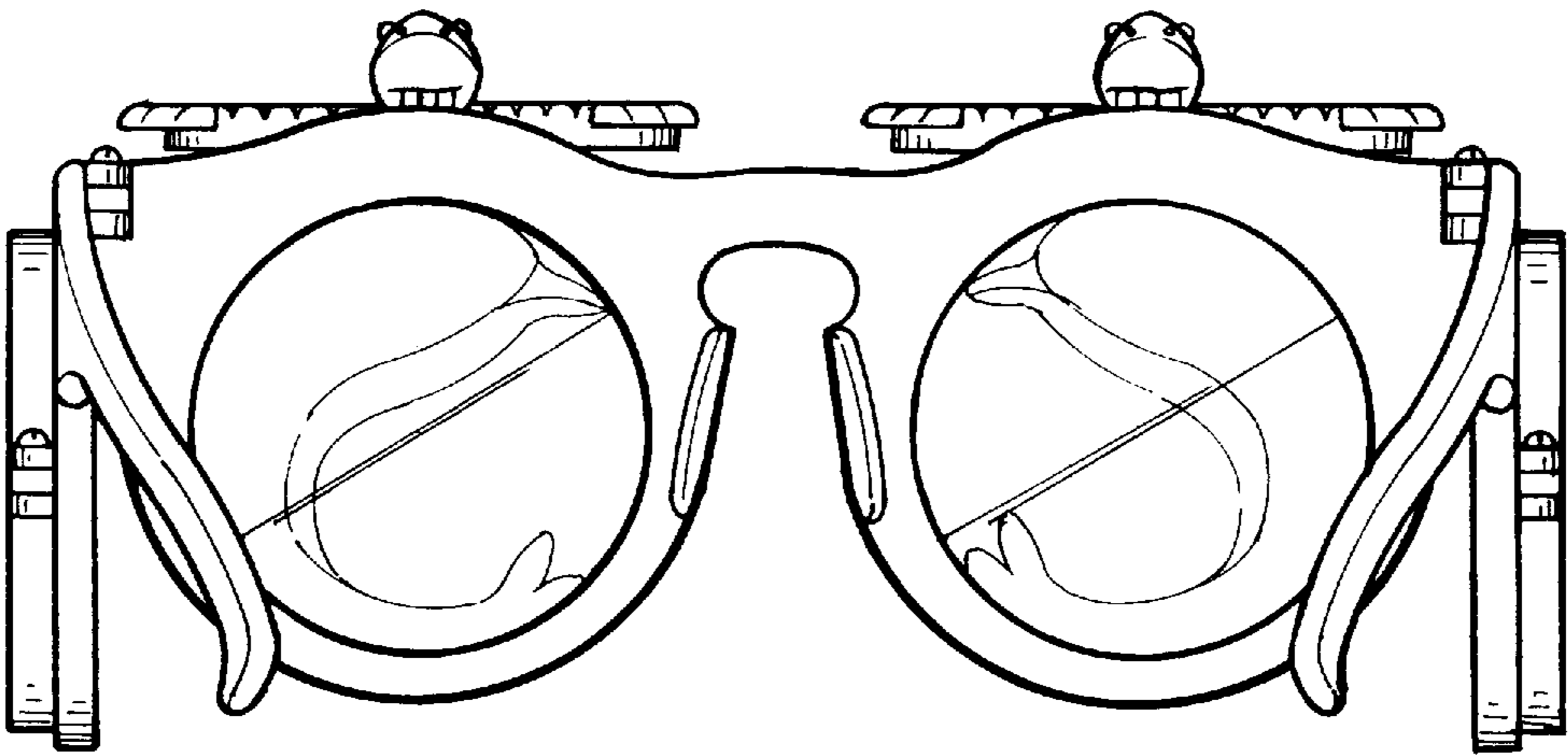


FIG. 3

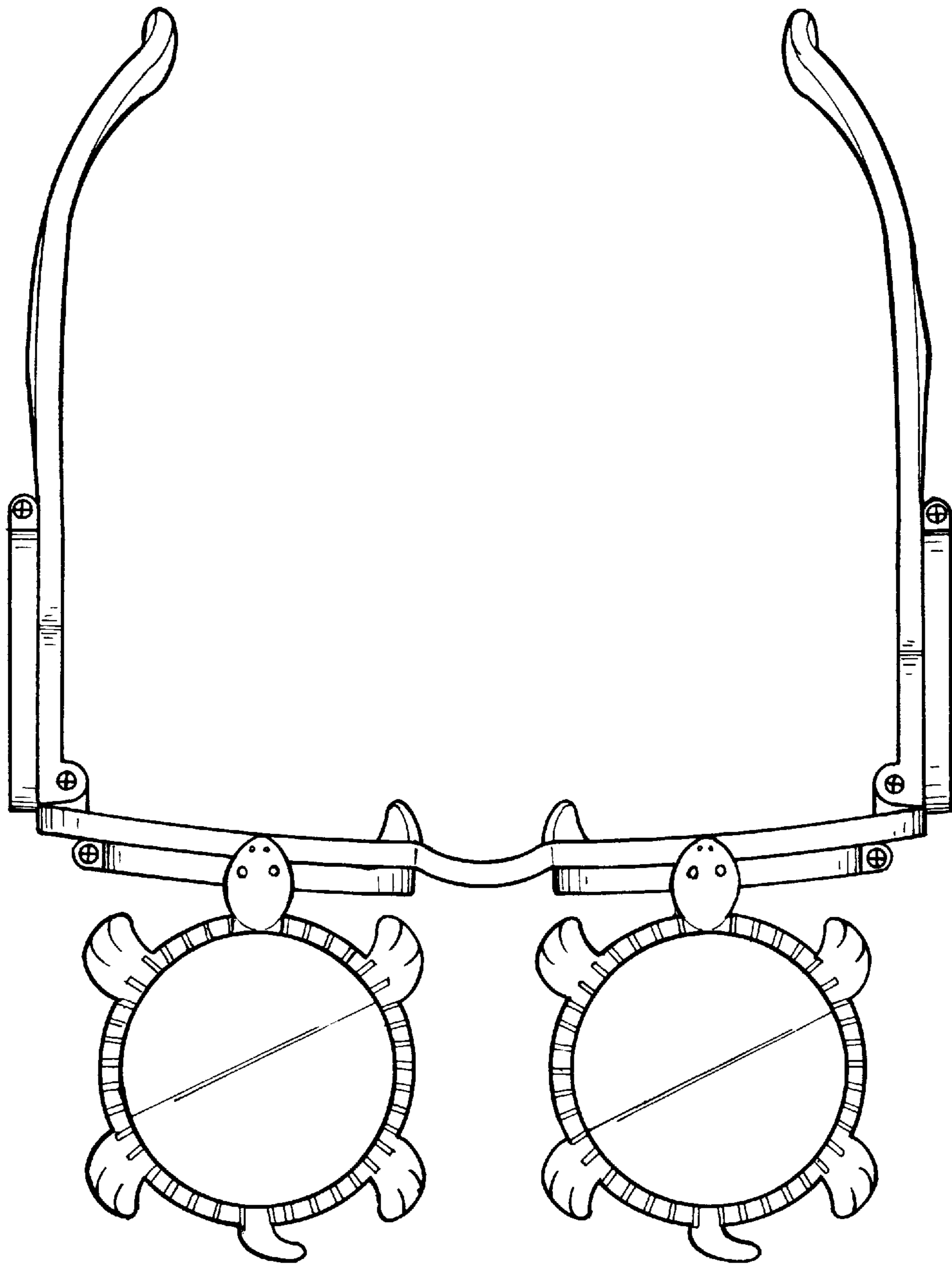


FIG. 4

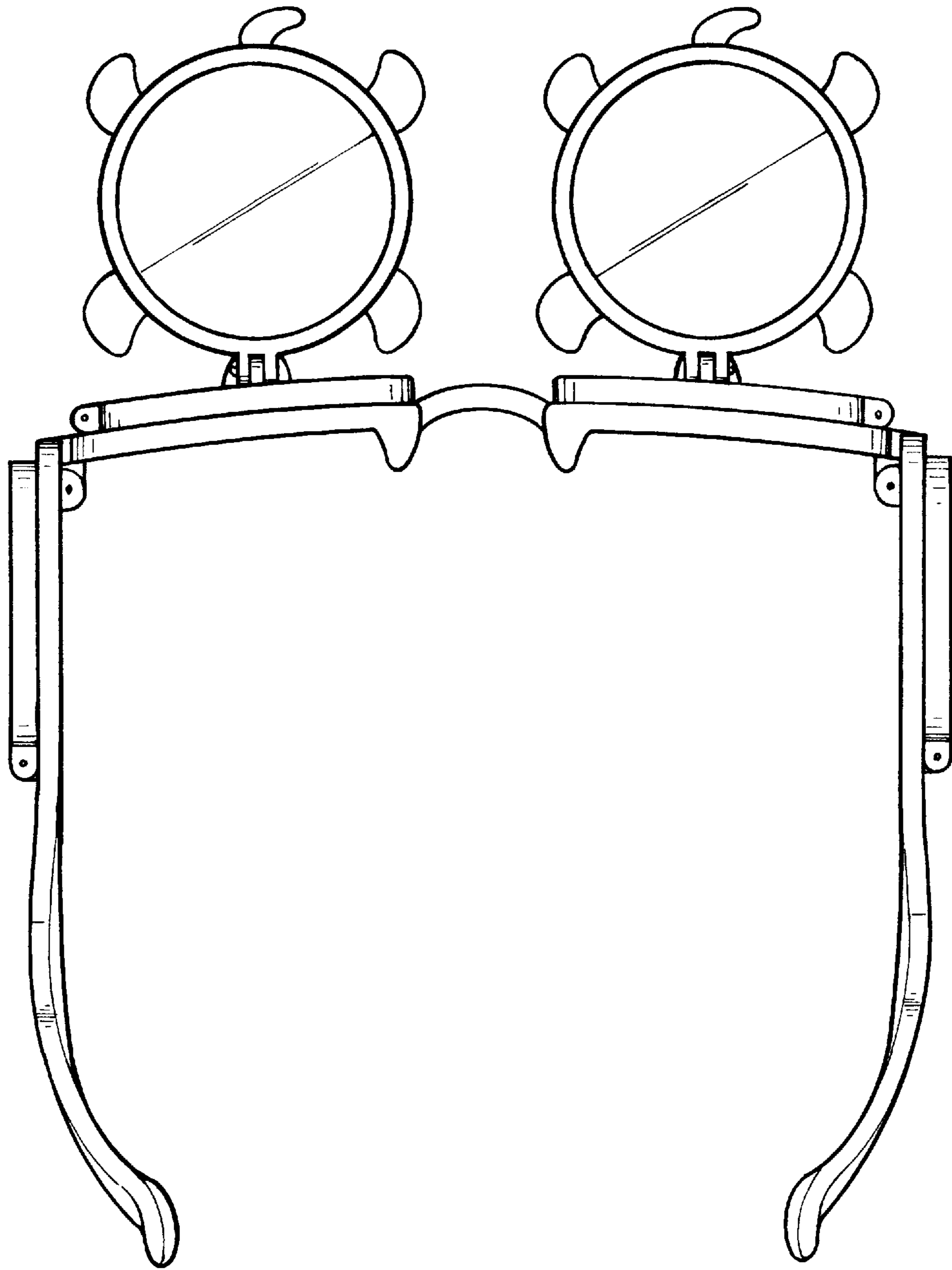


FIG. 5

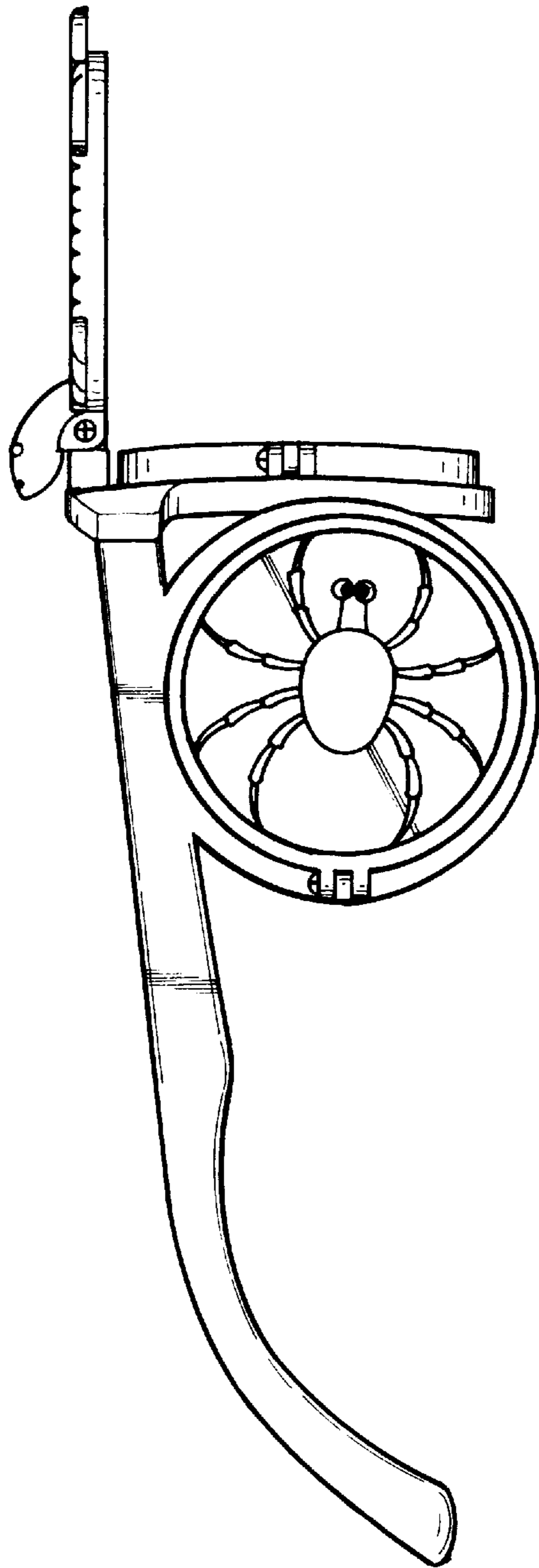


FIG. 6

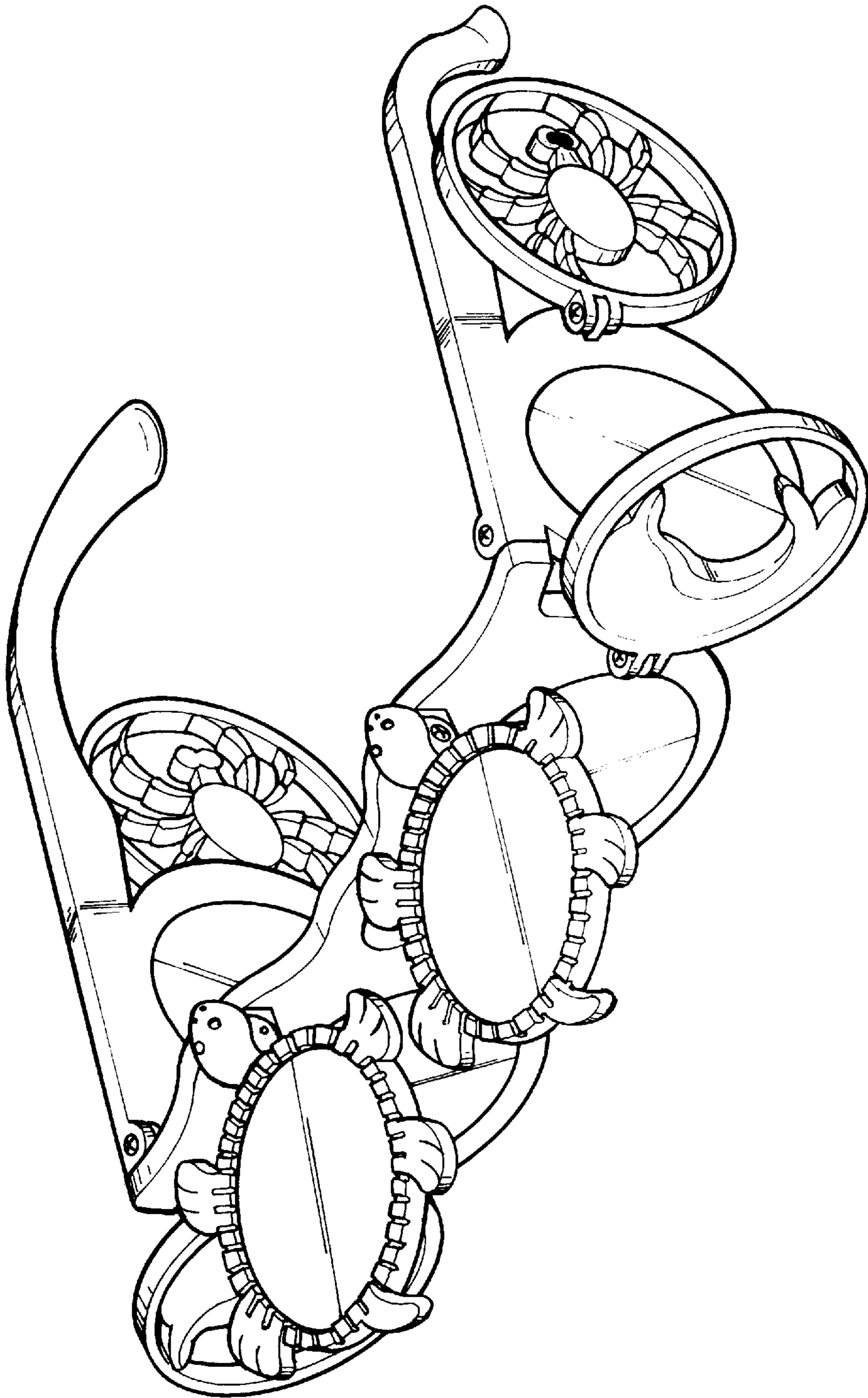


FIG. 7