



US00D400227S

United States Patent [19] Tenne

[11] **Patent Number: Des. 400,227**

[45] **Date of Patent: **Oct. 27, 1998**

[54] **FLASHGUN FOR CAMERA**

[75] Inventor: **Lave Tenne**, Göteborg, Sweden

[73] Assignee: **Victor Hasselblad AB**, Sweden

[**] Term: **14 Years**

[21] Appl. No.: **68,133**

[22] Filed: **Mar. 13, 1997**

[30] Foreign Application Priority Data

Sep. 17, 1996 [DE] Germany M 96 08 230.5

[51] **LOC (6) Cl.** **16-05**

[52] **U.S. Cl.** **D16/239**

[58] **Field of Search** D16/237, 239,
D16/240; D26/37, 50; 362/3, 7, 11; 396/155

[56] References Cited

U.S. PATENT DOCUMENTS

D. 161,110	12/1950	Knowles	D16/239
D. 177,012	3/1956	Bounds	D16/239
D. 198,726	7/1964	Conner et al.	D16/239
D. 319,067	8/1991	Hanke et al.	D16/239

2,646,672 7/1953 Fairbank 362/7

FOREIGN PATENT DOCUMENTS

742679 12/1955 United Kingdom 362/16

OTHER PUBLICATIONS

Graflex Inc. Catalog (Strobomite flash unit), Oct. 1957.

Primary Examiner—Sandra L. Morris

Assistant Examiner—Adir Aronovich

Attorney, Agent, or Firm—Lerner, David, Littenberg,
Krumholz & Mentlik

[57] CLAIM

The ornamental design for a flashgun for camera, as shown and described.

DESCRIPTION

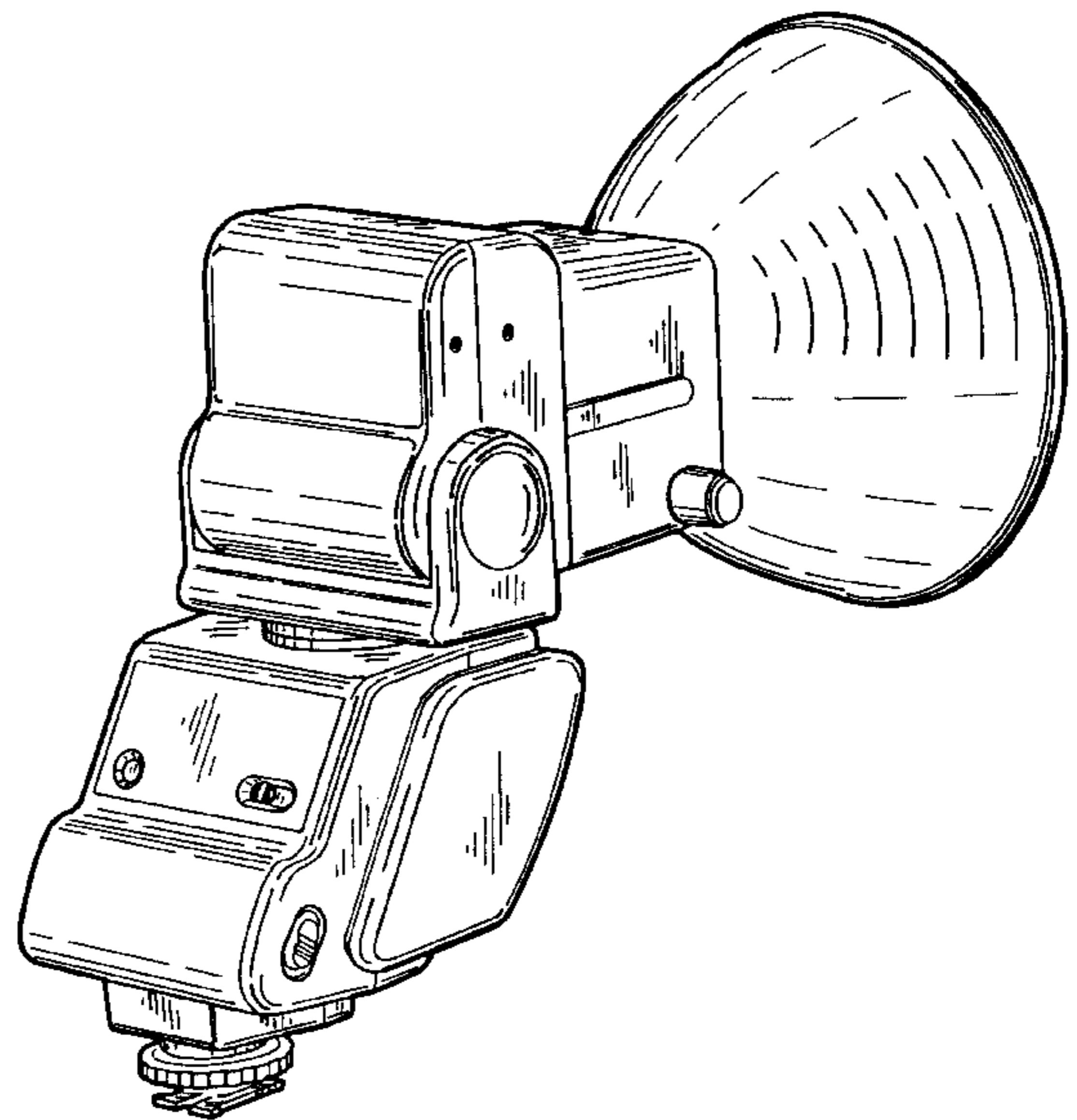
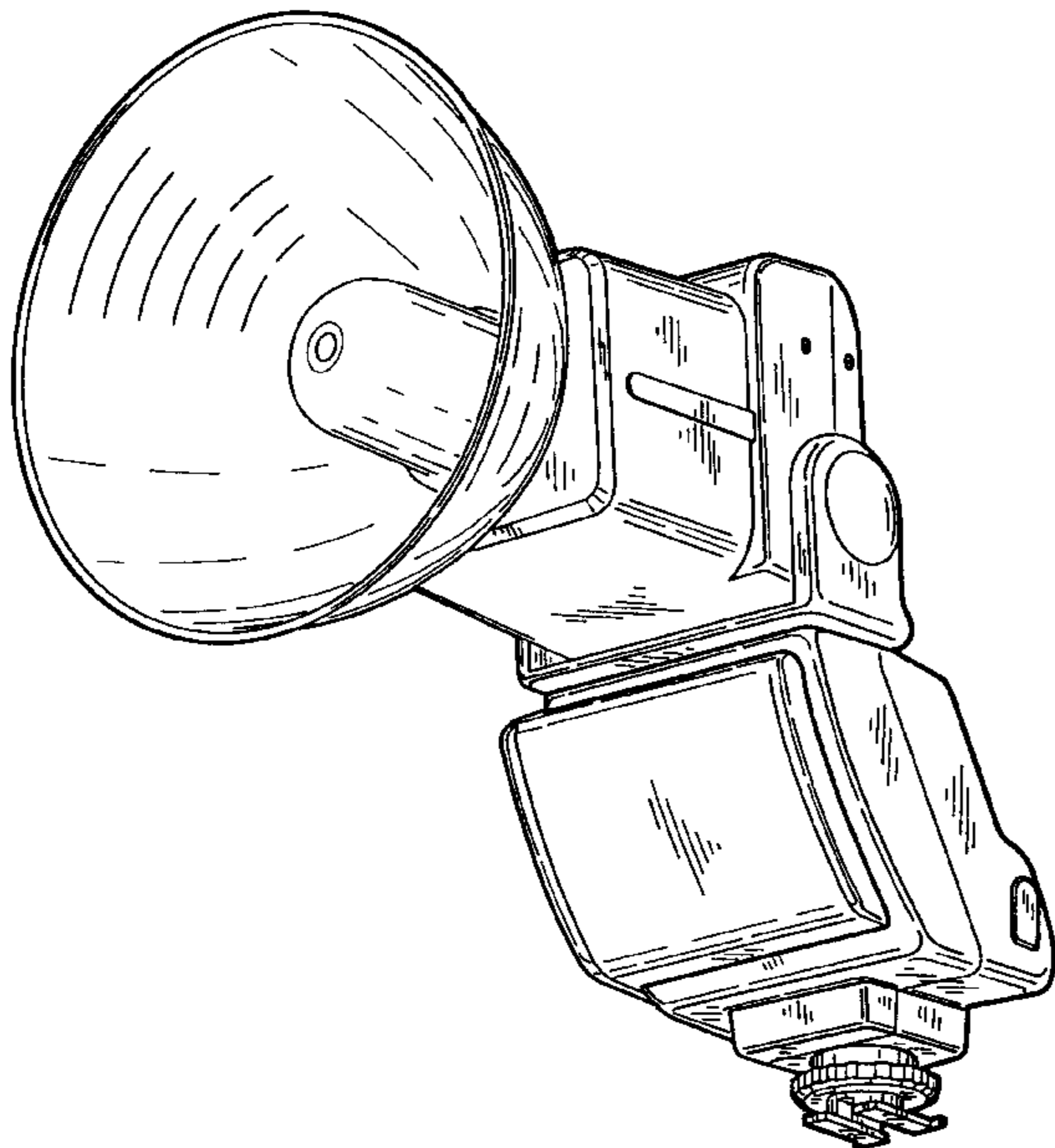
FIG. 1 is a front and right side perspective view of a flashgun for a camera showing my new design;

FIG. 2 is a rear and left side perspective view thereof;

FIG. 3 is a left side elevational view thereof; and,

FIG. 4 is a rear perspective view of the flashgun with the base unit and bulb holder in alternate positions.

1 Claim, 4 Drawing Sheets



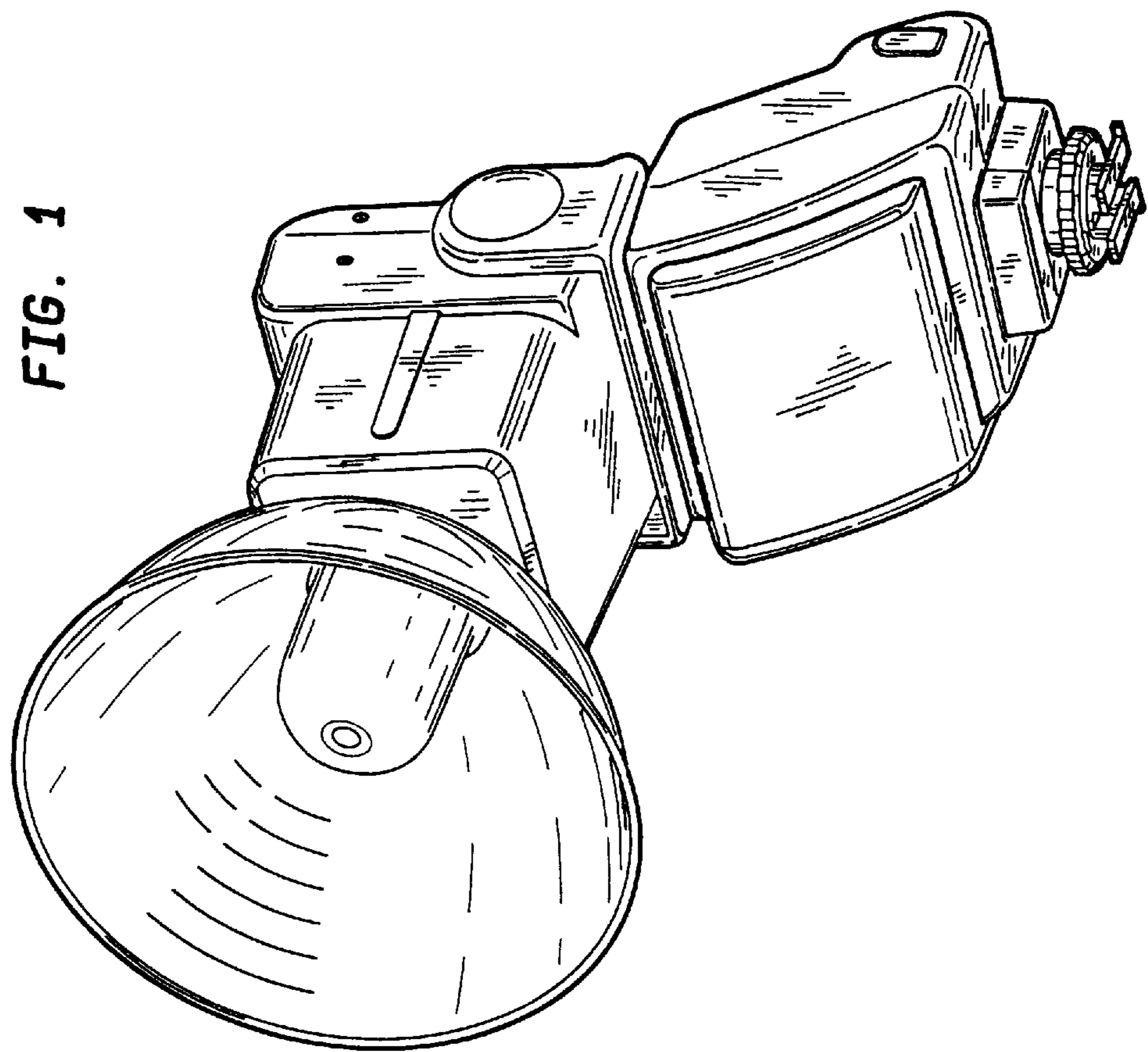


FIG. 1

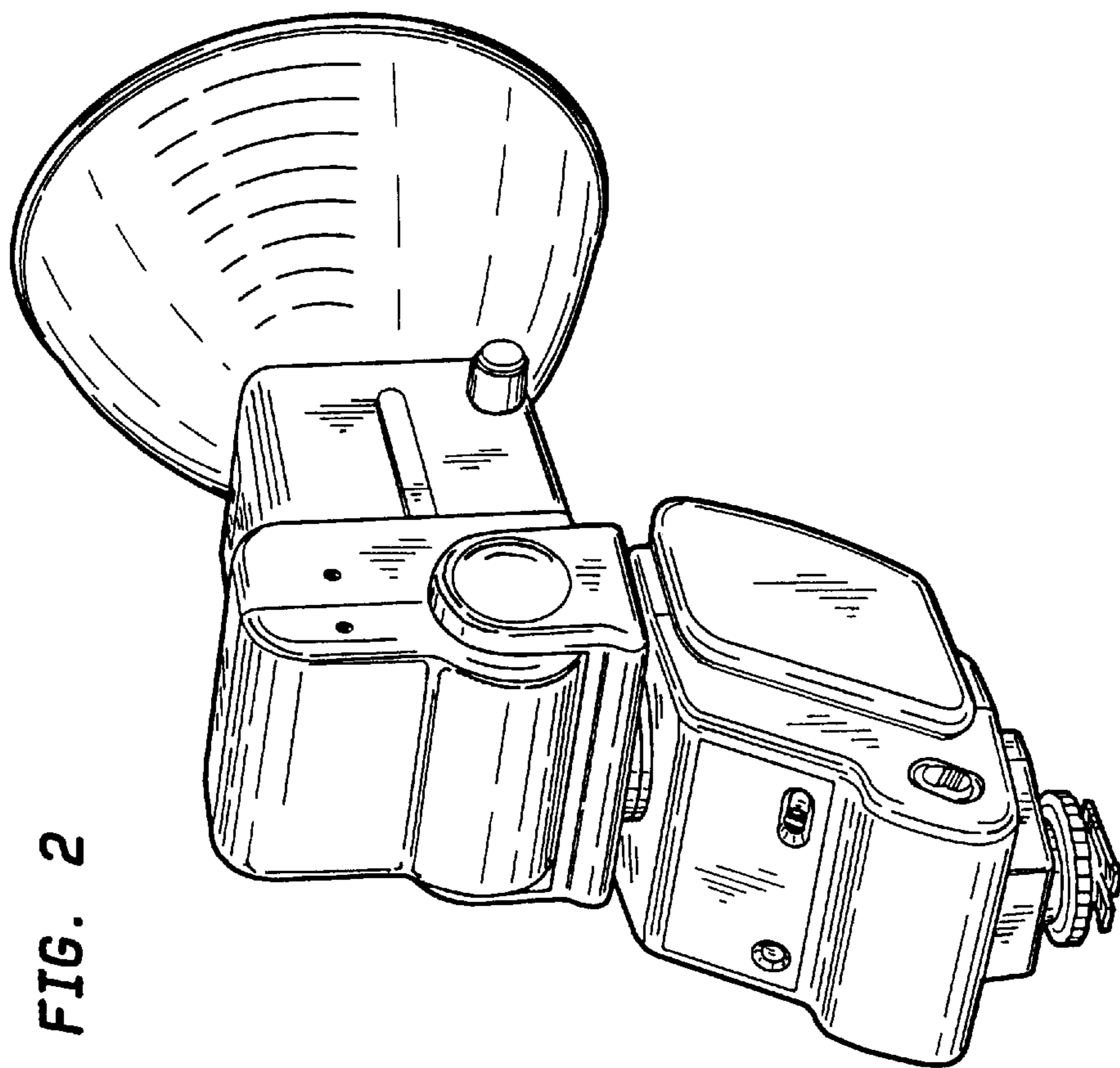


FIG. 2

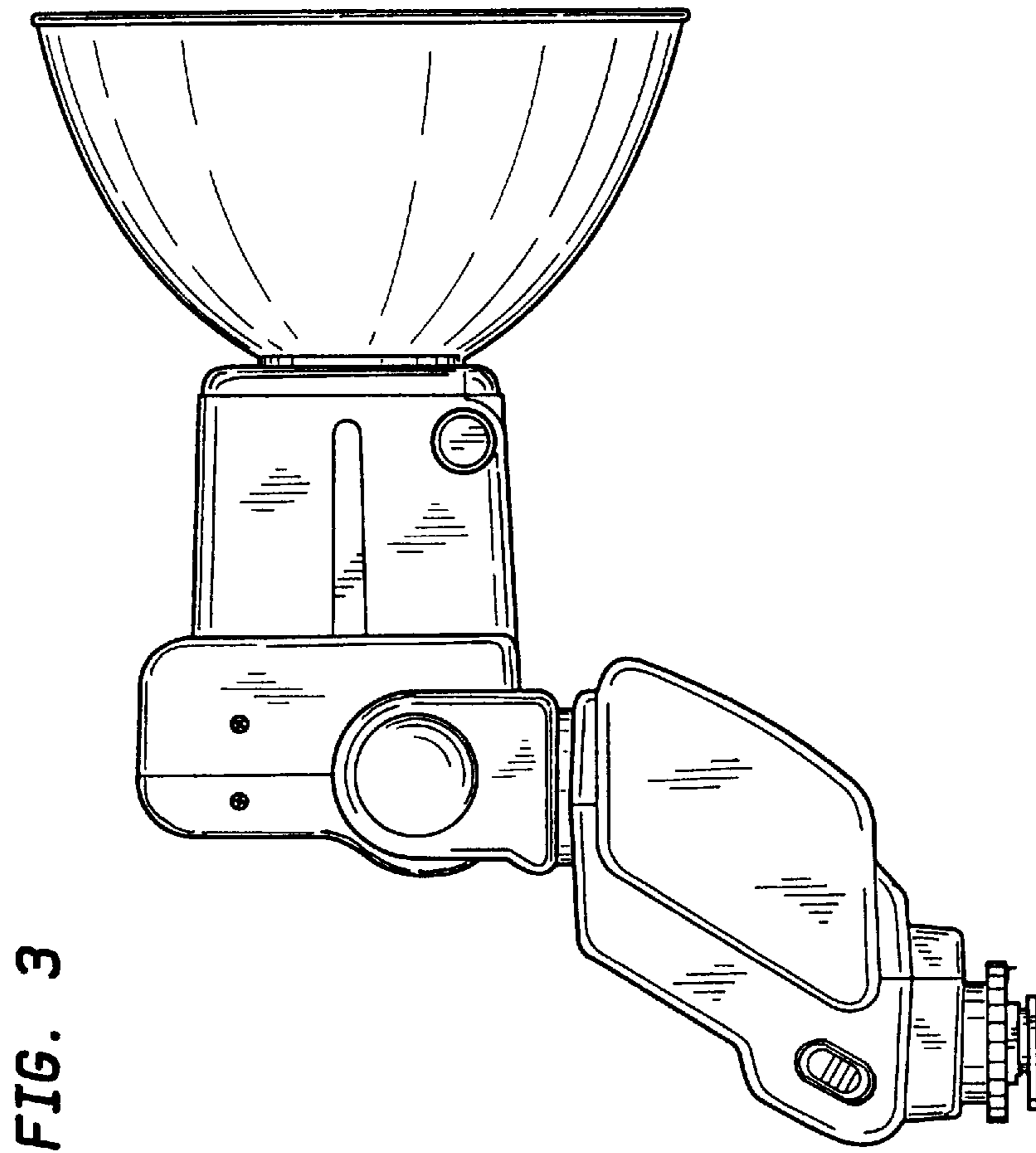


FIG. 3

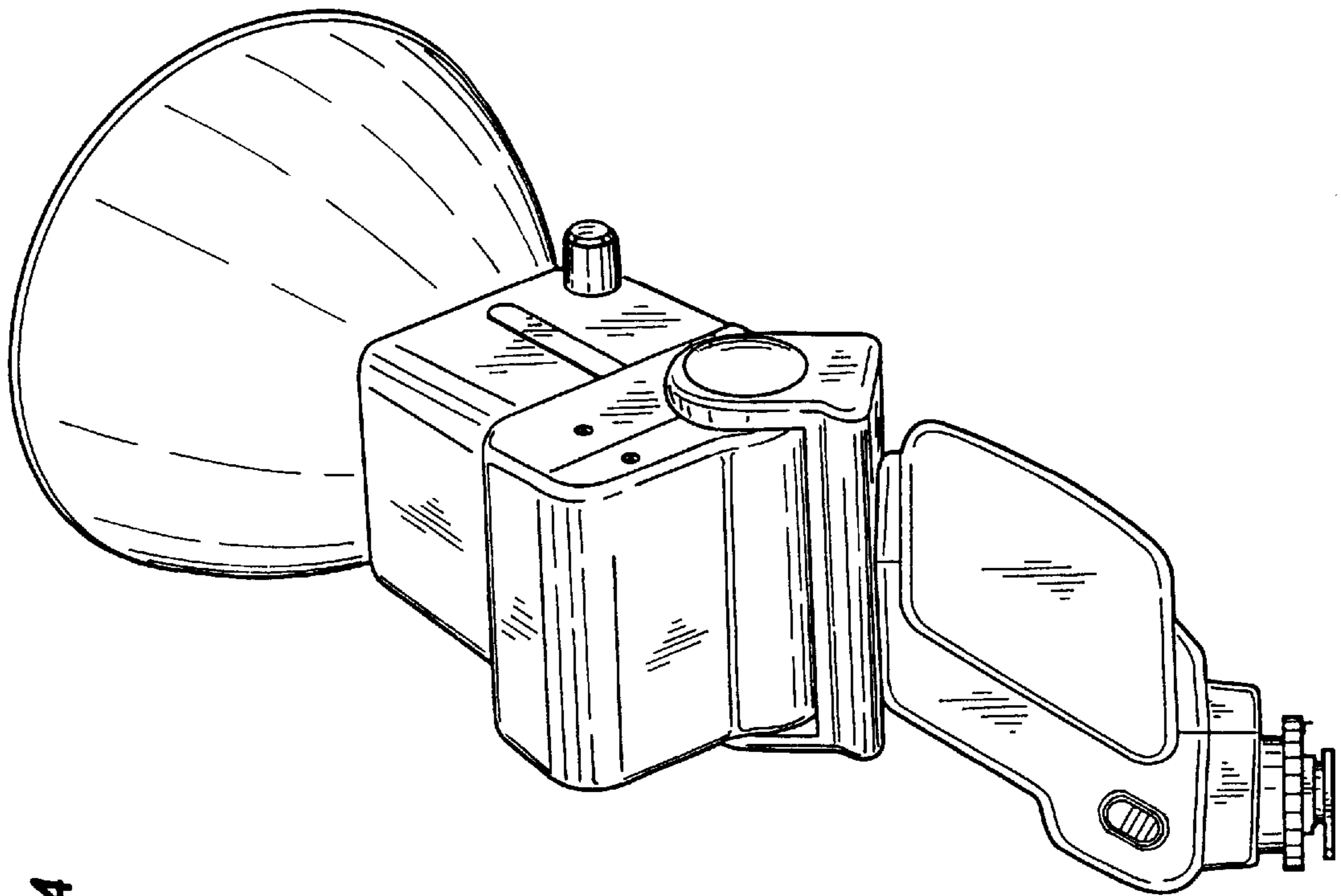


FIG. 4