



US00D400225S

United States Patent [19]

Reibl et al.

[11] Patent Number: **Des. 400,225**

[45] Date of Patent: ****Oct. 27, 1998**

[54] **CAMERA WITH A WATER RESISTANT HOUSING**

[75] Inventors: **Michael Reibl**, Boeblingen, Germany; **Steven S. Chapman**, Corfu; **James G. Rydelek**, Henrietta, both of N.Y.

[73] Assignee: **Eastman Kodak Company**, Rochester, N.Y.

[*] Notice: The term of this patent shall not extend beyond the expiration date of Pat. No. D. 394,869.

[**] Term: **14 Years**

[21] Appl. No.: **73,543**

[22] Filed: **Jul. 14, 1997**

[30] **Foreign Application Priority Data**

Jan. 22, 1997 [DE] Germany 9700724.2

[51] **LOC (6) Cl.** **16-01**

[52] **U.S. Cl.** **D16/204; D16/218**

[58] **Field of Search** D16/200-205, D16/208, 209, 216-218; 396/25-29, 535-543

[56] **References Cited**

U.S. PATENT DOCUMENTS

D. 191,237 8/1961 Hennig et al. D16/218

D. 320,610	10/1991	Chan	D16/218
D. 340,736	10/1993	Leung	D16/218
D. 348,076	6/1994	Chan	D16/218
D. 367,283	2/1996	Lyon et al.	D16/208
D. 373,130	8/1996	Jin	D16/218
5,285,894	2/1994	Kamata et al.	396/27
5,543,876	8/1996	Suzuki et al.	396/28

Primary Examiner—Sandra L. Morris
Assistant Examiner—Adir Aronovich
Attorney, Agent, or Firm—Roger A. Fields

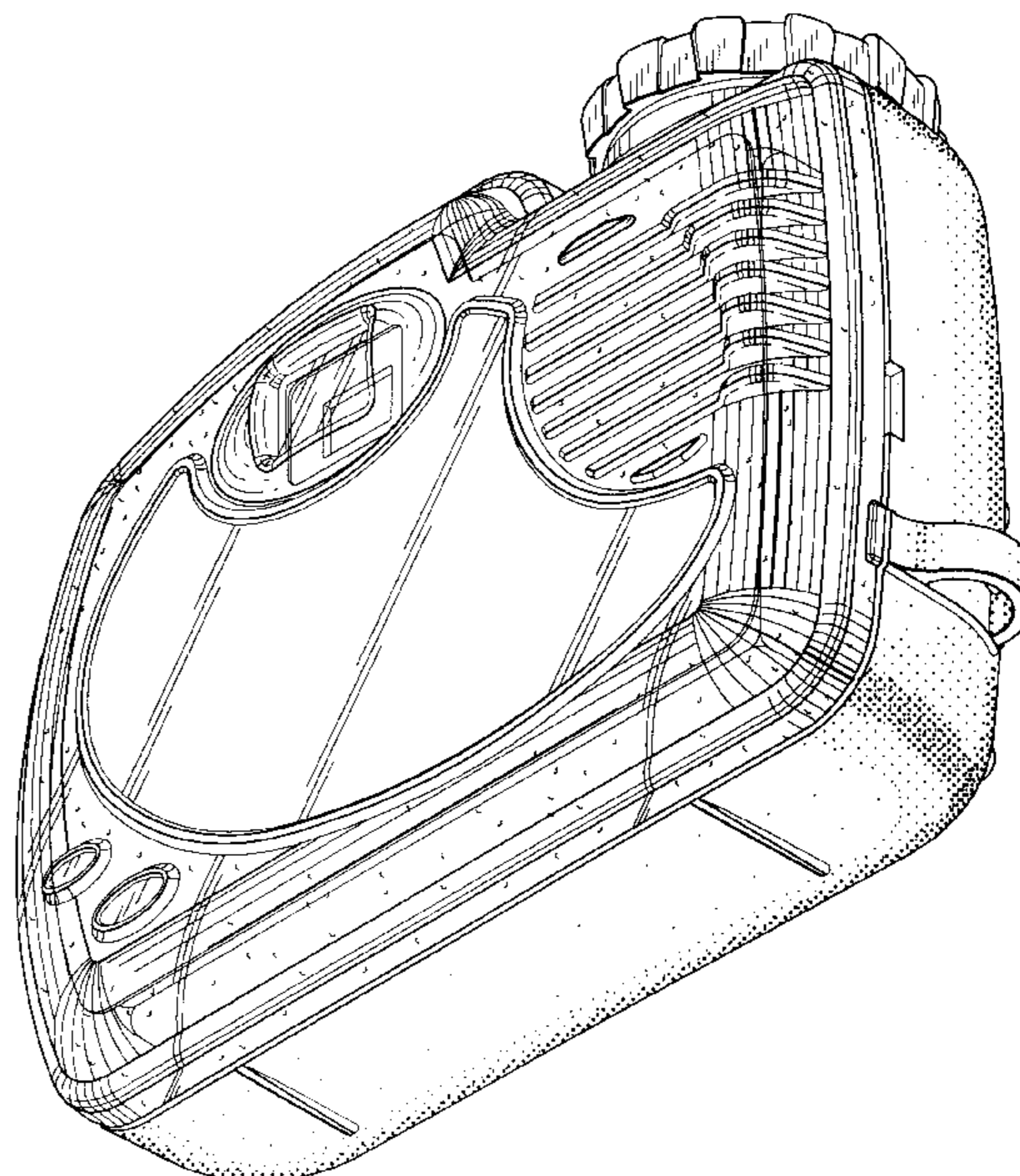
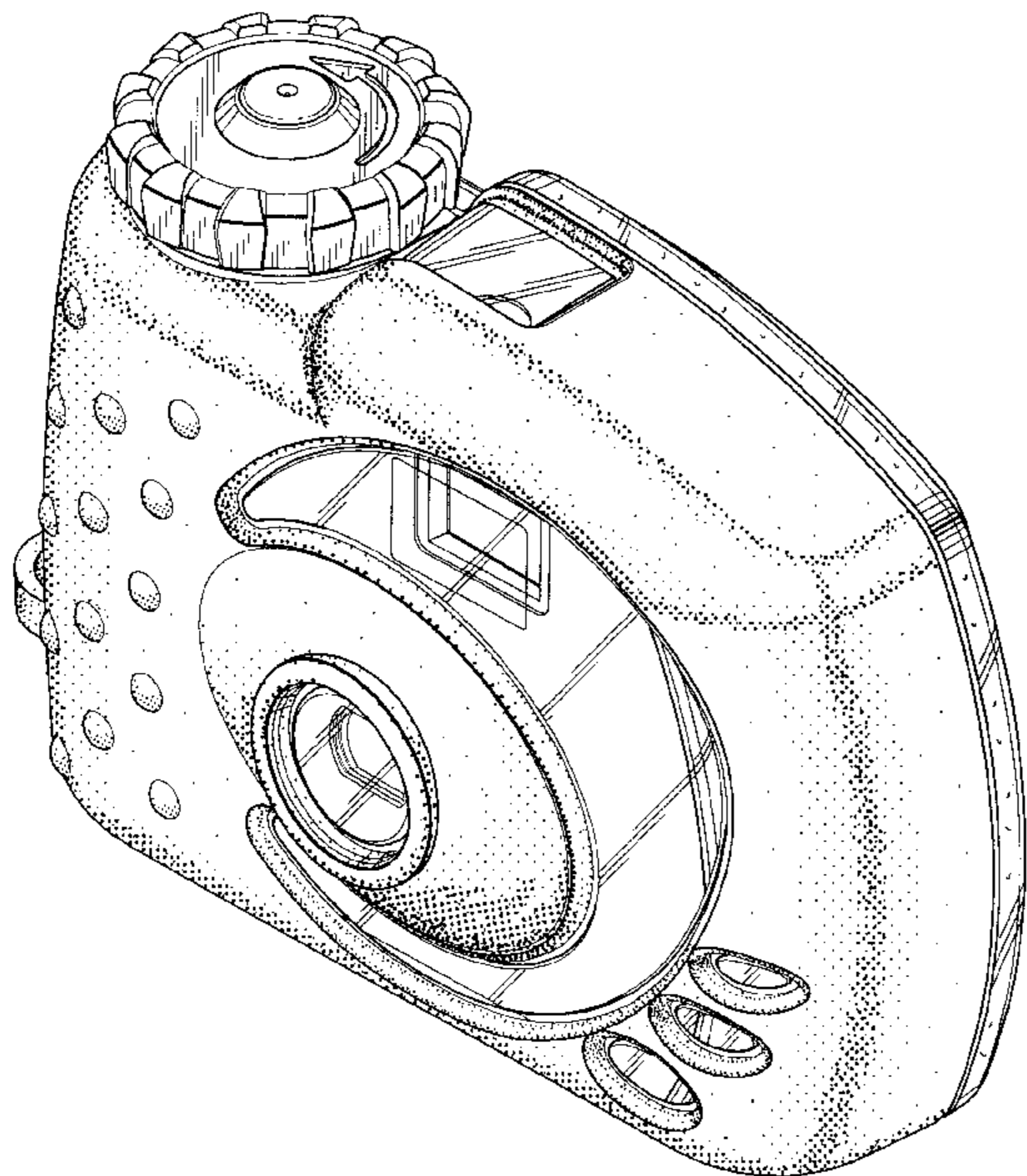
[57] **CLAIM**

The ornamental design for a camera with a water-resistant housing, as shown and described.

DESCRIPTION

FIG. 1 is a top, front, right perspective view of a camera with a water-resistant housing, showing our new design; FIG. 2 is a bottom, rear, left perspective view thereof; FIG. 3 is a front elevation view thereof; FIG. 4 is a rear elevation view thereof; FIG. 5 is a top plan view thereof; FIG. 6 is a bottom plan view thereof; FIG. 7 is a right elevation view; and, FIG. 8 is a left elevation view thereof.

1 Claim, 8 Drawing Sheets



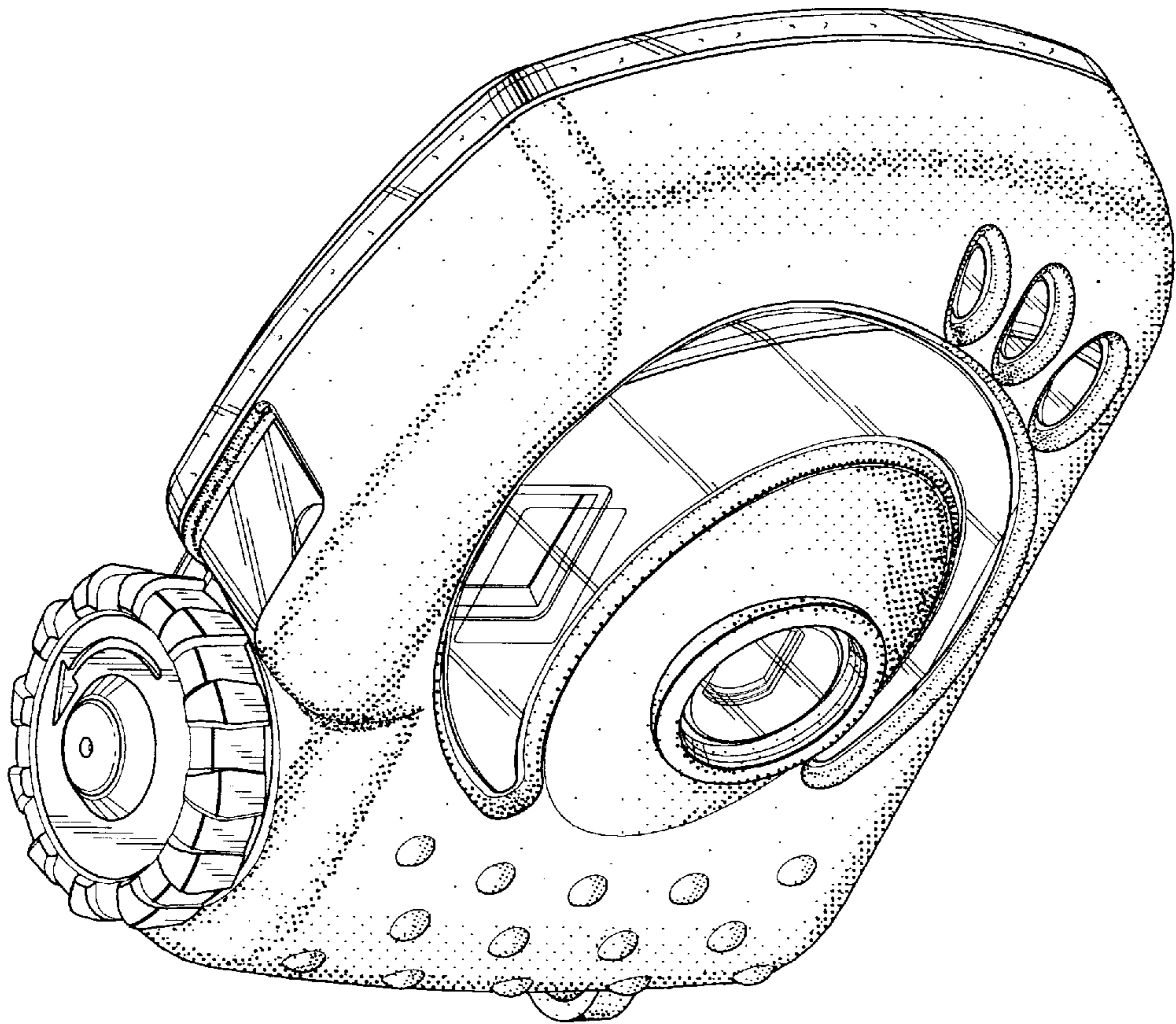


FIG. 1

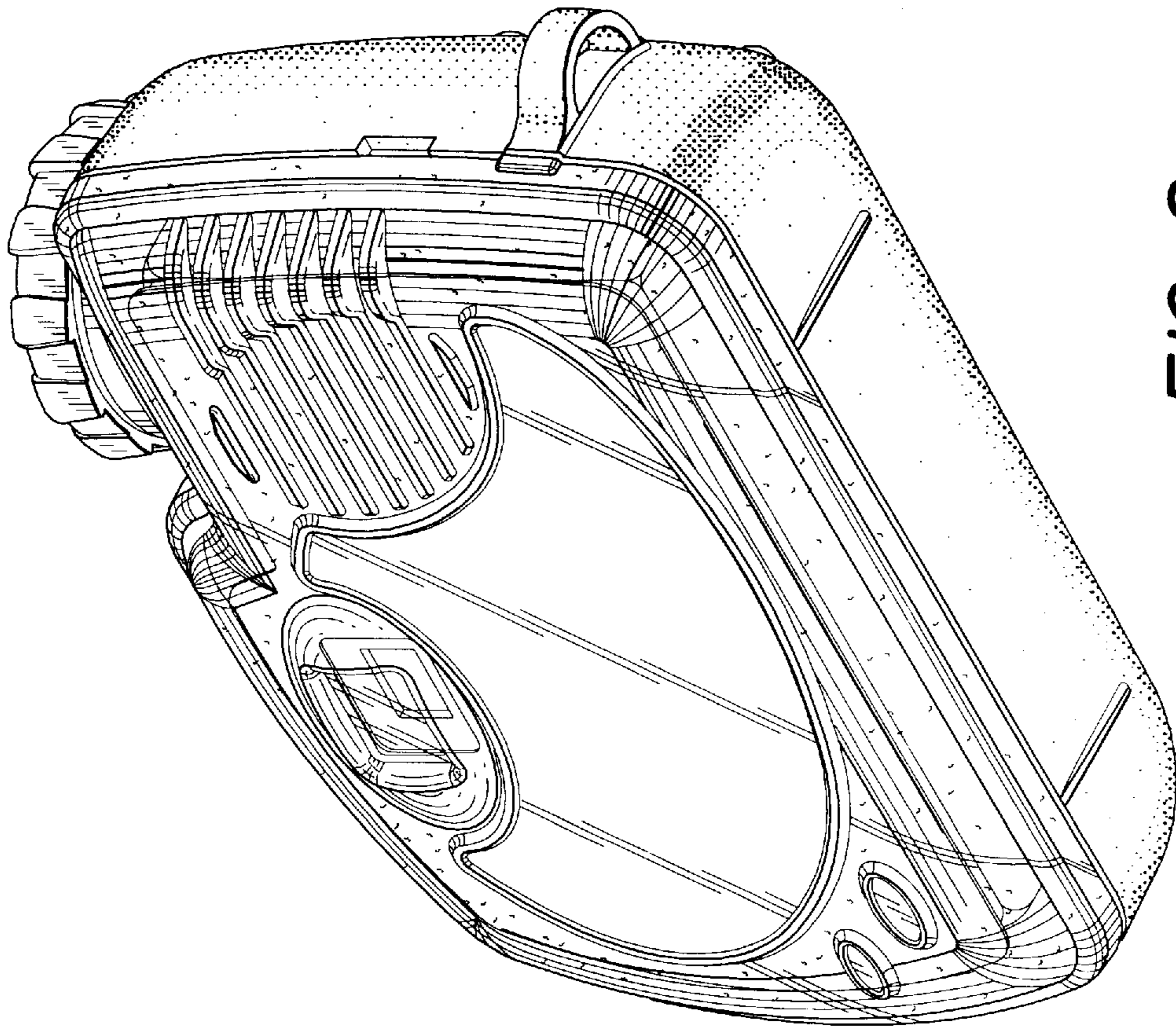


FIG. 2

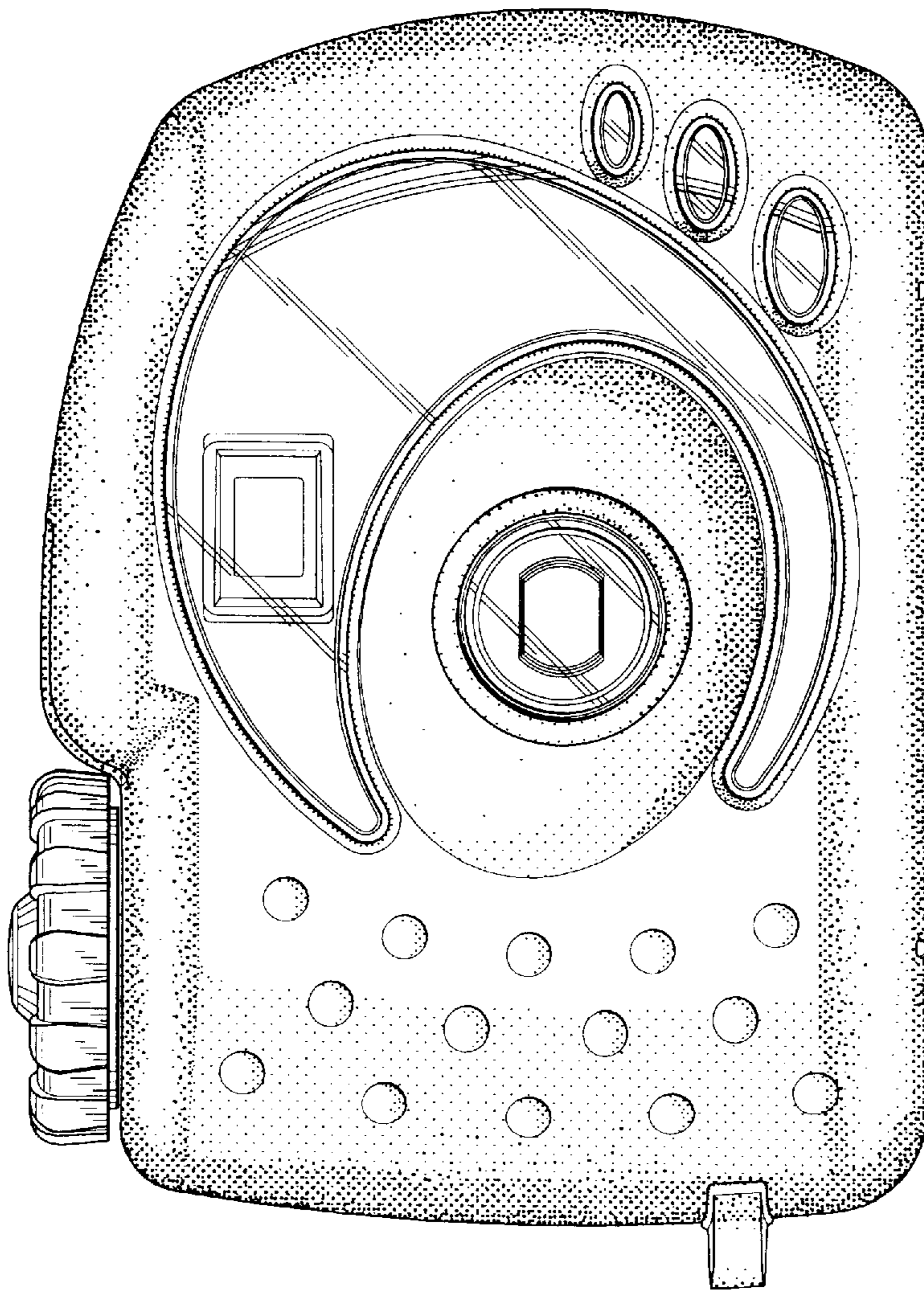


FIG. 3

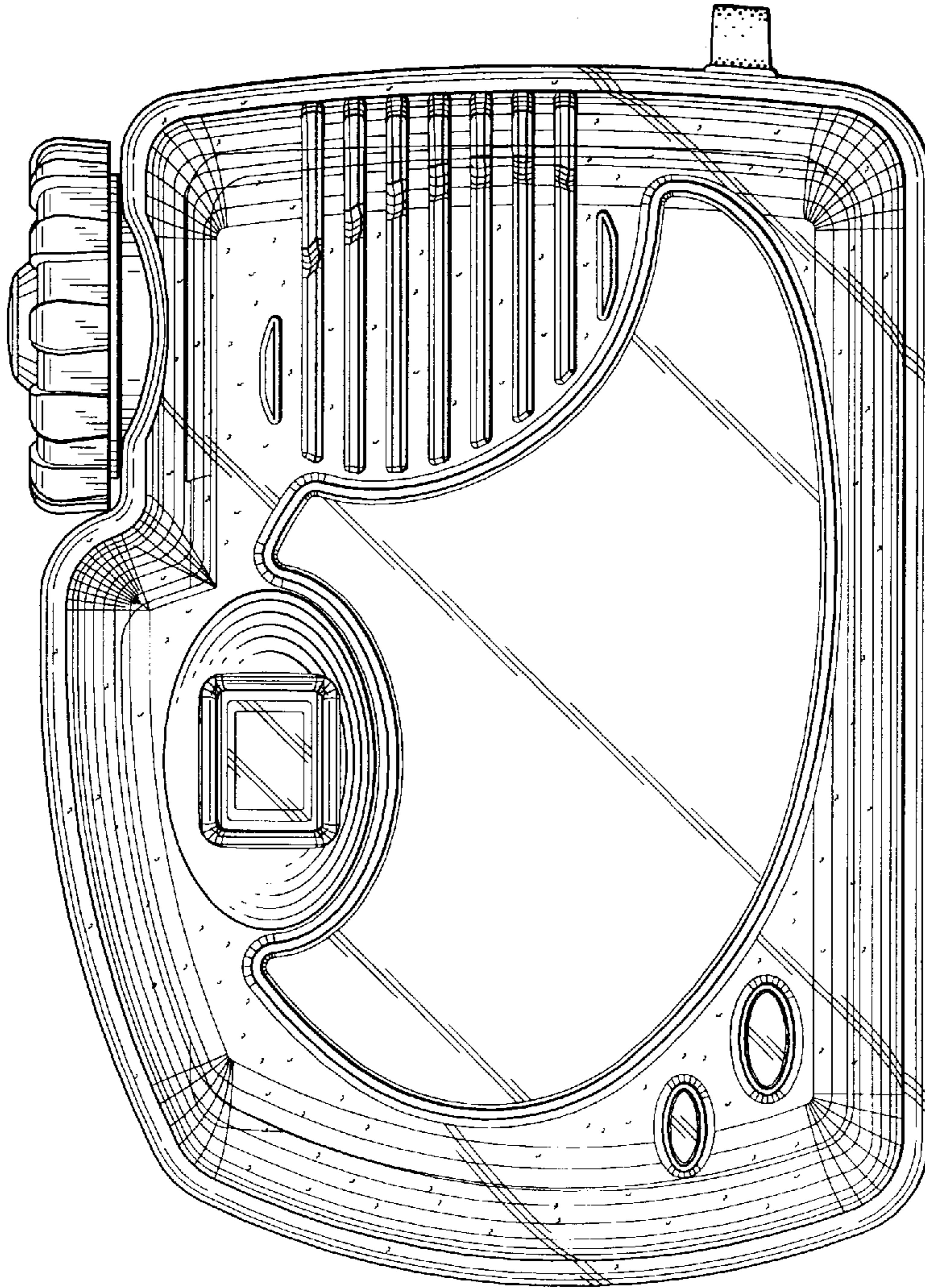


FIG. 4

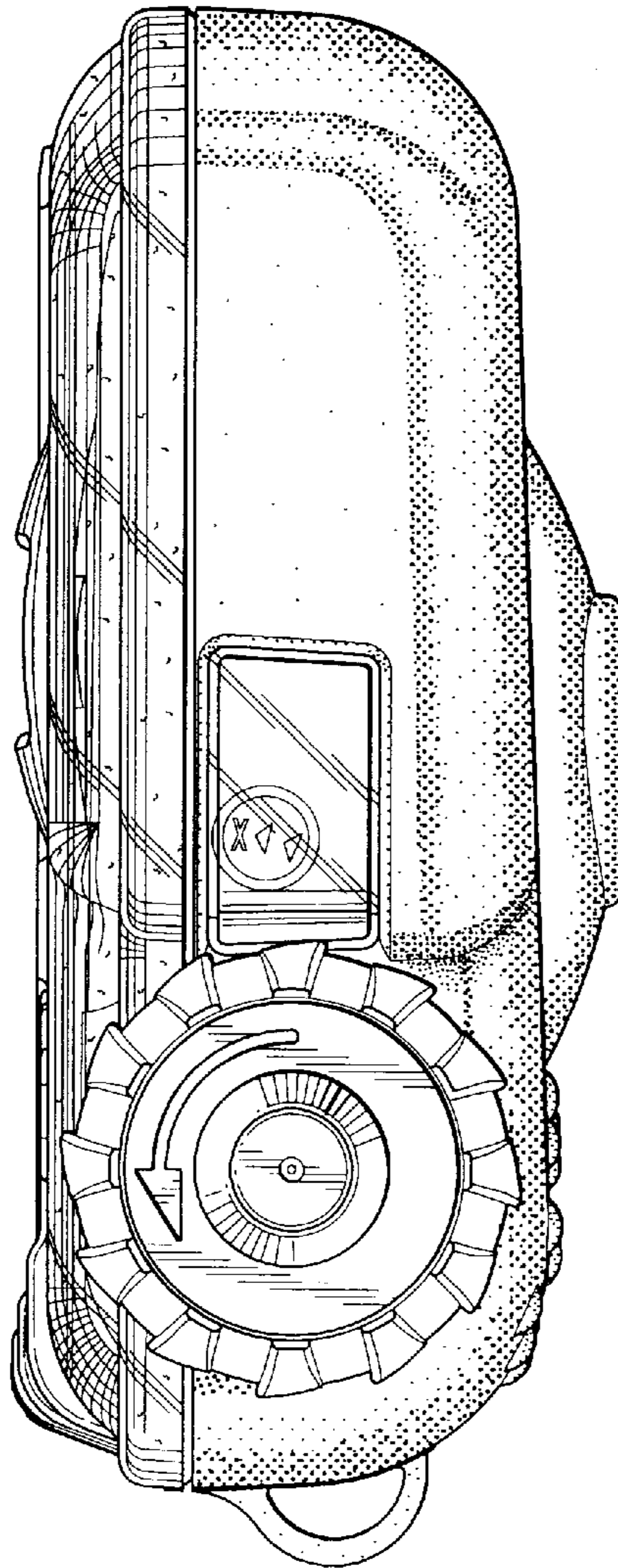


FIG. 5

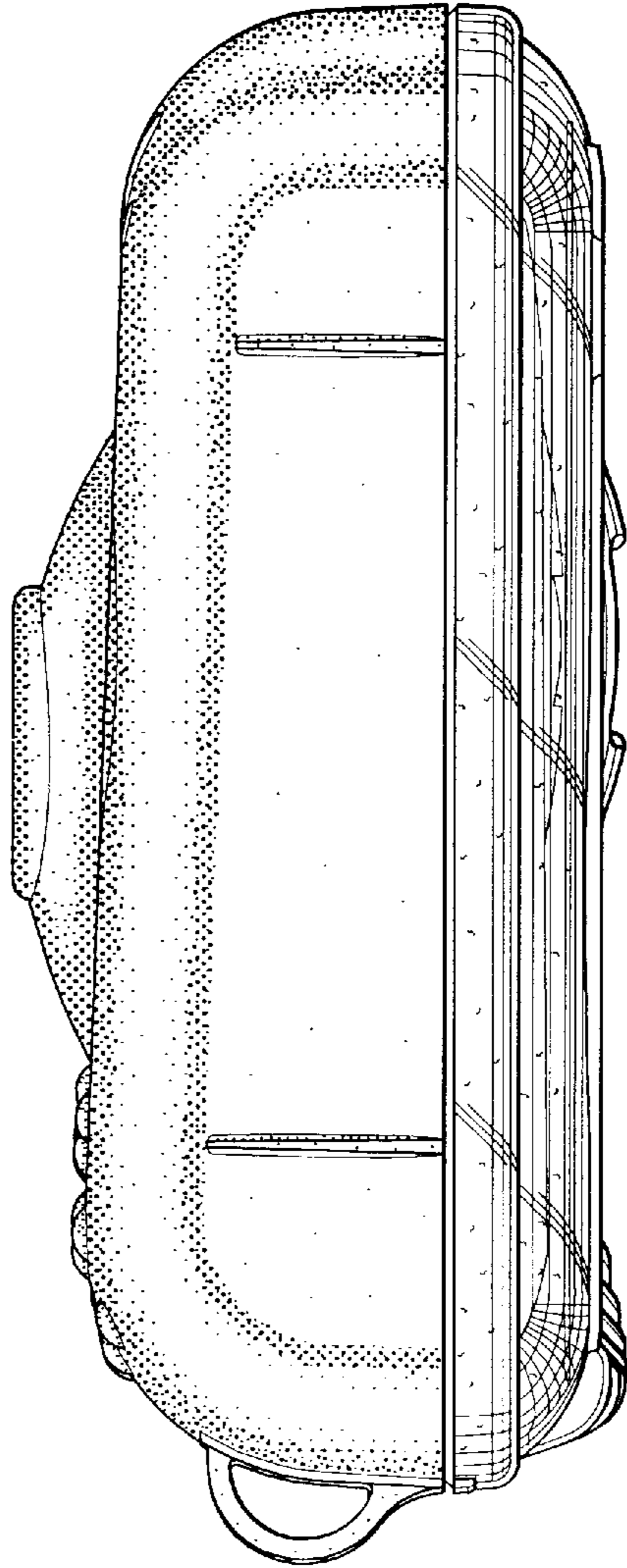


FIG. 6

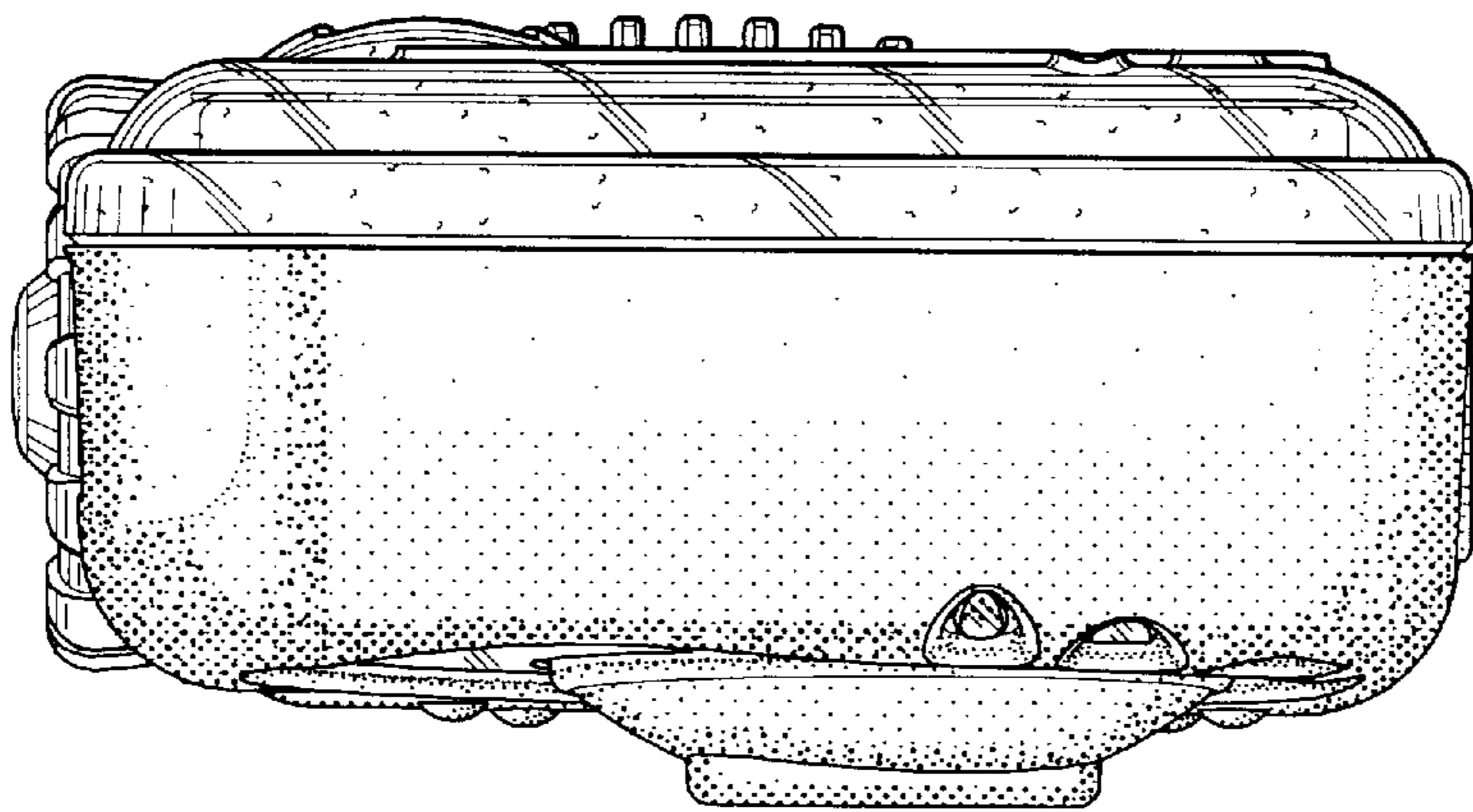


FIG. 7

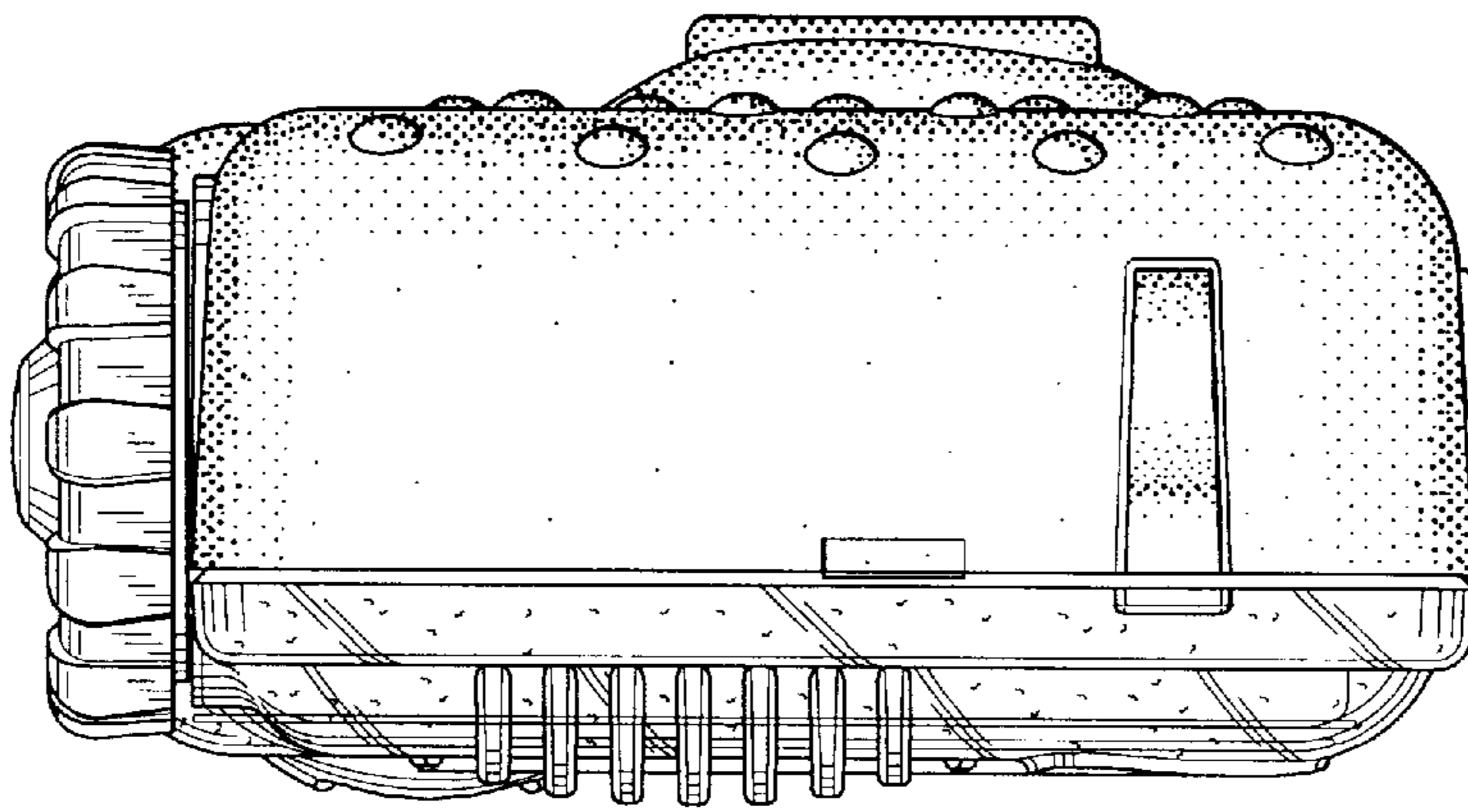


FIG. 8