



US00D400222S

United States Patent [19]
Chang

[11] **Patent Number: Des. 400,222**

[45] **Date of Patent: **Oct. 27, 1998**

[54] **DYEING MACHINE**

5,621,937 4/1997 Georgantas 68/178 X

[76] Inventor: **Chi-Lung Chang**, P.O. Box 82-144,
Taipei, Taiwan

Primary Examiner—Antoine Duval Davis
Attorney, Agent, or Firm—A & J

[**] Term: **14 Years**

[57] **CLAIM**

[21] Appl. No.: **74,892**

The ornamental design for a dyeing machine, as shown and described.

[22] Filed: **Aug. 4, 1997**

DESCRIPTION

[51] **LOC (6) Cl.** **15-99**

[52] **U.S. Cl.** **D15/199**

[58] **Field of Search** D15/199; 68/178,
68/177, 176, 175, 171, 189, 205 R; 118/314,
704

FIG. 1 is a perspective view of a dyeing machine showing my new design;

FIG. 2 is a front view thereof;

FIG. 3 is a rear view thereof;

FIG. 4 is a left side elevational view thereof;

FIG. 5 is a right side elevational view thereof;

FIG. 6 is a top plan view thereof; and,

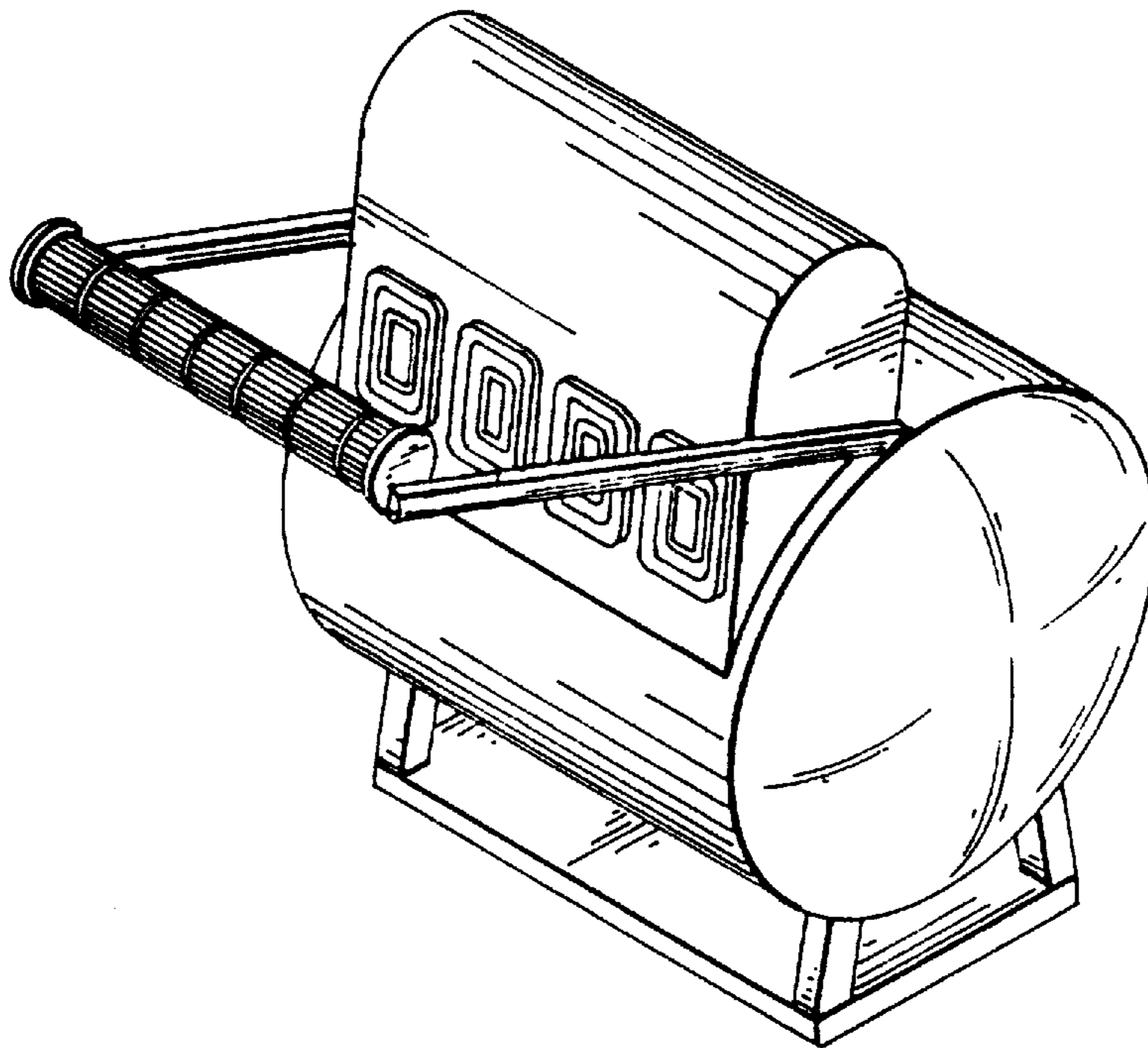
FIG. 7 is a bottom plan view thereof.

[56] **References Cited**

U.S. PATENT DOCUMENTS

5,129,242 7/1992 Sturkey et al. 68/178
5,239,719 8/1993 Ware 68/178 X

1 Claim, 4 Drawing Sheets



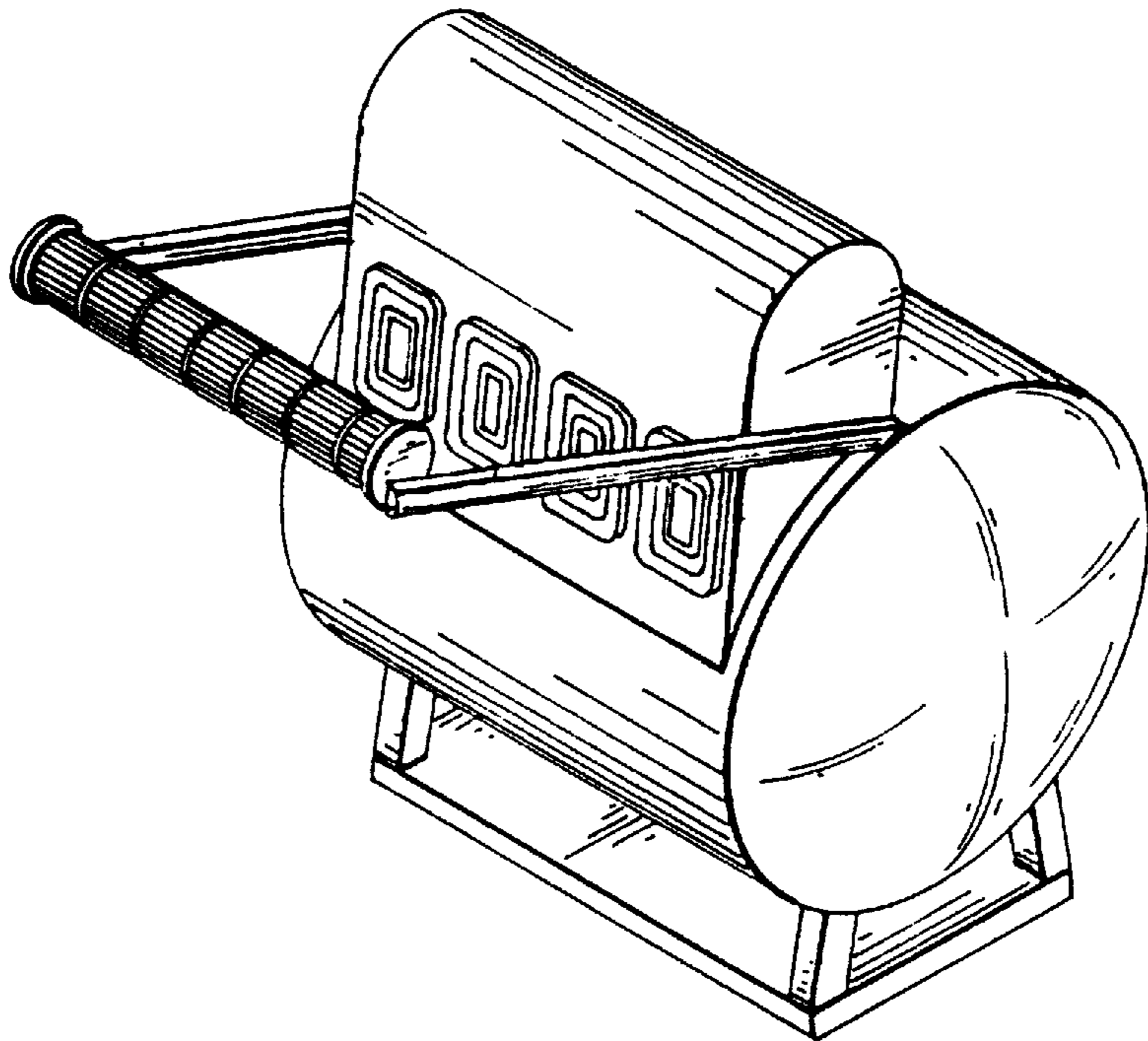


FIG. 1

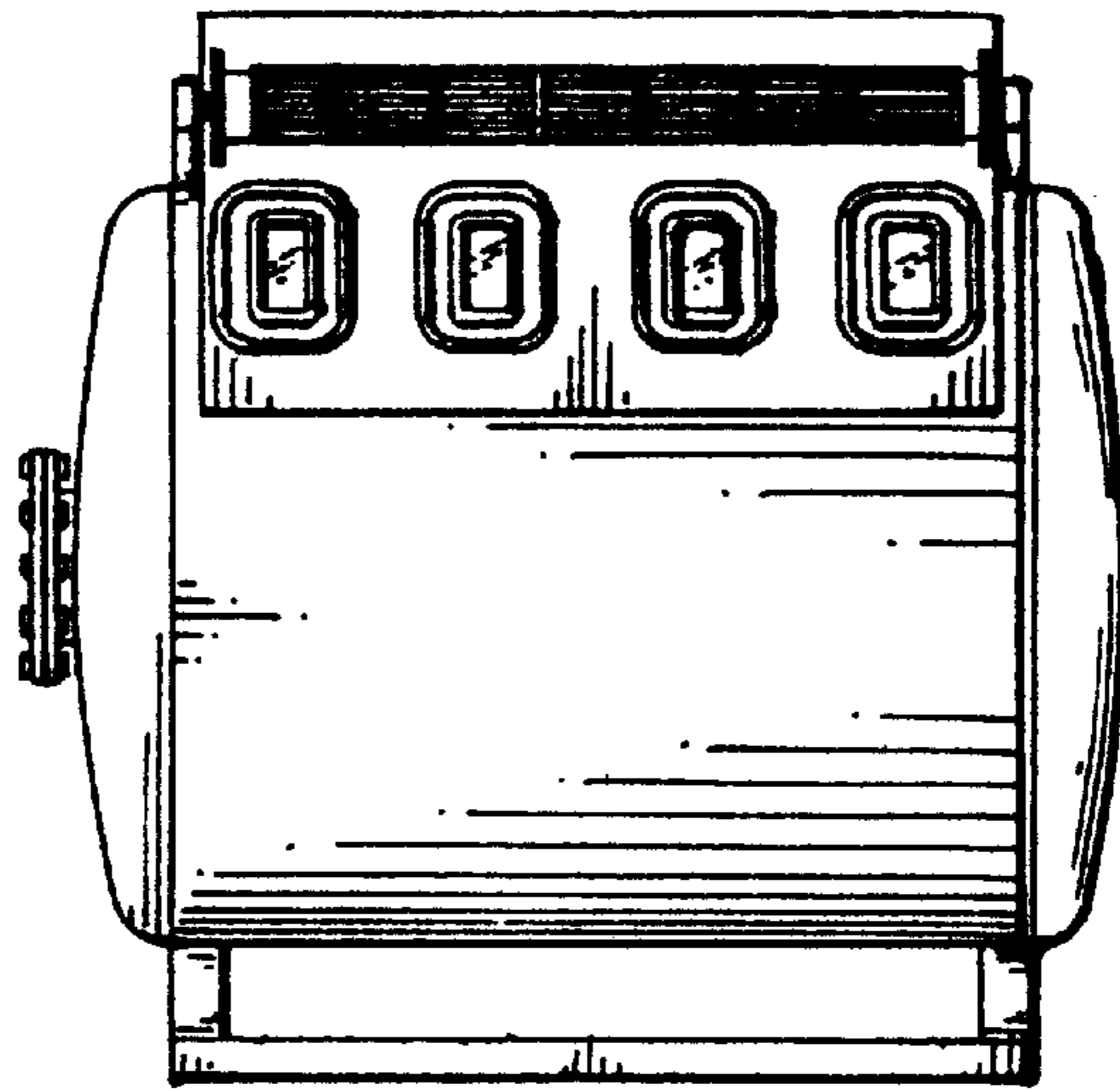


FIG. 2

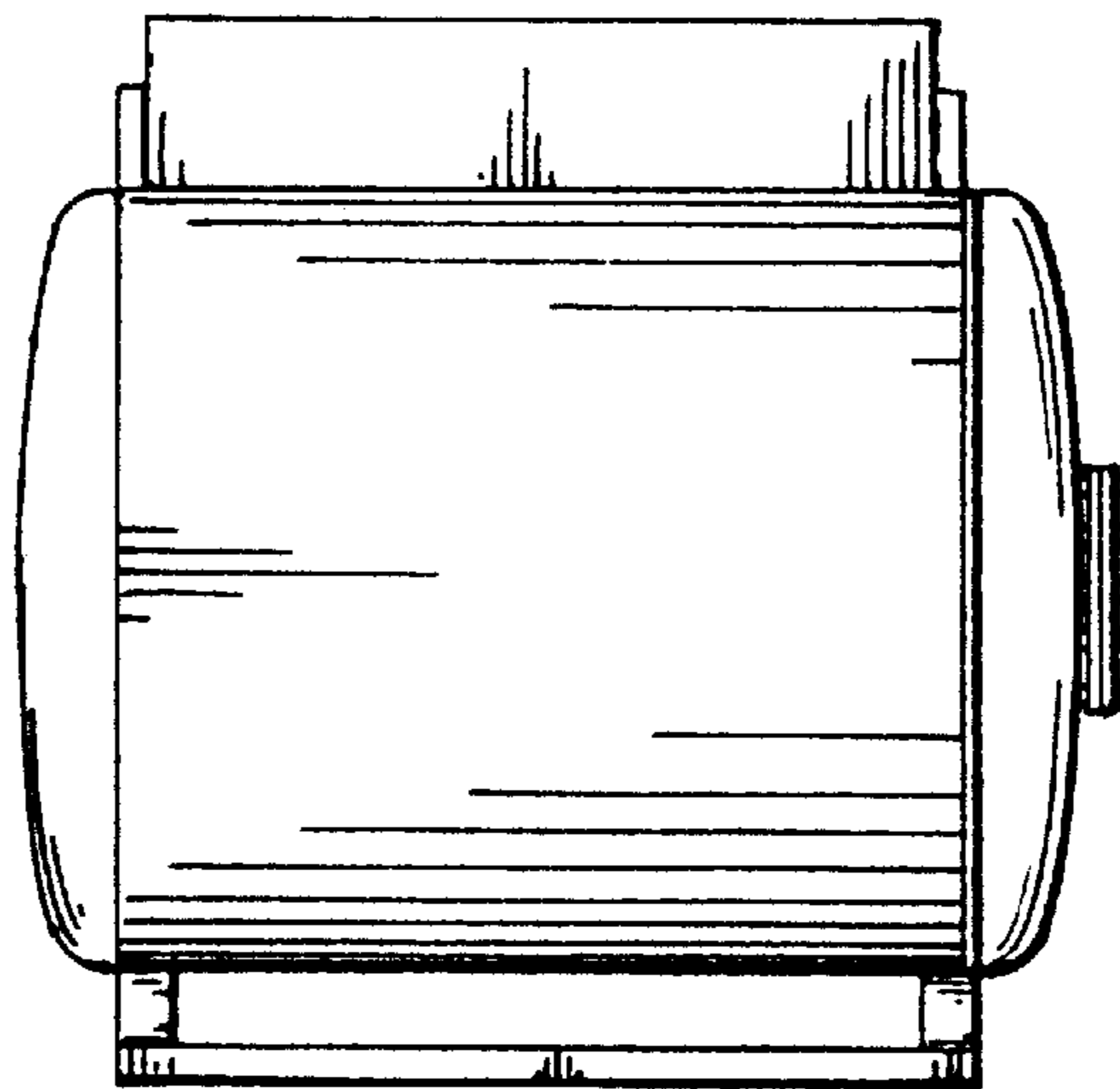


FIG. 3

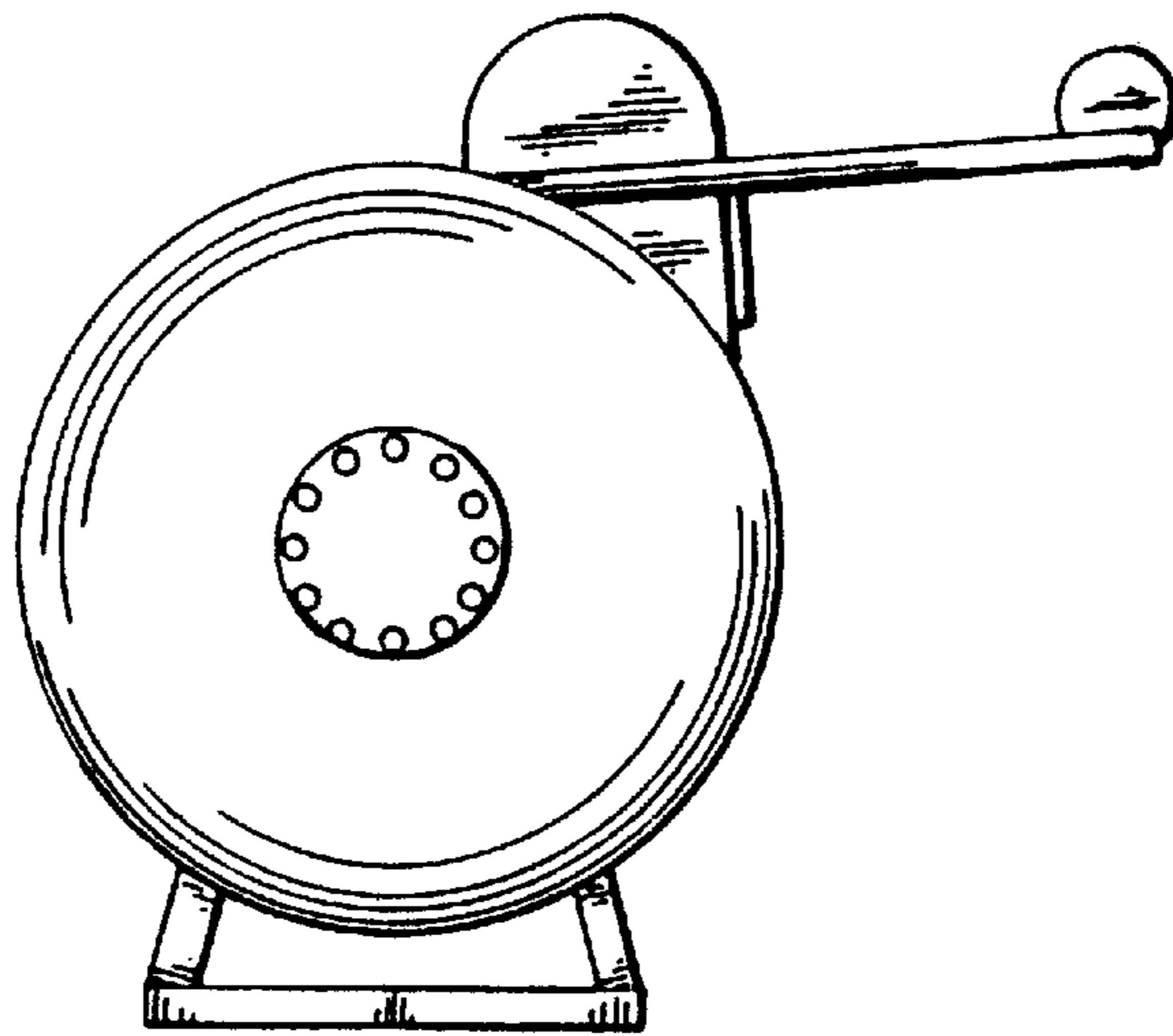


FIG. 4

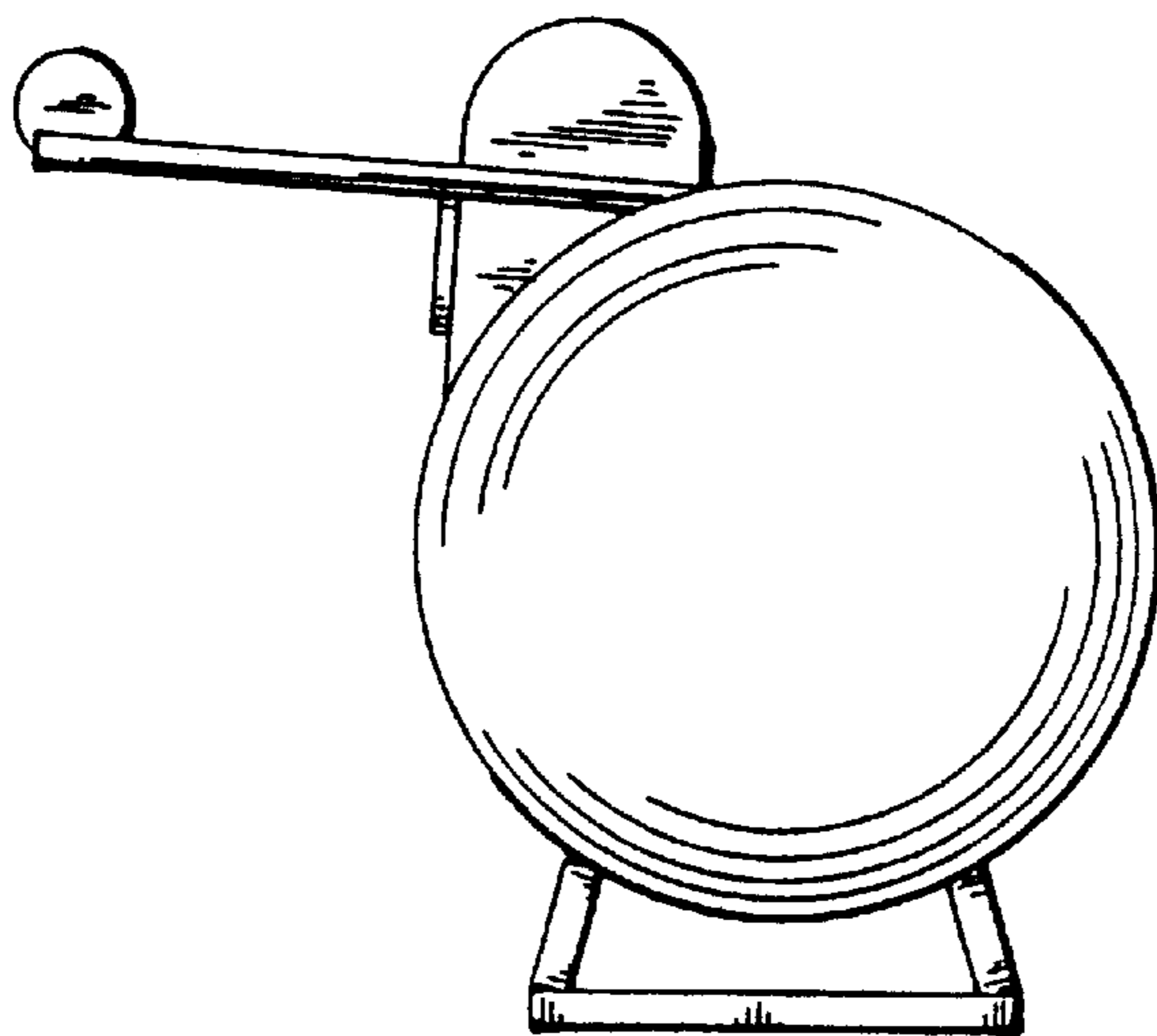


FIG. 5

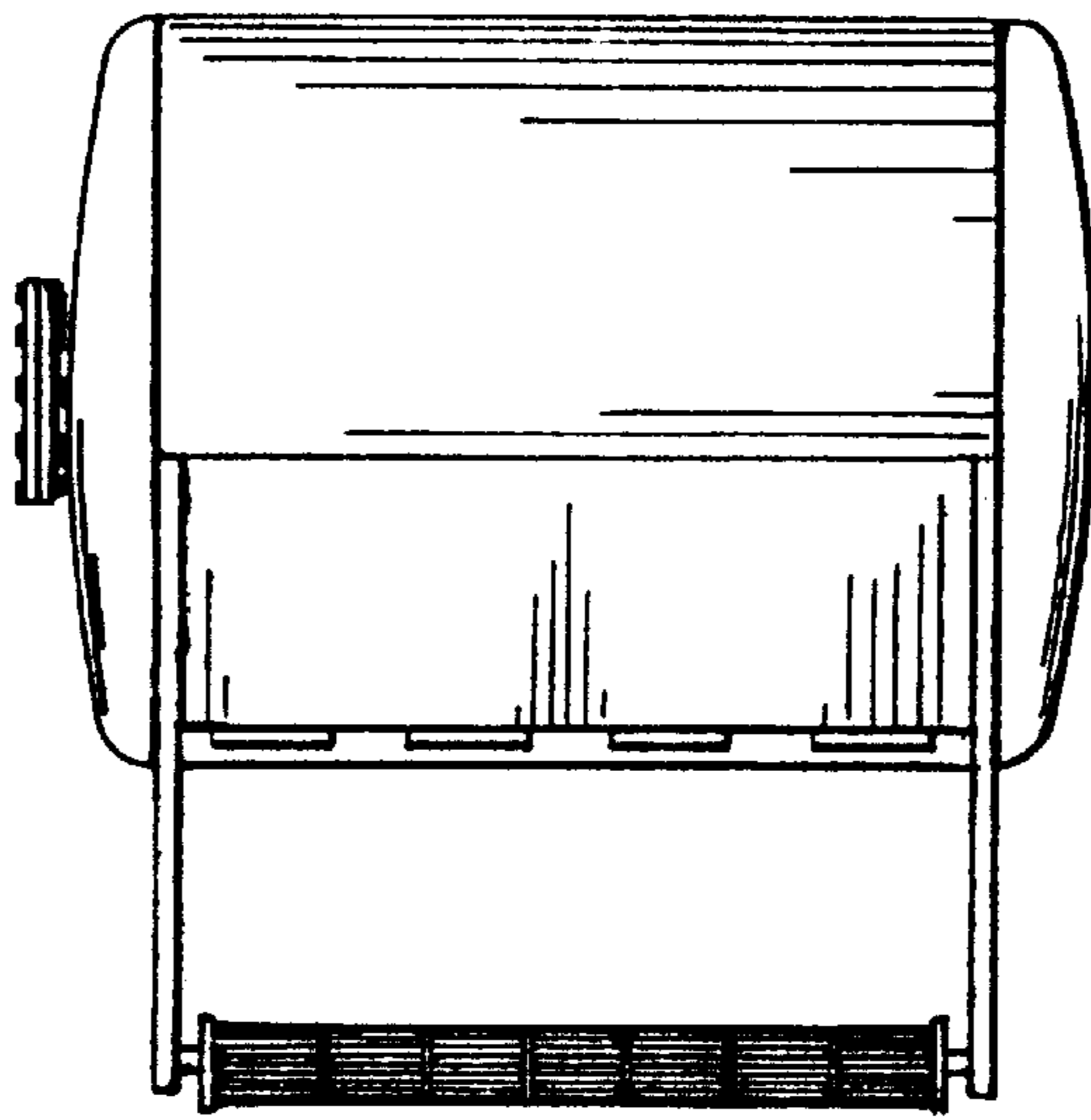


FIG. 6

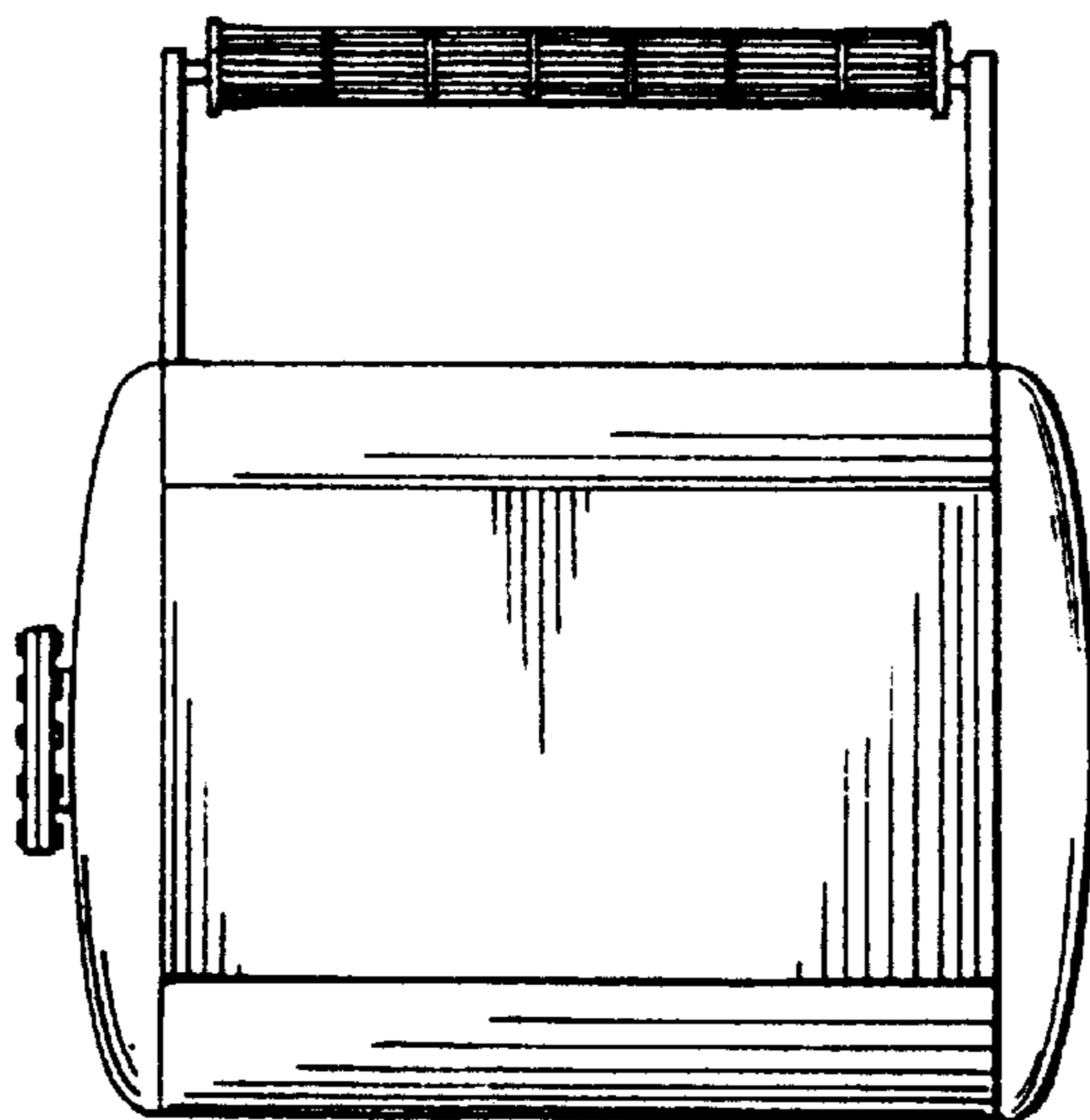


FIG. 7