



US00D400220S

# United States Patent [19]

Nemoto et al.

[11] **Patent Number: Des. 400,220**

[45] **Date of Patent: \*\*Oct. 27, 1998**

[54] **POSITIONING DEVICE FOR AN ACTUATOR**

[75] Inventors: **Kazuo Nemoto; Tooru Nakamichi,**  
both of Ibaraki-ken, Japan

[73] Assignee: **SMC Kabushiki Kaisha,** Tokyo, Japan

[\*\*] Term: **14 Years**

[21] Appl. No.: **77,690**

[22] Filed: **Oct. 9, 1997**

[30] **Foreign Application Priority Data**

Apr. 18, 1997 [JP] Japan ..... 9-51800

[51] **LOC (6) Cl.** ..... **15-09**

[52] **U.S. Cl.** ..... **D15/148**

[58] **Field of Search** ..... D15/148, 199;  
74/89, 89.5, 640, 625, 10.45, 89.15, 665 D,  
96, 99 R, 105; 192/143

[56] **References Cited**

**U.S. PATENT DOCUMENTS**

5,524,499 6/1996 Joffe ..... 74/89.15

*Primary Examiner*—Antoine Duval Davis  
*Attorney, Agent, or Firm*—Oblon, Spivak, McClelland,  
Maier & Neustadt, P.C.

[57] **CLAIM**

The ornamental design for a positioning device for an actuator, as shown.

**DESCRIPTION**

FIG. 1 is a perspective view of positioning device for an actuator, showing our new design;

FIG. 2 is a front view thereof;

FIG. 3 is a top plan view thereof;

FIG. 4 is a bottom plan view thereof;

FIG. 5 is a rear view thereof;

FIG. 6 is a left side view thereof; and,

FIG. 7 is a right side view thereof.

**1 Claim, 3 Drawing Sheets**

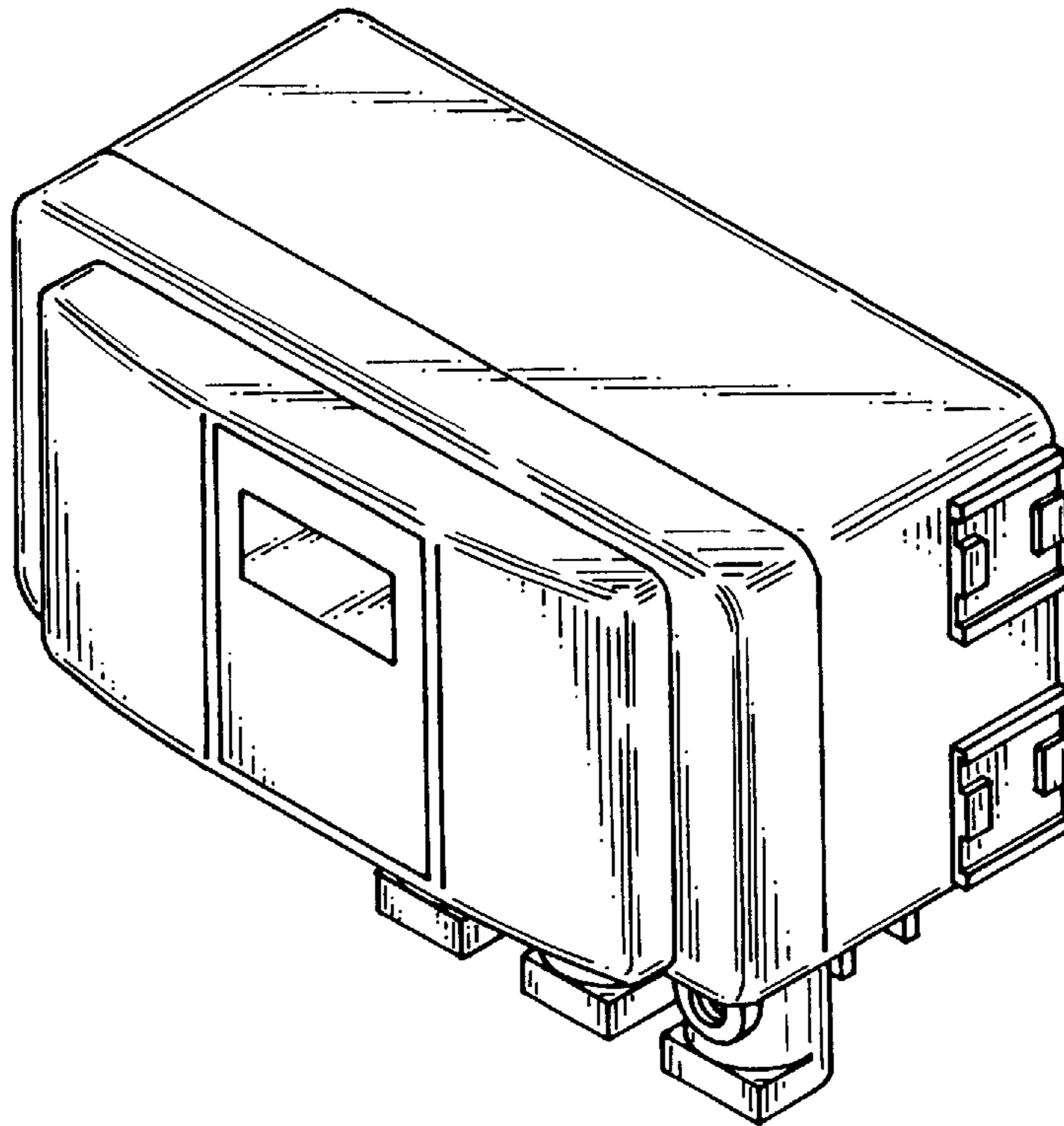


FIG. 1

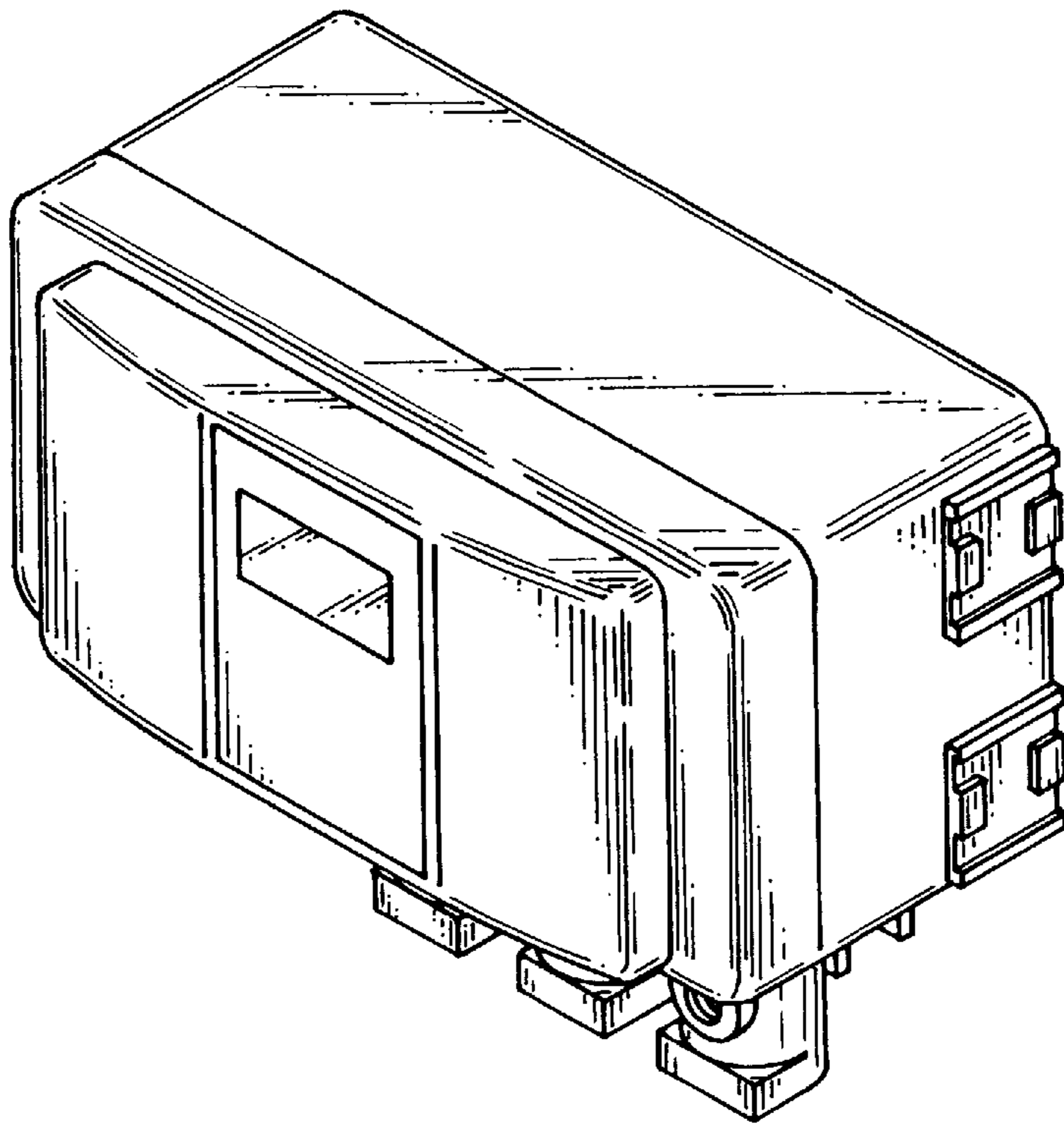


FIG. 2

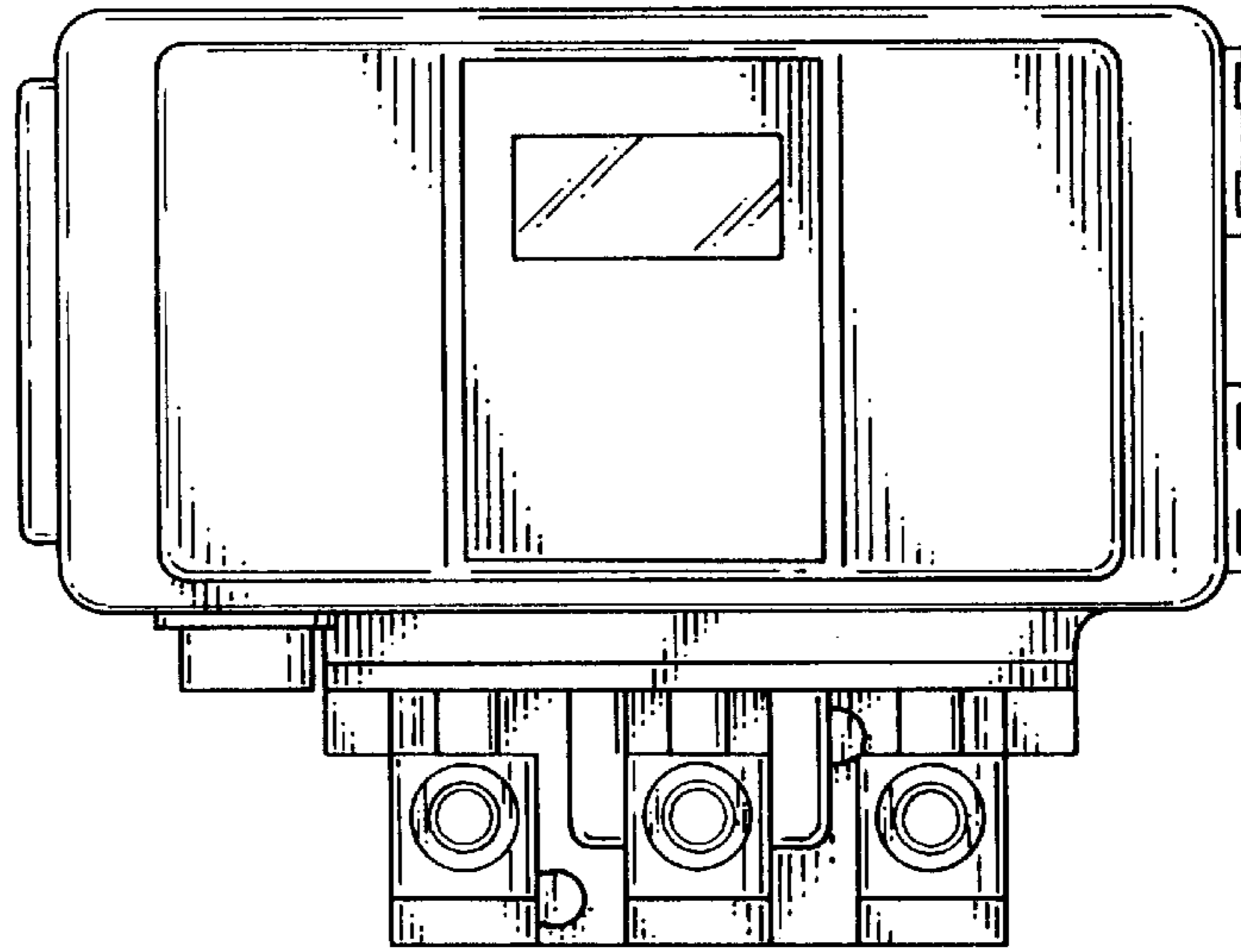


FIG. 3

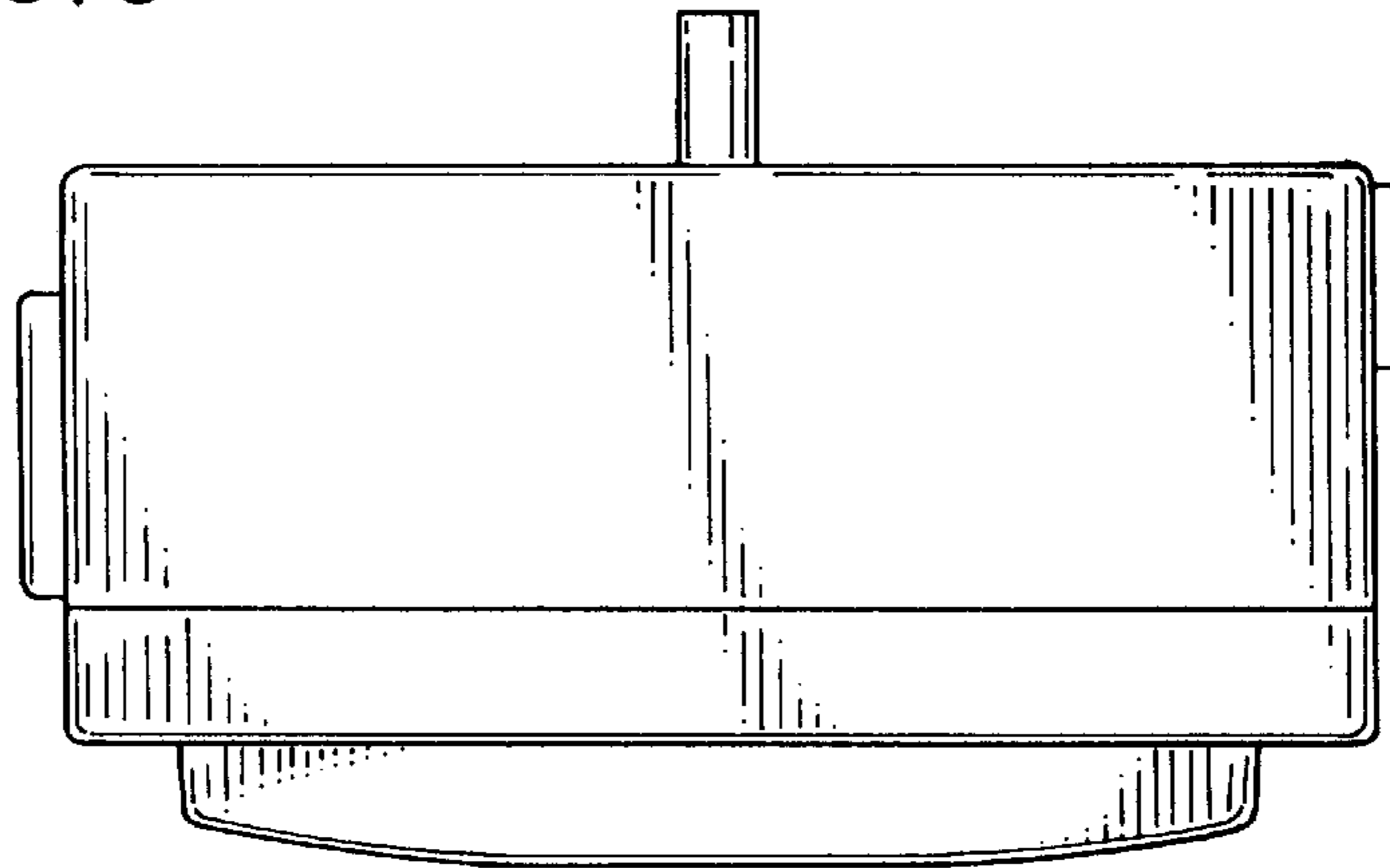


FIG. 4

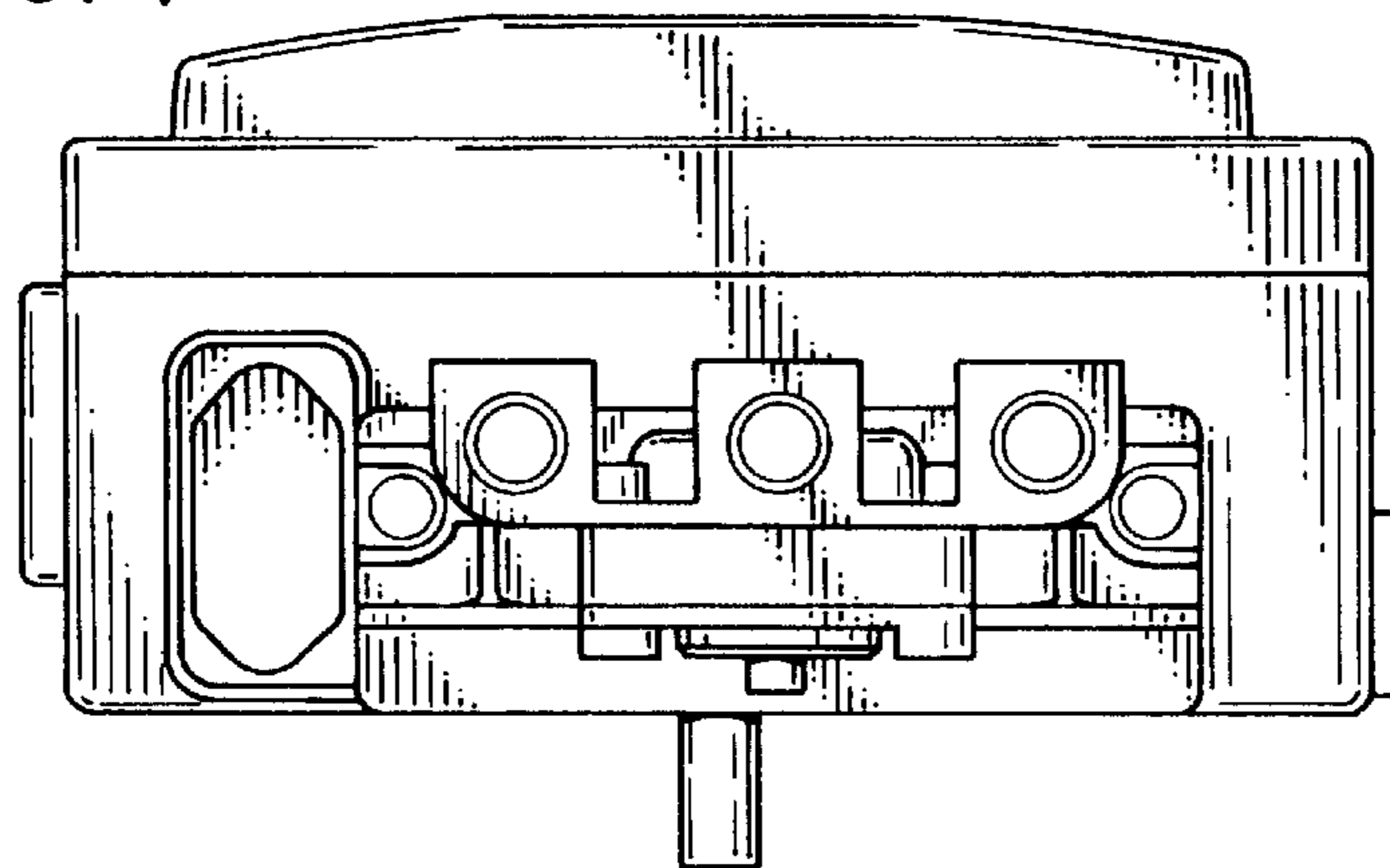


FIG. 5

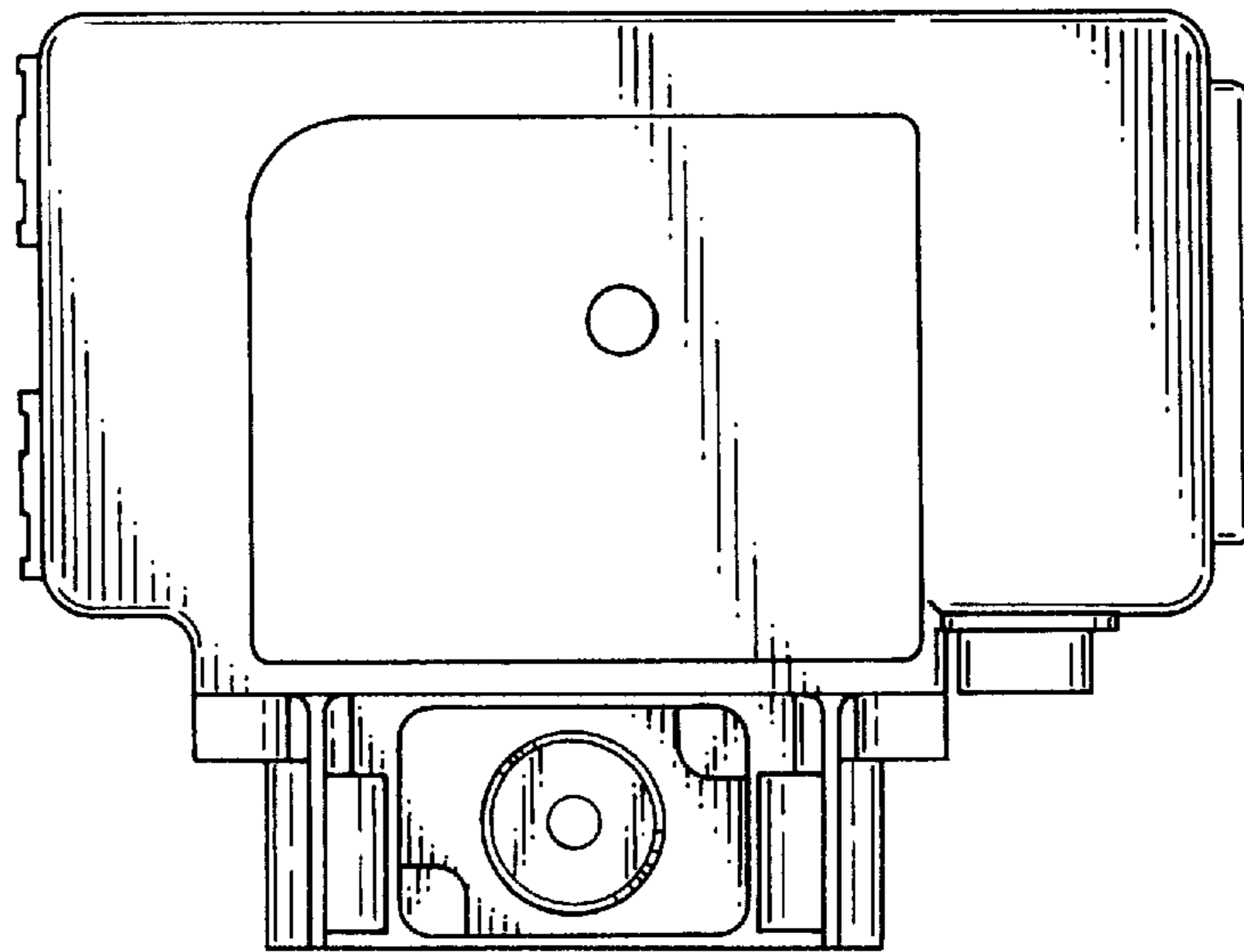


FIG. 6

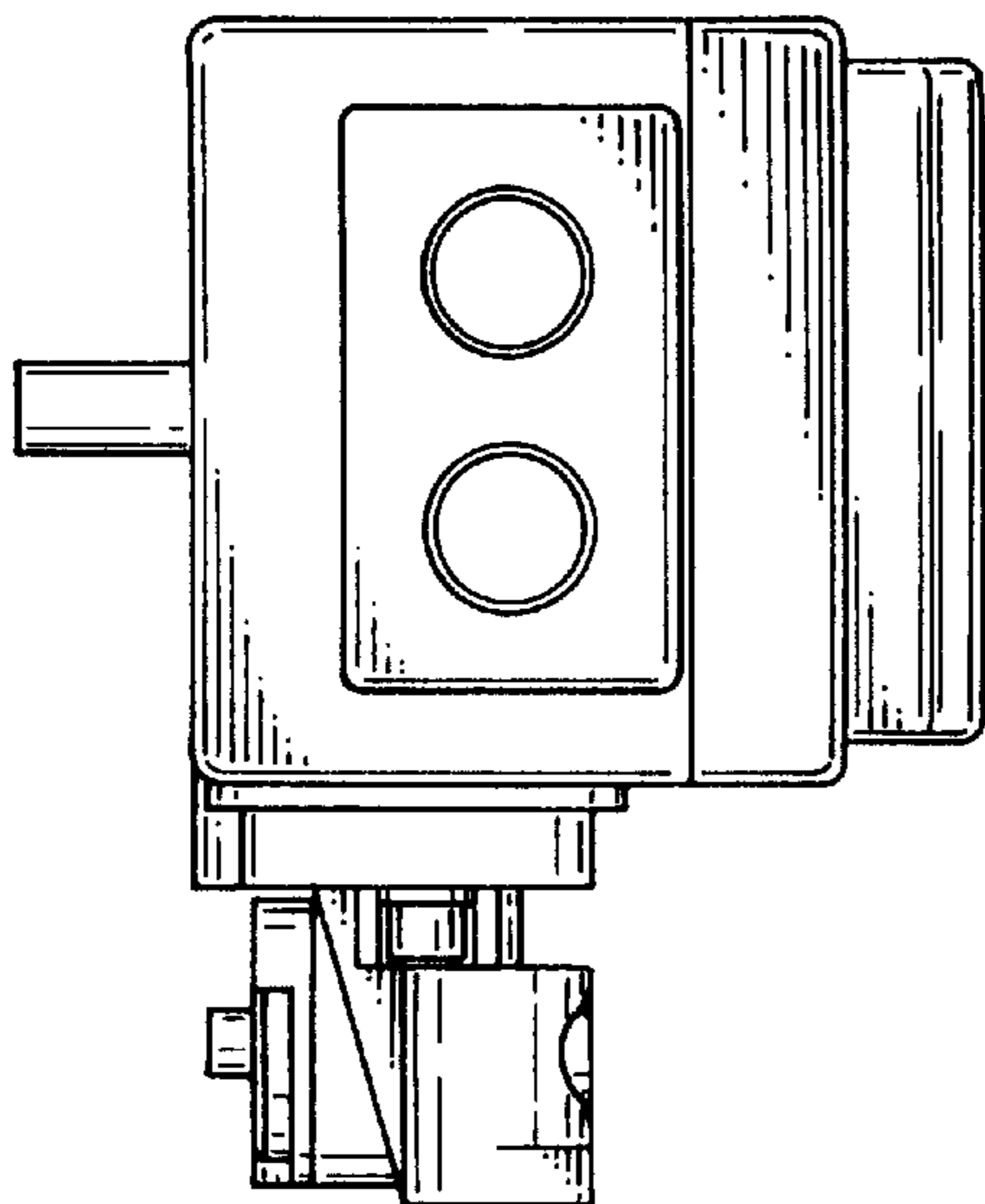


FIG. 7

