



US00D400219S

United States Patent [19]
Mercier

[11] **Patent Number: Des. 400,219**

[45] **Date of Patent: **Oct. 27, 1998**

[54] **TRAY FOR A HORIZONTAL COLLATING AND KITTING CAROUSEL**

[76] Inventor: **Paul D. Mercier**, 5 High St., Antrim, N.H. 03440

[**] Term: **14 Years**

[21] Appl. No.: **69,127**

[22] Filed: **Apr. 11, 1997**

[51] **LOC (6) Cl.** **15-09**

[52] **U.S. Cl.** **D15/145; D18/40; D19/92**

[58] **Field of Search** **D15/145, 199; D18/40; D14/114; D19/92; 206/219, 216, 574, 575, 449, 555, 556, 499, 503-513, 557-567; 211/133.3**

[56] **References Cited**

U.S. PATENT DOCUMENTS

3,182,811 5/1965 Bartlett et al. 211/133.3

Primary Examiner—Antoine Duval Davis
Attorney, Agent, or Firm—Vernon C. Maine, Esq.; Scott J. Asmus, Esq.

[57] **CLAIM**

The ornamental design for a tray for a horizontal collating and kitting carousel, as shown and described.

DESCRIPTION

FIG. 1 is a lower right-front perspective view of a tray for a horizontal collating and kitting carousel;

FIG. 2 is a top view thereof;

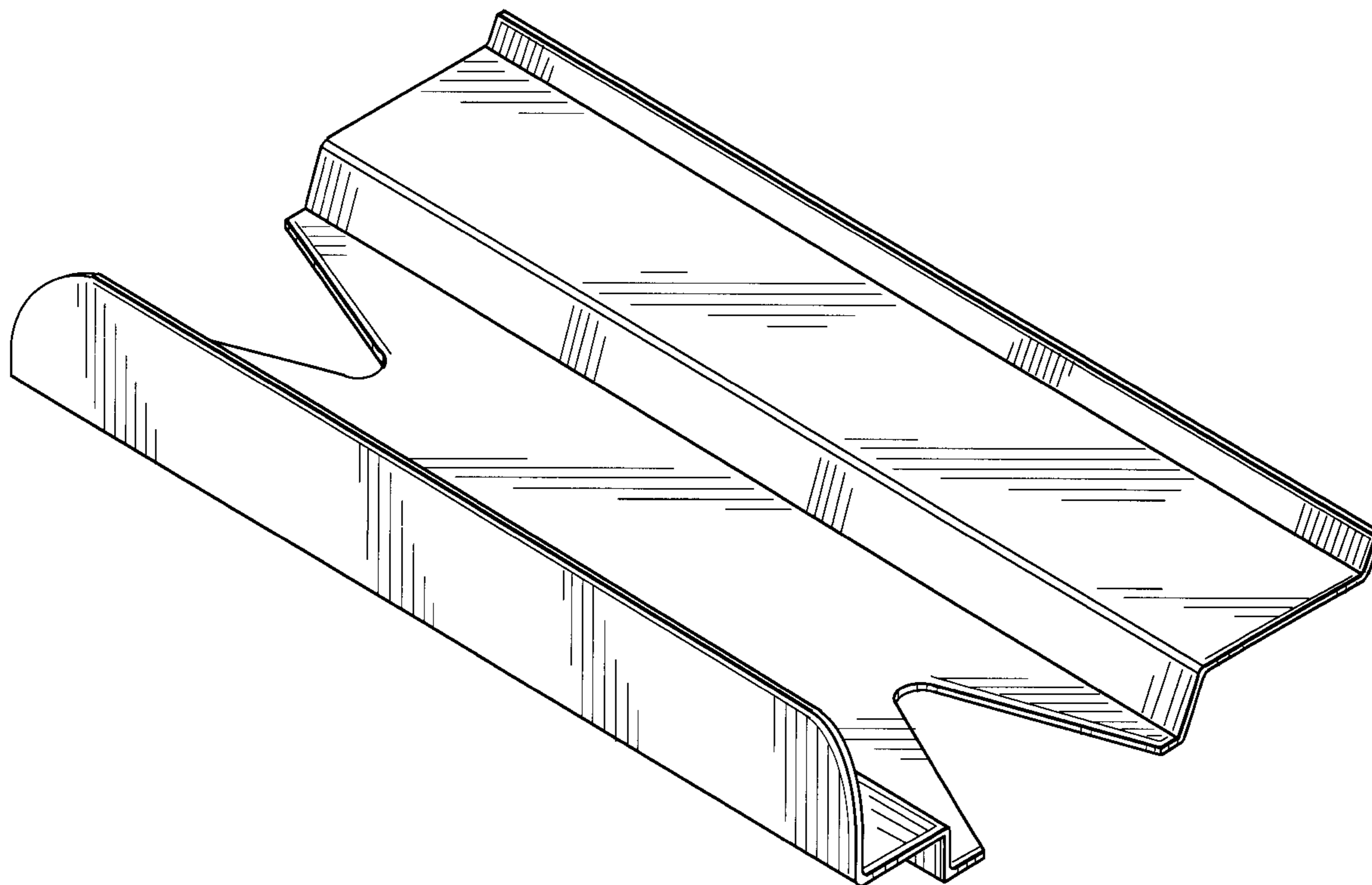
FIG. 3 is a bottom view thereof;

FIG. 4 is right side view thereof;

FIG. 5 is a front view thereof; and,

FIG. 6 is a rear view thereof.

1 Claim, 5 Drawing Sheets



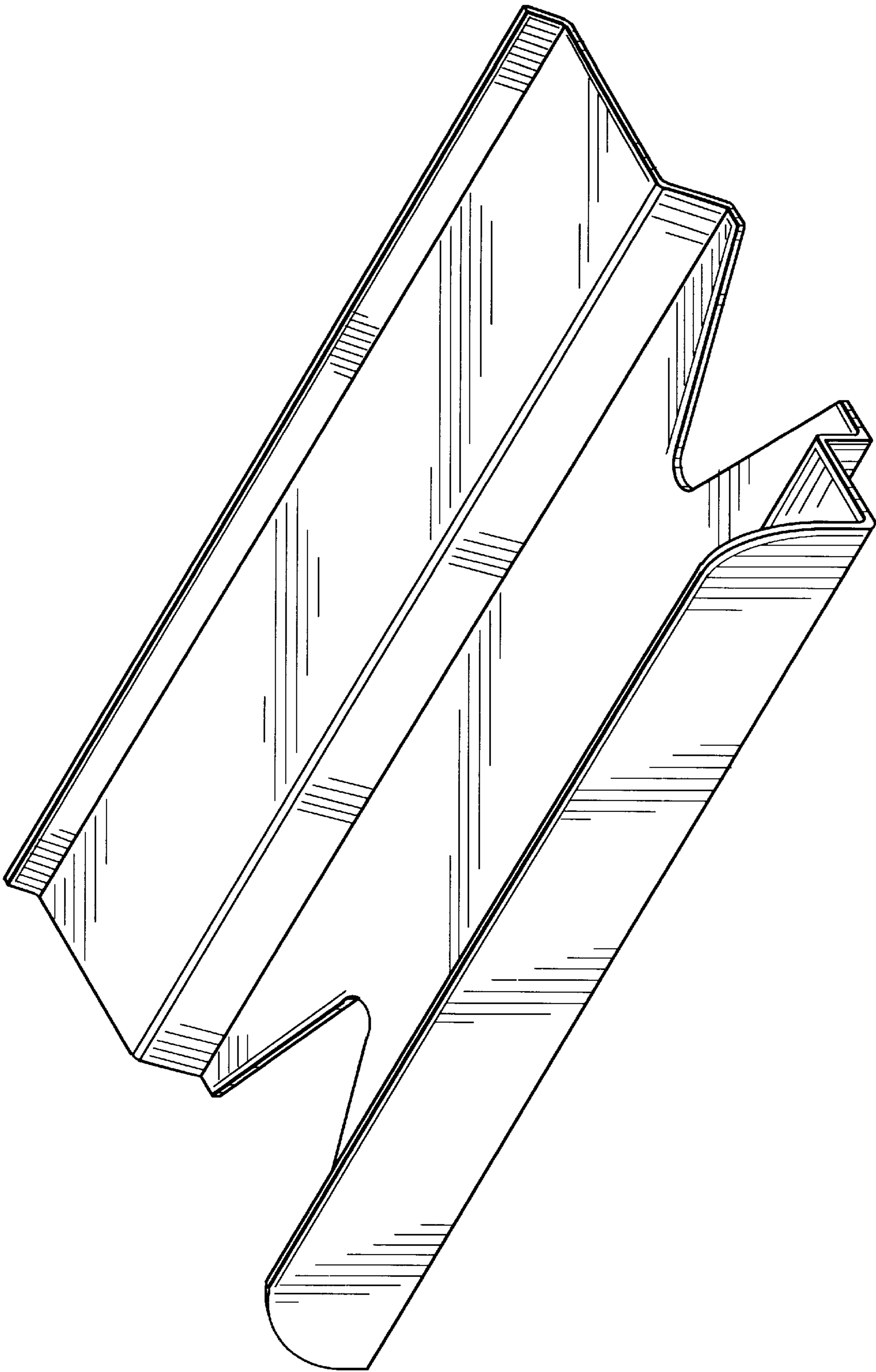


FIG. 1

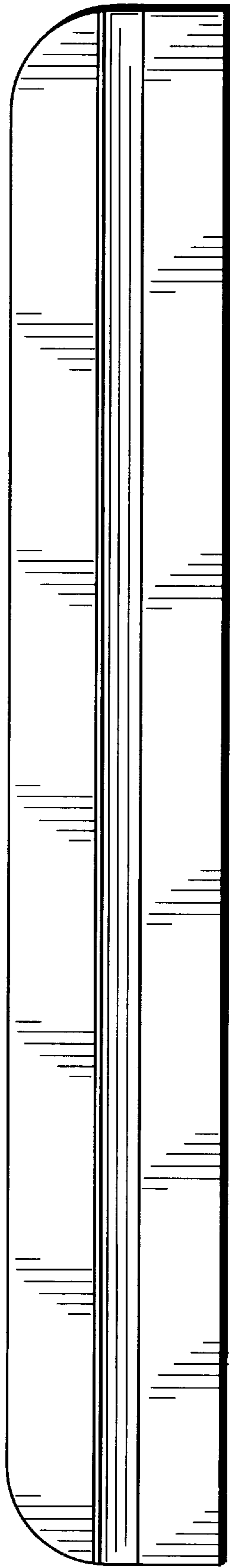


FIG. 2

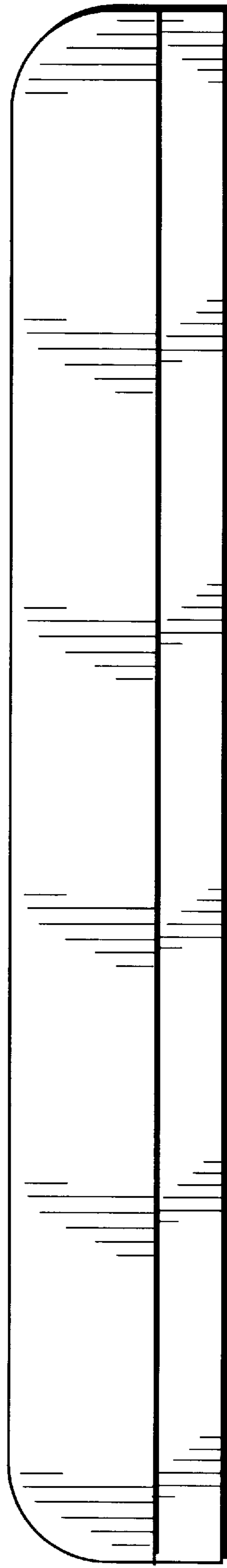


FIG. 3

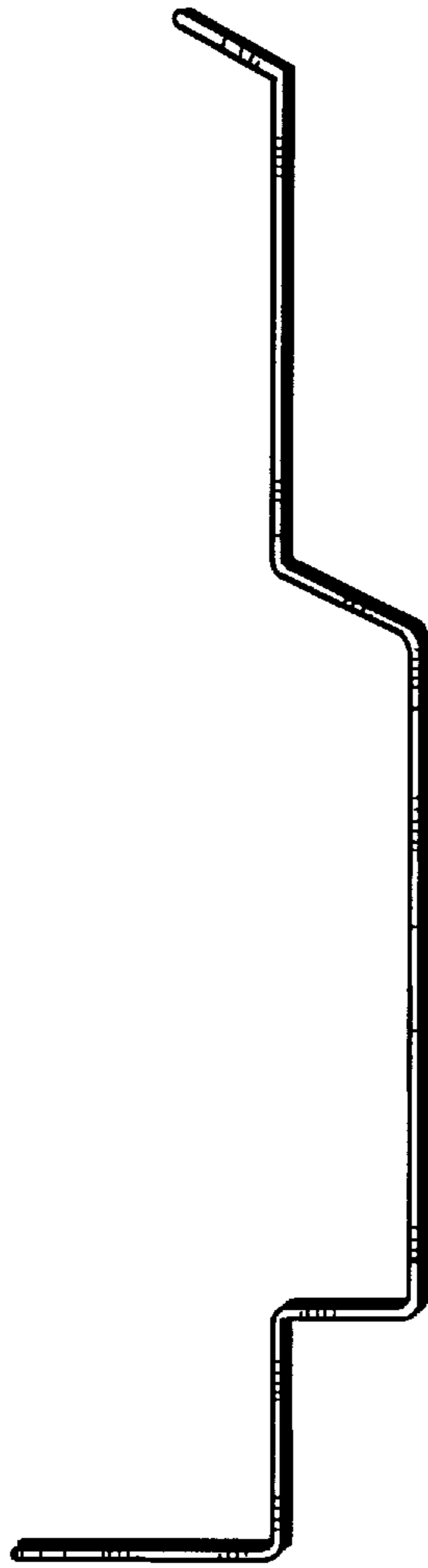


FIG. 4

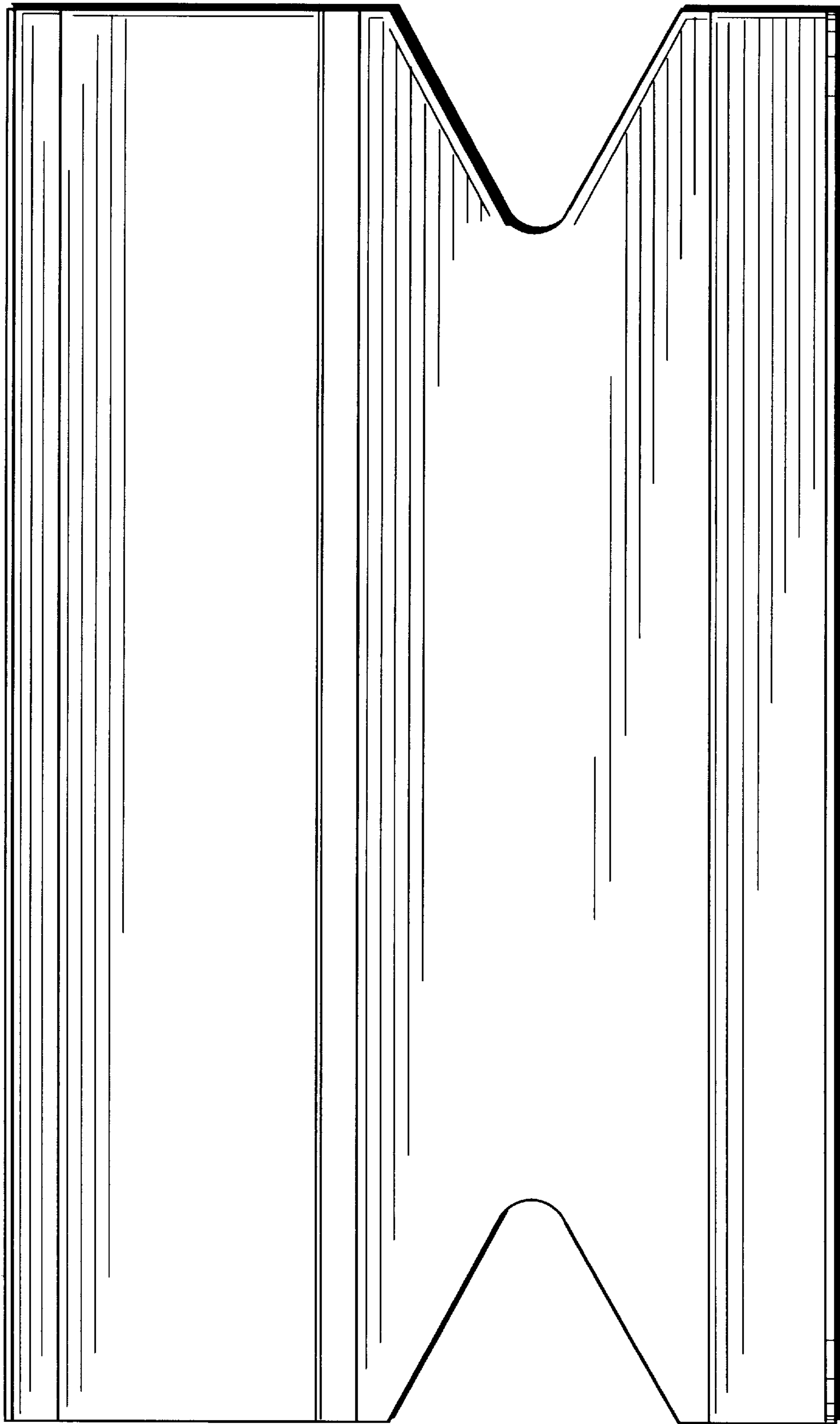


FIG. 5

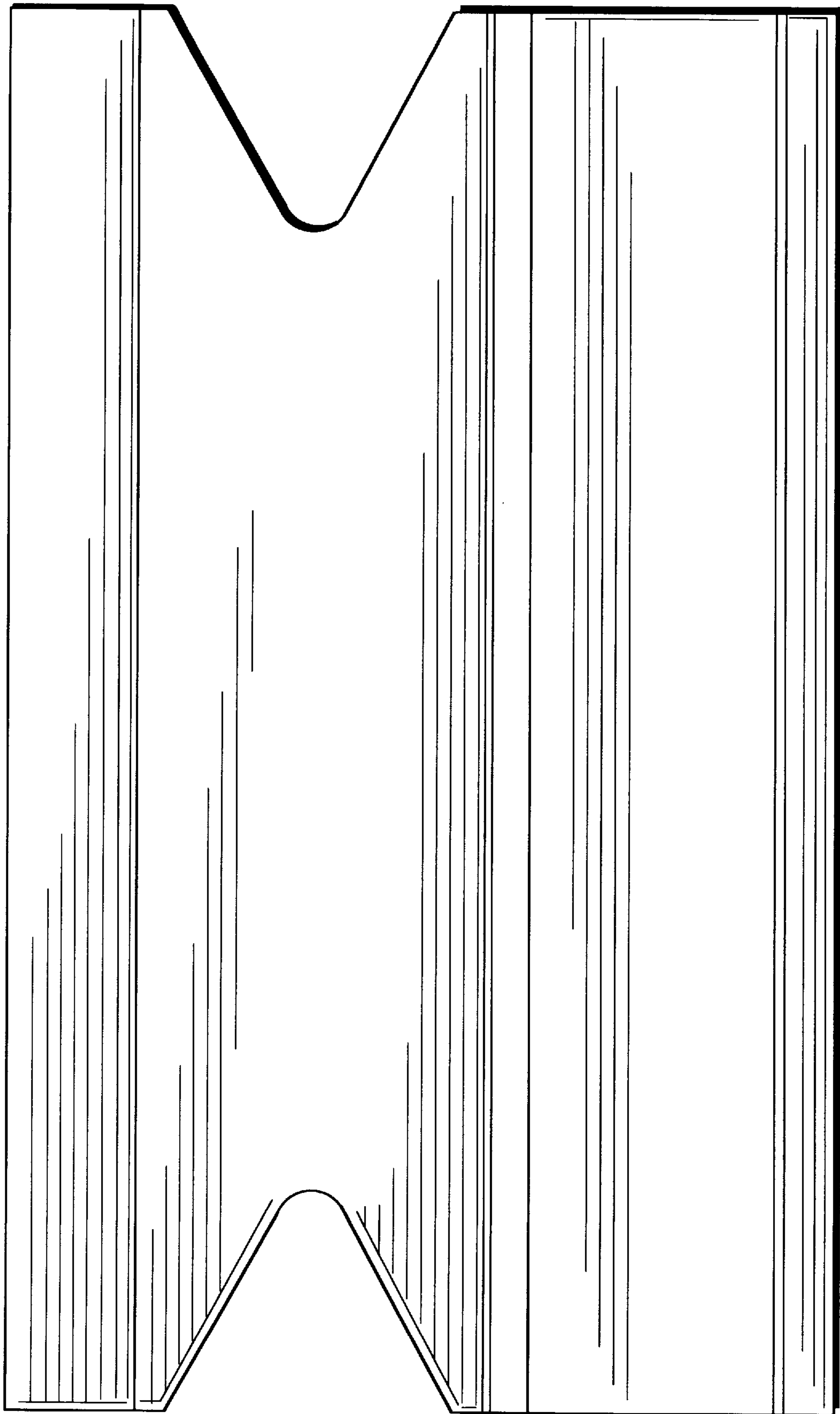


FIG. 6