

US00D400218S

**United States Patent** [19]  
**Thomas**

[11] **Patent Number: Des. 400,218**

[45] **Date of Patent: \*\*Oct. 27, 1998**

[54] **ULTRAVIOLET LAMP**

[75] Inventor: **Jonathan P. Thomas**, Maple Lake, Minn.

[73] Assignee: **TCG International, Inc.**, Burnaby, Canada

[\*\*] Term: **14 Years**

[21] Appl. No.: **60,608**

[22] Filed: **Oct. 2, 1996**

[51] **LOC (6) Cl.** ..... **15-09**

[52] **U.S. Cl.** ..... **D15/144**

[58] **Field of Search** ..... D15/199, 144,  
D15/144.1, 144.2; 156/94; 264/36; 425/11,  
12, 13

[56] **References Cited**

**U.S. PATENT DOCUMENTS**

3,988,400 10/1976 Luhman, III ..... 425/12  
5,234,325 8/1993 Hill ..... 425/12

**OTHER PUBLICATIONS**

Exhibit A Liquid Resins International, Ltd. Catalog, 21 pages, dated Apr. 1, 1992.

Exhibit B The Glass Mechanix® brochure entitled "A Clear Path to Your Future Success," 8 pages, undated.

Exhibit C Brochure entitled "BONDWand . . . The Light Source That Doesn't Leave You In The Dark," 2 pages, dated Sep. 1986.

Exhibit D Photographs of a Novus windshield repair ultraviolet curing lamp.

*Primary Examiner*—Antoine Duval Davis  
*Attorney, Agent, or Firm*—Merchant, Gould, Smith, Edell, Welter & Schmidt, P.A.

[57] **CLAIM**

The ornamental design for an ultraviolet lamp, as shown and described.

**DESCRIPTION**

FIG. 1 is a perspective view of an ultraviolet lamp showing my new design;

FIG. 2 is a front side elevational view thereof;

FIG. 3 is a rear side elevational view thereof;

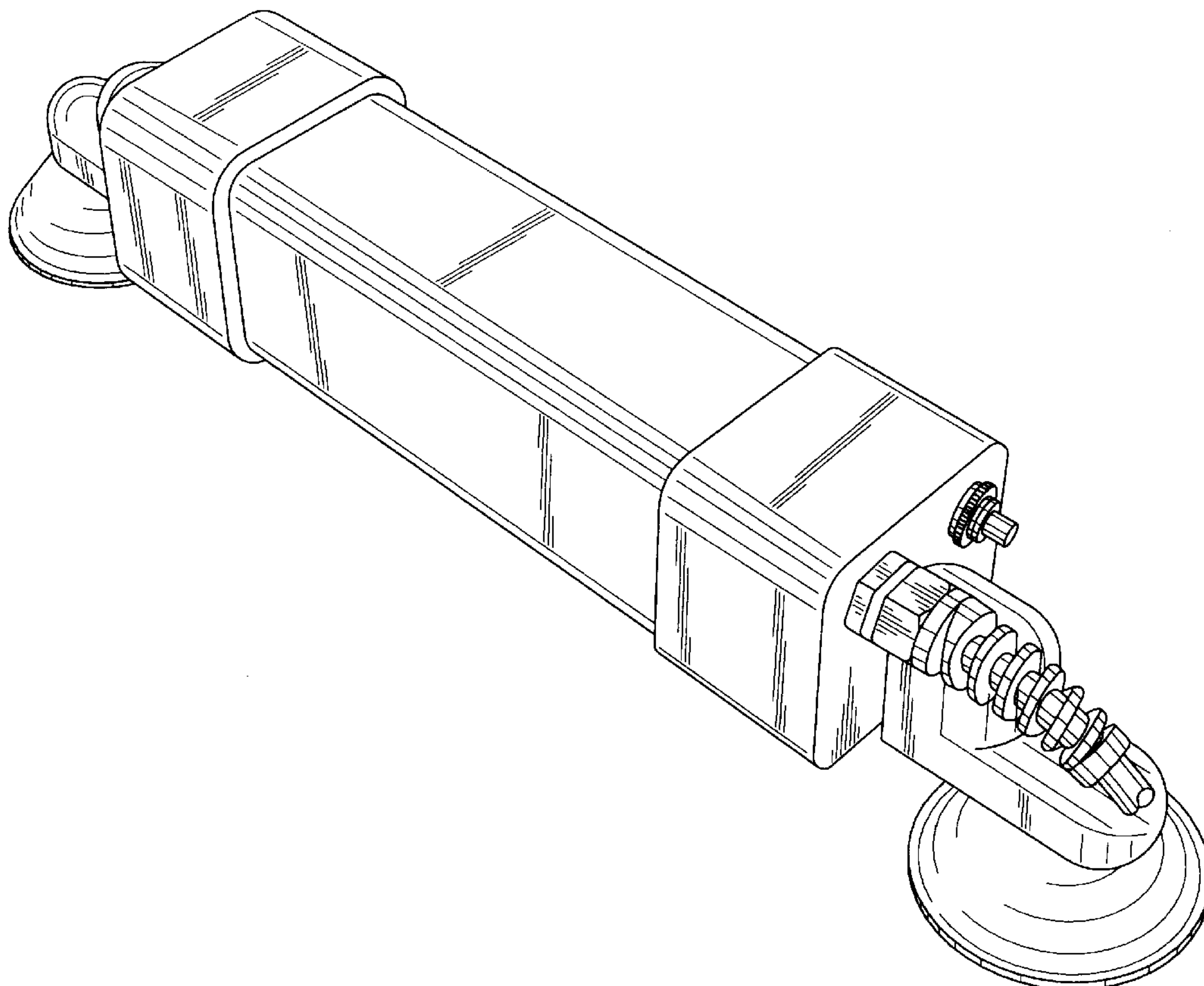
FIG. 4 is a top plan view thereof;

FIG. 5 is a bottom plan view thereof;

FIG. 6 is a left end elevational view thereof; and,

FIG. 7 is a right end elevational view thereof.

**1 Claim, 4 Drawing Sheets**



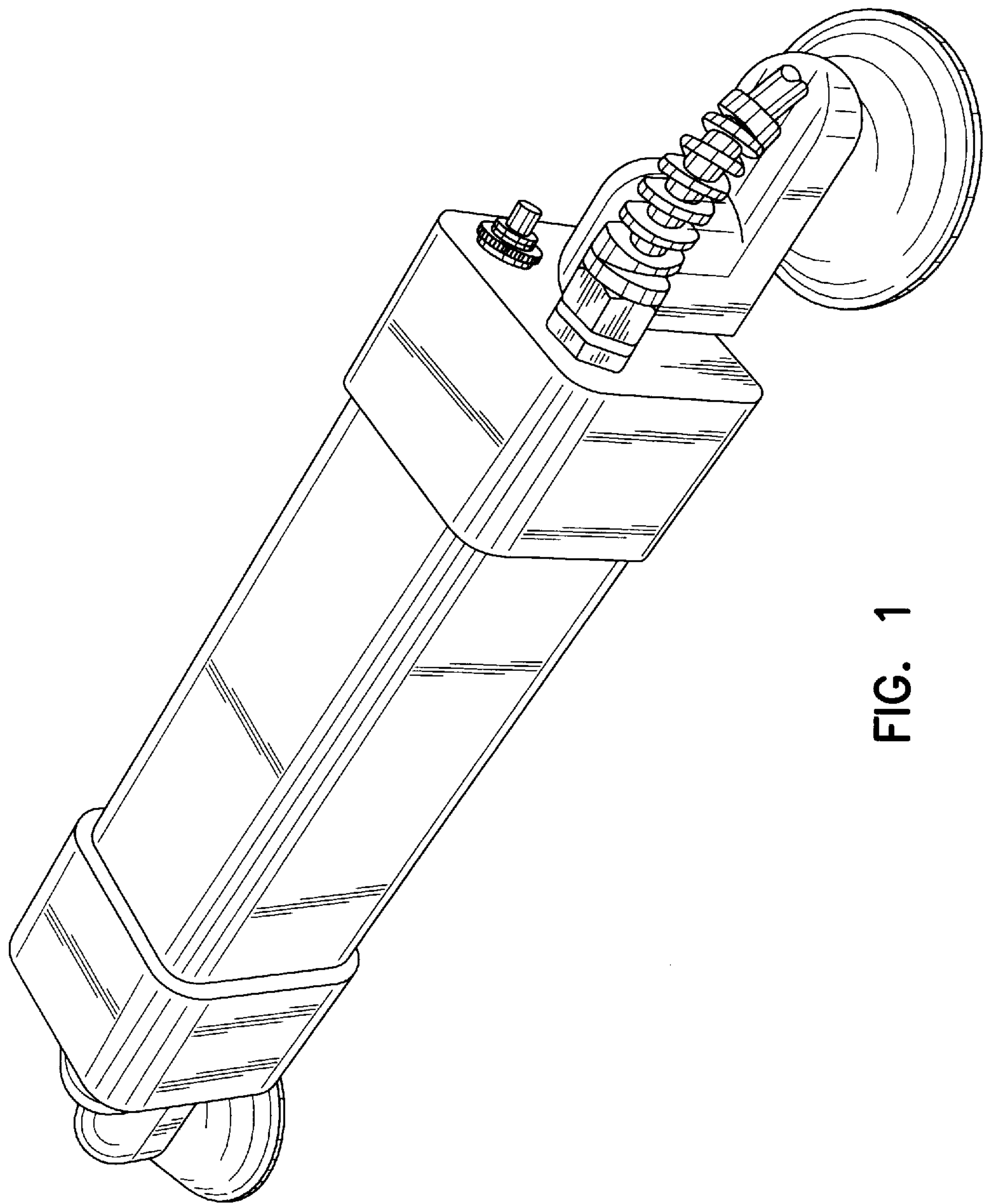


FIG. 1

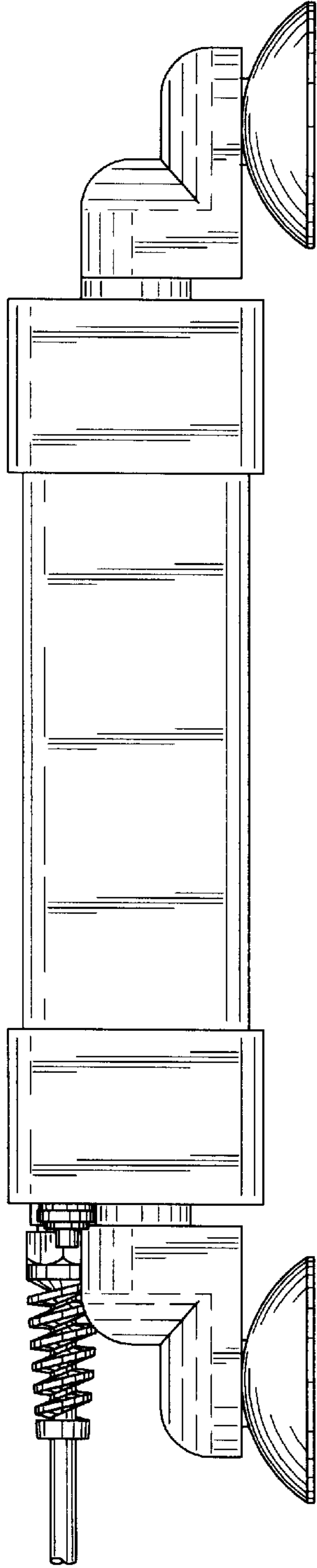


FIG. 2

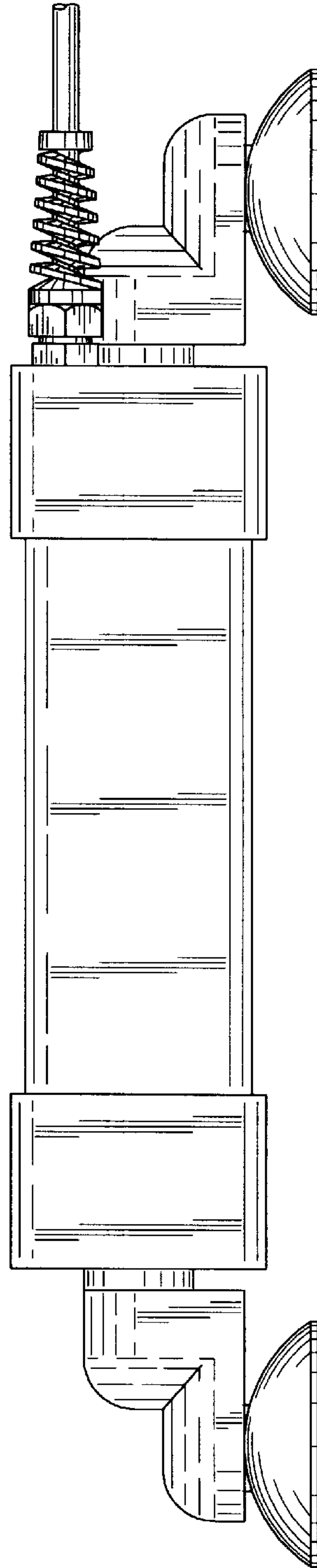


FIG. 3

FIG. 4

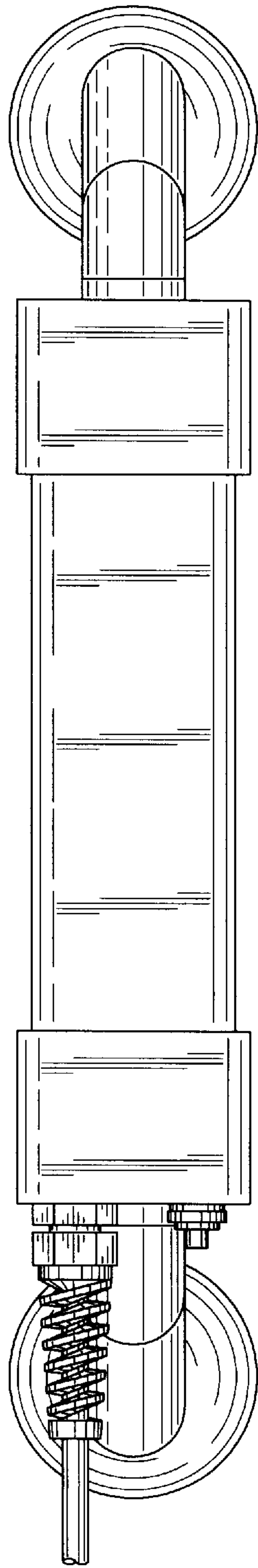


FIG. 5

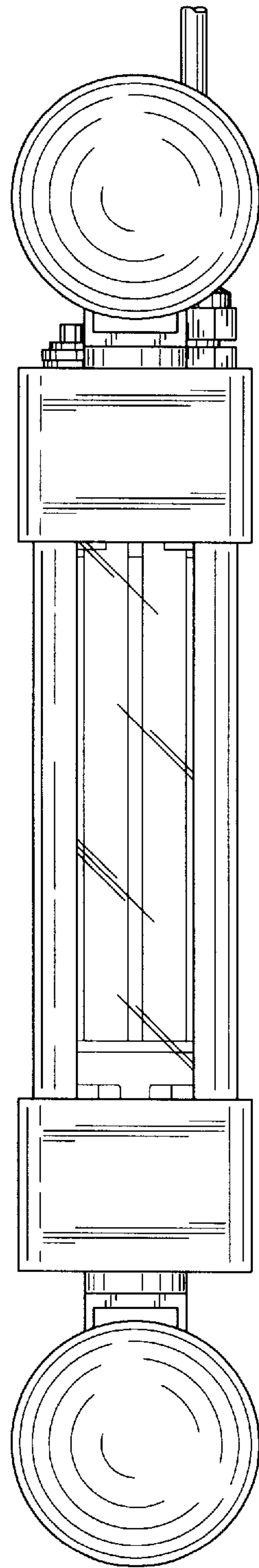


FIG. 7

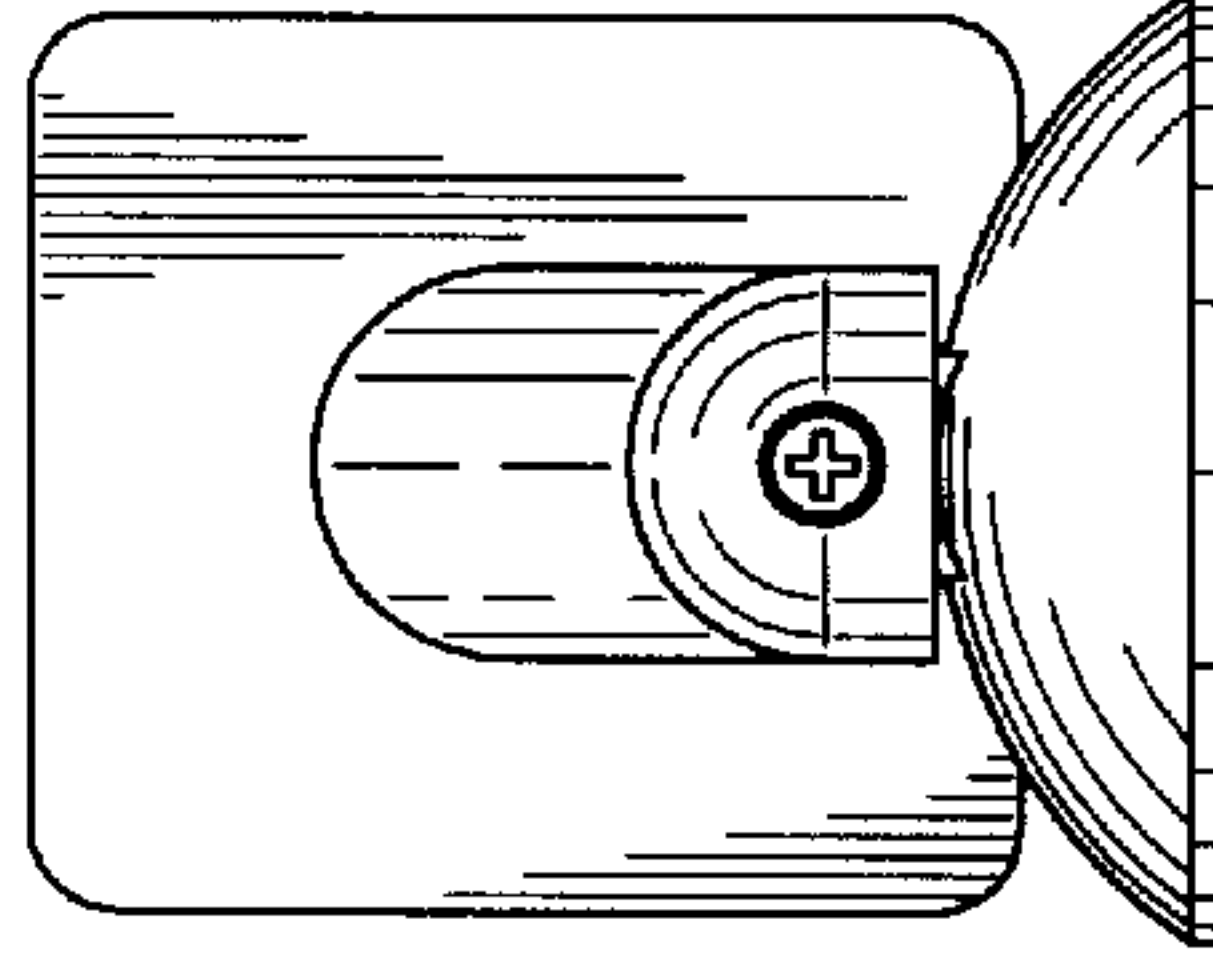


FIG. 6

